



US00D806760S

(12) **United States Design Patent**  
**Bentley**

(10) **Patent No.:** **US D806,760 S**

(45) **Date of Patent:** **\*\* Jan. 2, 2018**

- (54) **TOOL CARRIER FOR MOUNTING ON A THREE-POINT HITCH**
- (71) Applicant: **Earth & Turf Products, LLC**, New Holland, PA (US)
- (72) Inventor: **John A. Bentley**, Manheim, PA (US)
- (73) Assignee: **Earth & Turf Products, LLC**, New Holland, PA (US)
- (\*\*) Term: **15 Years**
- (21) Appl. No.: **29/565,624**
- (22) Filed: **May 23, 2016**
- (51) **LOC (11) Cl.** ..... **15-03**
- (52) **U.S. Cl.**  
USPC ..... **D15/30**
- (58) **Field of Classification Search**  
USPC ..... D15/17, 27, 28, 30, 138, 140  
CPC ..... A01B 13/02; A01B 13/08; A01B 51/026;  
E02F 3/325; E02F 3/964; E02F 9/2025  
See application file for complete search history.

- D538,305 S \* 3/2007 Smith ..... D15/30
- 7,410,004 B2 \* 8/2008 Meier ..... A01B 51/026  
172/450
- D646,304 S \* 10/2011 Pickett ..... D15/28
- 8,382,419 B2 \* 2/2013 Agoncillo ..... B66F 5/04  
414/546
- D708,411 S \* 7/2014 Schnautz ..... D34/14
- 9,605,407 B2 \* 3/2017 Penner ..... E02F 5/027

\* cited by examiner

*Primary Examiner* — Patricia A Palasik  
(74) *Attorney, Agent, or Firm* — Miller Law Group, PLLC

(57) **CLAIM**

The ornamental design for a tool carrier for mounting on a three-point hitch, as shown and described.

**DESCRIPTION**

FIG. 1 is a left side elevational view of the tool carrier incorporating the principles of the instant invention; FIG. 2 is a right side elevational view of the tool carrier shown in FIG. 1; FIG. 3 is a top plan view thereof; FIG. 4 is a bottom plan view thereof; FIG. 5 is a front elevational view thereof; FIG. 6 is a rear elevational view thereof; FIG. 7 is a left rear perspective view thereof; FIG. 8 is a right rear perspective view thereof; and, FIG. 9 is a representative right side elevational view of the tool carrier mounted on the three-point hitch of a tractor shown in side elevation, the tractor and the three-point hitch shown in broken lines and are not part of the design. Optional feet members in either fixed or adjustable length configurations are shown in broken lines throughout the drawing figures and are not to be considered part of the design.

**1 Claim, 6 Drawing Sheets**

(56) **References Cited**

U.S. PATENT DOCUMENTS

- 3,437,061 A \* 4/1969 Wells ..... A01B 39/12  
111/118
- 3,578,089 A \* 5/1971 Fischer ..... A01B 59/048  
172/484
- 3,830,311 A \* 8/1974 Bryson ..... A01B 39/24  
134/57 R
- 4,126,189 A \* 11/1978 Channel ..... A01B 73/044  
172/456
- 4,494,325 A \* 1/1985 Berthollet ..... A01G 23/043  
111/101
- 4,576,238 A \* 3/1986 Spencer ..... A01B 73/065  
172/311
- 5,579,847 A \* 12/1996 Postema ..... A01B 45/02  
172/21
- D527,027 S \* 8/2006 Smith ..... D15/24

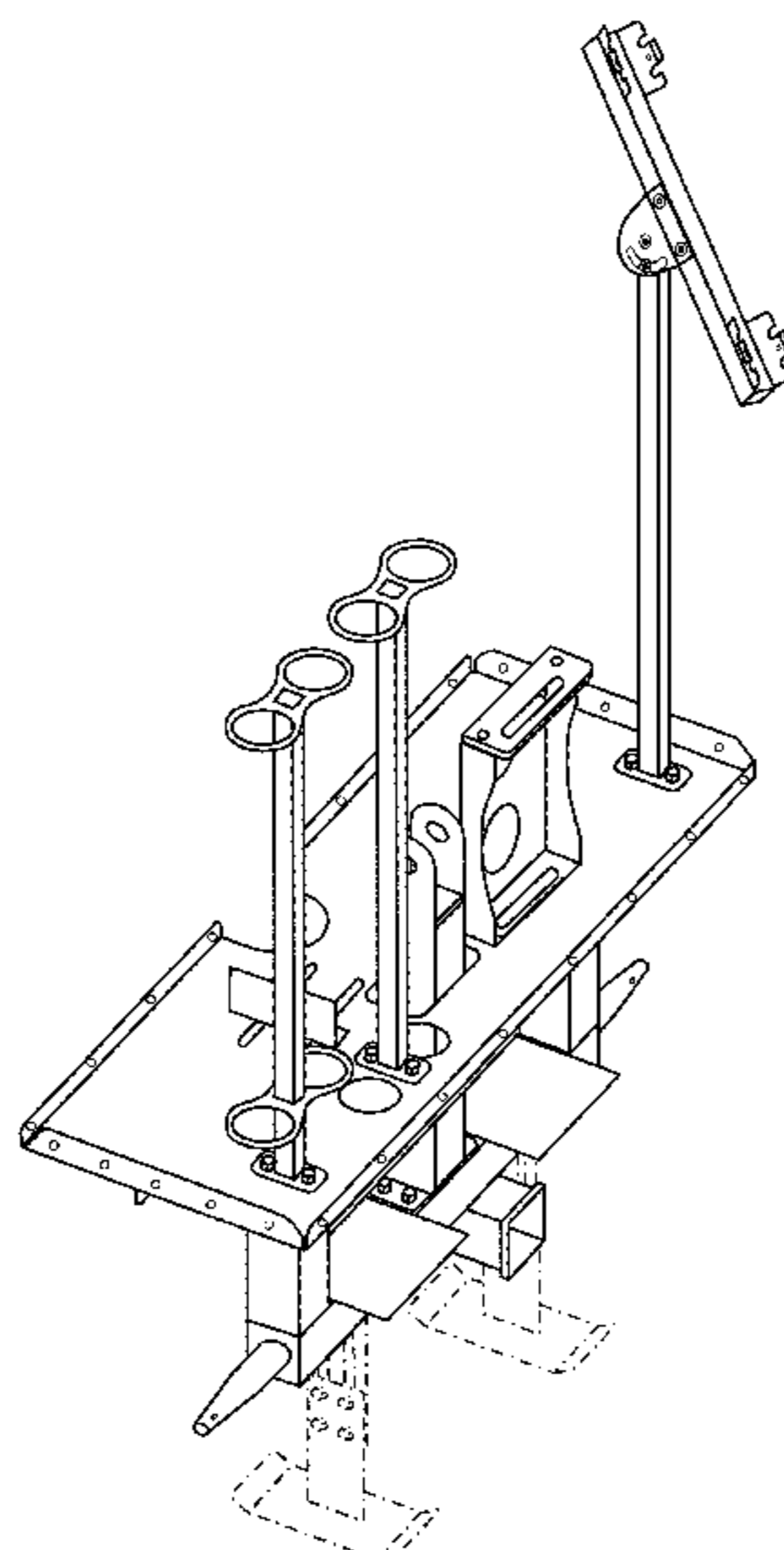


Fig. 1

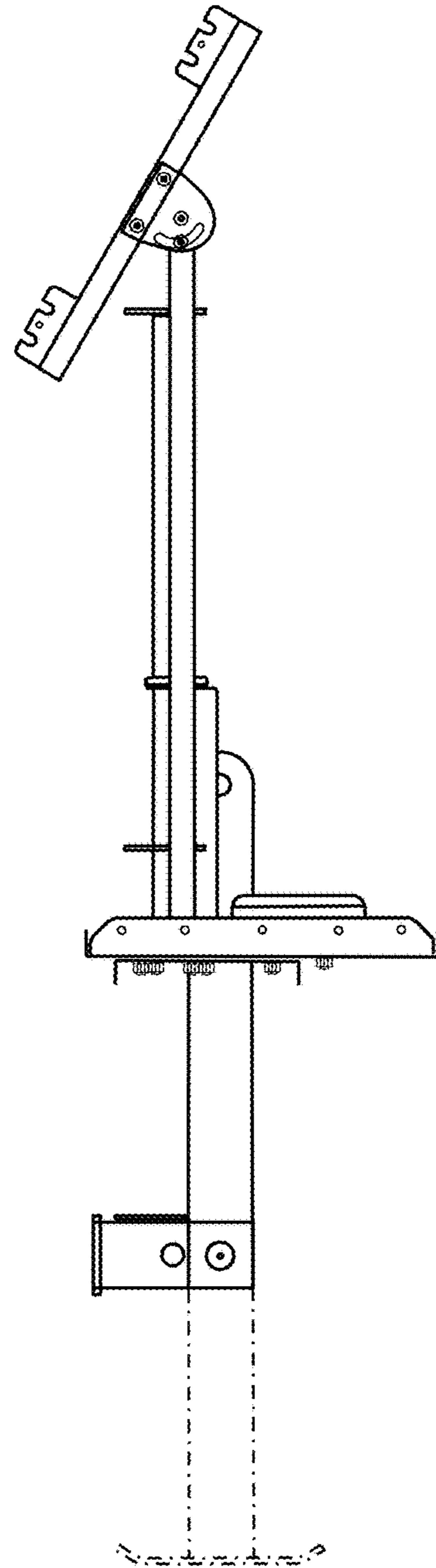
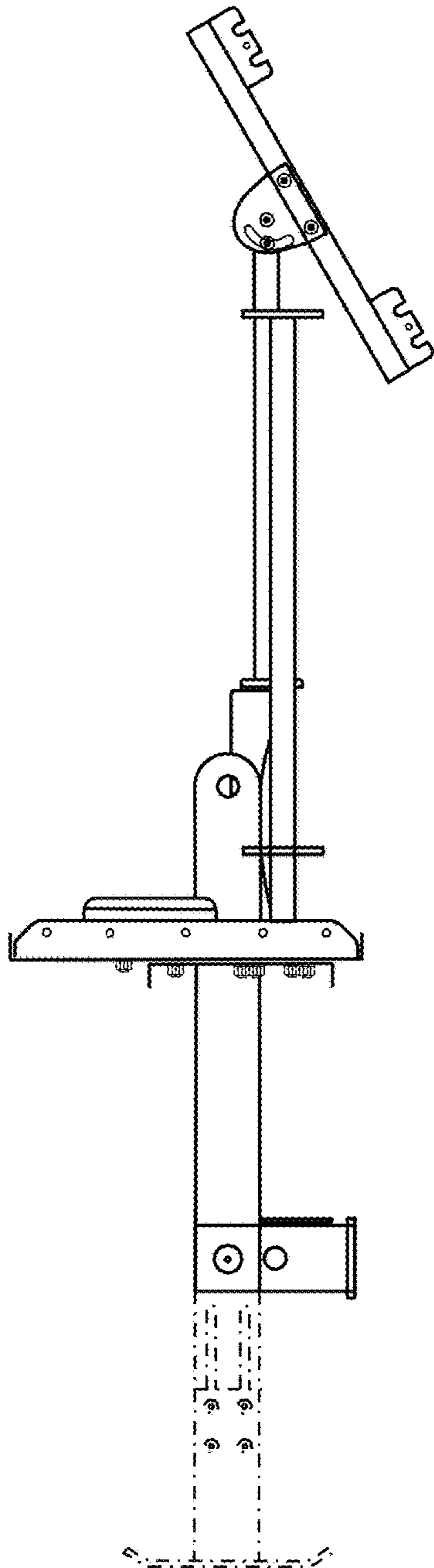


Fig. 2

Fig. 3

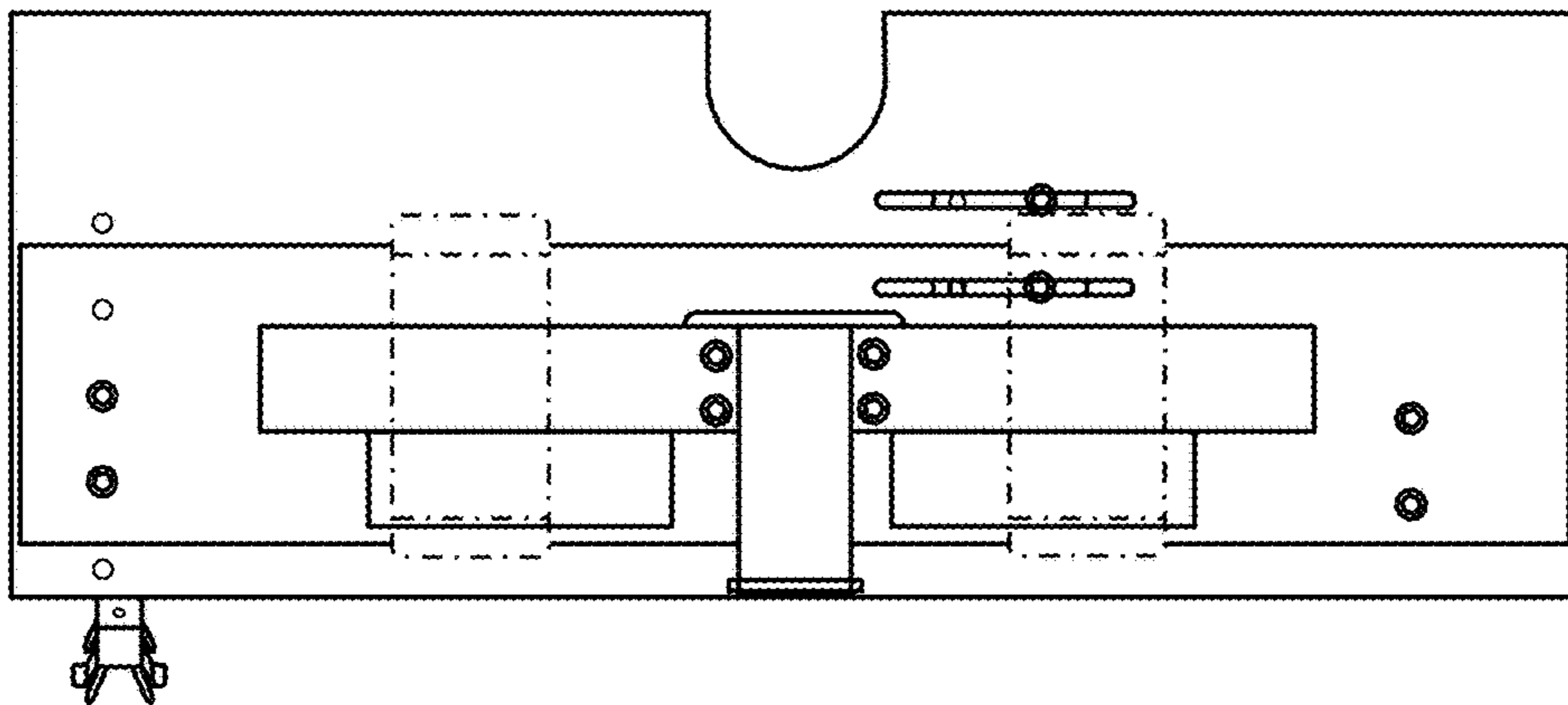
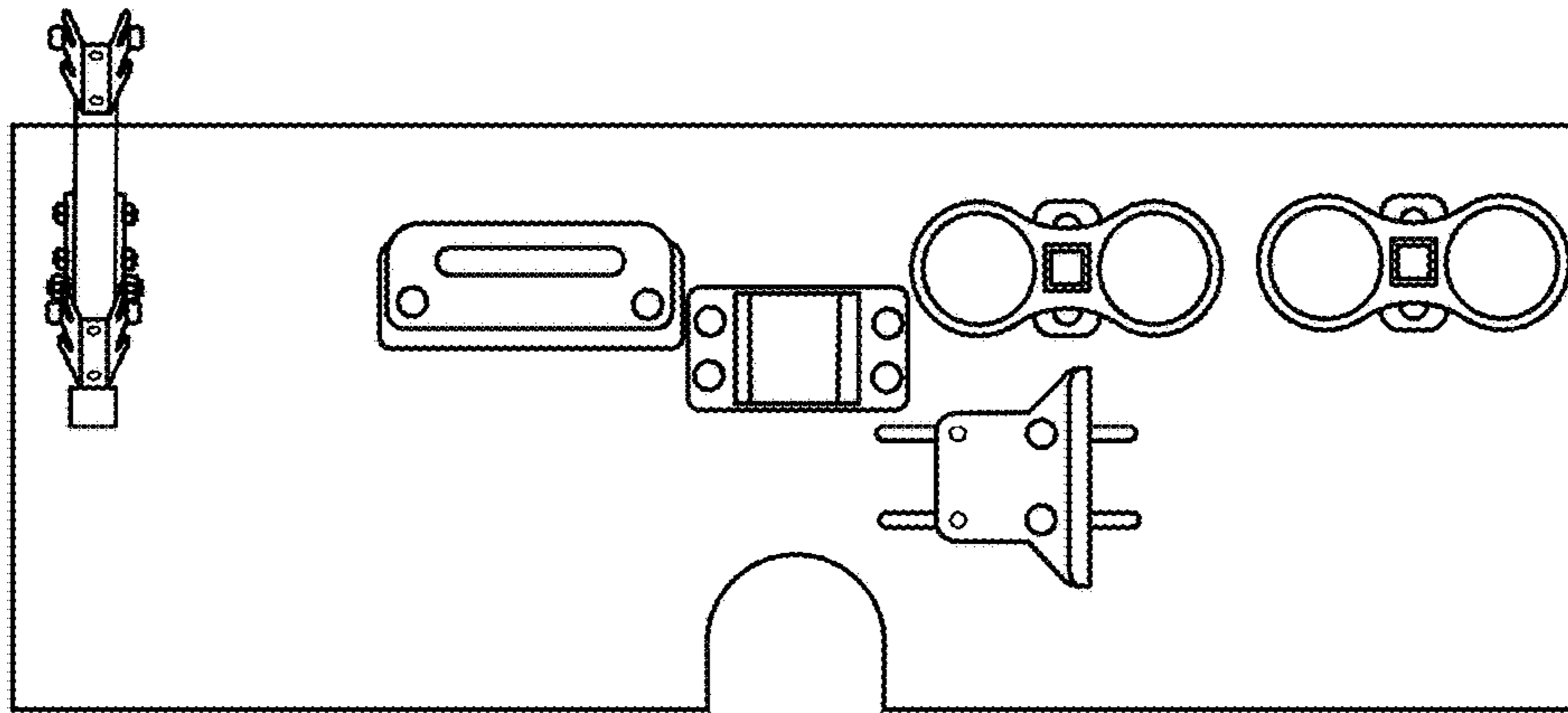


Fig. 4

Fig. 5

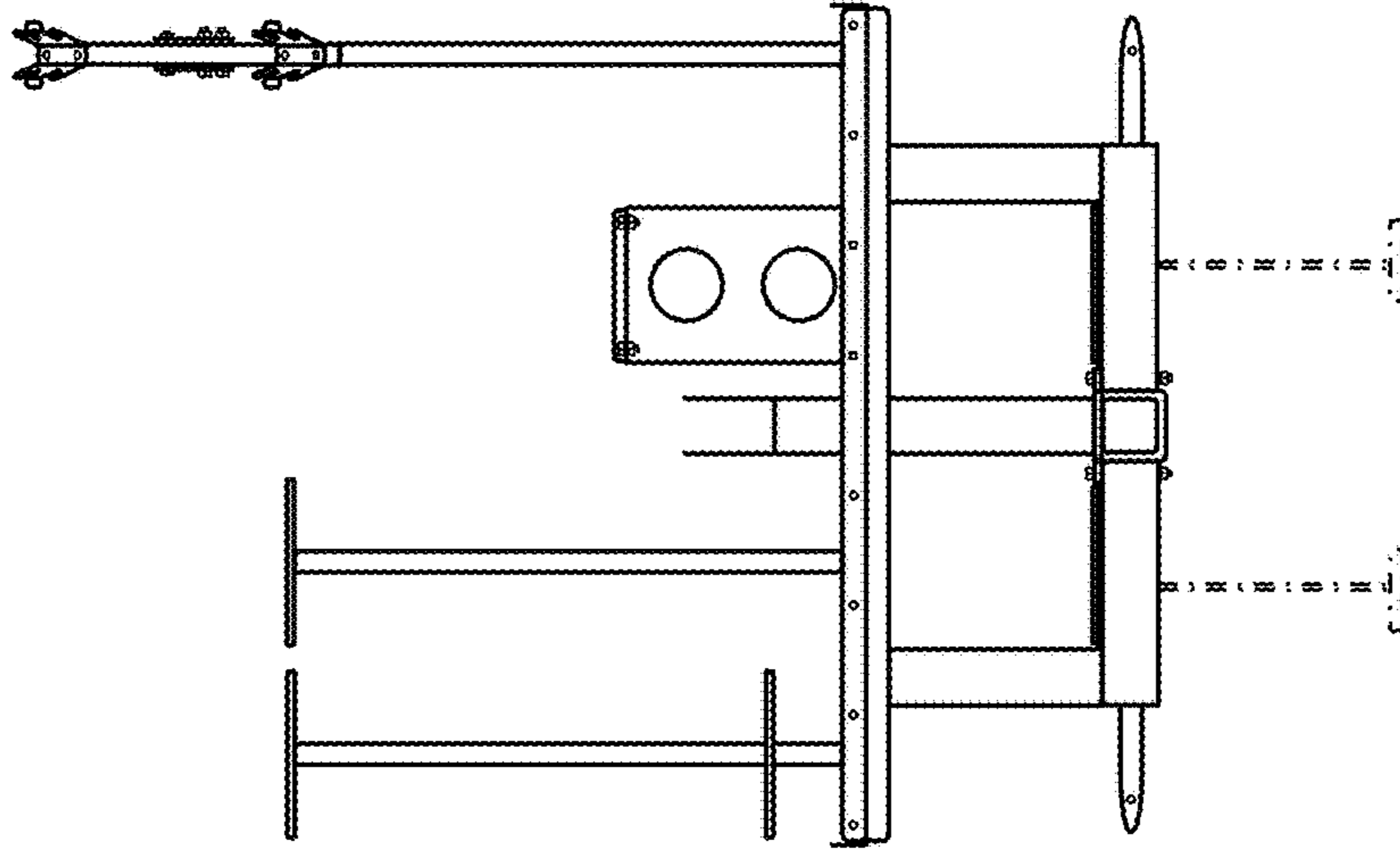
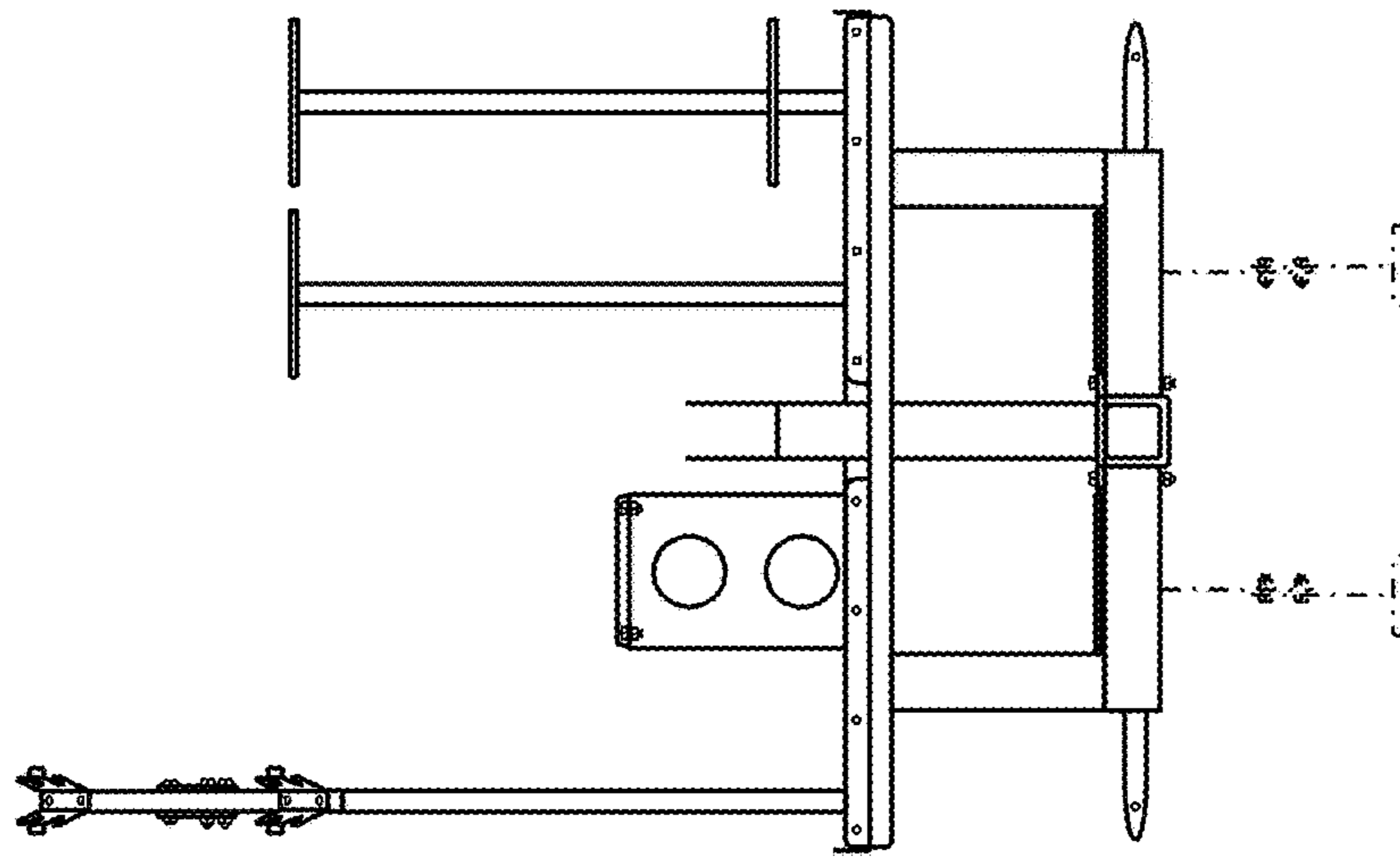


Fig. 6

Fig. 7

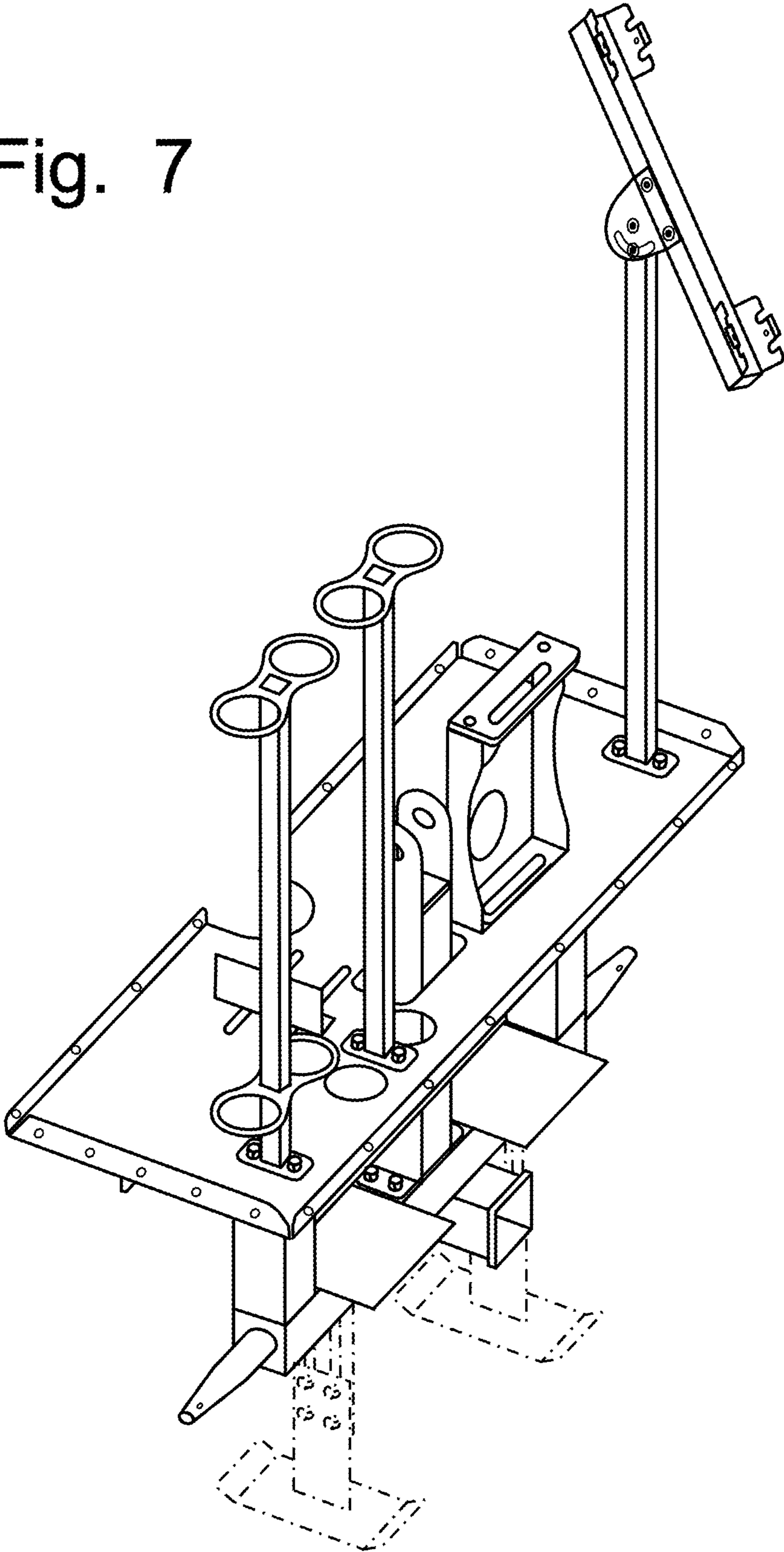




Fig. 8

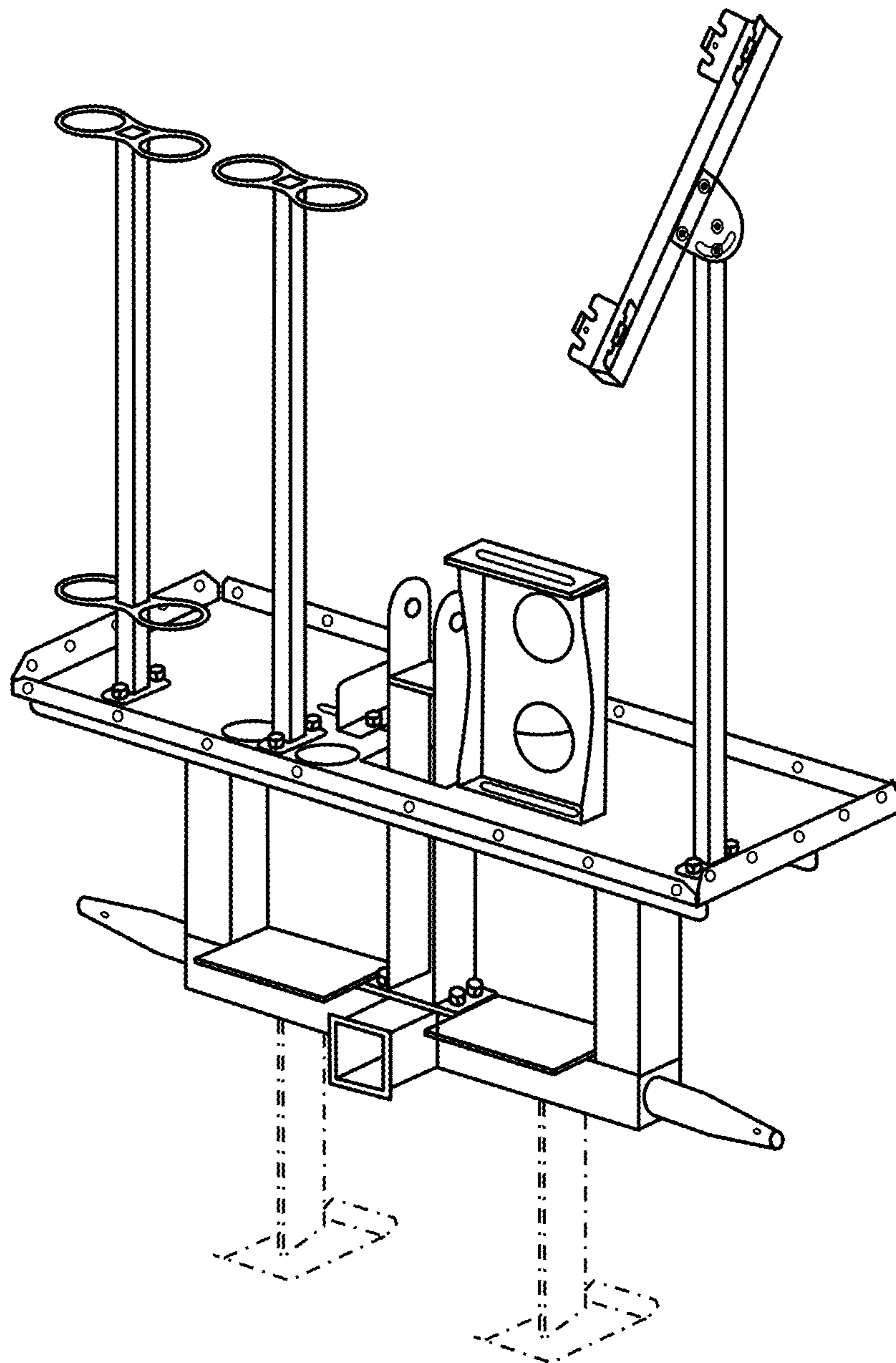


Fig. 9

