



US00D806757S

(12) **United States Design Patent**
Wood

(10) **Patent No.:** **US D806,757 S**

(45) **Date of Patent:** **** Jan. 2, 2018**

(54) **COMPRESSOR**

(71) Applicant: **Wood Industries Inc.**, Belmont, MS
(US)

(72) Inventor: **Jeffery O. Wood**, Belmont, MS (US)

(73) Assignee: **Wood Industries Inc.**, Belmont, MS
(US)

(**) Term: **15 Years**

(21) Appl. No.: **29/582,911**

(22) Filed: **Oct. 31, 2016**

(51) **LOC (11) Cl.** **15-02**

(52) **U.S. Cl.**
USPC **D15/9**

(58) **Field of Classification Search**
USPC D15/7-9; D23/231, 232, 225; 417/60,
417/235, 265, 321, 355, 358, 363, 359,
417/410.1, 415-416, 405, 900, 269, 539,
417/234; 60/408, 412; 184/26-37;
415/140-147; 123/495, 509; 137/565.34
CPC F02M 37/04; F02M 37/14; F04B 53/92;
F04B 1/005
See application file for complete search history.

(56) **References Cited**

U.S. PATENT DOCUMENTS

- 4,077,747 A * 3/1978 Burenga F04B 35/06
417/234
- D352,293 S * 11/1994 Morgan D15/7
- D446,792 S * 8/2001 Matthew D15/9
- D511,782 S * 11/2005 Hosking D15/9
- D519,126 S * 4/2006 Leasure D15/9
- D535,309 S * 1/2007 Breecham D15/9
- D546,840 S * 7/2007 Sindere D15/9

- D562,851 S * 2/2008 Leasure D15/9
- D576,512 S * 9/2008 Leasure D15/7
- D589,065 S * 3/2009 Leasure D15/9
- D589,066 S * 3/2009 Leasure D15/9
- D636,409 S * 4/2011 Wilmes D15/9
- D637,211 S * 5/2011 Parks D15/9
- D645,059 S * 9/2011 Hernandez D15/9

* cited by examiner

Primary Examiner — Ralf Seifert

(74) *Attorney, Agent, or Firm* — Waller Lansden Dortch
& Davis, LLP

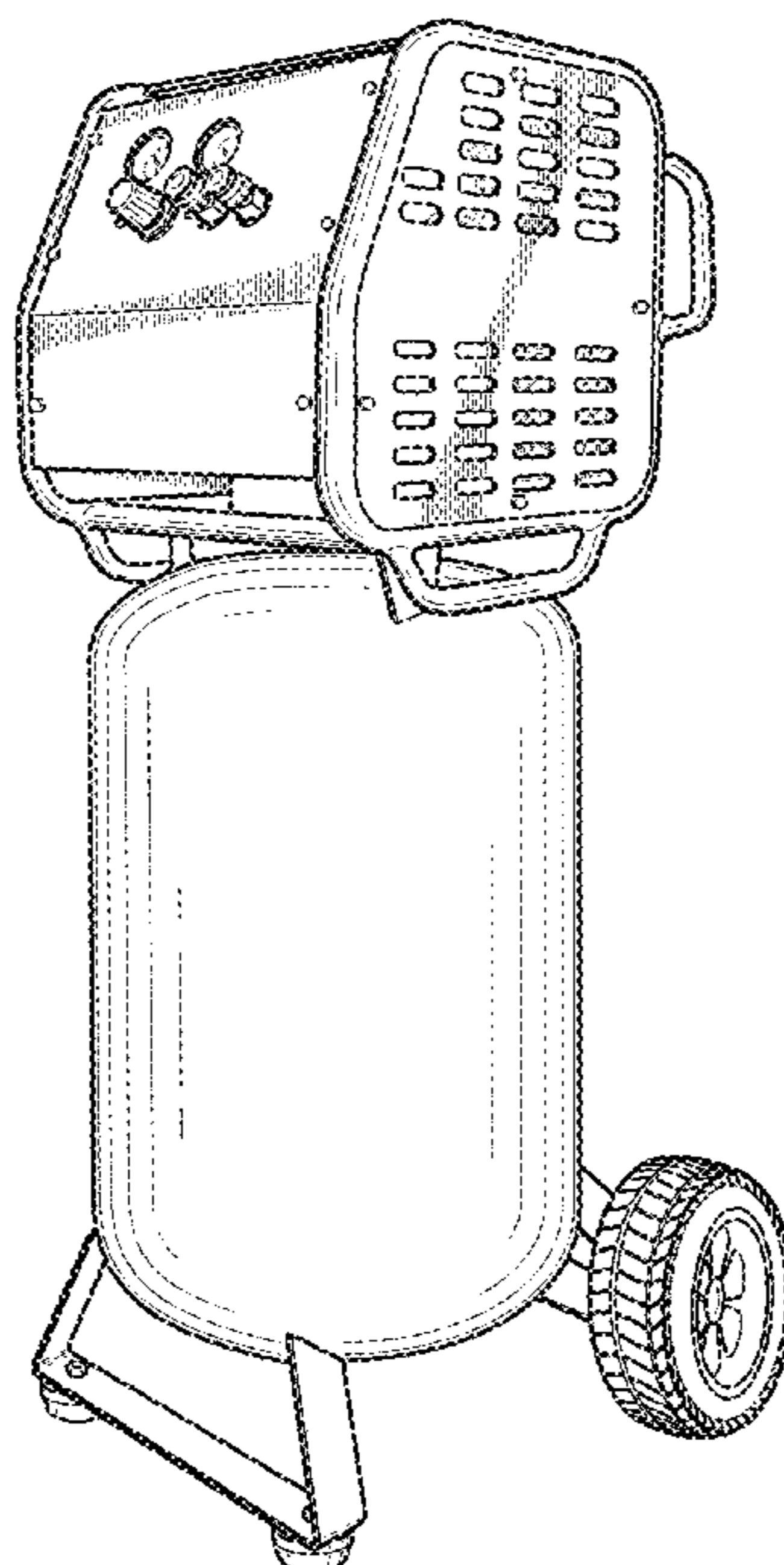
(57) **CLAIM**

What is claimed is the ornamental design for a “compressor,” as shown and described.

DESCRIPTION

FIG. 1 is a left front perspective view of the “compressor” of Applicant’s invention.
 FIG. 2 is a right front perspective view of the “compressor” of Applicant’s invention.
 FIG. 3 is a right side elevation view of the “compressor” of Applicant’s invention.
 FIG. 4 is a left side elevation view of the “compressor” of Applicant’s invention.
 FIG. 5 is a front elevation view of the “compressor” of Applicant’s invention.
 FIG. 6 is a back elevation view of the “compressor” of Applicant’s invention.
 FIG. 7 is a top view of the “compressor” of Applicant’s invention; and,
 FIG. 8 is a bottom view of the “compressor” of Applicant’s invention.
 The broken lines are included for the purpose of illustrating portions of the compressor that form no part of the claimed design.

1 Claim, 8 Drawing Sheets



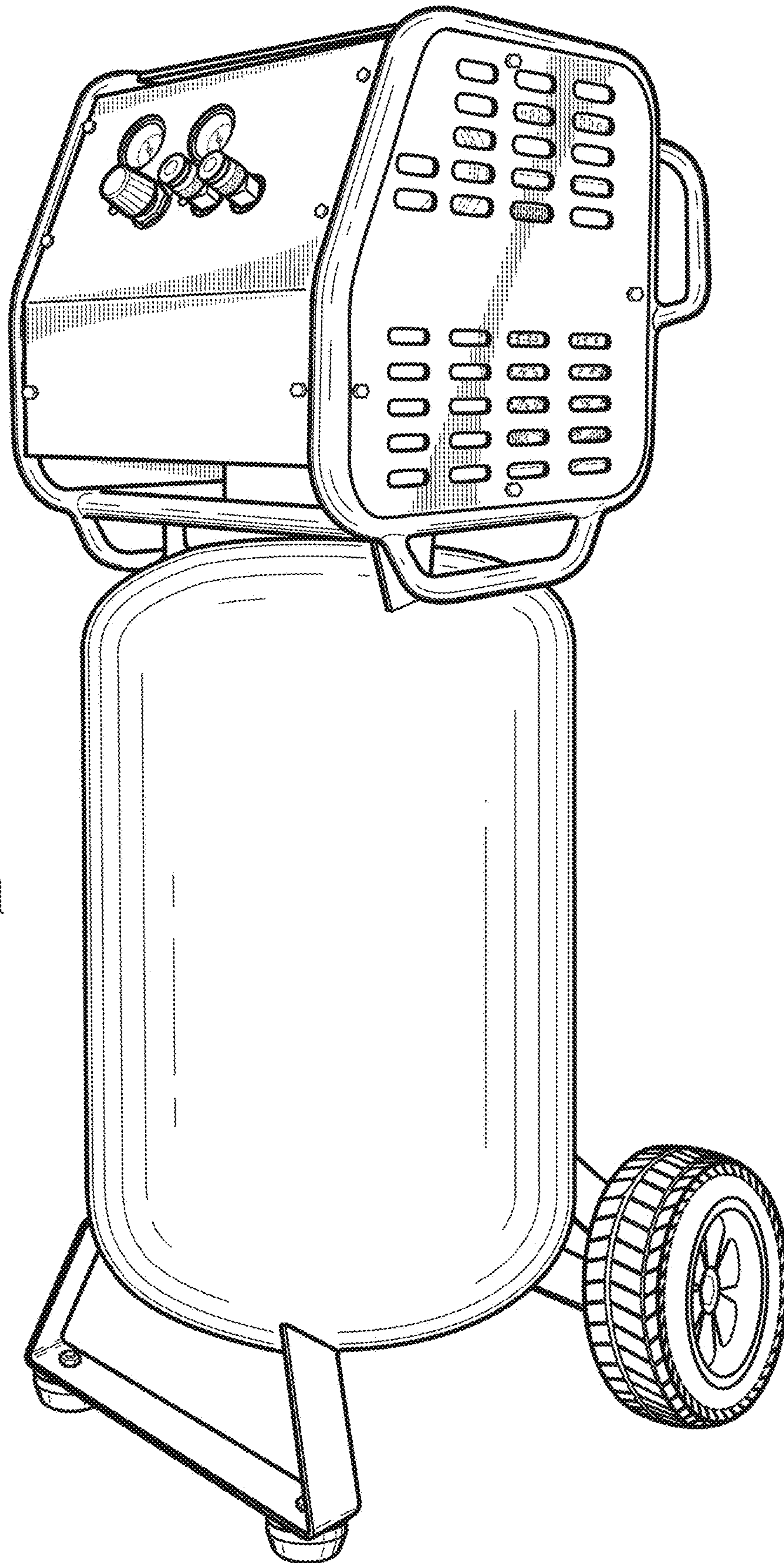


FIG. 1

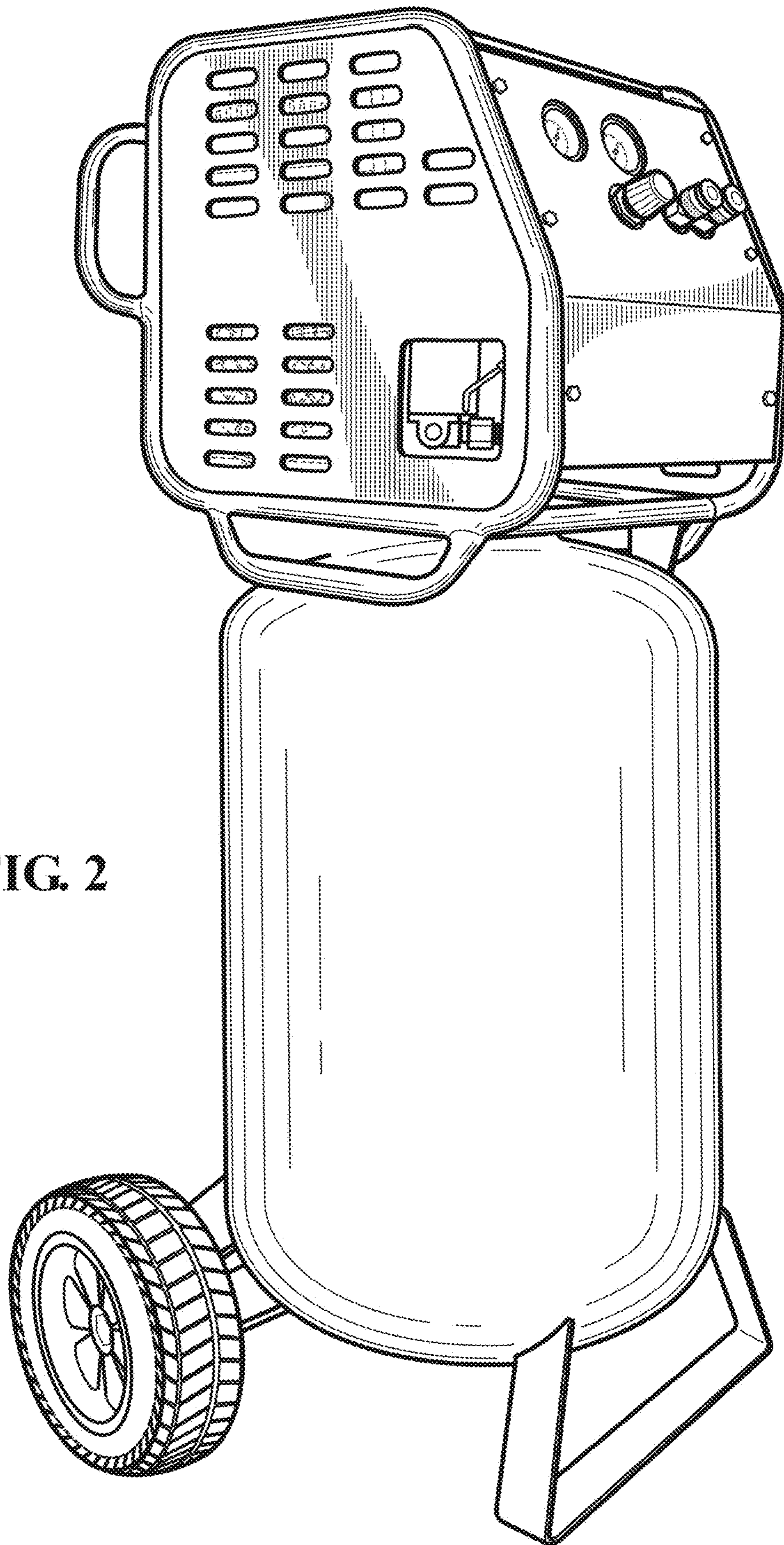


FIG. 2

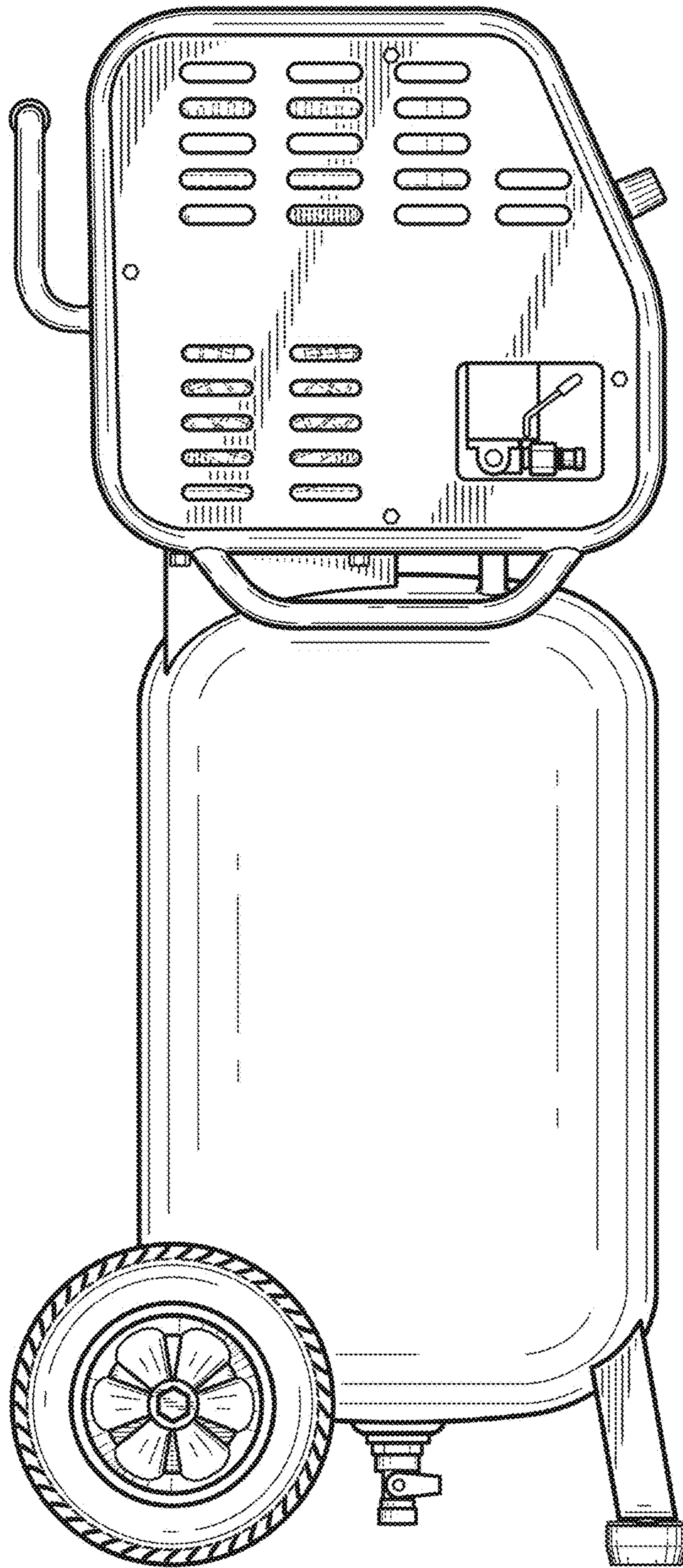


FIG. 3

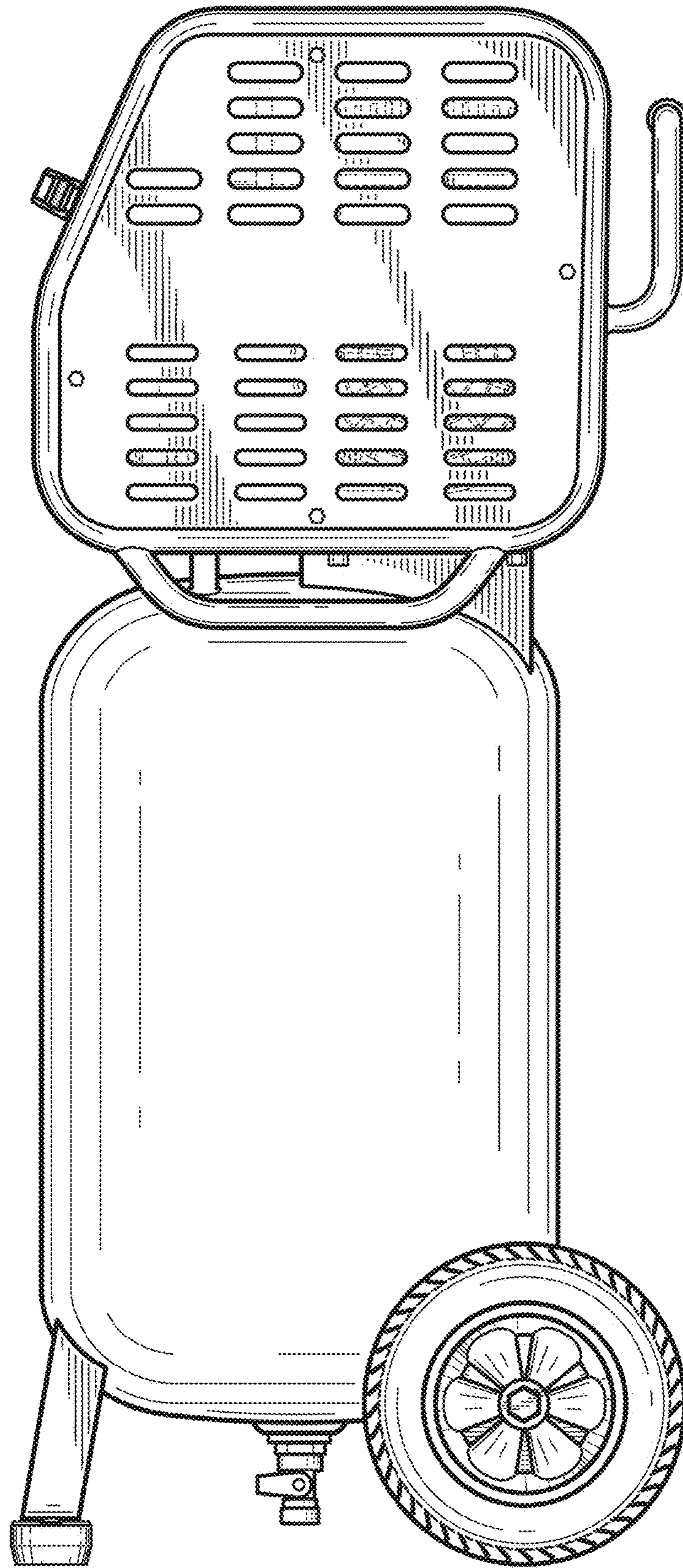


FIG. 4

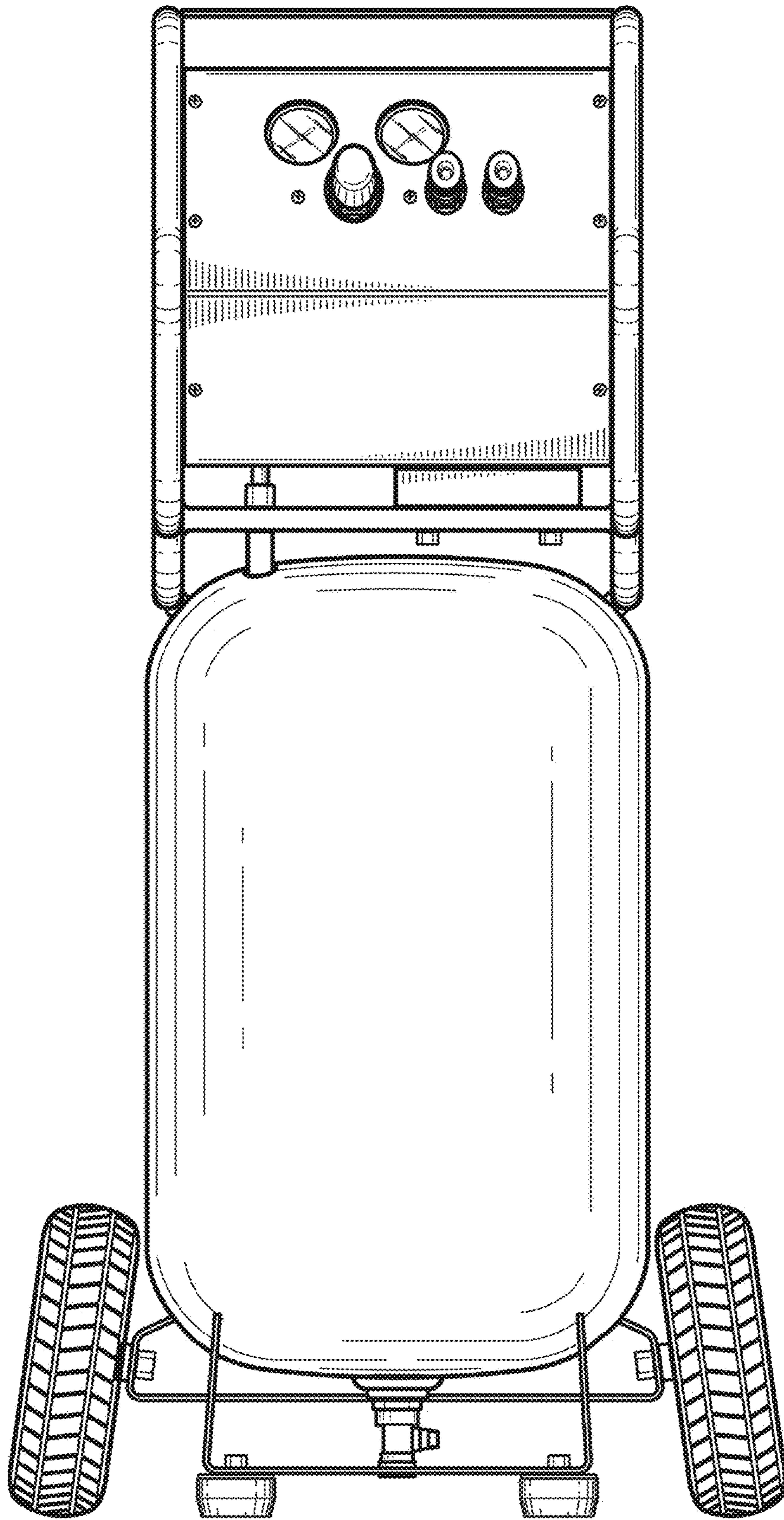


FIG. 5

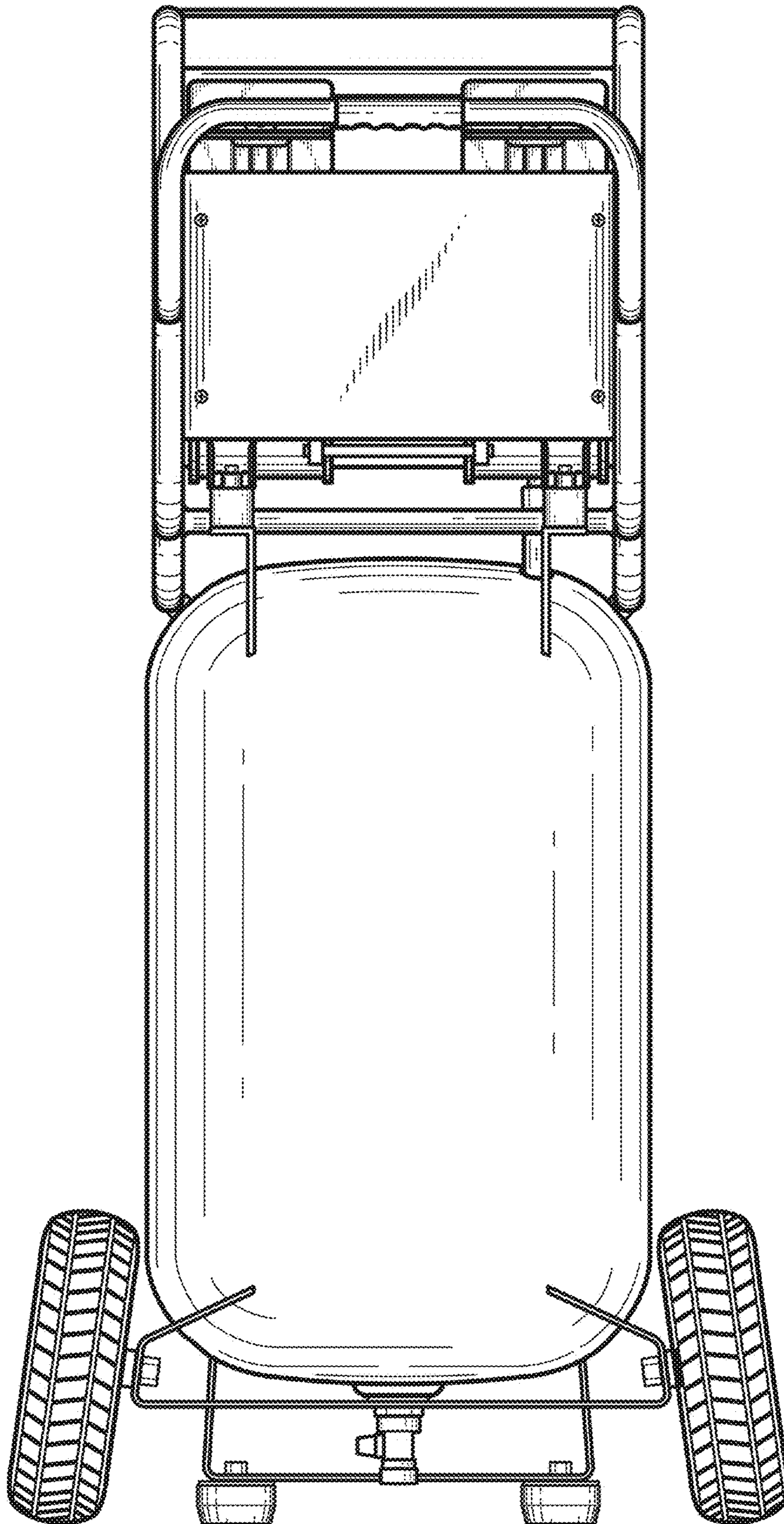


FIG. 6

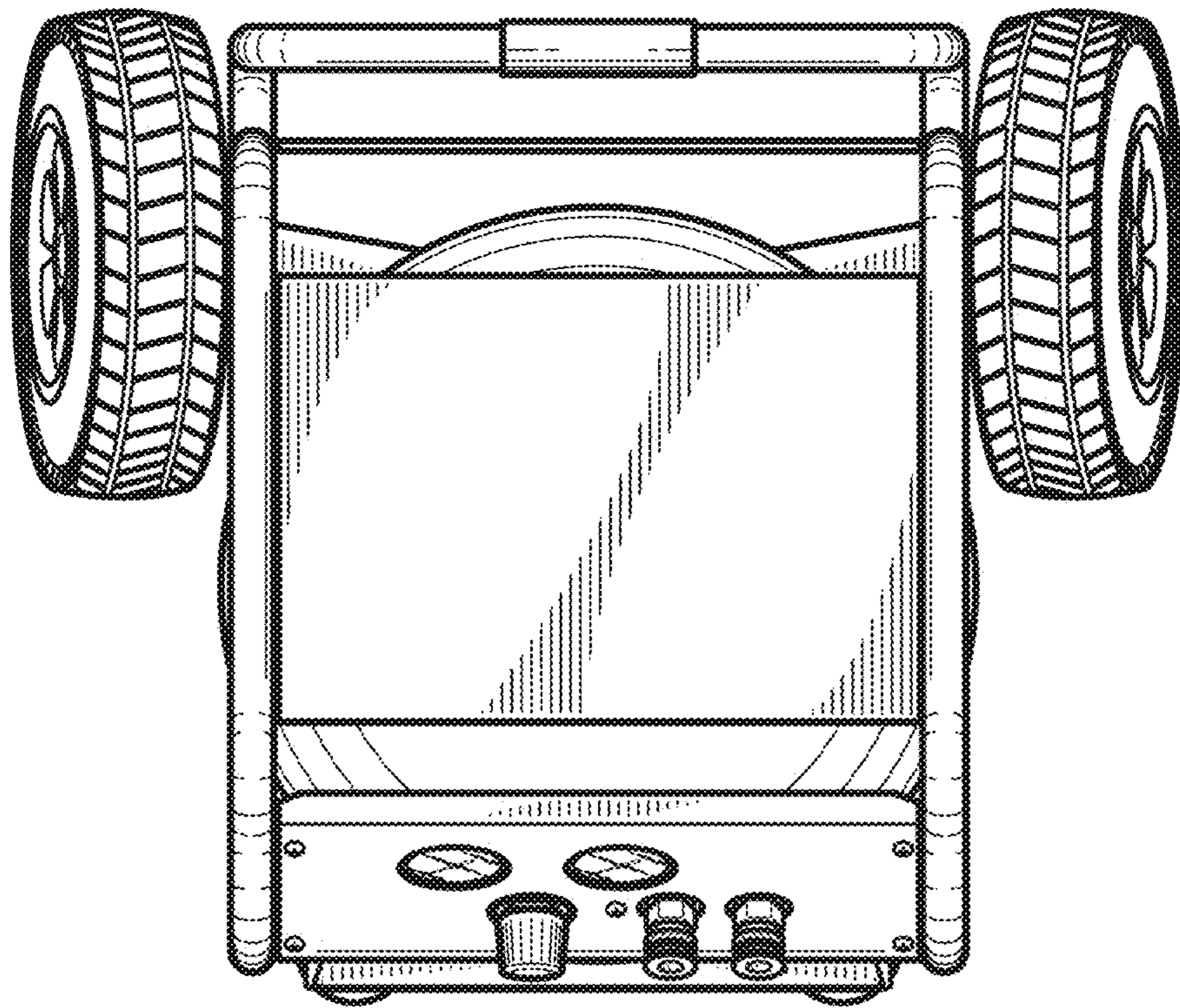


FIG. 7

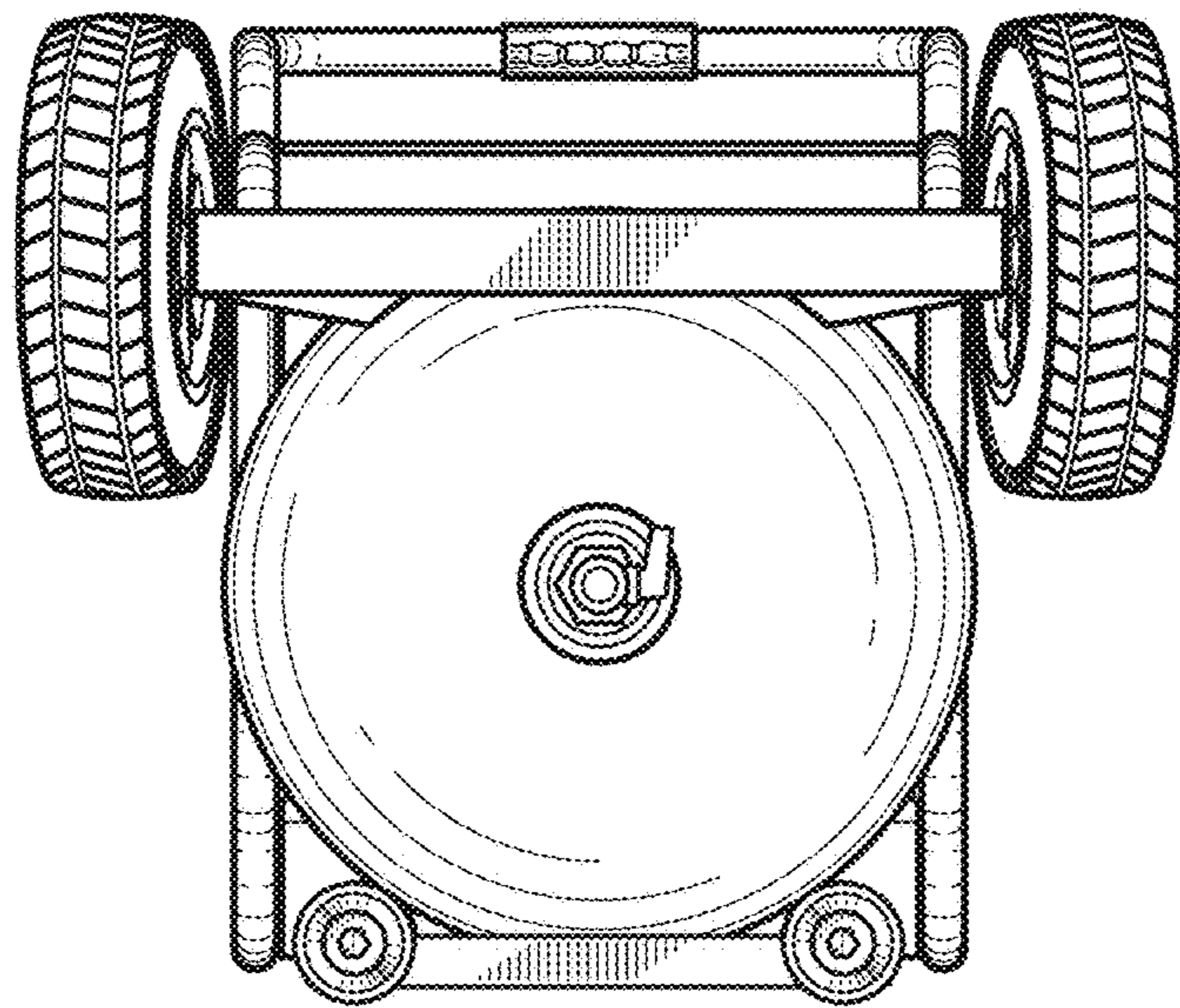


FIG. 8