

US00D806756S

(12) **United States Design Patent**
Wood

(10) **Patent No.:** **US D806,756 S**
(45) **Date of Patent:** **** Jan. 2, 2018**

(54) **COMPRESSOR**

(71) Applicant: **Wood Industries Inc.**, Belmont, MS
(US)

(72) Inventor: **Jeffery O. Wood**, Belmont, MS (US)

(73) Assignee: **Wood Industries Inc.**, Belmont, MS
(US)

(**) Term: **15 Years**

(21) Appl. No.: **29/582,905**

(22) Filed: **Oct. 31, 2016**

(51) **LOC (11) Cl.** **15-02**

(52) **U.S. Cl.**
USPC **D15/9**

(58) **Field of Classification Search**
USPC D15/7-9; D23/231, 232, 225; 417/60,
417/235, 265, 321, 355, 358, 363, 359,
417/410.1, 415-416, 405, 900, 269, 539,
417/234; 60/408, 412; 184/26-37;
415/140-147; 123/495, 509; 137/565.34
CPC F02M 37/04; F02M 37/14; F04B 53/92;
F04B 1/005
See application file for complete search history.

(56) **References Cited**

U.S. PATENT DOCUMENTS

6,375,437 B1 * 4/2002 Nolan F04B 35/06
137/248
D499,431 S * 12/2004 Chen D15/9
D500,052 S * 12/2004 Lucchi D15/9
D537,840 S * 3/2007 Smith D15/9
D537,841 S * 3/2007 Smith D15/9
D553,647 S * 10/2007 Steinfels D15/9
D555,173 S * 11/2007 Smith D15/9
D559,272 S * 1/2008 Buck D15/9

D575,309 S * 8/2008 Steinfels D15/9
D603,871 S * 11/2009 Steinfels D15/7
7,909,584 B2 * 3/2011 Etter F04B 35/06
417/234
8,167,579 B2 * 5/2012 Schultz F04B 35/06
417/234
8,313,309 B1 * 11/2012 Hawkins F04B 17/05
280/6.155
D710,902 S * 8/2014 Vintzel D15/9
D710,903 S * 8/2014 Vintzel D15/9

* cited by examiner

Primary Examiner — Ralf Seifert

(74) *Attorney, Agent, or Firm* — Waller Lansden Dortch
& Davis, LLP; Matthew C. Cox

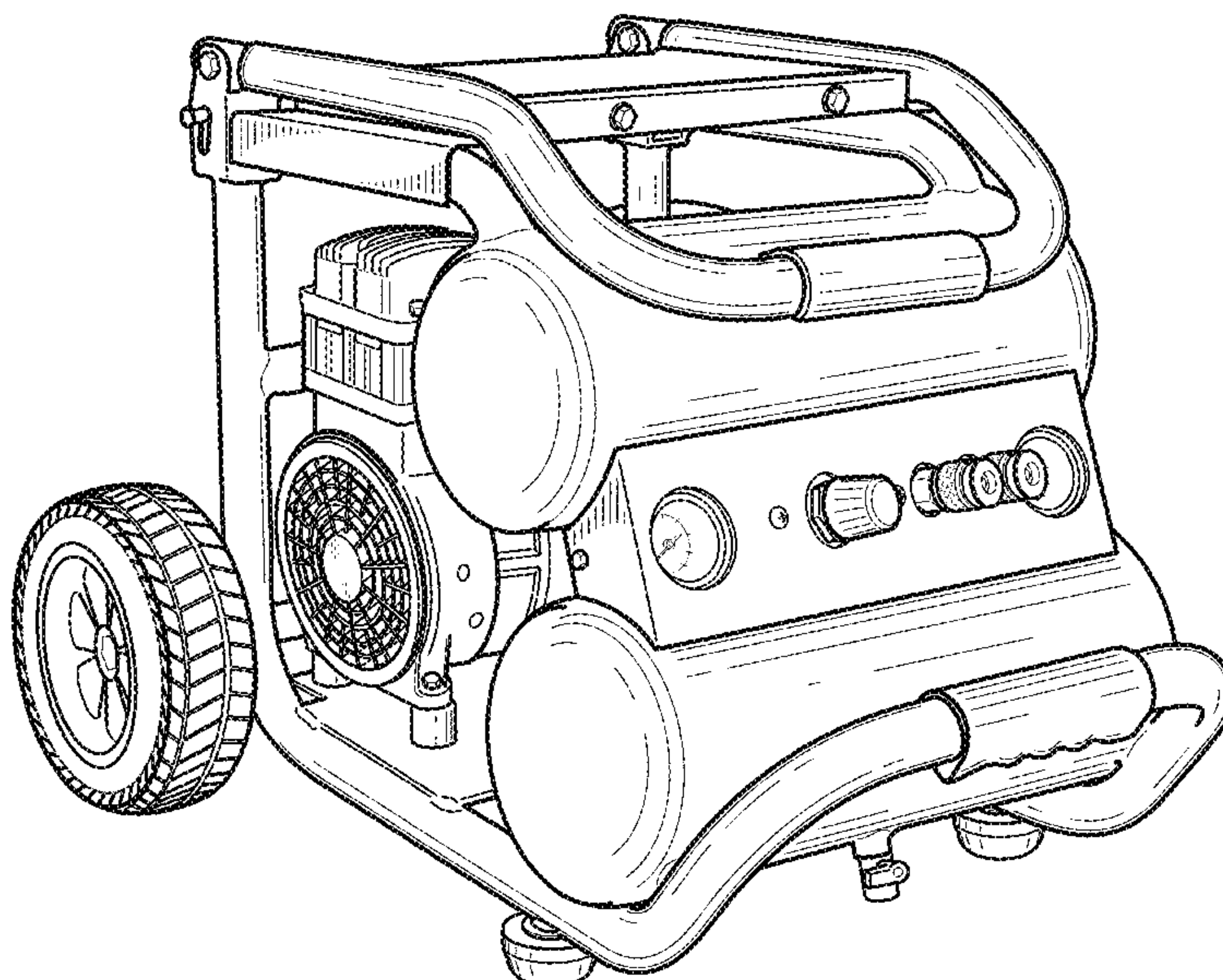
(57) **CLAIM**

What is claimed is the ornamental design for a “compressor,” as shown and described.

DESCRIPTION

FIG. 1 is a front right perspective view of the “compressor” of Applicant’s invention.
FIG. 2 is a front left perspective view of the “compressor” of Applicant’s invention.
FIG. 3 is a right side elevation view of the “compressor” of Applicant’s invention.
FIG. 4 is a left side elevation view of the “compressor” of Applicant’s invention.
FIG. 5 is a front elevation view of the “compressor” of Applicant’s invention.
FIG. 6 is a back elevation view of the “compressor” of Applicant’s invention.
FIG. 7 is a top view of the “compressor” of Applicant’s invention; and,
FIG. 8 is a bottom view of the “compressor” of Applicant’s invention.

1 Claim, 8 Drawing Sheets



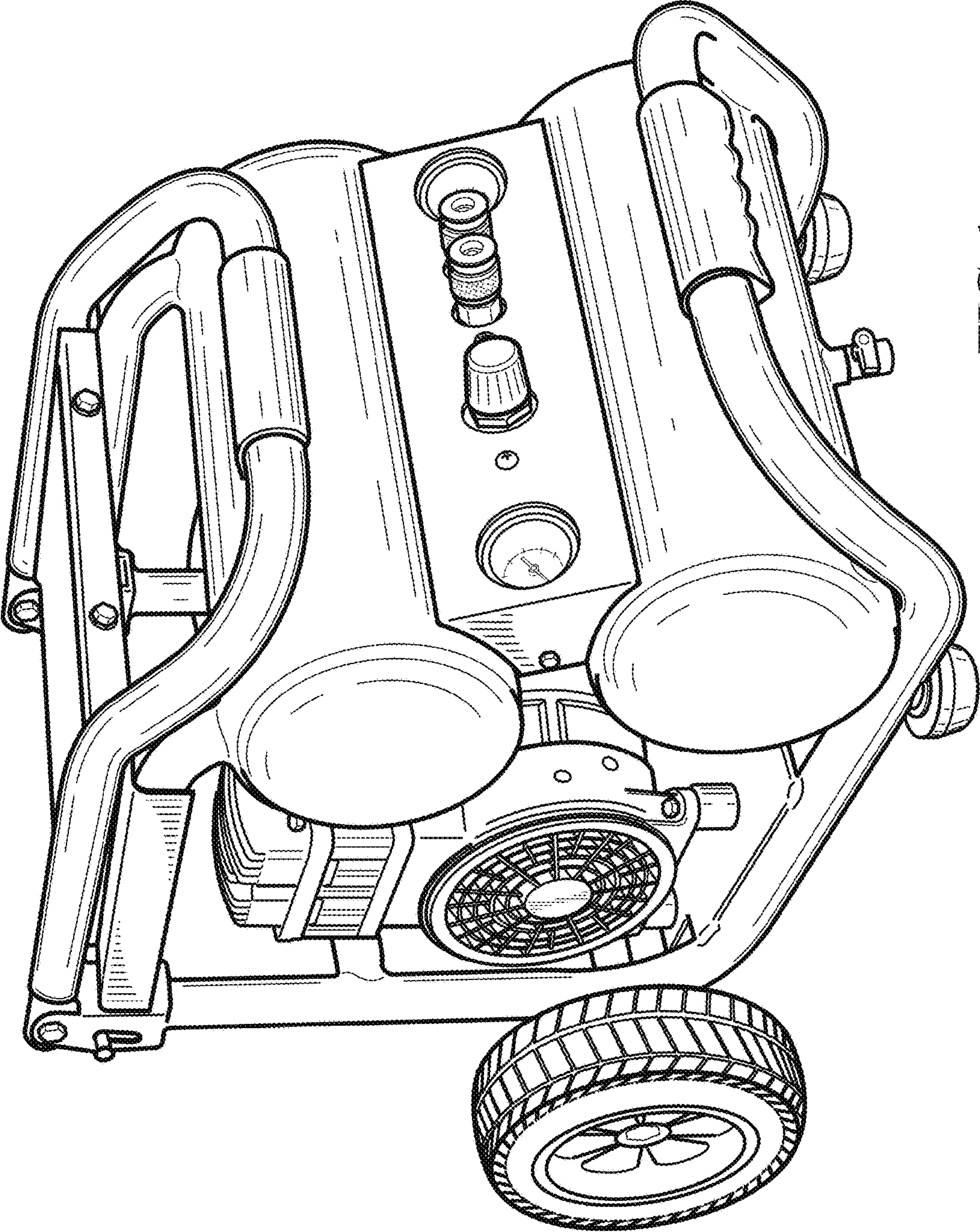


FIG. 1

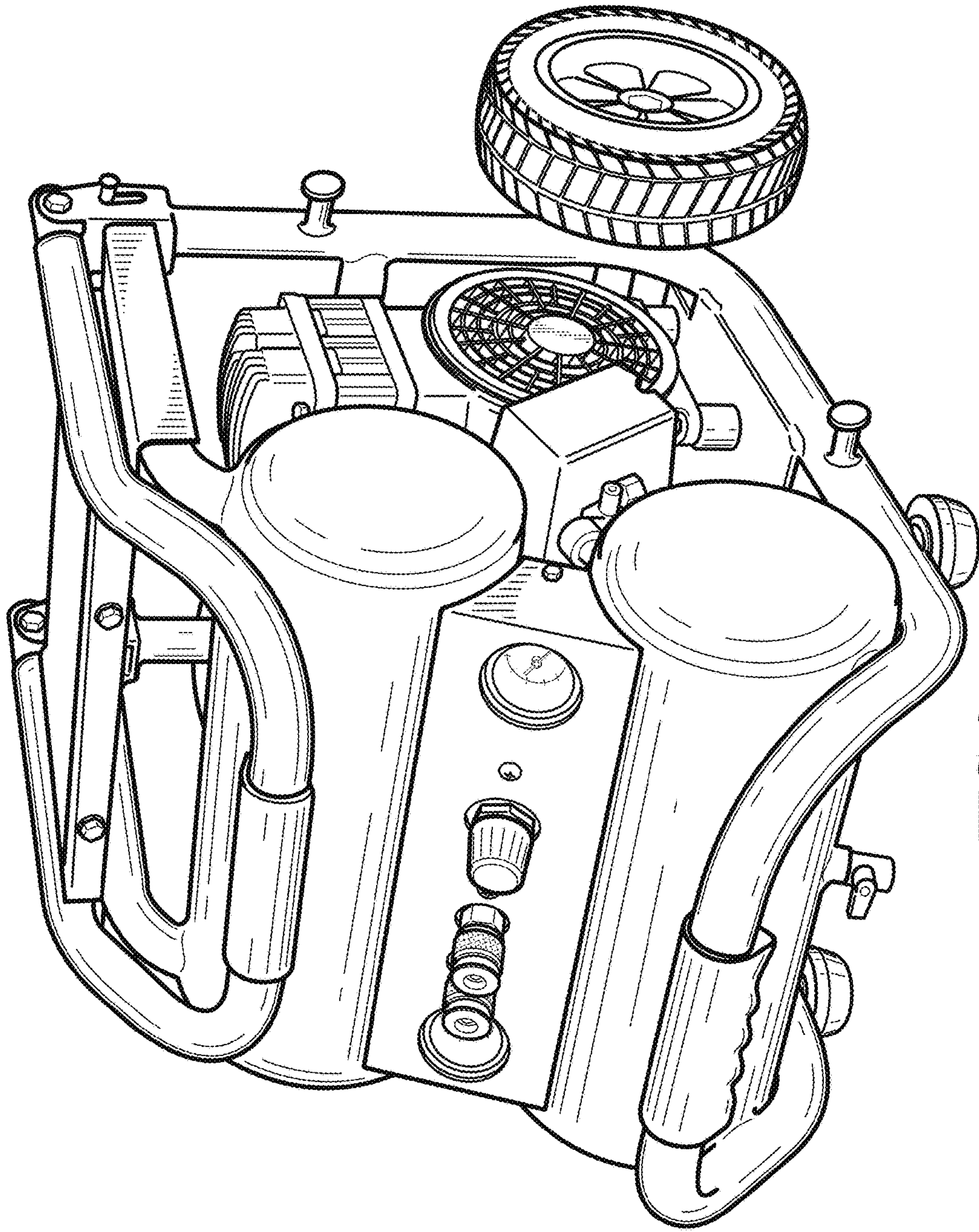


FIG. 2

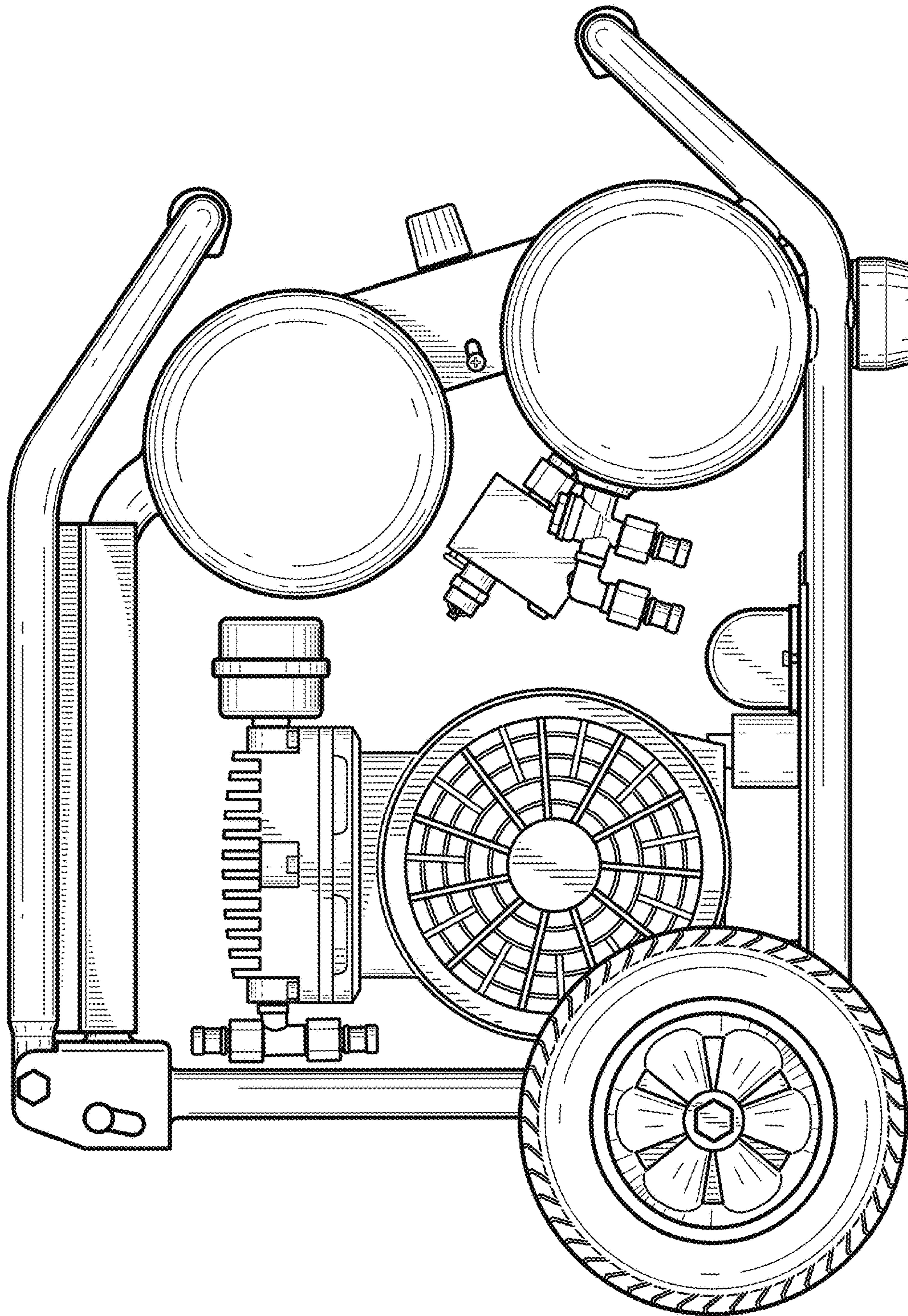


FIG. 3

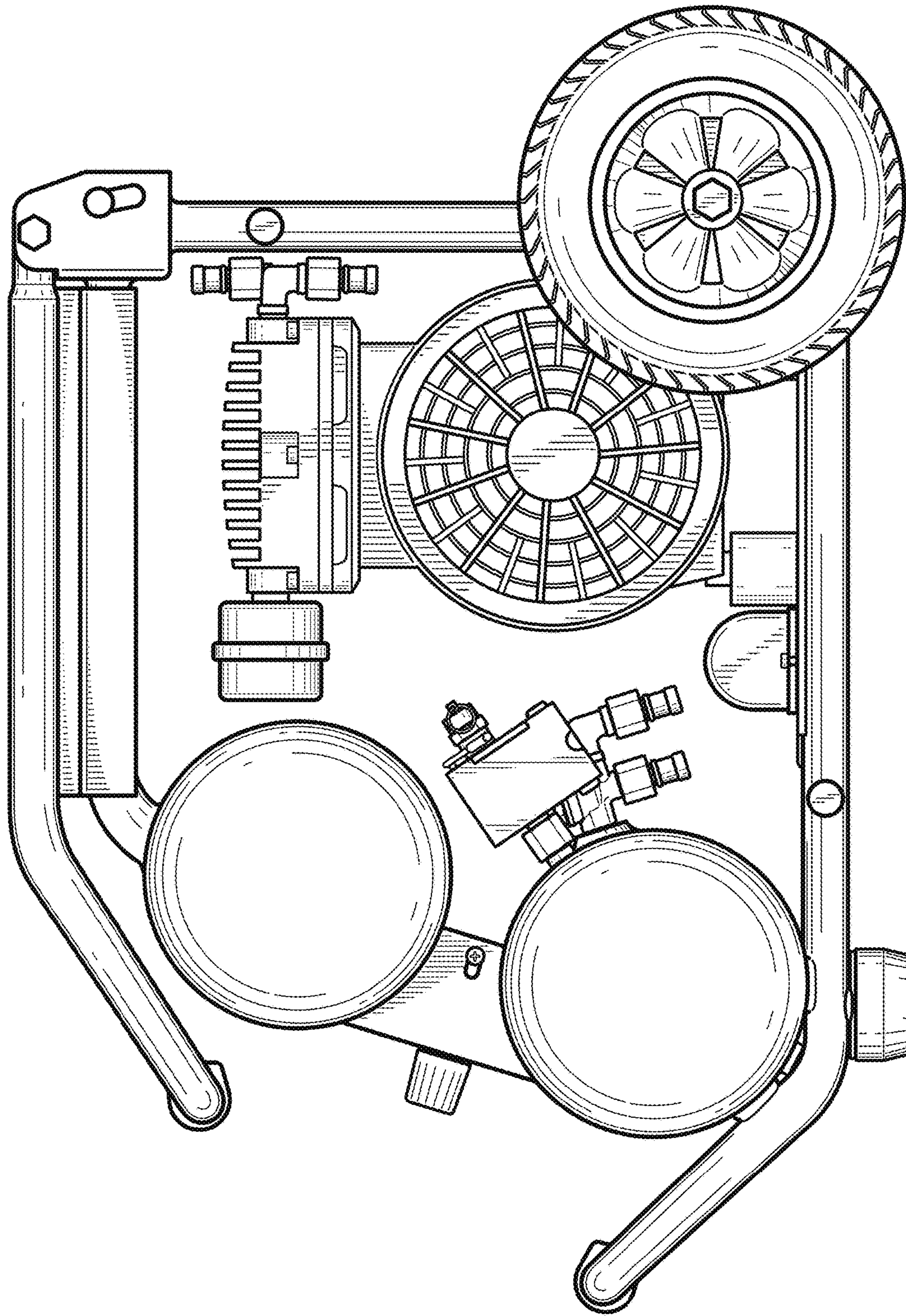


FIG. 4

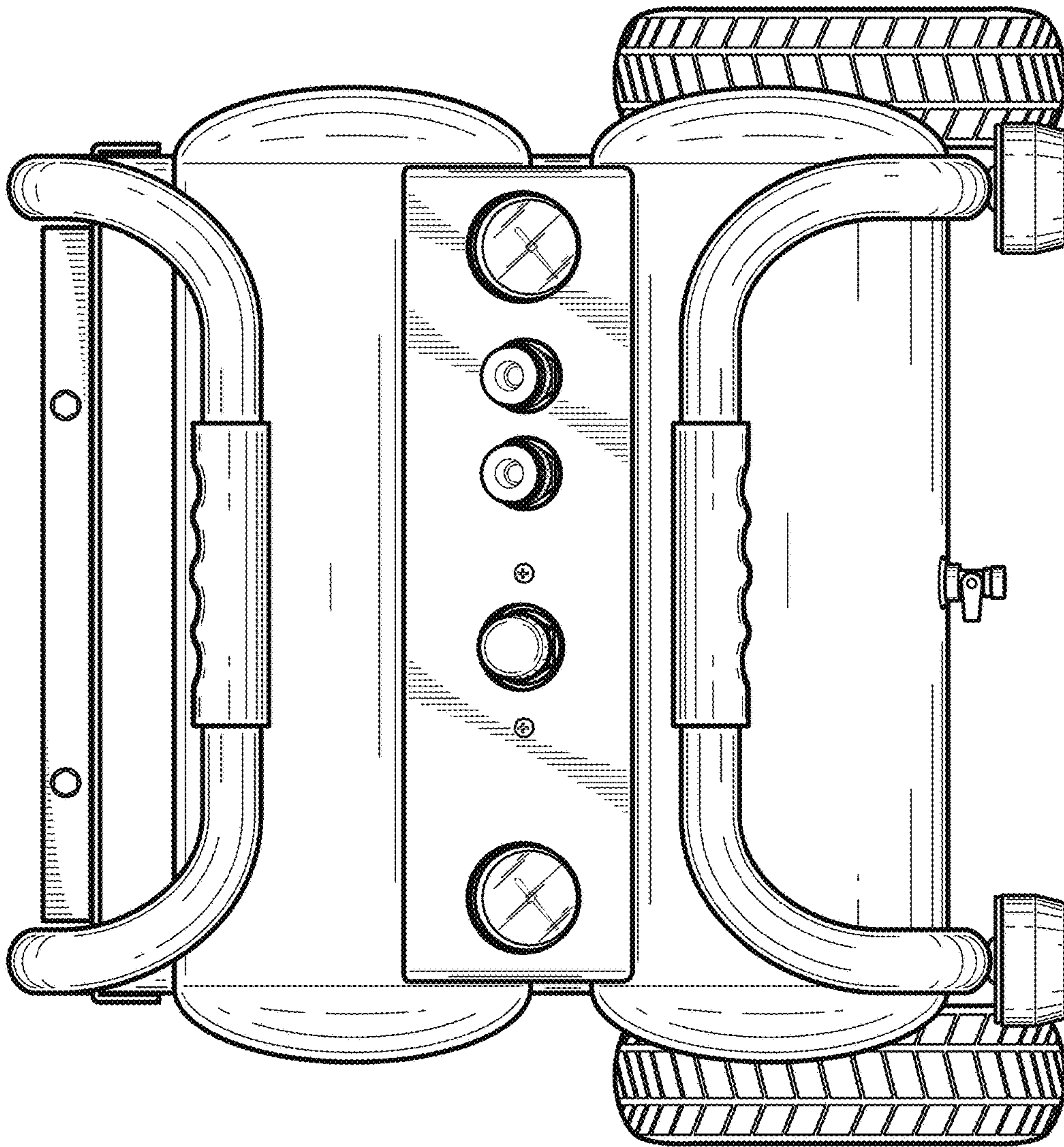


FIG. 5

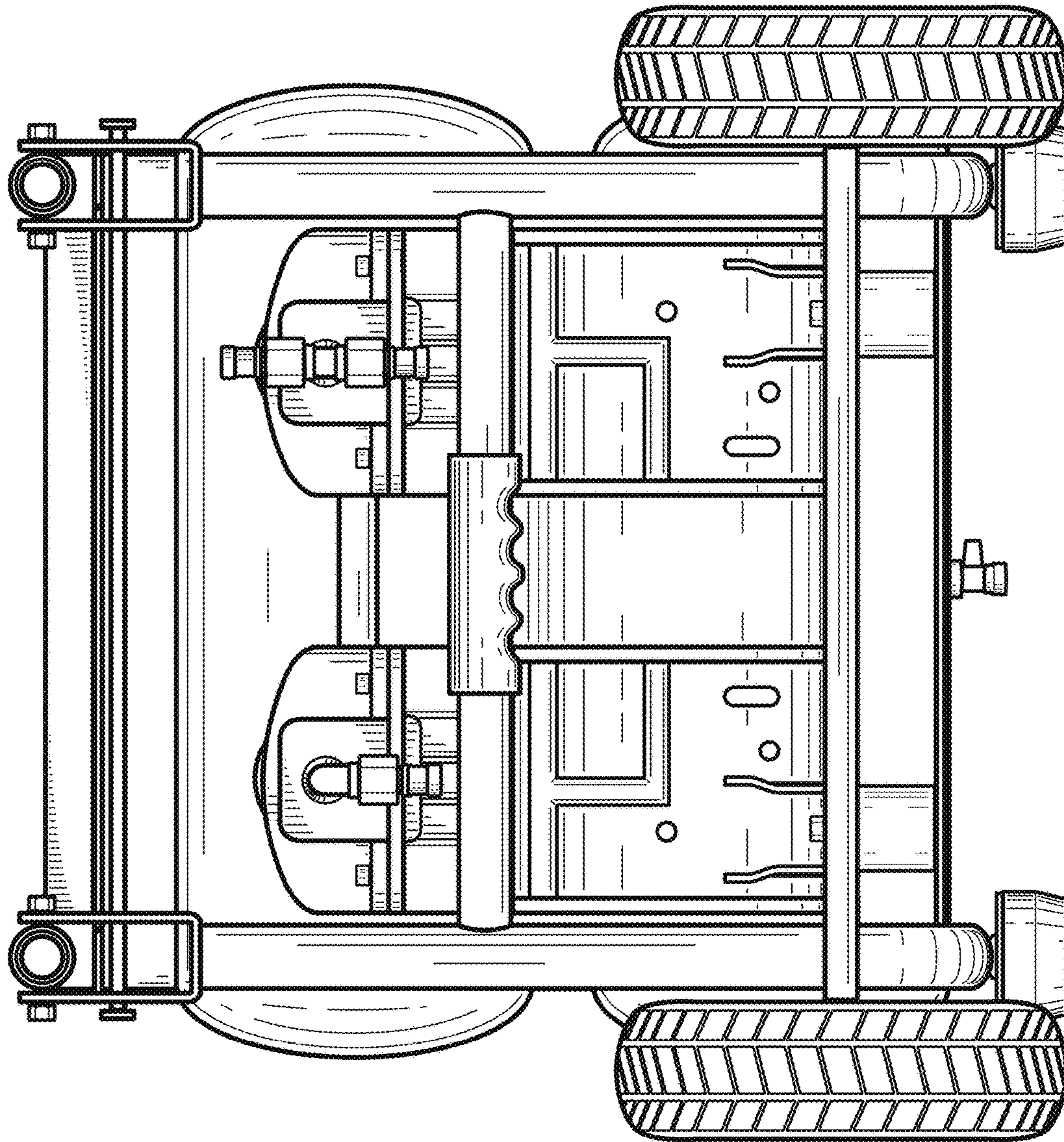


FIG. 6

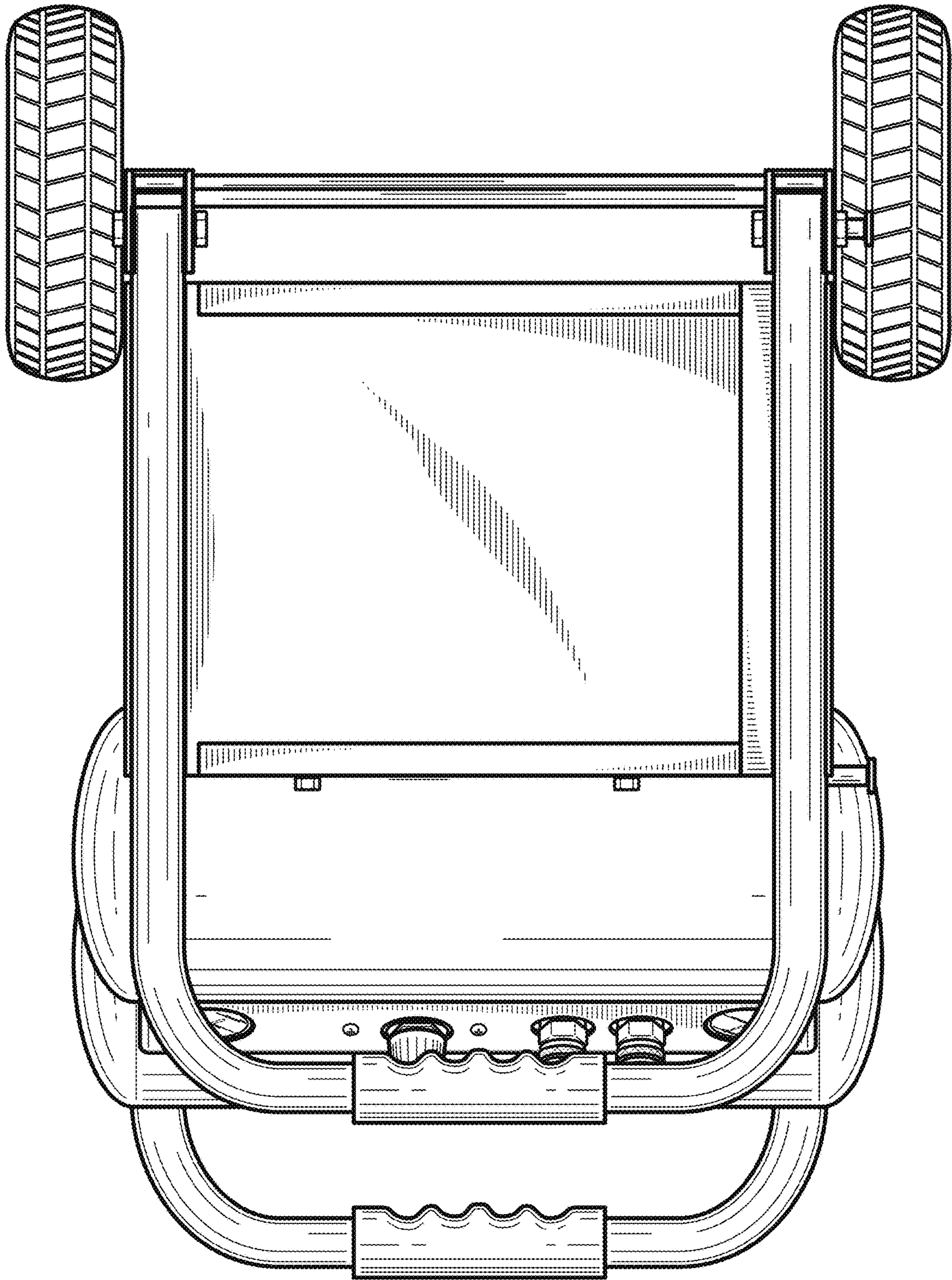


FIG. 7

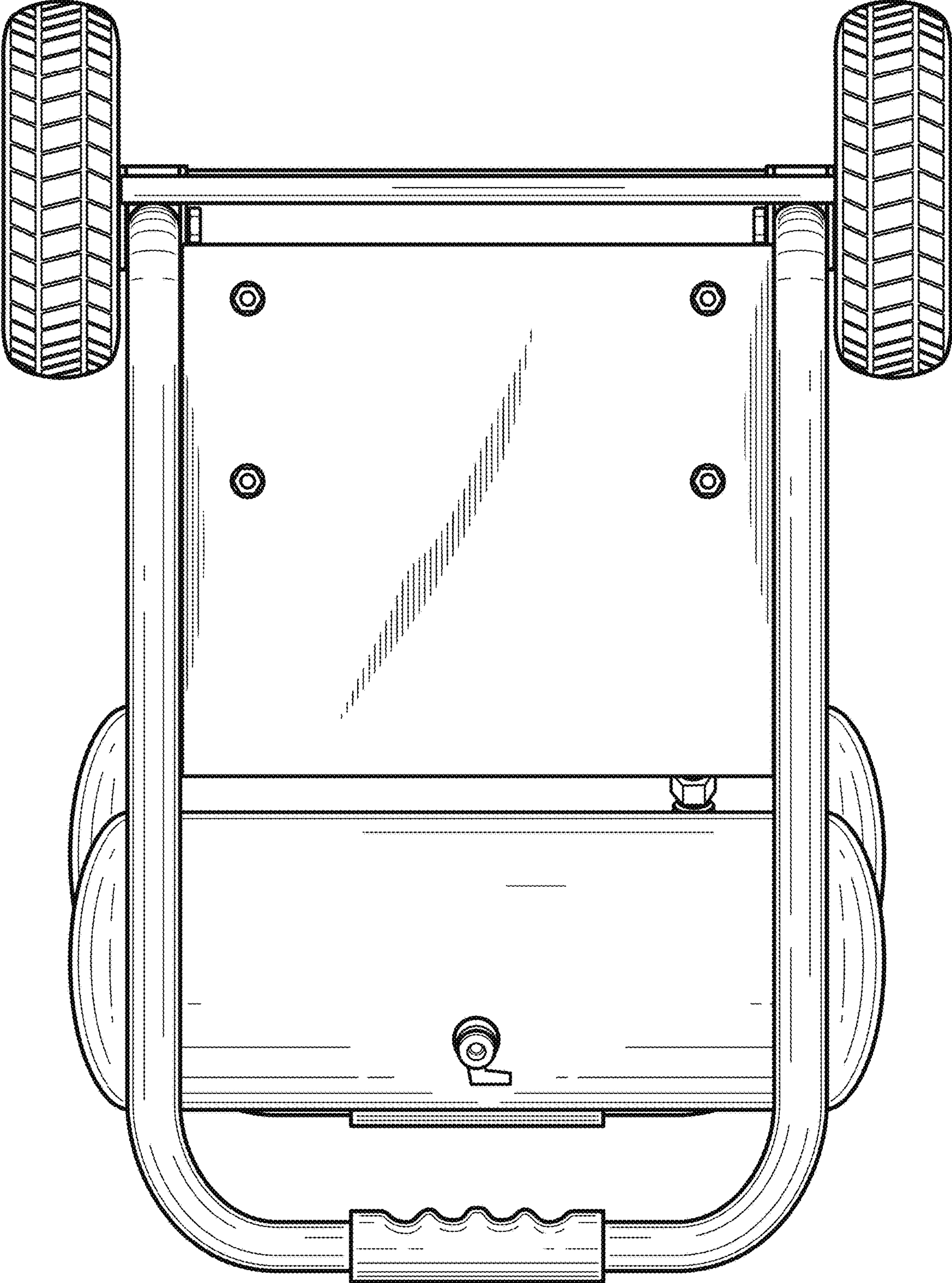


FIG. 8