



US00D806754S

(12) **United States Design Patent**
Rhyner et al.

(10) **Patent No.:** **US D806,754 S**
(45) **Date of Patent:** **** Jan. 2, 2018**

- (54) **EDDY PUMP IMPELLER**
- (71) Applicant: **EDDY Pump Corporation**, El Cajon, CA (US)
- (72) Inventors: **Phillip Cyrus Rhyner**, San Diego, CA (US); **Dan Wahlgren**, El Cajon, CA (US)
- (73) Assignee: **Eddy Pump Corporation**, Blossom Valley, CA (US)
- (**) Term: **15 Years**
- (21) Appl. No.: **29/585,471**
- (22) Filed: **Nov. 23, 2016**
- (51) **LOC (11) Cl.** **15-02**
- (52) **U.S. Cl.**
USPC **D15/7**
- (58) **Field of Classification Search**
USPC D15/7-9; D23/231, 232; 417/410.1, 417/359, 415-416, 234, 321, 265, 405; 416/223 B, 188, 185, 203; 415/181
CPC F01D 5/14; F01D 5/12; F01D 5/04; F02B 33/40; F04D 29/42
See application file for complete search history.

D366,935 S *	2/1996	Arthun	D12/214
D382,881 S *	8/1997	Hoglund	D15/7
D421,798 S *	3/2000	Liang	D23/370
6,139,274 A	10/2000	Heer		
6,158,959 A	12/2000	Arbeus		
6,398,498 B1	6/2002	Boyesen		
7,278,461 B2 *	10/2007	Endo	B22D 18/06 164/113
7,318,703 B2	1/2008	Schober et al.		
D583,391 S *	12/2008	Metcalfe	D15/7
D588,158 S *	3/2009	Fausett	D15/5
D692,275 S *	10/2013	Audette	D7/376
D694,266 S *	11/2013	Haddad	D15/7
D712,434 S *	9/2014	Hastings	D15/7
D713,861 S *	9/2014	Langlais	D15/28
D744,018 S *	11/2015	Sugiura	D15/139
D762,840 S *	8/2016	Wilkins	D15/7
D762,841 S *	8/2016	Wilkins	D15/7

* cited by examiner

Primary Examiner — Ralf Seifert

(57) **CLAIM**

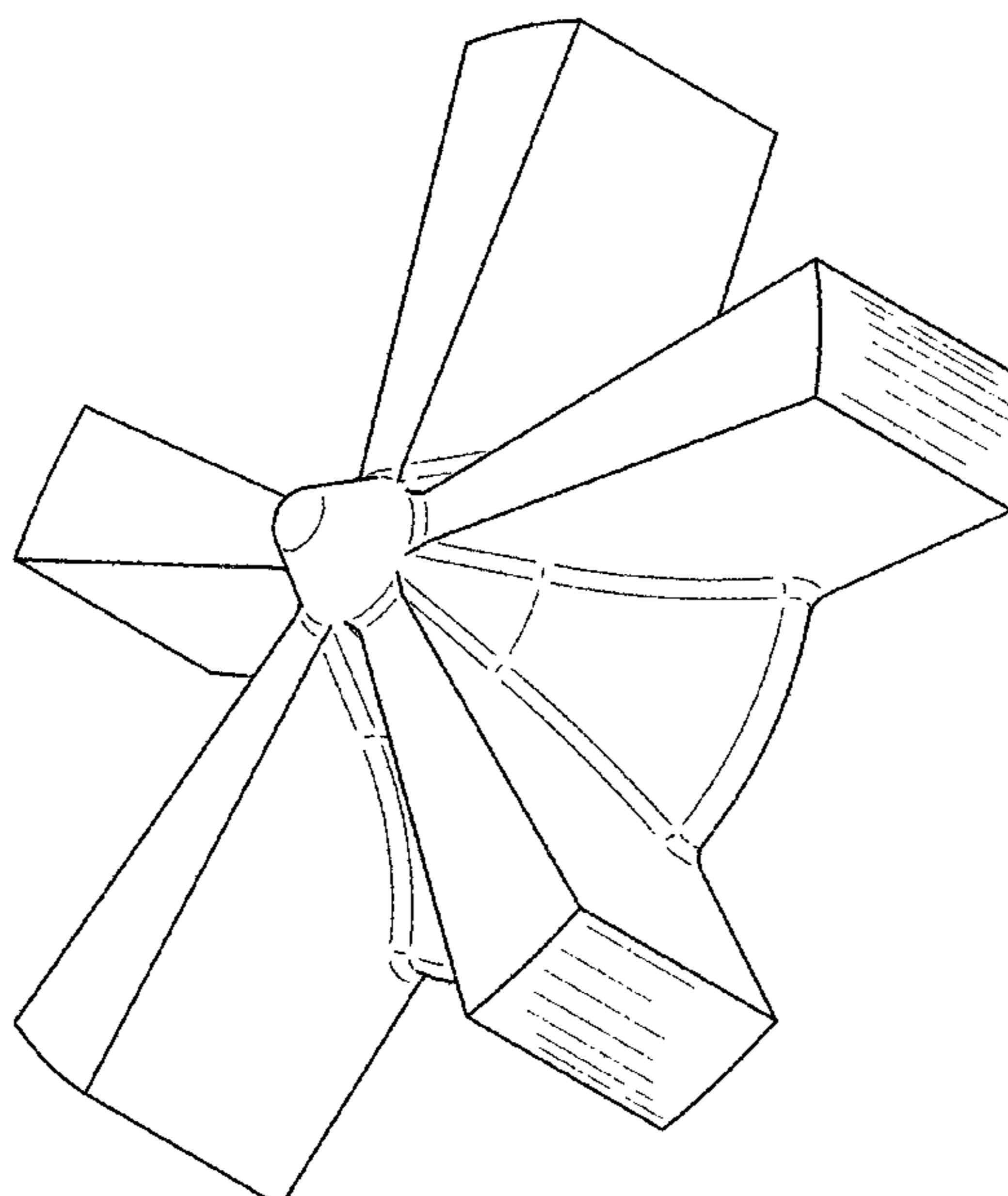
The ornamental design for an eddy pump impeller, as shown and described.

DESCRIPTION

FIG. 1 is a top perspective view for an eddy pump impeller showing my new design;
 FIG. 2 is a bottom plan view thereof;
 FIG. 3 is a right side plan view, the left side plan view being a mirror image thereof;
 FIG. 4 is a top plan view thereof;
 FIG. 5 is a front plan view, the rear side plan view being a mirror image thereof;
 FIG. 6 is a right side sectional view taken along lines 4-4 from FIG. 4 thereof, and,
 FIG. 7 is a bottom perspective view thereof.

1 Claim, 4 Drawing Sheets

- (56) **References Cited**
U.S. PATENT DOCUMENTS
- 2,710,580 A 6/1955 Holzwarth
- 4,594,052 A 6/1986 Niskanen
- 4,596,511 A 6/1986 Weinrib
- 4,776,753 A 10/1988 Weinrib
- 4,792,275 A 10/1988 Weinrib
- 4,815,929 A 3/1989 Weinrib
- 4,904,159 A 2/1990 Wickoren
- 4,914,841 A 4/1990 Weinrib
- 5,242,268 A 9/1993 Fukazawa et al.



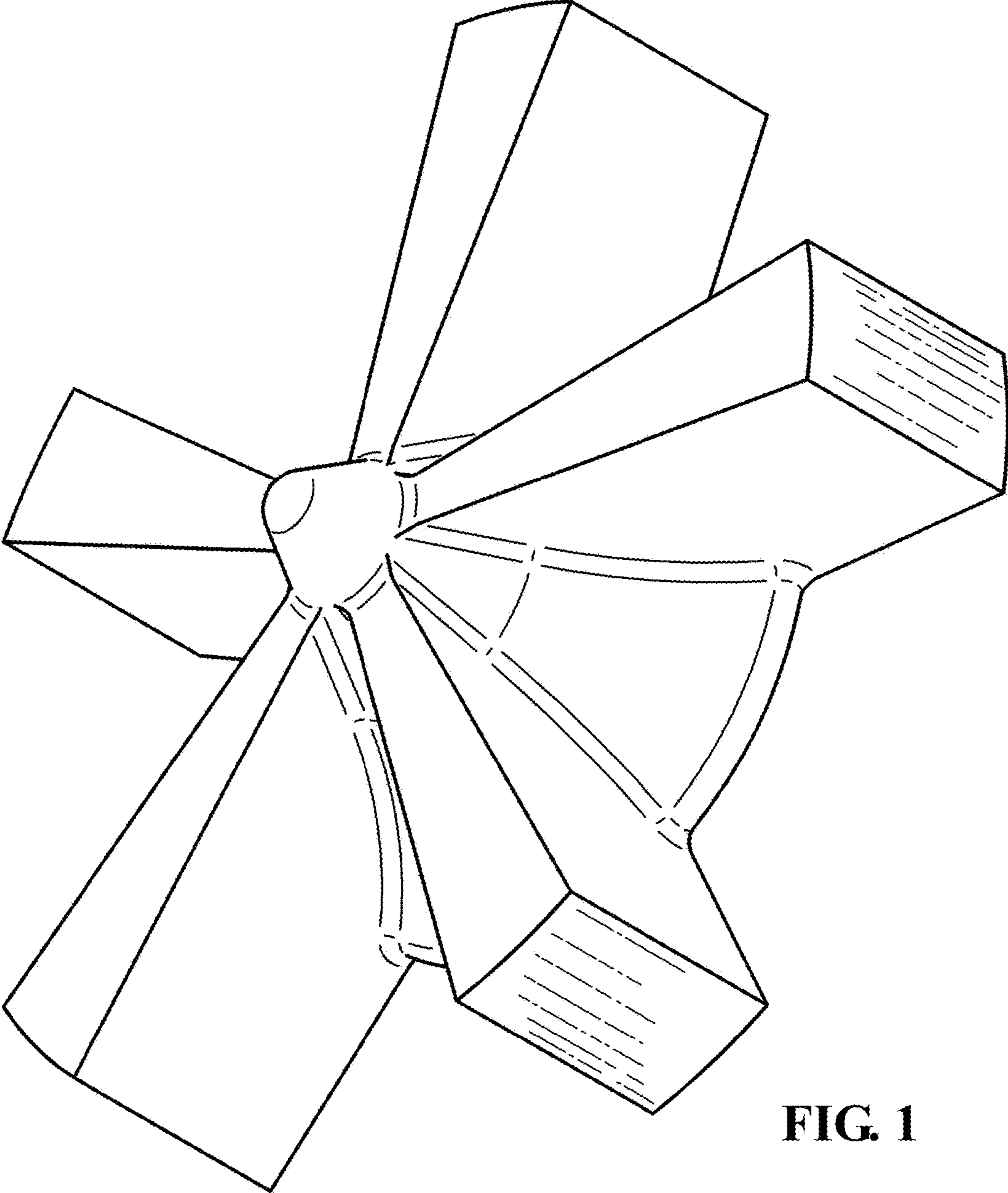


FIG. 1

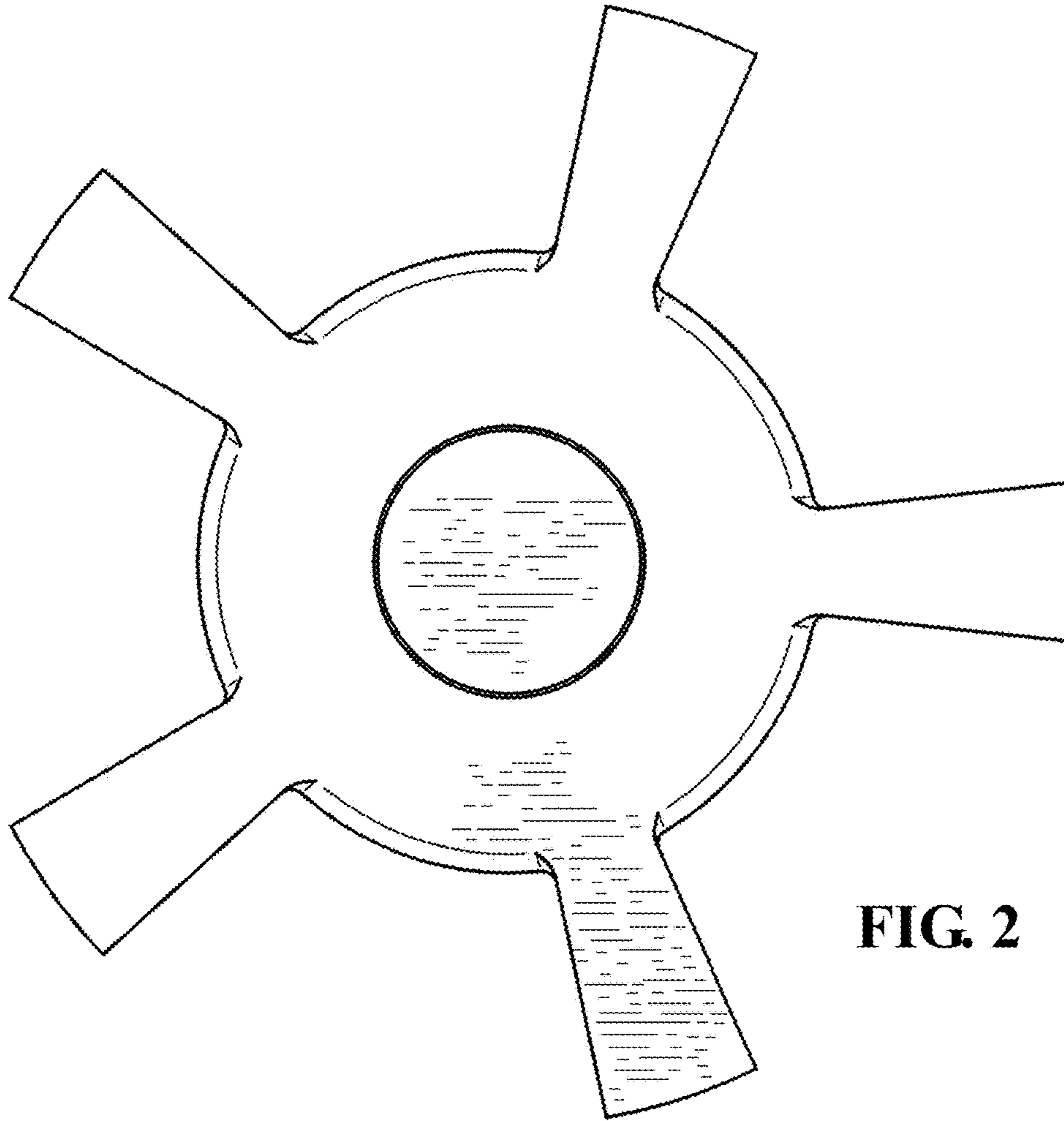


FIG. 2

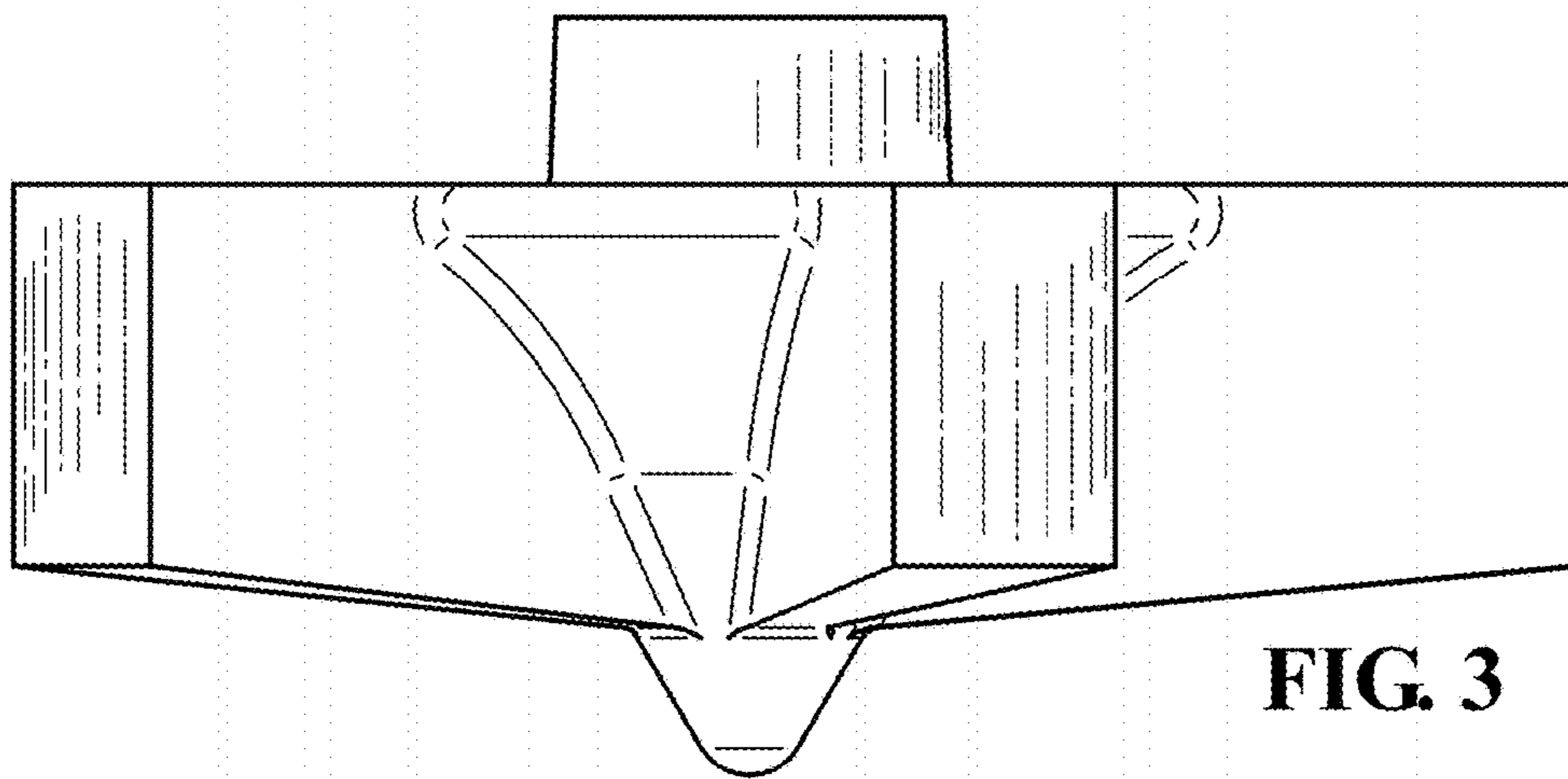


FIG. 3

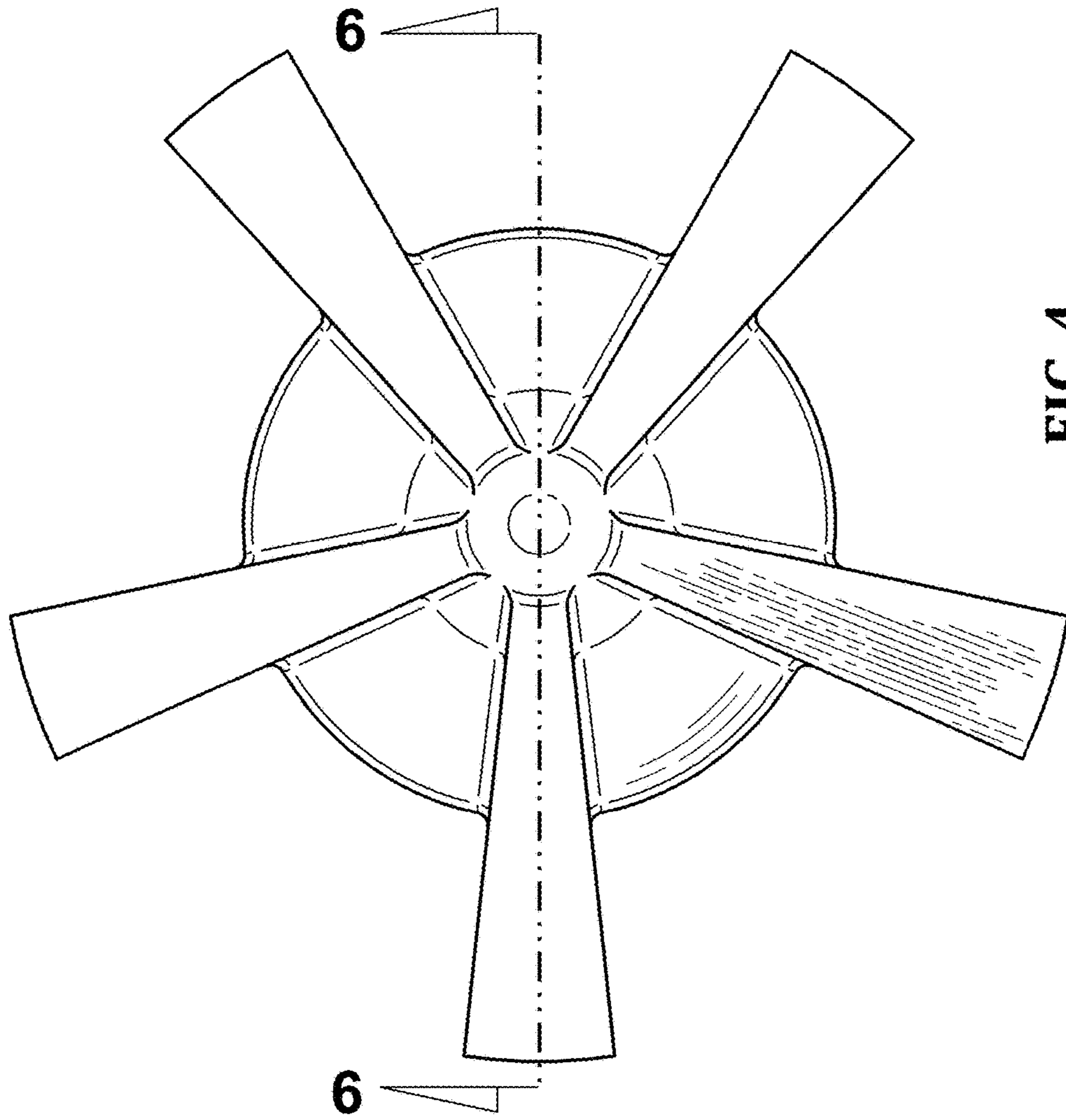


FIG 4

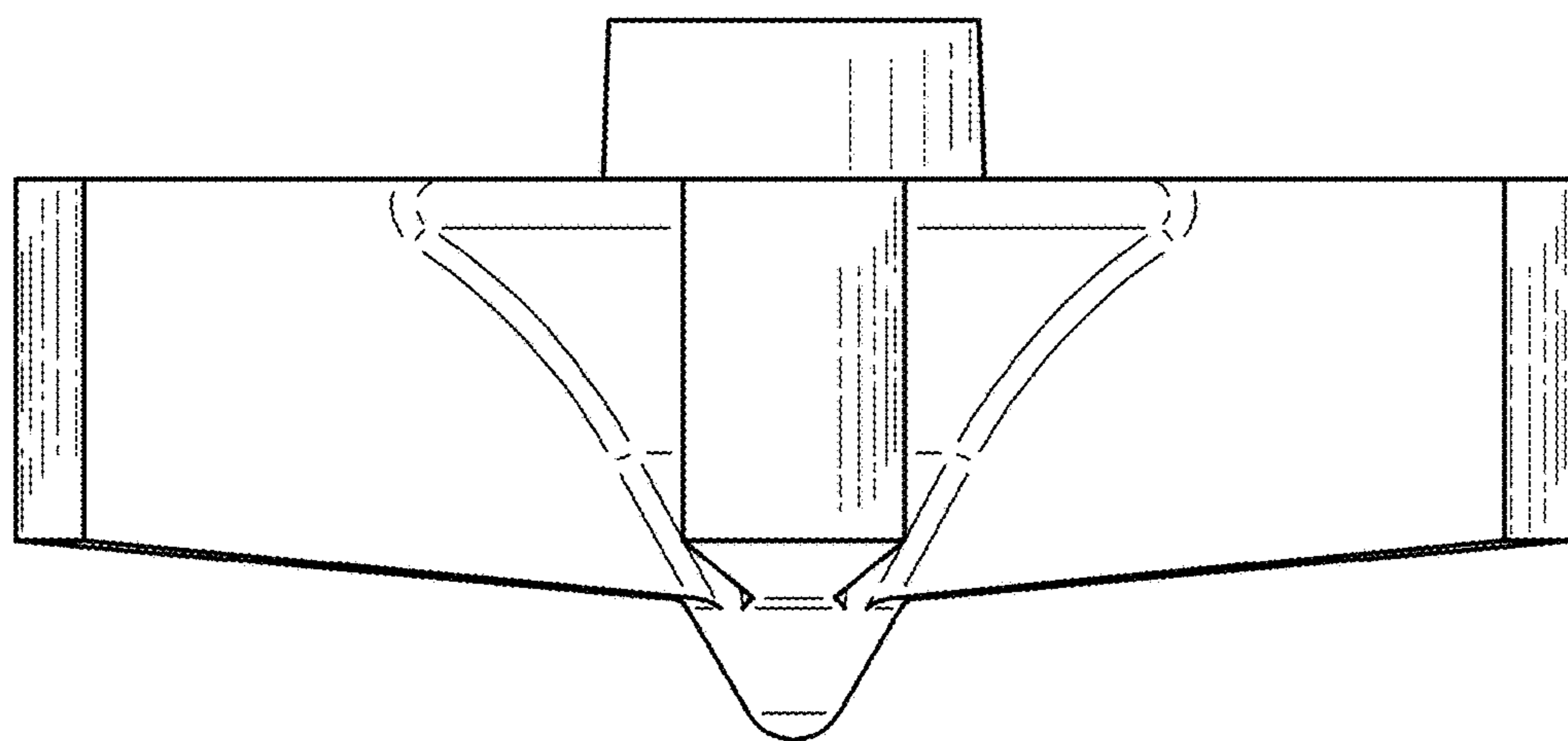


FIG 5

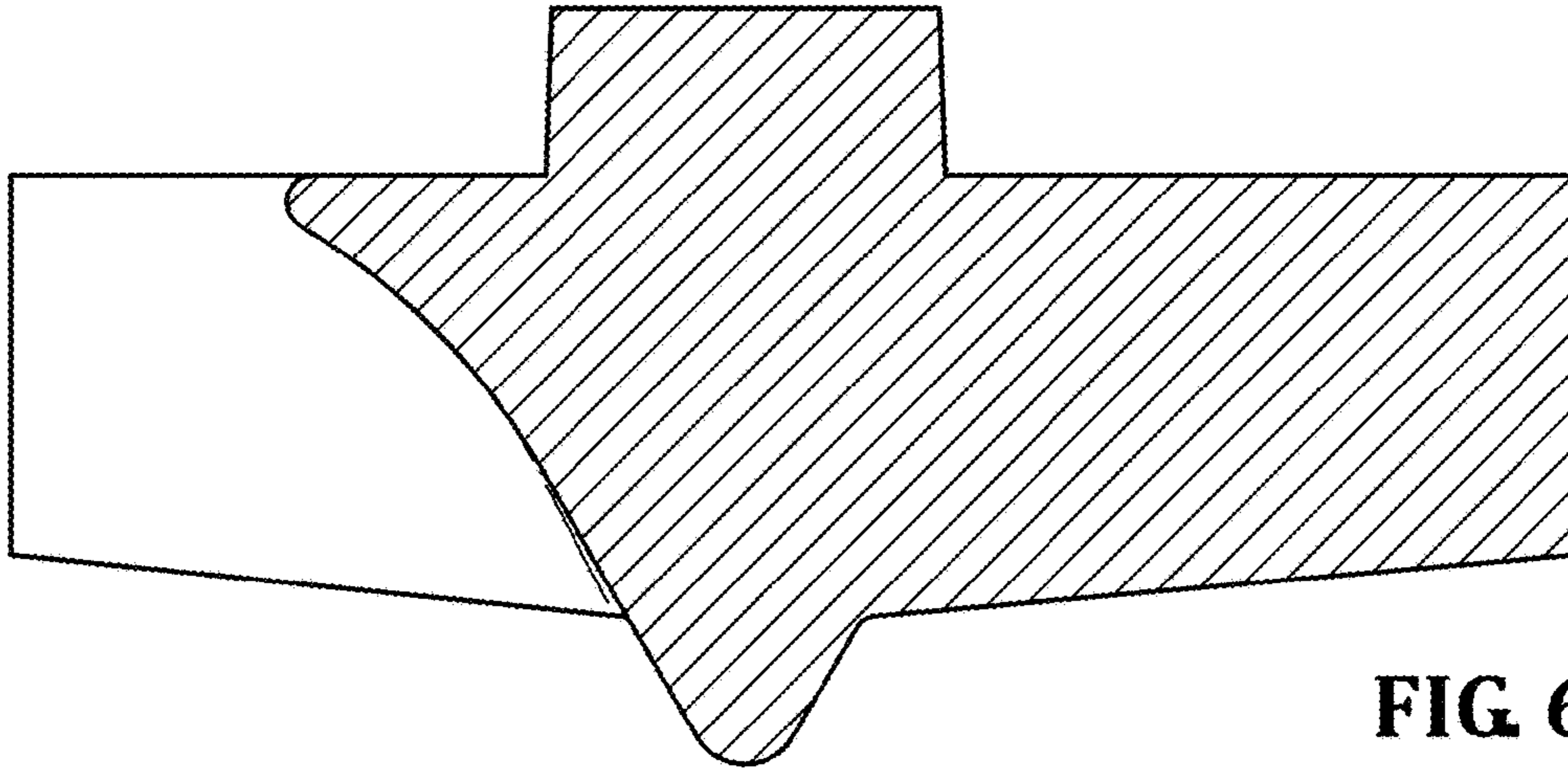


FIG 6

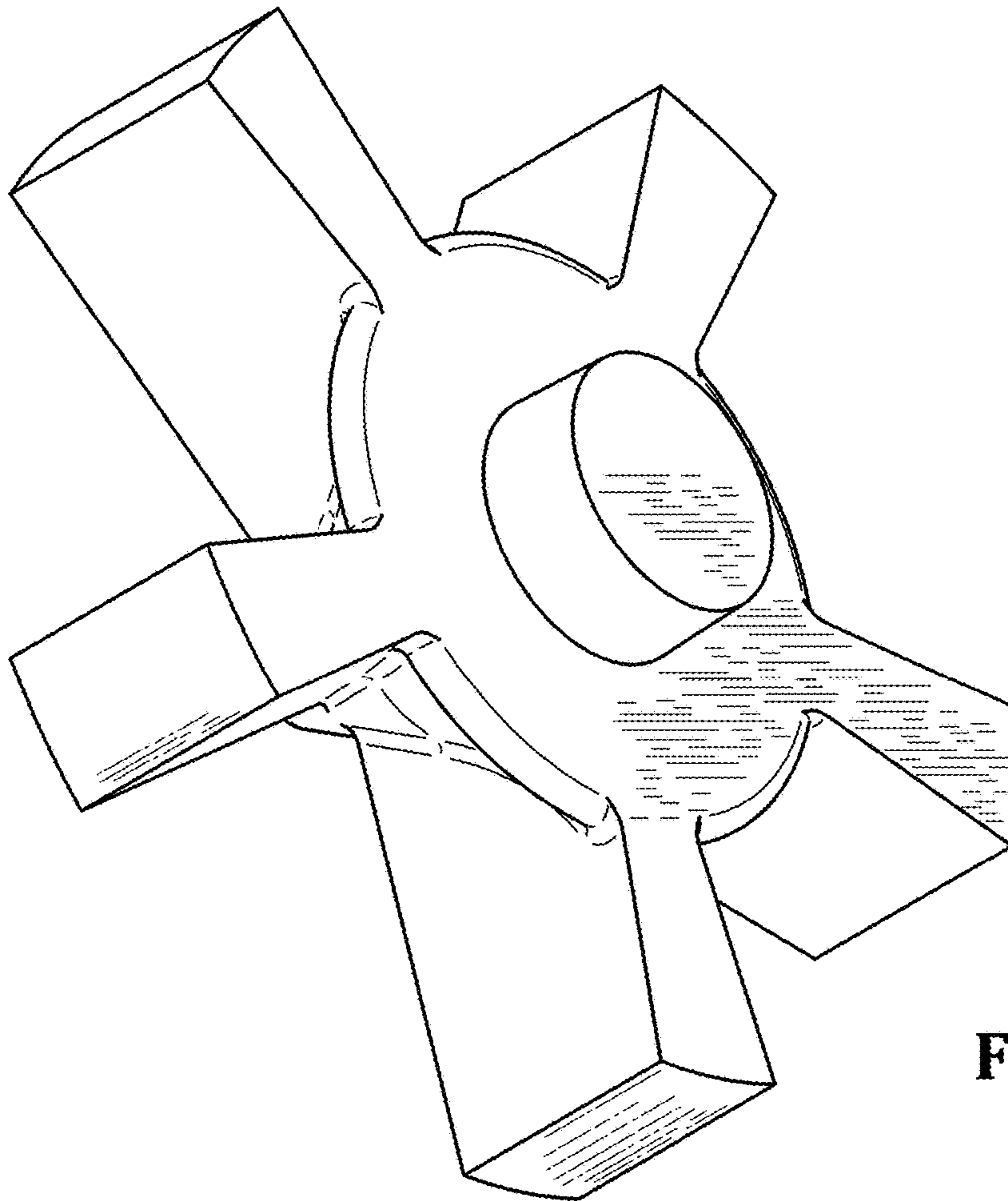


FIG 7