



US00D806753S

(12) **United States Design Patent**
Wood

(10) **Patent No.:** **US D806,753 S**
(45) **Date of Patent:** **** Jan. 2, 2018**

(54) **COMPRESSOR**
(71) Applicant: **Wood Industries Inc.**, Belmont, MS (US)
(72) Inventor: **Jeffery O. Wood**, Belmont, MS (US)
(73) Assignee: **Wood Industries Inc.**, Belmont, MS (US)
(**) Term: **15 Years**

7,909,584 B2 * 3/2011 Etter F04B 35/06
417/234
8,167,579 B2 * 5/2012 Schultz F04B 35/06
417/234
D664,996 S * 8/2012 Hsiao D15/9
8,303,262 B1 * 11/2012 Hawkins F04B 17/05
280/6.155
8,313,309 B1 * 11/2012 Hawkins F04B 17/05
280/6.155
8,398,097 B2 * 3/2013 Junk B08B 3/026
123/195 R
D680,555 S * 4/2013 Craig D15/7
D680,556 S * 4/2013 Craig D15/7

(21) Appl. No.: **29/582,901**

(22) Filed: **Oct. 31, 2016**

(51) **LOC (11) Cl.** **15-02**

(52) **U.S. Cl.**
USPC **D15/7**

(58) **Field of Classification Search**
USPC D15/7-9; D23/231, 232, 225; 417/60,
417/235, 265, 321, 355, 358, 363, 359,
417/410.1, 415-416, 405, 900, 269, 539,
417/234; 60/408, 412; 184/26-37;
415/140-147; 123/495, 509; 137/565.34
CPC F02M 37/04; F02M 37/14; F04B 53/92;
F04B 1/005
See application file for complete search history.

(56) **References Cited**

U.S. PATENT DOCUMENTS

D461,196 S * 8/2002 Buck D15/9
D482,371 S * 11/2003 Buck D15/9
D499,747 S * 12/2004 Buck D15/9
6,923,627 B1 * 8/2005 Wood F04B 35/06
137/557
7,029,240 B2 * 4/2006 Baron F04B 35/06
417/234
7,163,382 B1 * 1/2007 Stilwell F04B 35/06
417/234
D541,306 S * 4/2007 Welsh D15/9
D603,871 S * 11/2009 Steinfels D15/7

Primary Examiner — Ralf Seifert

(74) *Attorney, Agent, or Firm* — Waller Lansden Dortch & Davis, LLP; Matthew C. Cox

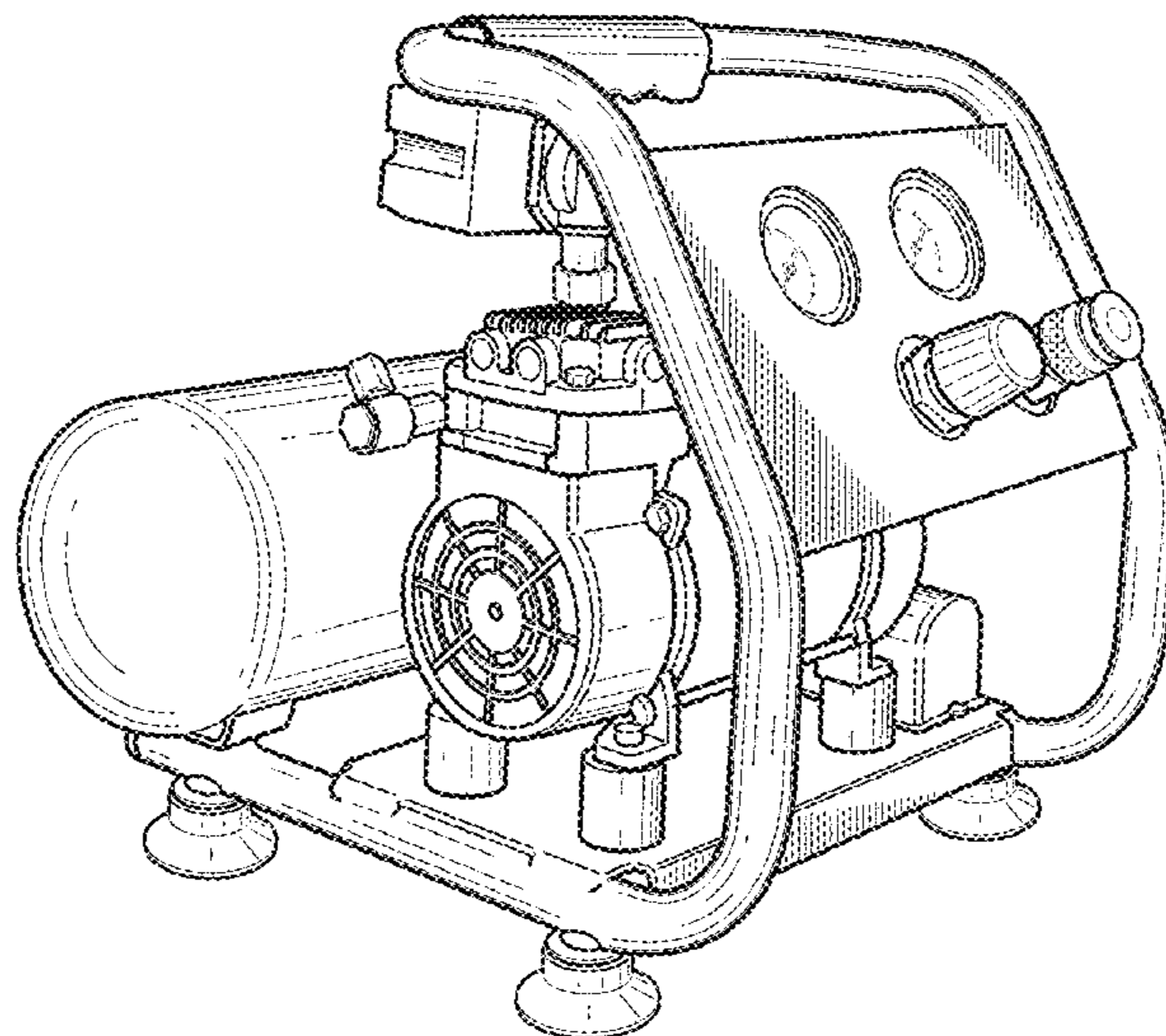
(57) **CLAIM**

What is claimed is the ornamental design for a “compressor,” as shown and described.

DESCRIPTION

FIG. 1 is a right side perspective view of the “compressor” of Applicant’s invention.
FIG. 2 is a left side perspective view of the “compressor” of Applicant’s invention.
FIG. 3 is a right side elevation view of the “compressor” of Applicant’s invention.
FIG. 4 is a left side elevation view of the “compressor” of Applicant’s invention.
FIG. 5 is a front elevation view of the “compressor” of Applicant’s invention.
FIG. 6 is a back elevation view of the “compressor” of Applicant’s invention.
FIG. 7 is a top view of the “compressor” of Applicant’s invention; and,
FIG. 8 is a bottom view of the “compressor” of Applicant’s invention.

1 Claim, 8 Drawing Sheets



(56)

References Cited

U.S. PATENT DOCUMENTS

8,727,233 B2 *	5/2014	Karp	B08B 3/026
			239/1
D710,902 S *	8/2014	Vintzel	D15/9
D710,903 S *	8/2014	Vintzel	D15/9
D776,168 S *	1/2017	Balma	D15/9

* cited by examiner

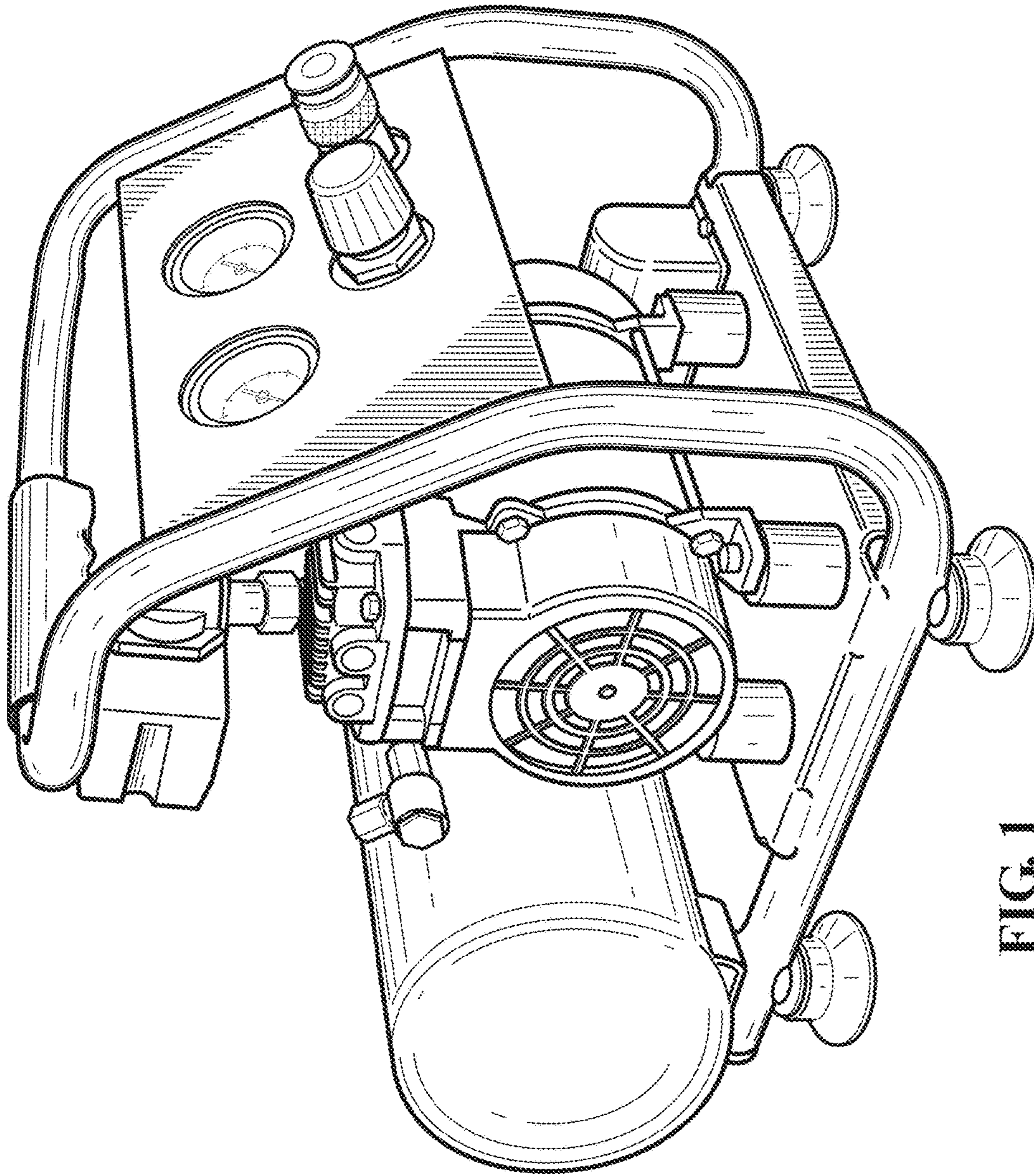


FIG. 1

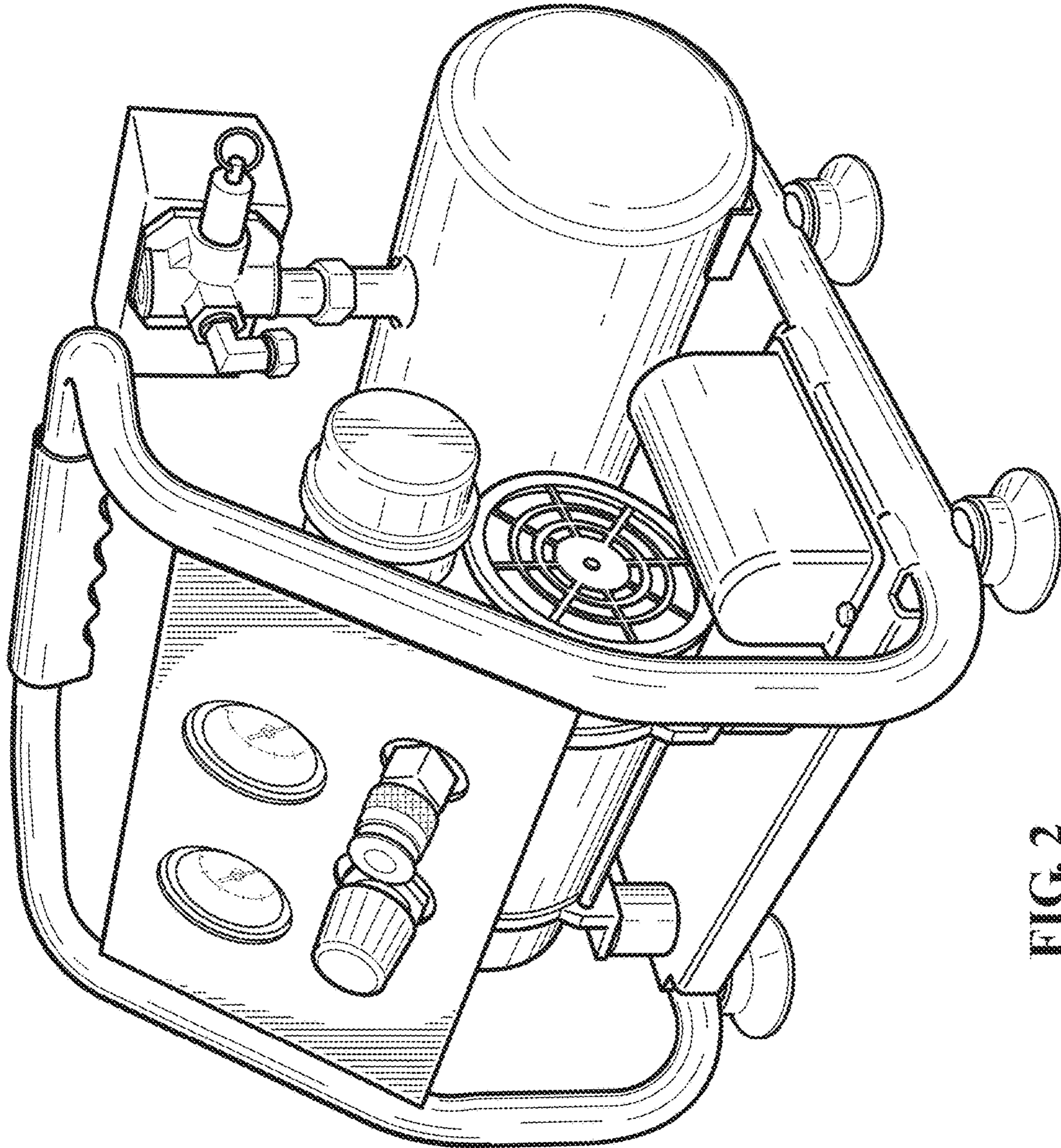


FIG. 2

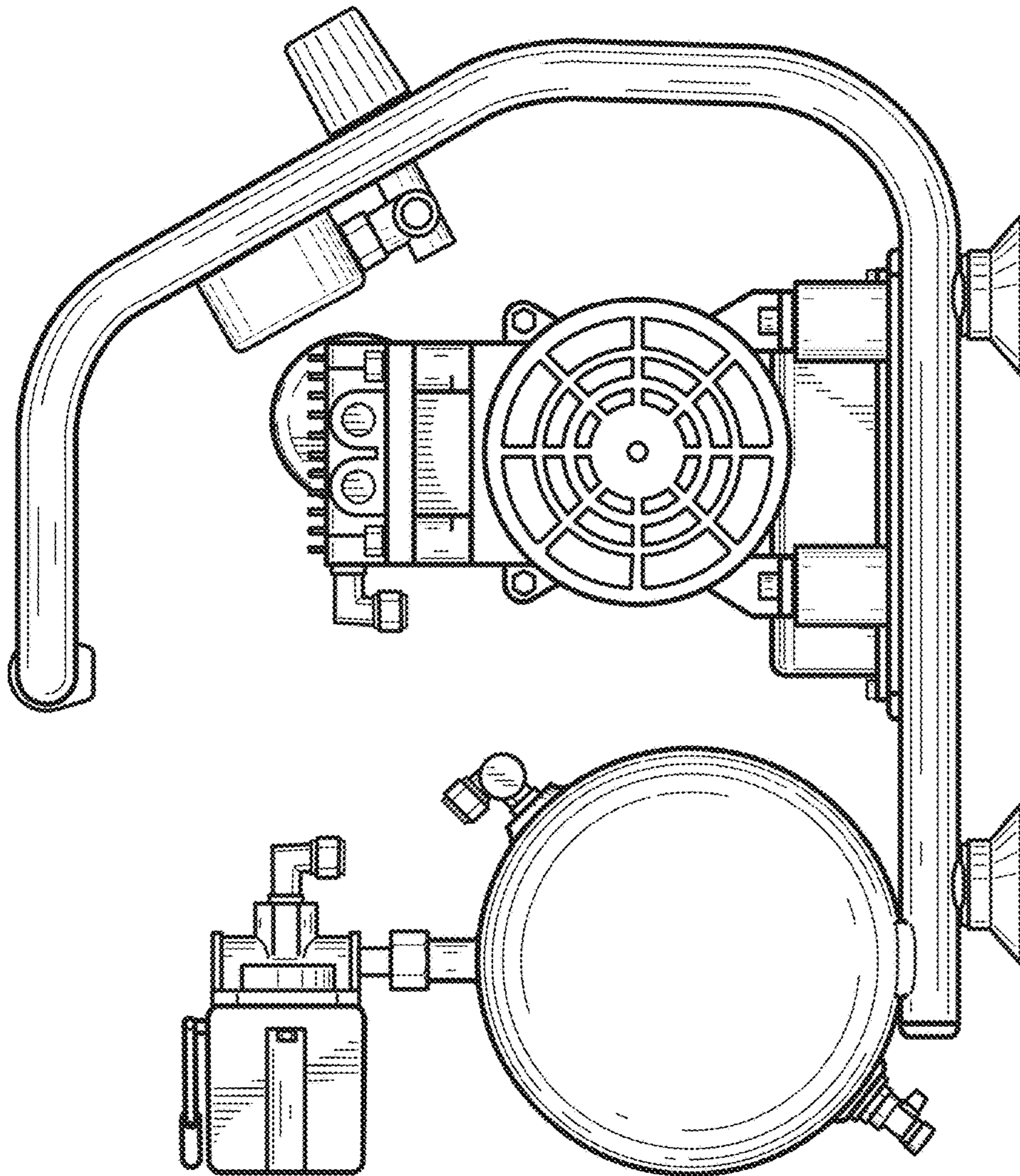


FIG. 3

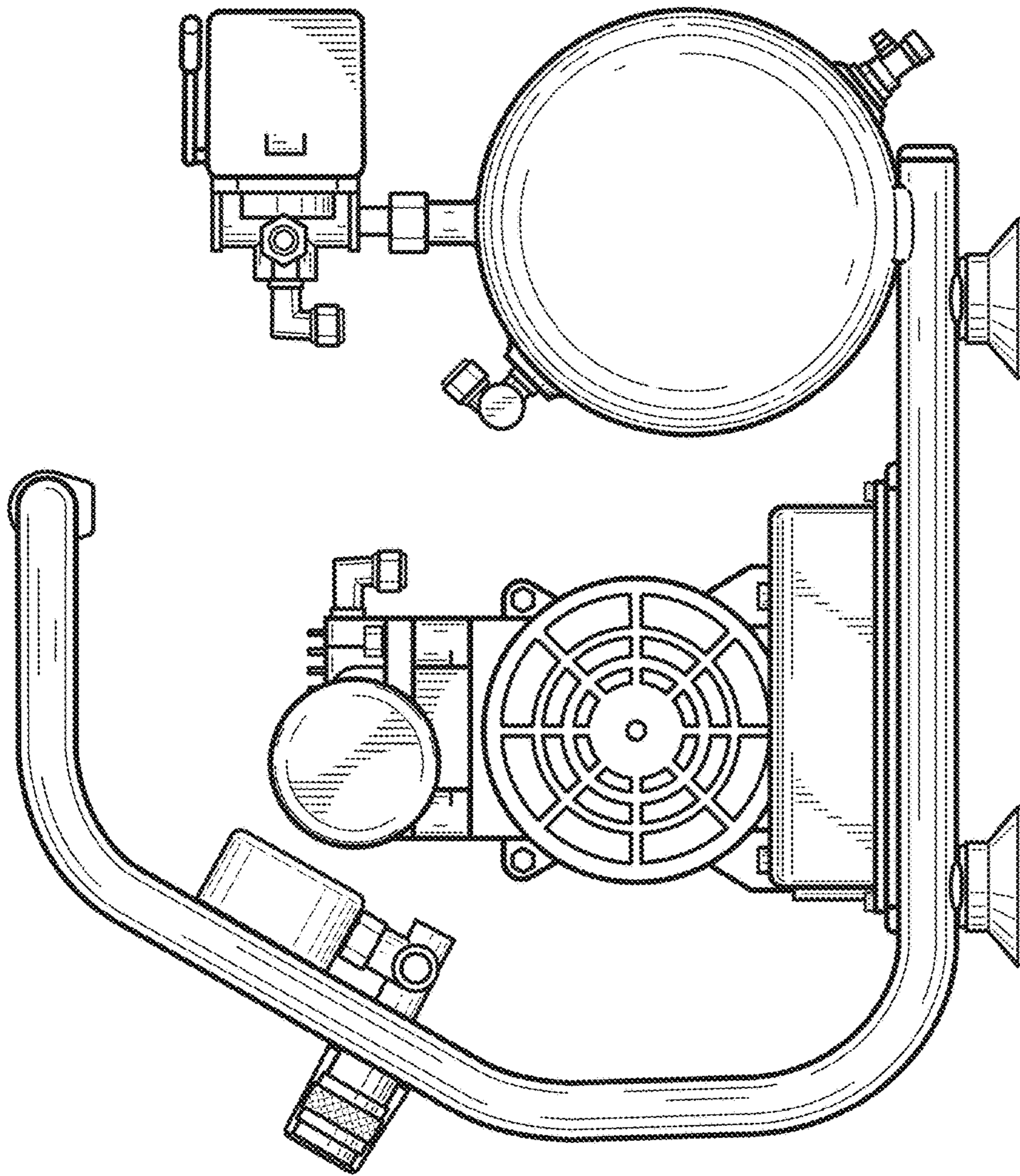


FIG. 4

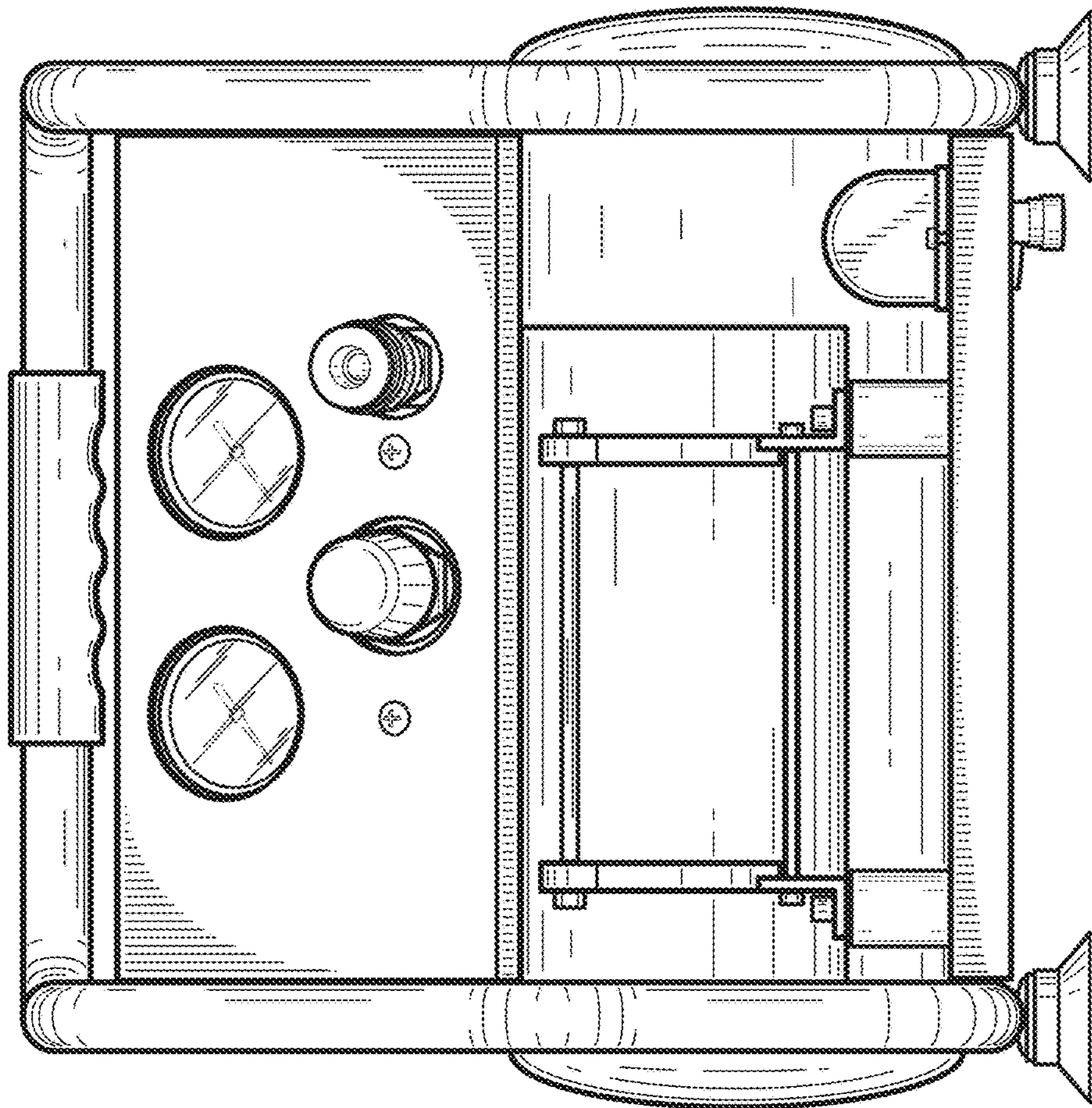


FIG. 5

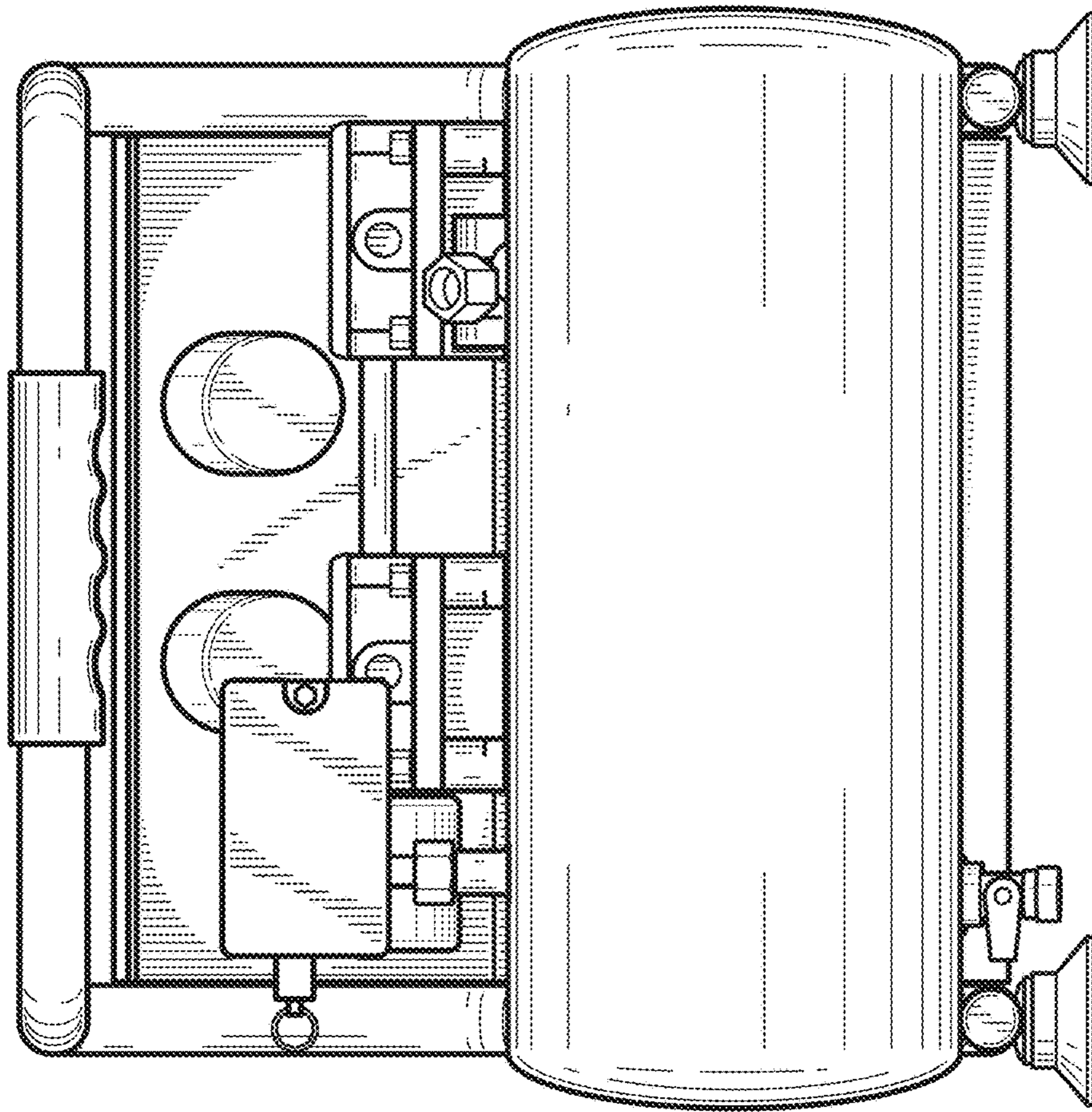


FIG. 6

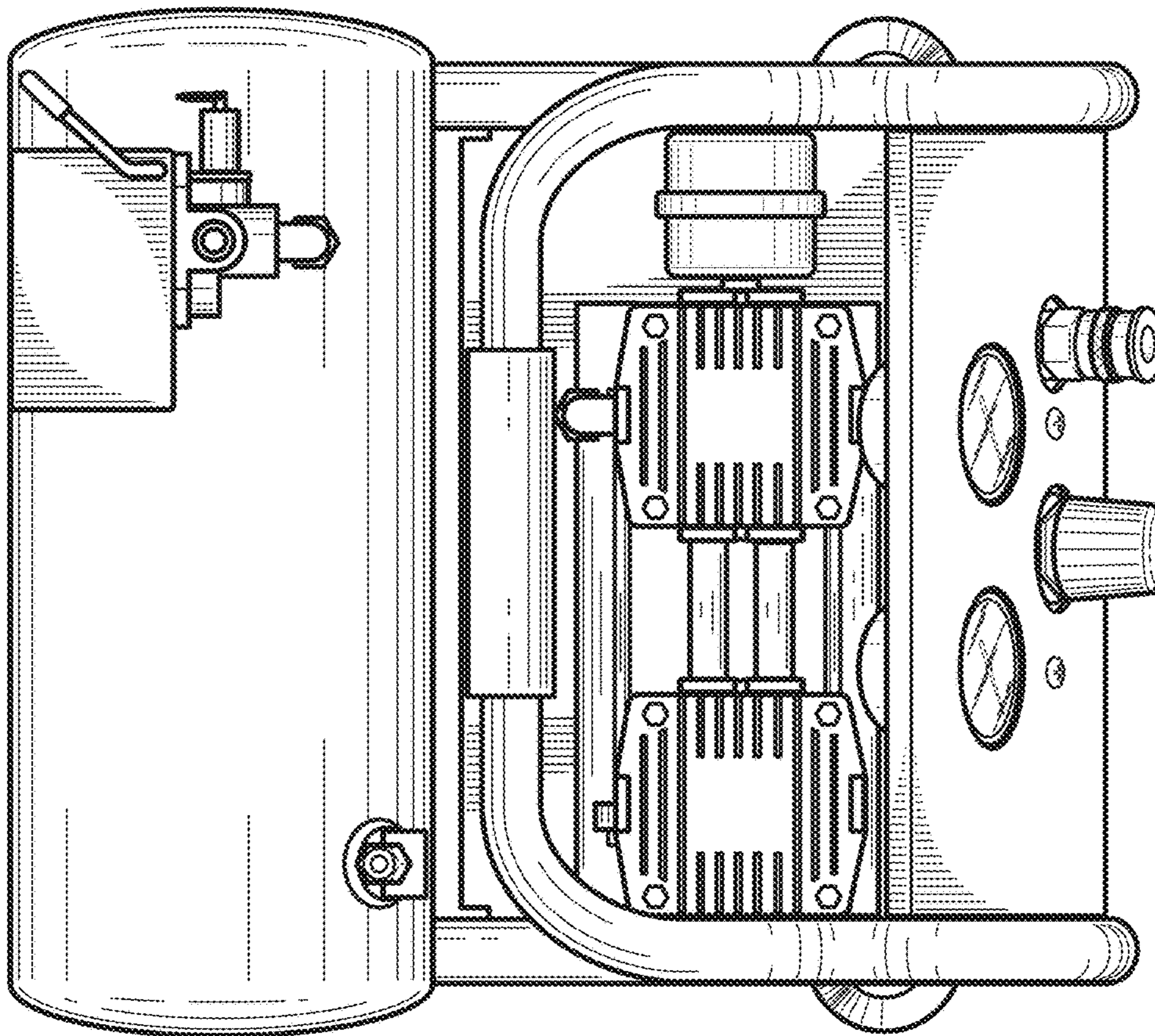


FIG. 7

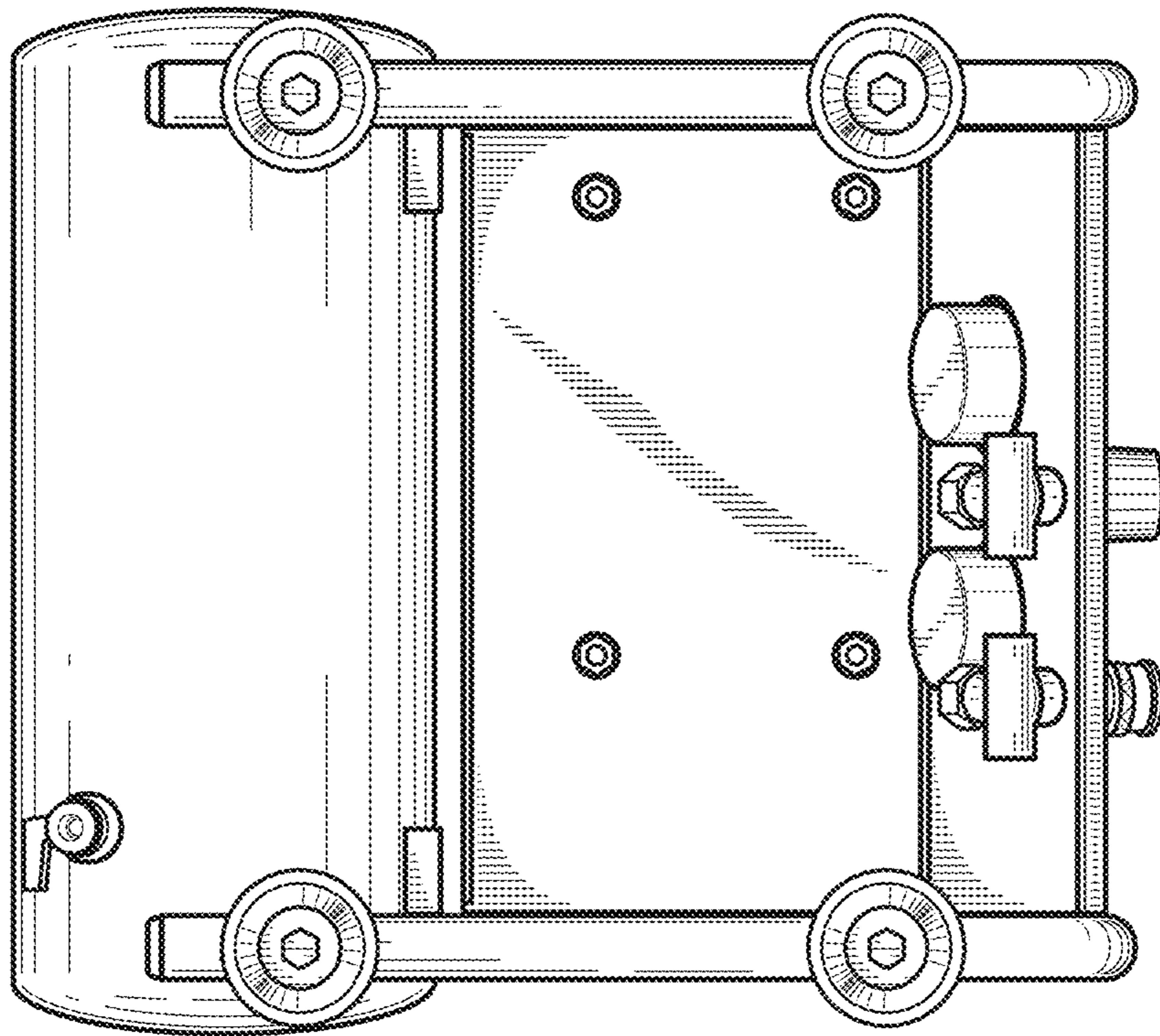


FIG. 8