



US00D806725S

(12) **United States Design Patent** (10) **Patent No.:** **US D806,725 S**
Ryu (45) **Date of Patent:** **** Jan. 2, 2018**

(54) **VEHICLE DASHBOARD WITH ANIMATED GRAPHICAL USER INTERFACE**

(71) Applicant: **LG ELECTRONICS INC., Seoul (KR)**

(72) Inventor: **Seungwon Ryu, Seoul (KR)**

(73) Assignee: **LG ELECTRONICS INC., Seoul (KR)**

(**) Term: **15 Years**

(21) Appl. No.: **35/501,518**

(22) Filed: **Mar. 9, 2016**

(80) **Hague Agreement Data**

Int. Filing Date: **Mar. 9, 2016**
Int. Reg. No.: **DM/091495**
Int. Reg. Date: **Mar. 9, 2016**
Int. Reg. Pub. Date: **Sep. 9, 2016**

(30) **Foreign Application Priority Data**

Sep. 10, 2015 (KR) 30-2015-0046036

(51) **LOC (11) Cl.** **14-04**

(52) **U.S. Cl.**
USPC **D14/485**

(58) **Field of Classification Search**
USPC D14/485-488, 490, 494, 489, 491-493, D14/495
CPC . G06F 3/0482; G06F 3/04842; G06F 3/04817
See application file for complete search history.

(56) **References Cited**

U.S. PATENT DOCUMENTS

D452,693 S * 1/2002 Mitchell D14/492
D555,164 S * 11/2007 Sergio D14/486

D602,037 S * 10/2009 Nash D14/486
D752,072 S * 3/2016 Song D14/486
D752,618 S * 3/2016 Lee D14/486
D760,244 S * 6/2016 Lv D14/485
D762,222 S * 7/2016 Damgaard-Sorensen ... D14/485
D764,493 S * 8/2016 Sanderson D14/485
D772,255 S * 11/2016 Taylor D14/486
D776,152 S * 1/2017 Park D14/488
D780,772 S * 3/2017 Kim D14/485
D784,390 S * 4/2017 Dye D14/486
D786,897 S * 5/2017 Nageli D14/485

* cited by examiner

Primary Examiner — Eric Goodman

Assistant Examiner — Nicole Shiflet

(74) *Attorney, Agent, or Firm* — Birch, Stewart, Kolasch & Birch, LLP

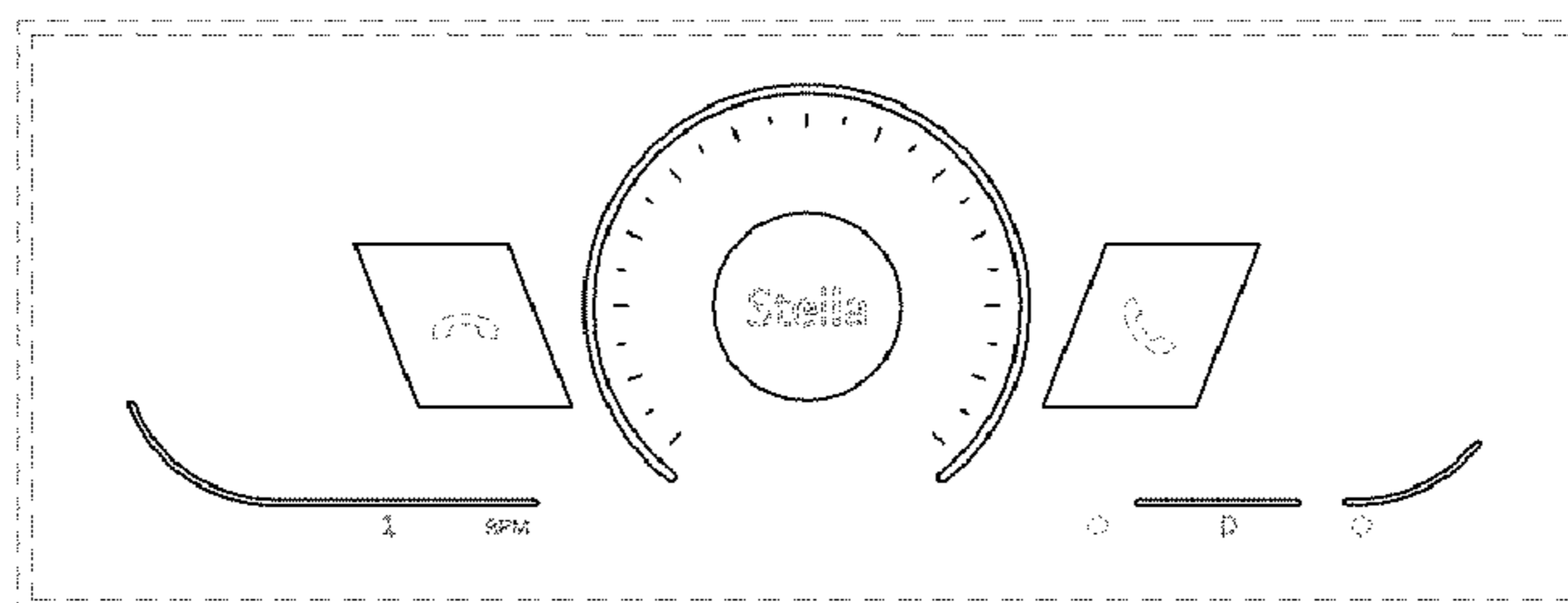
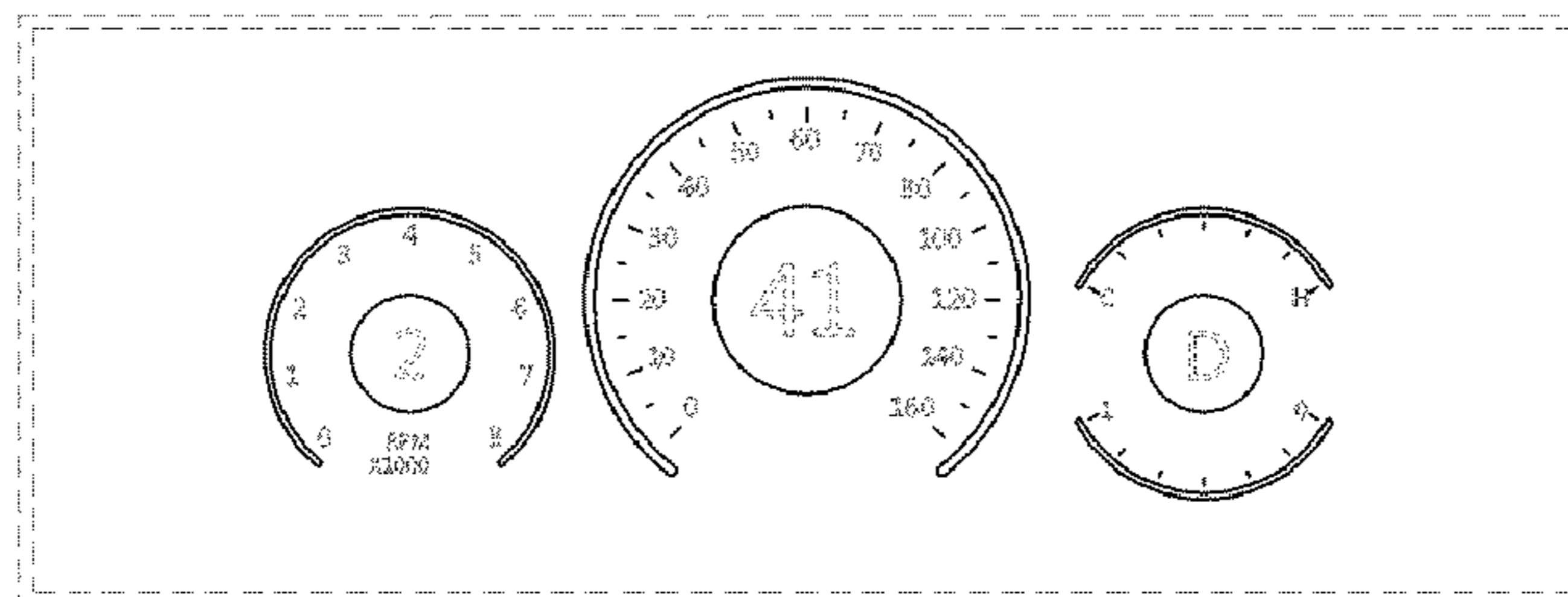
(57) **CLAIM**

The ornamental design for a vehicle dashboard with animated graphical user interface, as shown and described.

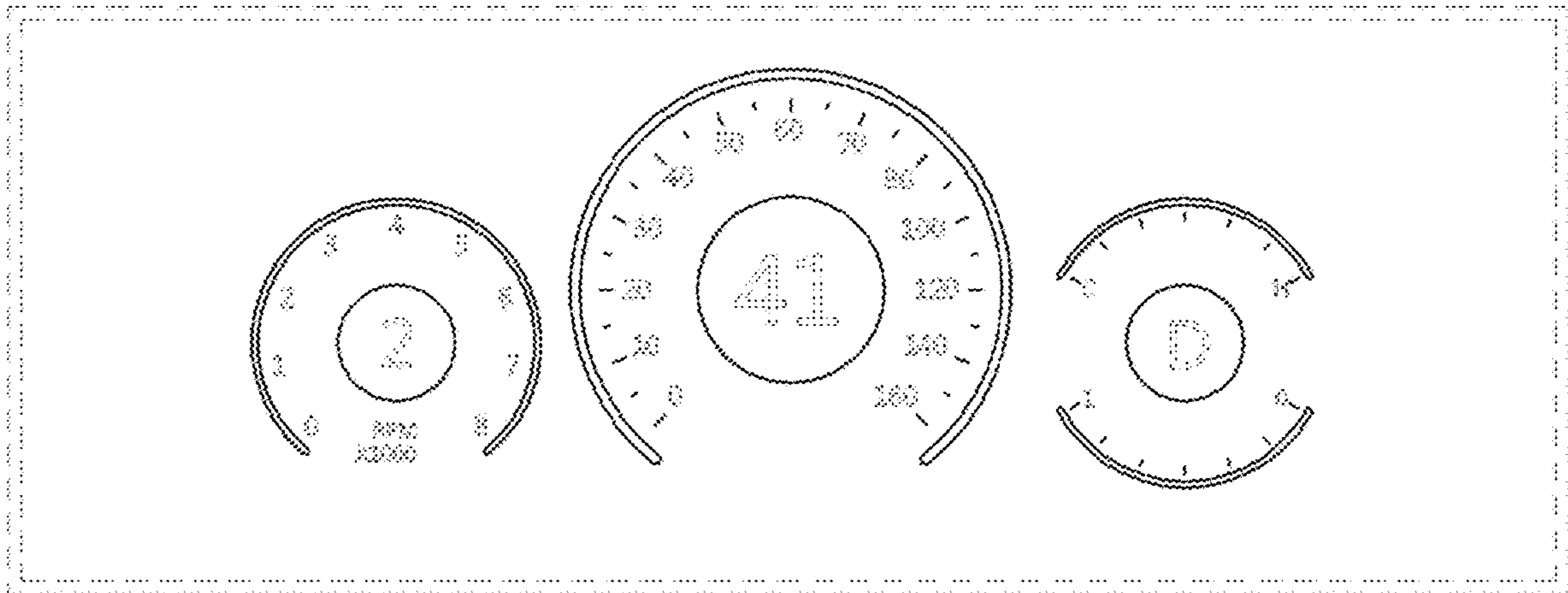
DESCRIPTION

1. Vehicle dashboard with animated graphical user interface
1.1 is a front view of the first image in a sequence for a vehicle dashboard with animated graphical user interface showing our new design;
1.2 is a front view of the second image thereof;
1.3 is a front view of the third image thereof;
1.4 is a front view of the fourth image thereof; and
1.5 is a front view of the fifth image thereof.
The appearance of the animated graphical user interface sequentially transitions between the images shown in **1.1-1.5**. The process or period in which on image transitions to another forms no part of the claimed design. The broken lines showing the vehicle dashboard and portions of the graphical user interface form no part of the claimed design.

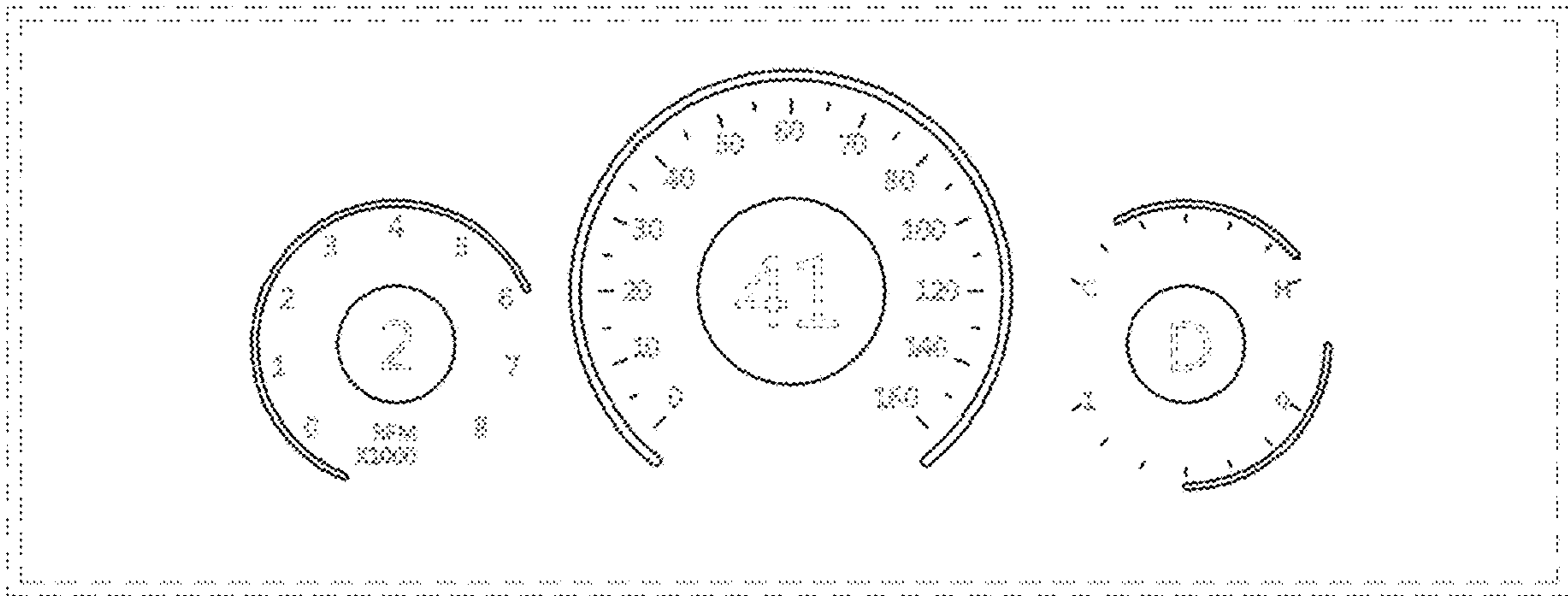
1 Claim, 5 Drawing Sheets



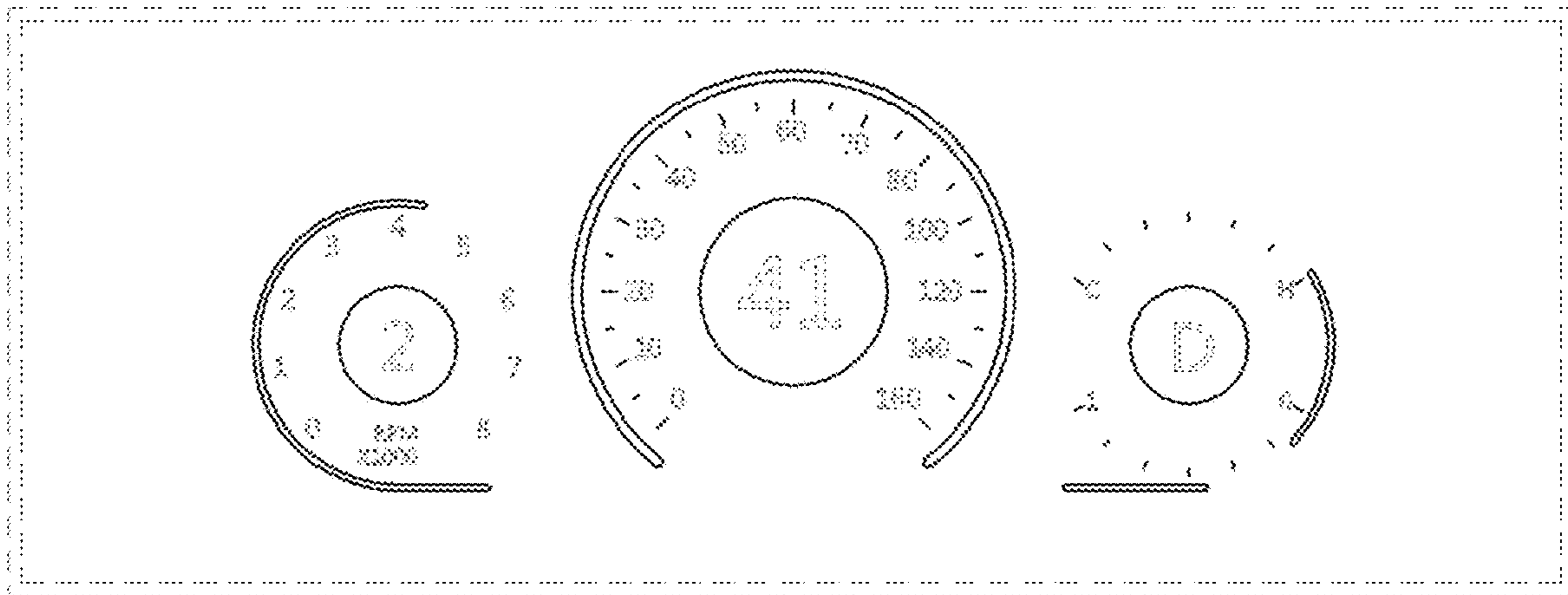
1.1



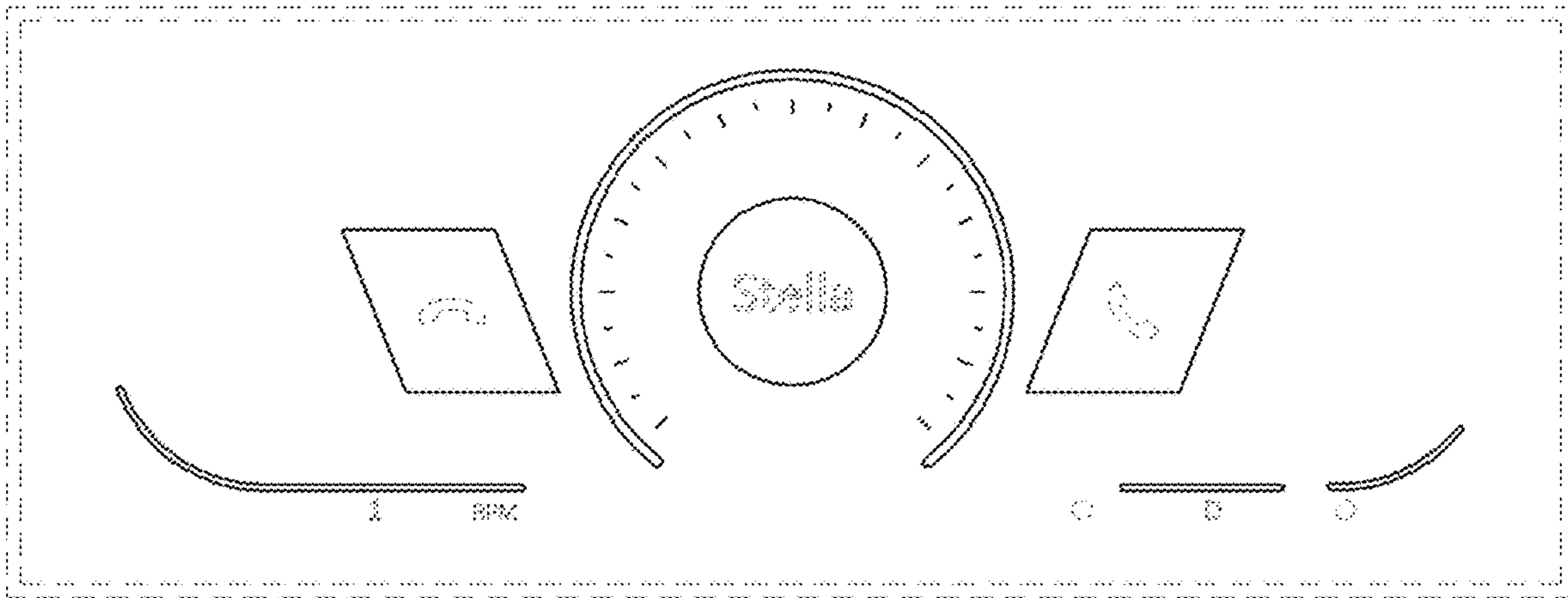
1.2



1.3



1.4



1.5

