



US00D806715S

(12) **United States Design Patent**
Chen

(10) **Patent No.:** **US D806,715 S**
(45) **Date of Patent:** **** Jan. 2, 2018**

- (54) **MINI-CHARGER WITH KEY CHAIN**
- (71) Applicant: **Pengcheng Chen**, Guangdong (CN)
- (72) Inventor: **Pengcheng Chen**, Guangdong (CN)
- (**) Term: **15 Years**
- (21) Appl. No.: **29/565,548**
- (22) Filed: **May 22, 2016**
- (51) **LOC (11) Cl.** **14-02**
- (52) **U.S. Cl.**
USPC **D14/480.6**
- (58) **Field of Classification Search**
USPC D14/480.1–480.7, 435.1, 411, 433, 436,
D14/484.1, 137, 155, 203.1–203.8, 240,
D14/242; D13/133, 154
CPC H05K 5/0278; G06K 19/07732
See application file for complete search history.

- D749,600 S * 2/2016 Emami D14/480.6
- D754,141 S * 4/2016 Billington D14/480.6
- D788,108 S * 5/2017 Cai D14/411
- 2010/0304586 A1* 12/2010 Ma H05K 5/0278
439/131
- 2011/0237099 A1* 9/2011 Ni G06K 19/07732
439/142
- 2015/0109725 A1* 4/2015 Lin H05K 5/0217
361/679.31

* cited by examiner

Primary Examiner — Angela J Lee

(74) *Attorney, Agent, or Firm* — Scott H. Kaliko, Esq.;
Kaliko & Associates, LLC

(57) **CLAIM**

The ornamental design for a mini-charger with key chain, as shown and described.

DESCRIPTION

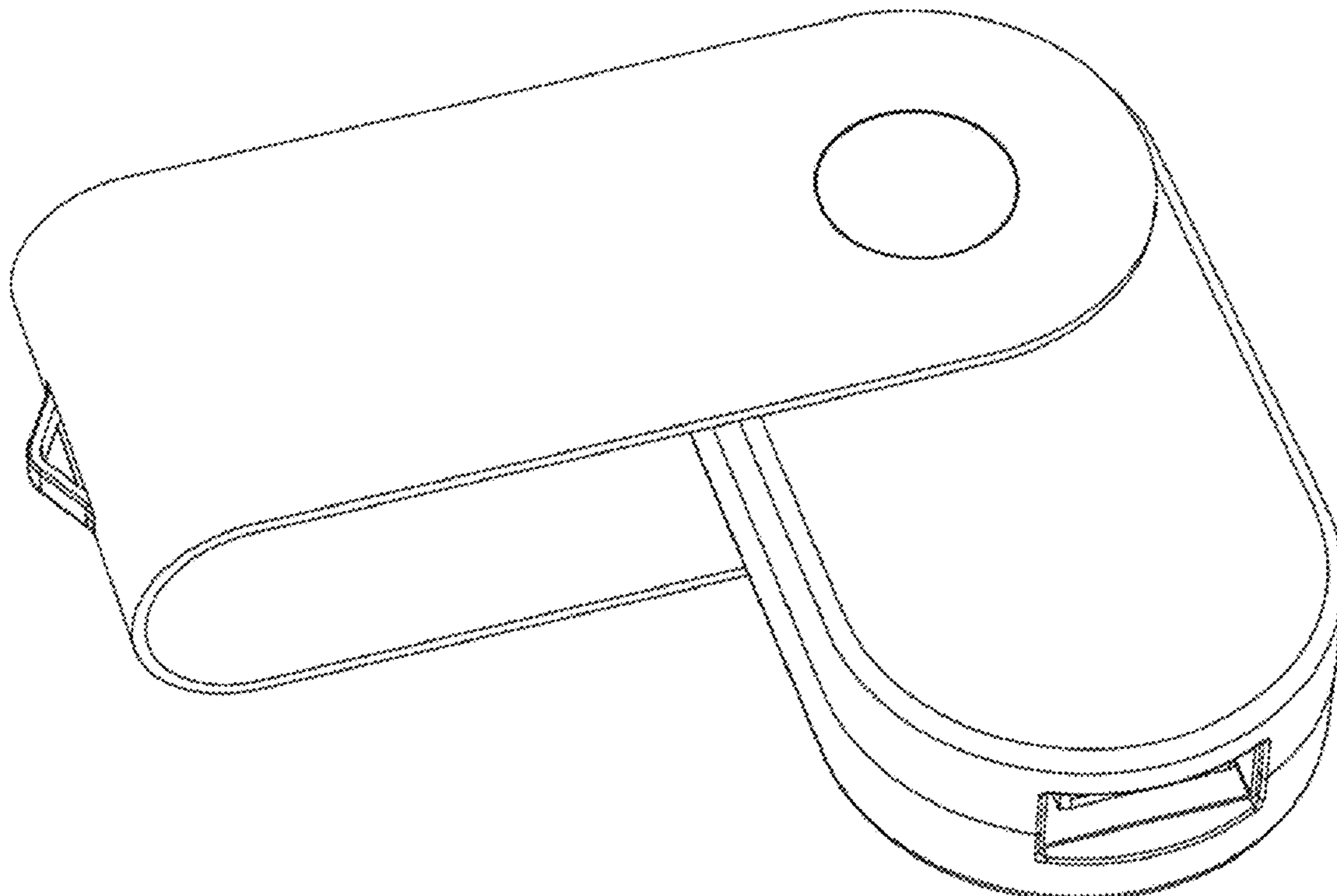
FIG. 1 is a perspective view of the present invention;
FIG. 2 is a perspective view of the present invention;
FIG. 3 is a front view of the present invention;
FIG. 4 is a back view of the present invention;
FIG. 5 is a side view of the present invention;
FIG. 6 is a side view of the present invention;
FIG. 7 is a top view of the present invention; and,
FIG. 8 is a bottom view of the present invention.

1 Claim, 7 Drawing Sheets

(56) **References Cited**

U.S. PATENT DOCUMENTS

- D581,926 S * 12/2008 Kim D14/480.6
- D594,871 S * 6/2009 Ma D14/480.6
- D620,015 S * 7/2010 Nan D14/480.6
- D622,278 S * 8/2010 Ma D14/480.6
- 8,514,560 B2 * 8/2013 Wu H05K 5/0208
361/679.31
- D705,235 S * 5/2014 Slemp D14/480.6
- D712,414 S * 9/2014 Tsai D14/480.6



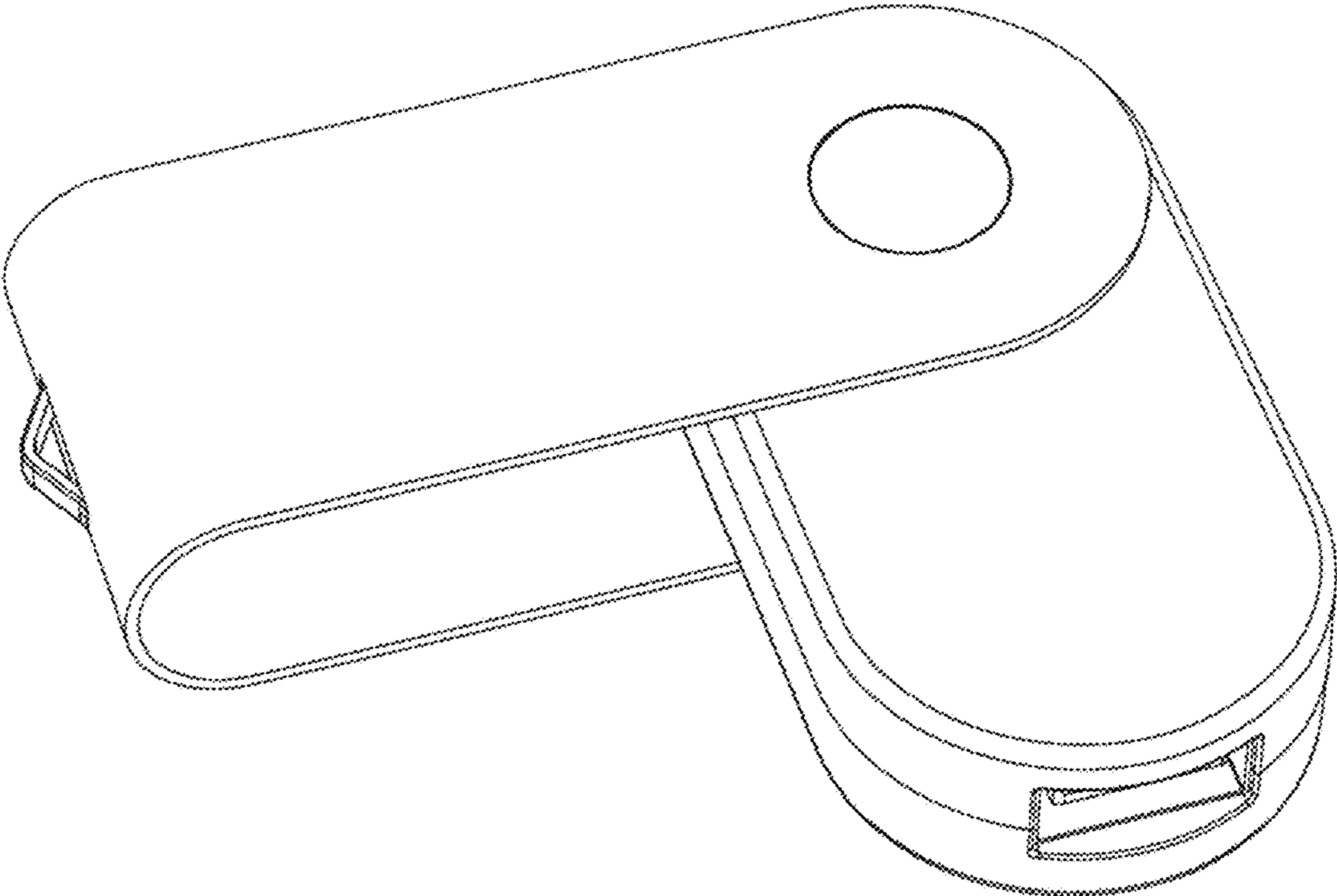


FIGURE 1

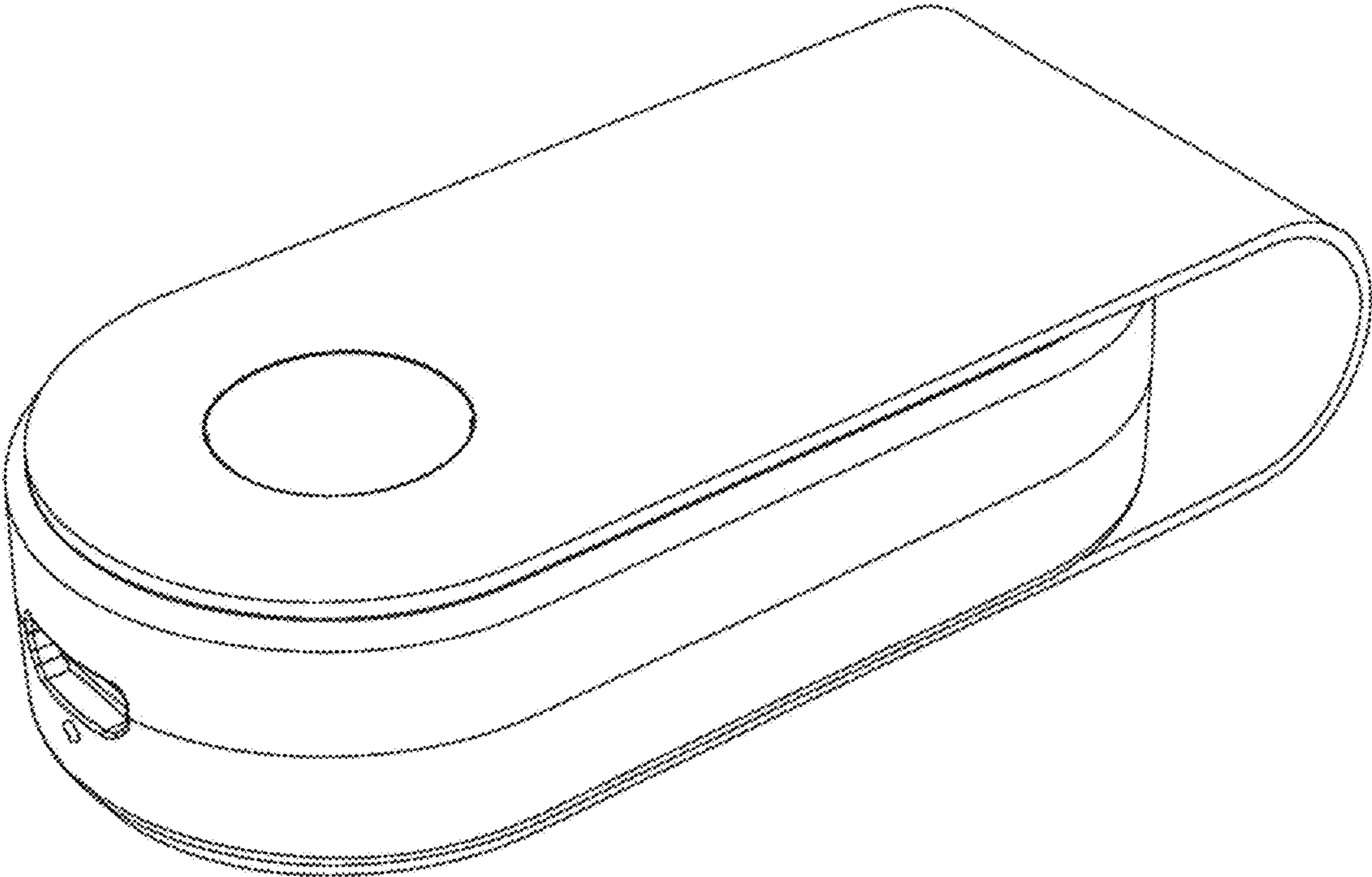


FIGURE 2

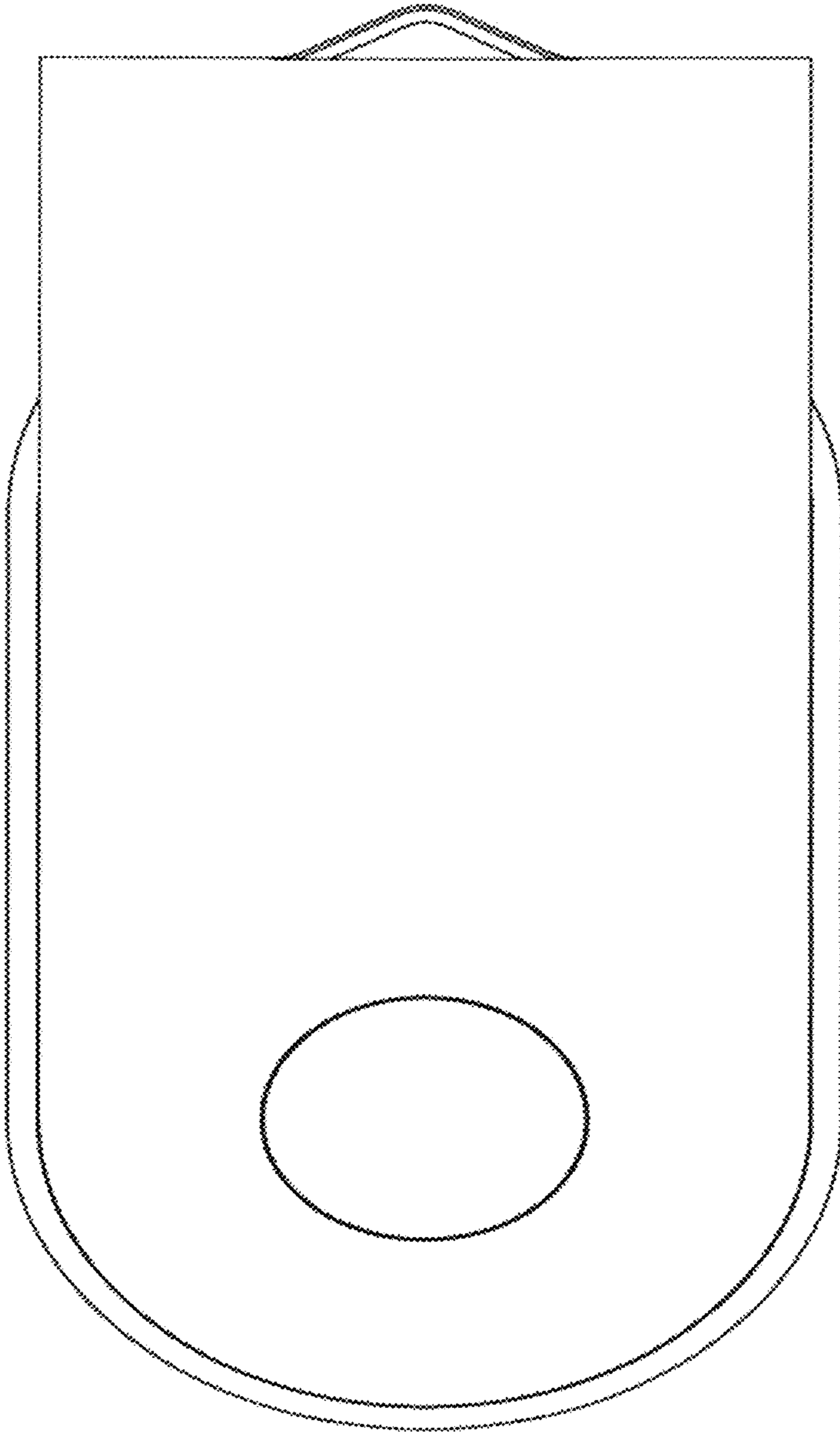


FIGURE 3

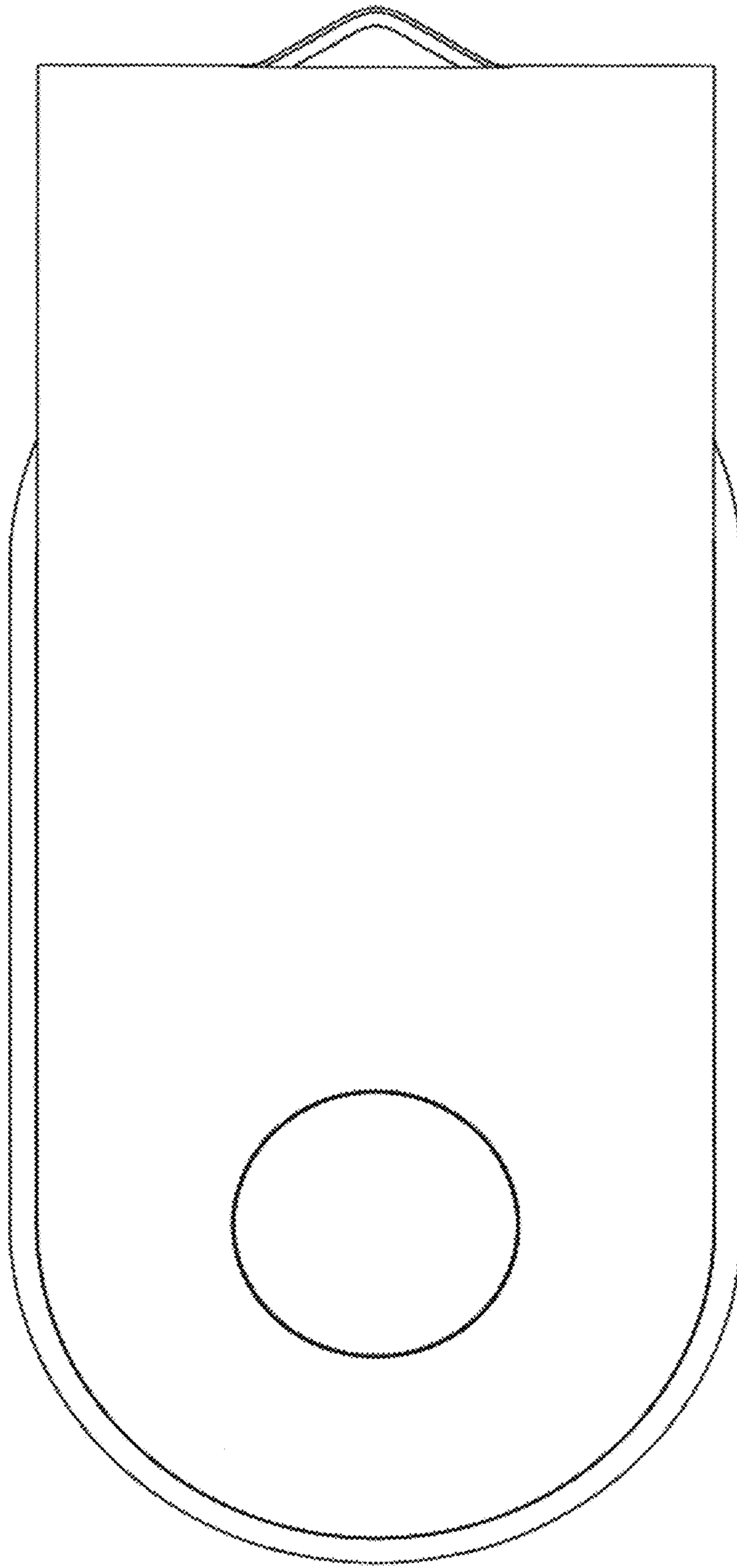


FIGURE 4

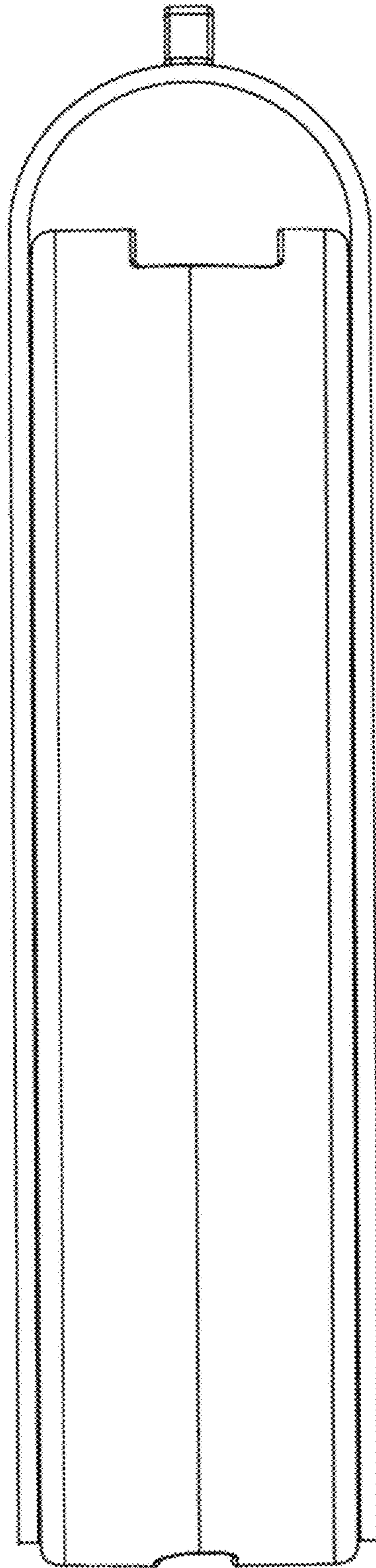


FIGURE 5

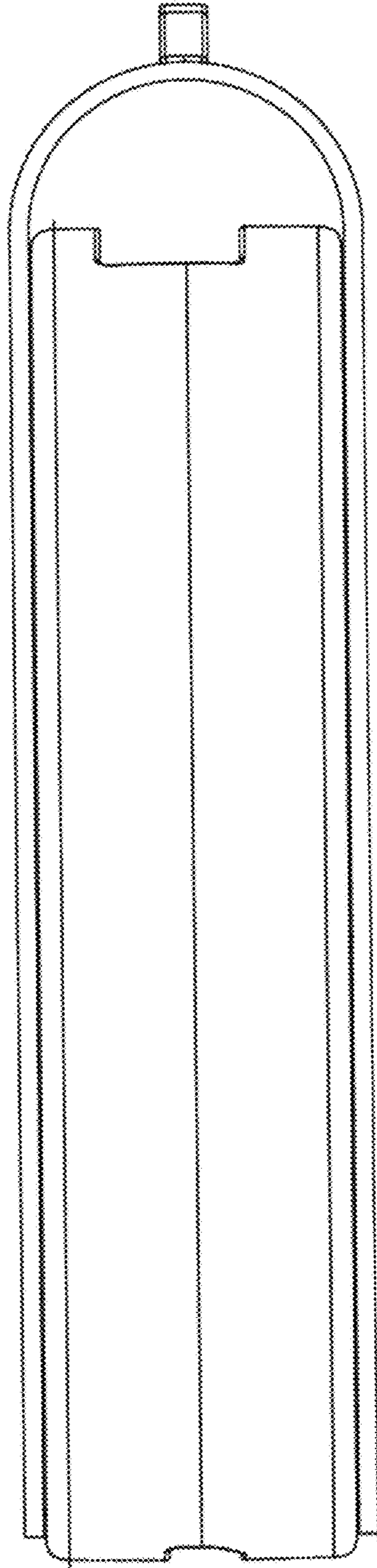


FIGURE 6

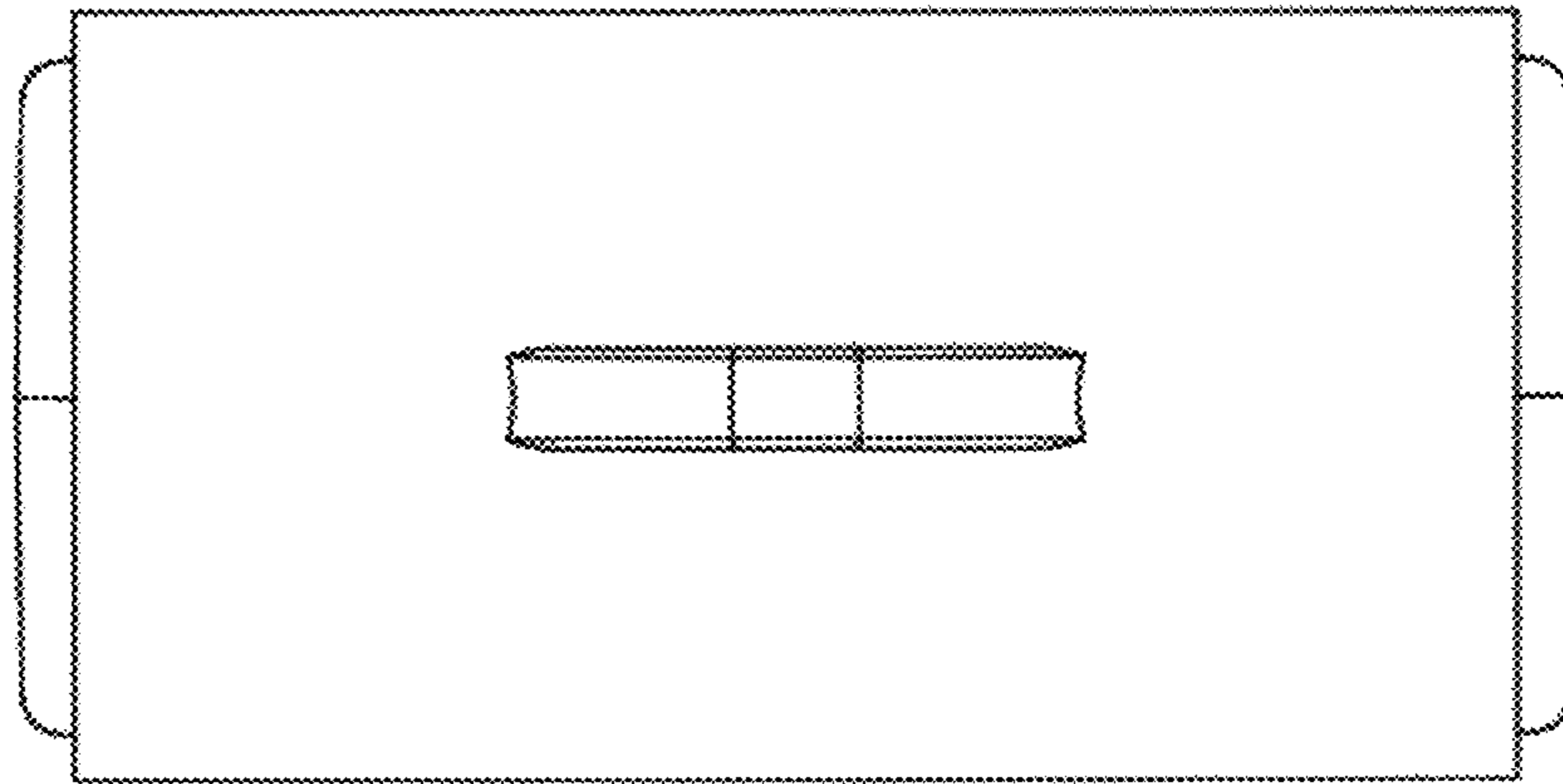


FIGURE 7

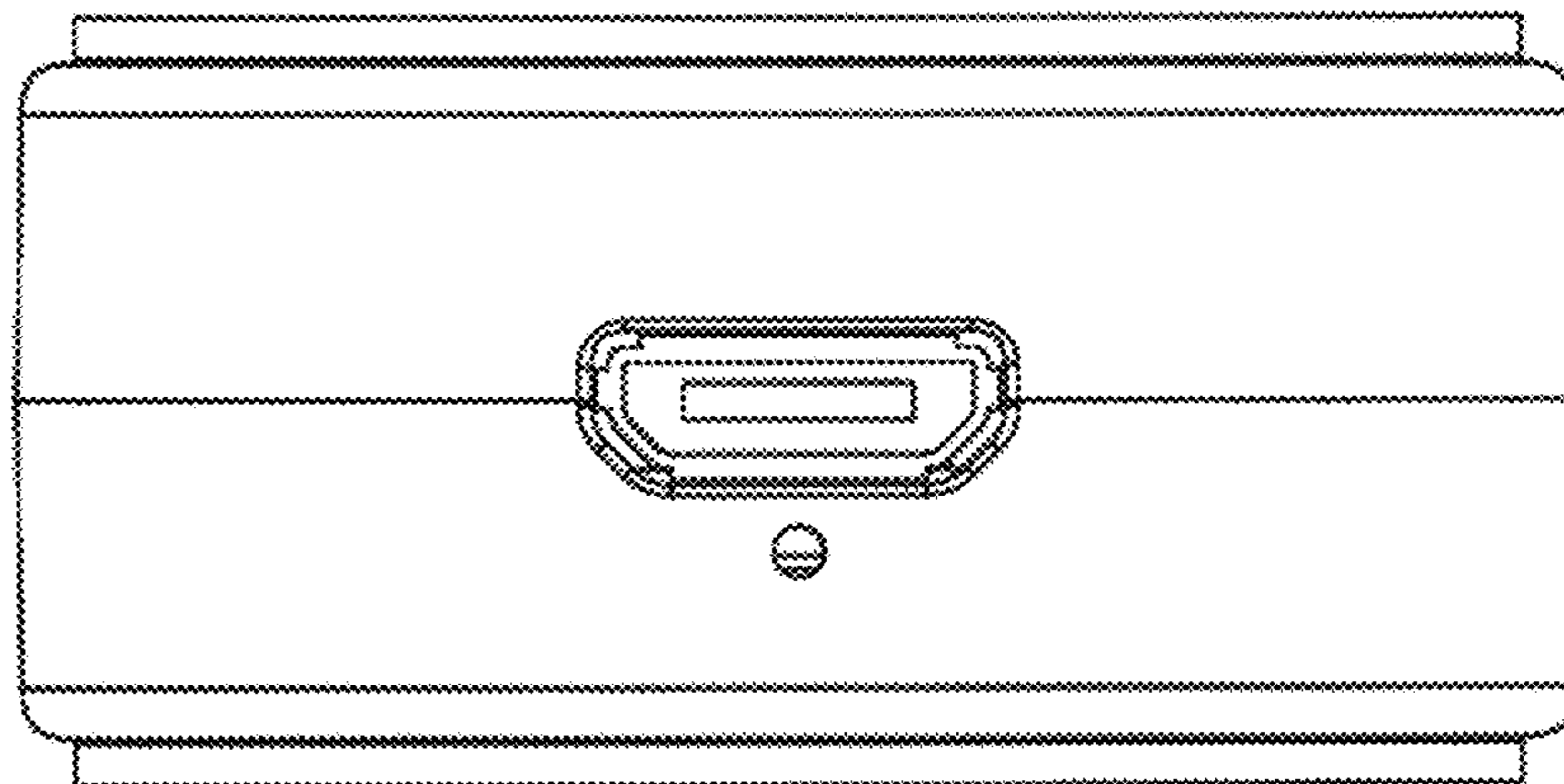


FIGURE 8