



US00D806714S

(12) **United States Design Patent**  
**Nelson et al.**

(10) **Patent No.:** **US D806,714 S**  
(45) **Date of Patent:** **\*\* Jan. 2, 2018**

(54) **STAND FOR HANDHELD ELECTRONIC DEVICE**

(71) Applicant: **Mobile Tech, Inc.**, Lake Oswego, OR (US)

(72) Inventors: **Ed Nelson**, Hillsboro, OR (US); **Mitch Hose**, Hillsboro, OR (US); **Lincoln Wilde**, Hillsboro, OR (US)

(73) Assignee: **Mobile Tech, Inc.**, Lake Oswego, OR (US)

(\*\*) Term: **15 Years**

(21) Appl. No.: **29/605,581**

(22) Filed: **May 26, 2017**

(51) **LOC (11) Cl.** ..... **08-07**

(52) **U.S. Cl.**  
USPC ..... **D14/447**

(58) **Field of Classification Search**  
USPC ..... D14/447, 432, 434, 439, 440, 451, 452, D14/457, 239; D8/363, 373, 380, 406.3, D8/406.4, 406.5, 406.6; D12/415  
CPC ..... A47B 21/04; A47B 2097/006; A47B 2097/005; A47B 2023/049; A45C 2011/002; A45C 2011/003; F16M 2200/00; F16M 13/00

See application file for complete search history.

(56) **References Cited**

**U.S. PATENT DOCUMENTS**

D309,307 S	7/1990	Sigurdson	
D337,333 S	7/1993	Turk	
D495,536 S	9/2004	Lucht	
D522,010 S	5/2006	Piazza et al.	
D545,825 S	7/2007	Richter	
D545,826 S	7/2007	Richter	
D562,331 S *	2/2008	Li	D14/451
D567,810 S	4/2008	Yeh	

D576,615 S	9/2008	Richter	
D587,188 S	2/2009	Mo	
D589,964 S	4/2009	Heggland et al.	
D594,251 S	6/2009	Leyden	
D602,024 S	10/2009	Richter	
D602,025 S *	10/2009	Richter	D14/253
D614,613 S	4/2010	Kim et al.	
D619,586 S	7/2010	Richter	
D620,038 S	7/2010	Rix	
D629,405 S	12/2010	Crysell	
D641,773 S	7/2011	Rix	
D644,681 S	9/2011	Rix	
D663,306 S	7/2012	Barbieri	
D663,972 S	7/2012	Alexander et al.	

(Continued)

**FOREIGN PATENT DOCUMENTS**

GB	4031459	8/2013
GB	4042068	7/2015

*Primary Examiner* — Angela J Lee

(74) *Attorney, Agent, or Firm* — Thompson Coburn LLP

(57) **CLAIM**

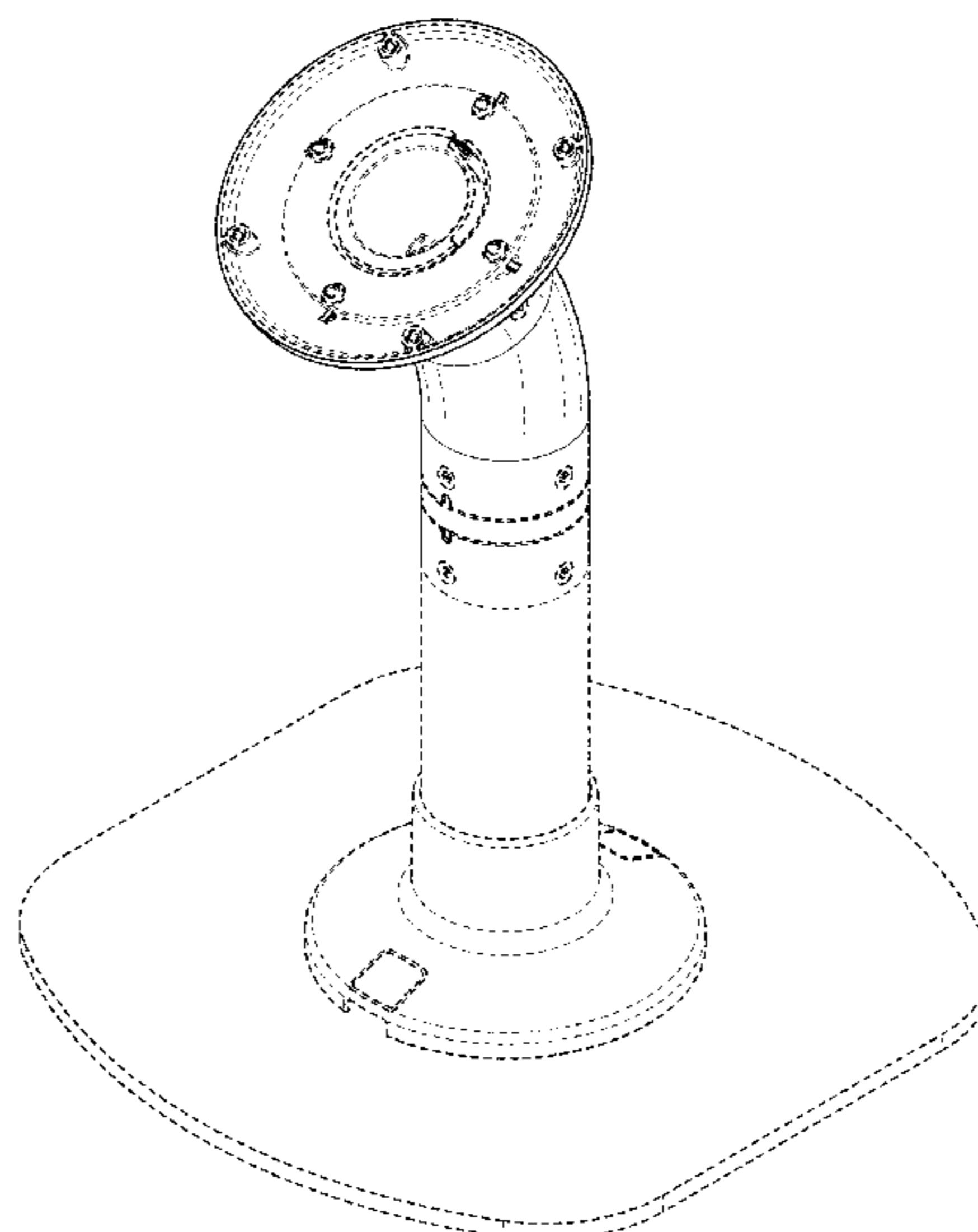
The ornamental design for a stand for handheld electronic device, as shown and described.

**DESCRIPTION**

FIG. 1 is a perspective view of a stand for handheld electronic device showing my new design; FIG. 2 is a front view thereof; FIG. 3 is a rear view thereof; FIG. 4 is a left side view thereof; FIG. 5 is a right side view thereof; FIG. 6 is a top view thereof; and, FIG. 7 is a bottom view thereof.

The broken lines immediately adjacent the shaded areas represent the bounds of the claimed design while all other broken lines are directed to environment and are for illustrative purposes only; the broken lines form no part of the claimed design.

**1 Claim, 7 Drawing Sheets**



(56)

**References Cited**

## U.S. PATENT DOCUMENTS

D671,545	S	11/2012	Guran	
D678,297	S	3/2013	Willkomm	
D686,216	S	7/2013	Hachadorian et al.	
D687,441	S	8/2013	Janzen	
D690,306	S *	9/2013	Malisse .....	D14/447
D691,150	S	10/2013	Stener	
D691,839	S	10/2013	Dallenbach	
D693,352	S	11/2013	Gelsomini et al.	
D696,674	S	12/2013	Vogel	
D704,156	S	5/2014	Lee et al.	
D704,713	S *	5/2014	Liniger .....	D14/447
D709,066	S *	7/2014	Byun .....	D14/253
D709,074	S *	7/2014	Tsui .....	D14/447
D724,072	S	3/2015	Jiang et al.	
D724,598	S	3/2015	Gelsomini et al.	
D727,333	S *	4/2015	Shih .....	D14/447
D729,222	S	5/2015	Grziwok et al.	
D733,156	S *	6/2015	Choi .....	D14/447
D733,157	S	6/2015	Kim et al.	
D733,526	S	7/2015	Delrue et al.	
D744,621	S	12/2015	Shavatt et al.	
D748,098	S	1/2016	Khodapanah et al.	
D749,080	S	2/2016	Su et al.	
D756,152	S	5/2016	Schwalbach et al.	
D771,614	S *	11/2016	Chang .....	D14/253
D772,739	S *	11/2016	Browning .....	D10/74
D774,037	S	12/2016	Kang et al.	
D792,413	S *	7/2017	Floersch .....	D14/447
D792,414	S	7/2017	Floersch et al.	
2014/0059828	A1 *	3/2014	Reynolds .....	F16M 11/041 29/428

\* cited by examiner

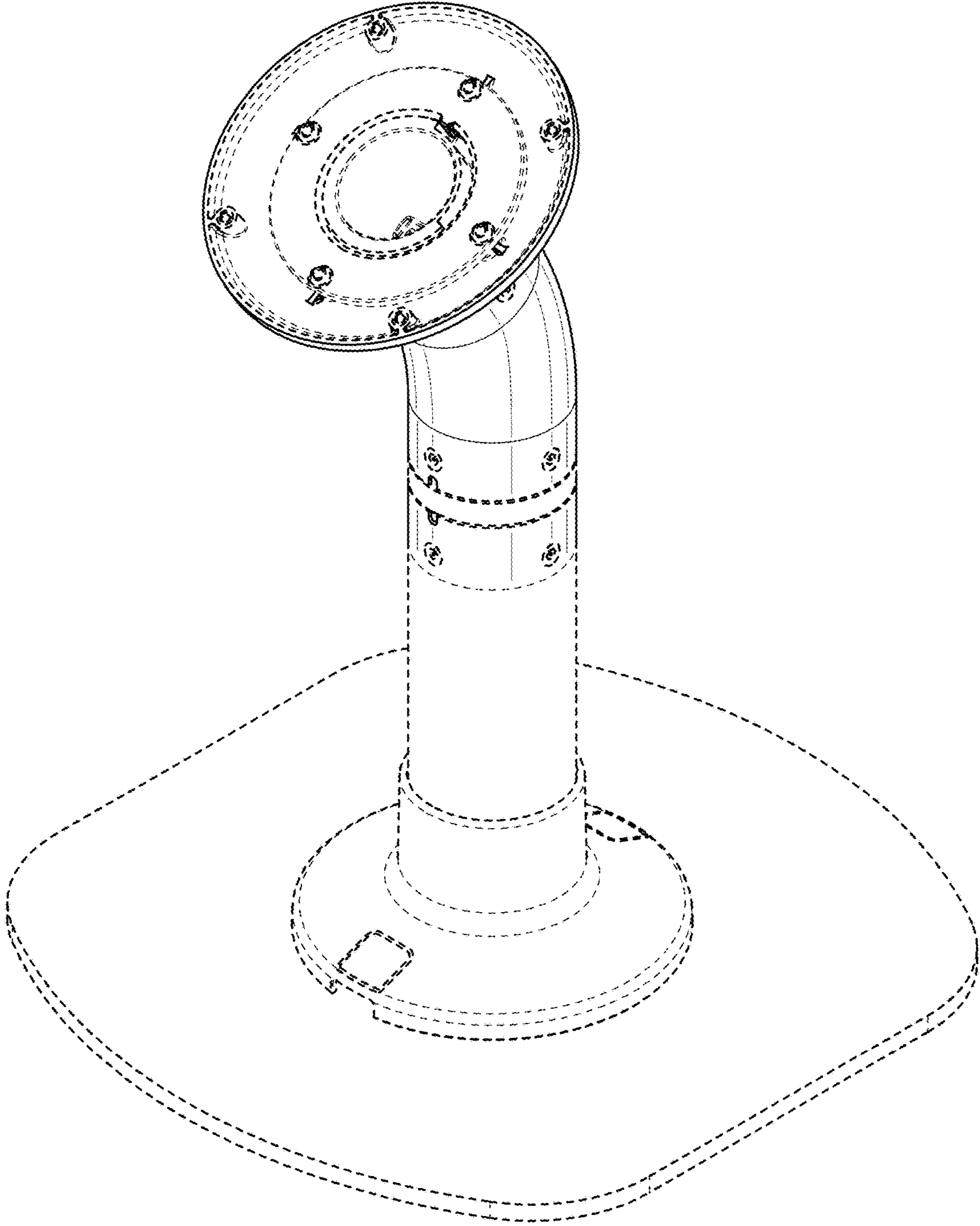


FIG. 1

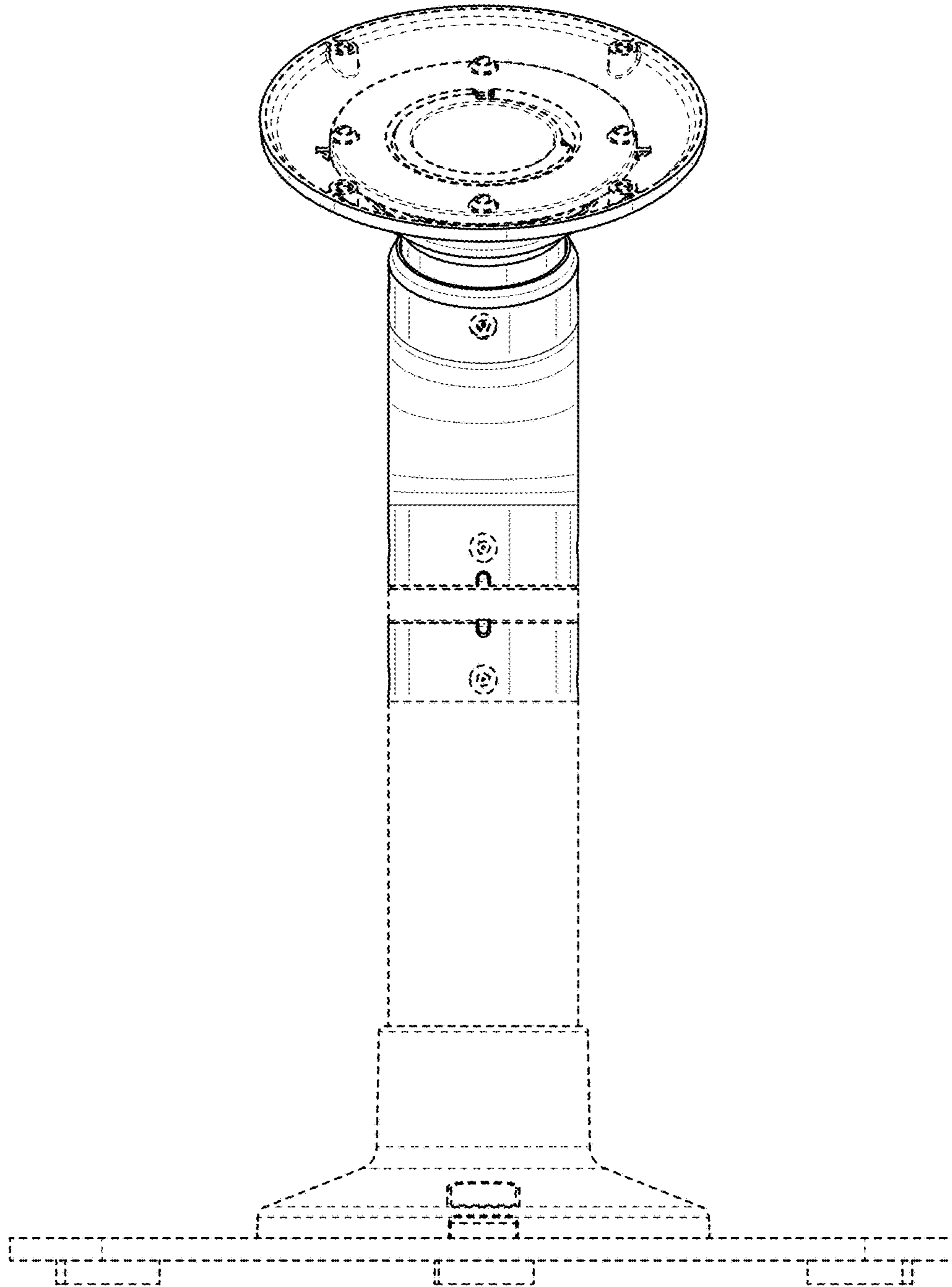


FIG. 2

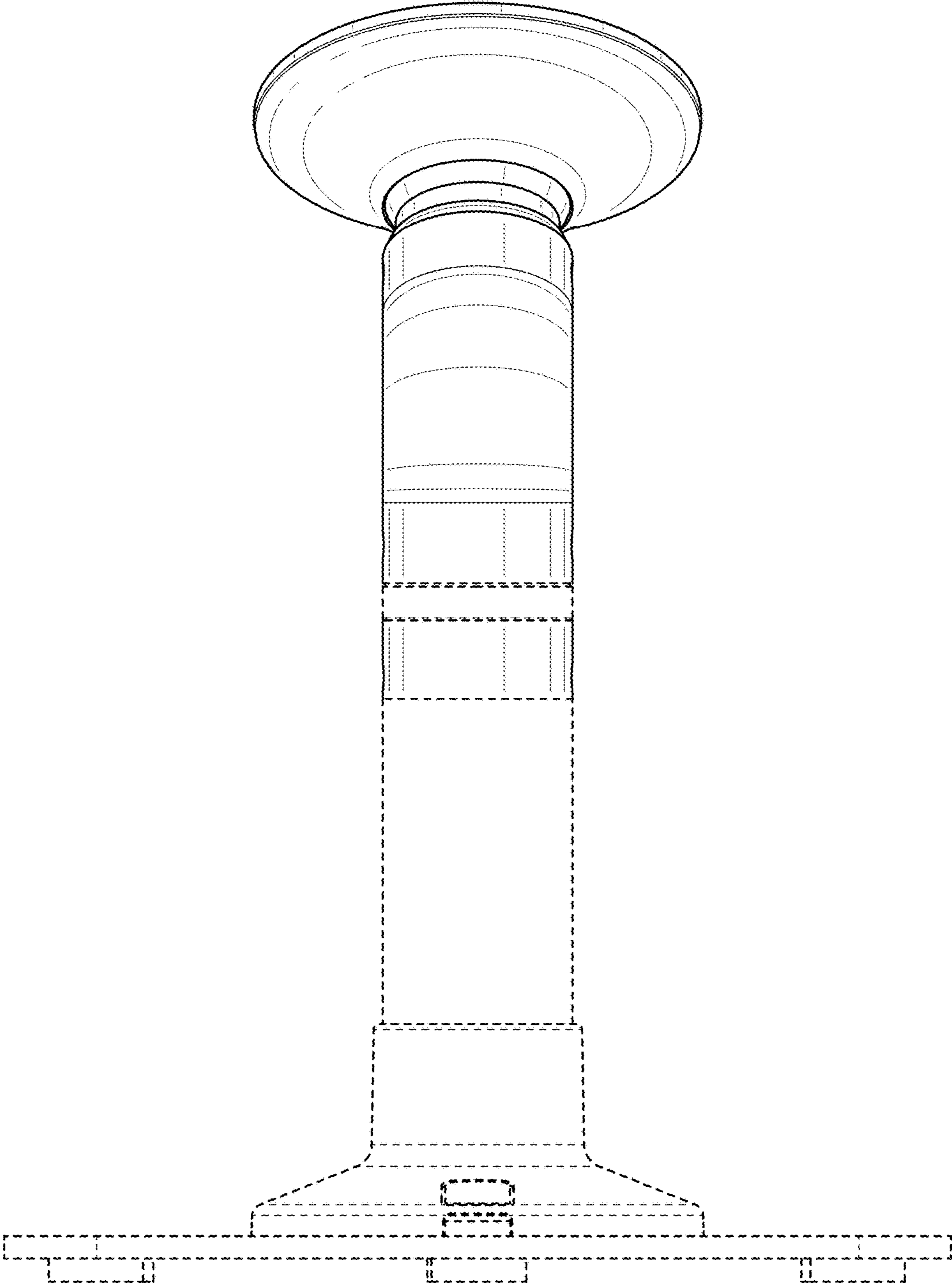


FIG. 3

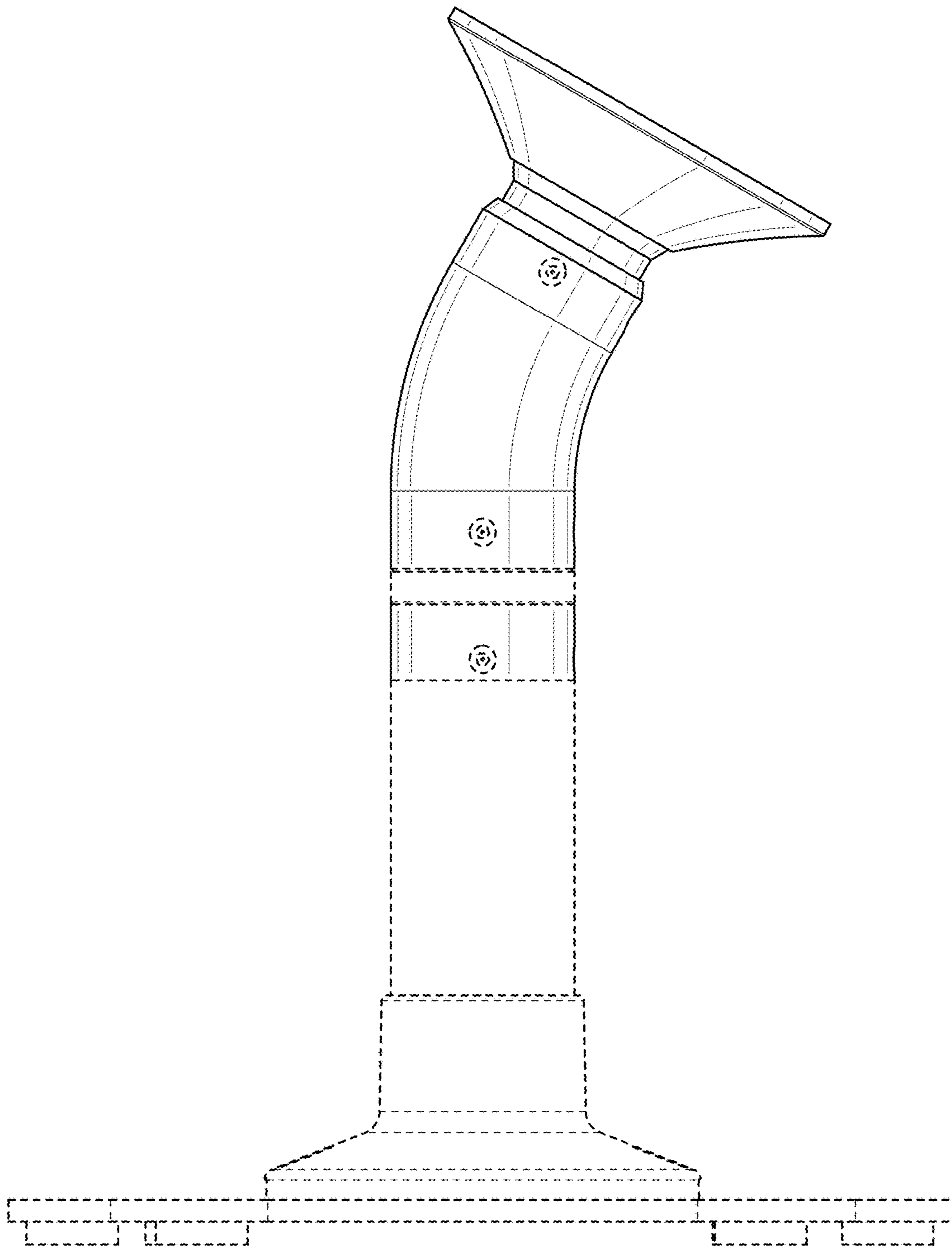


FIG. 4

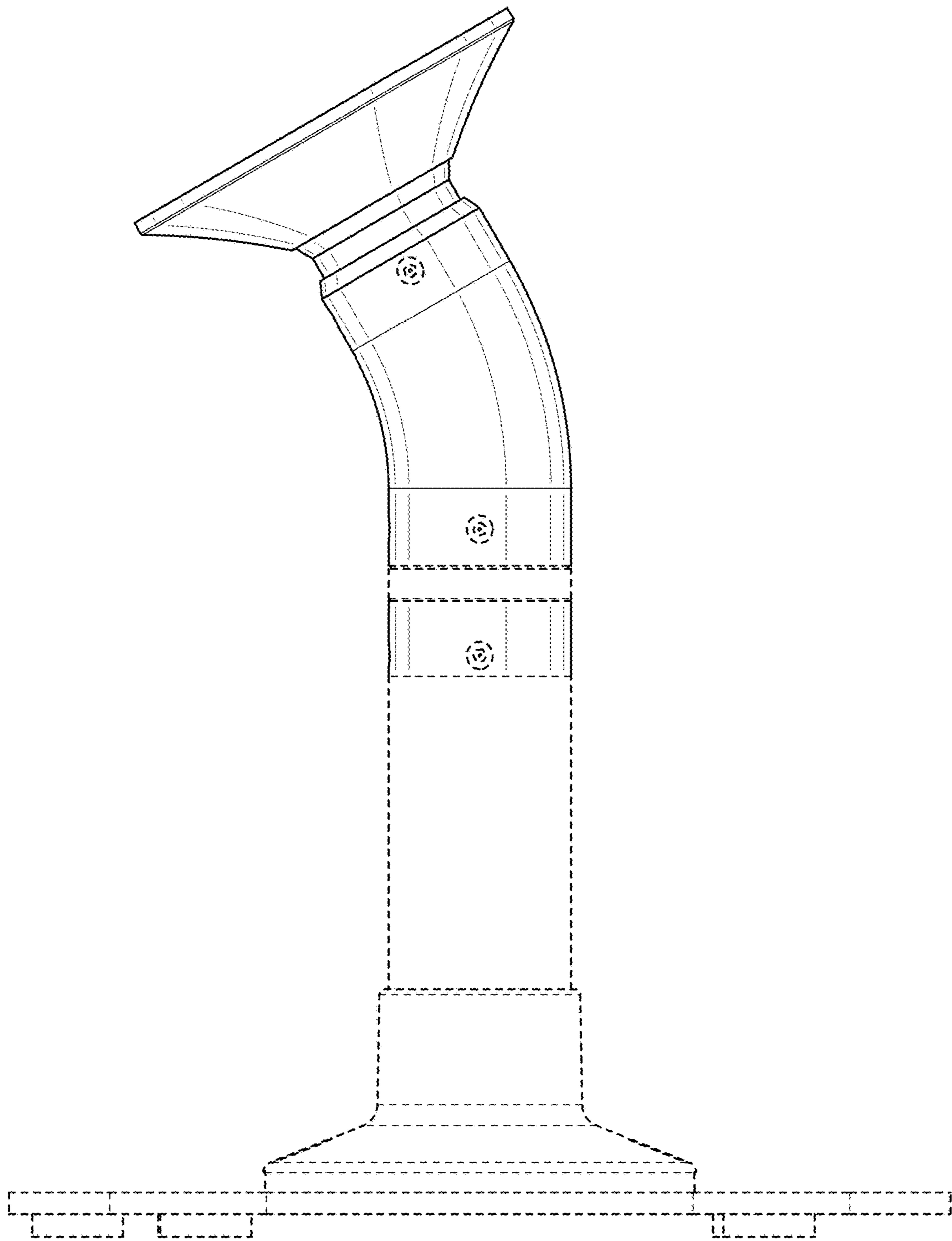


FIG. 5

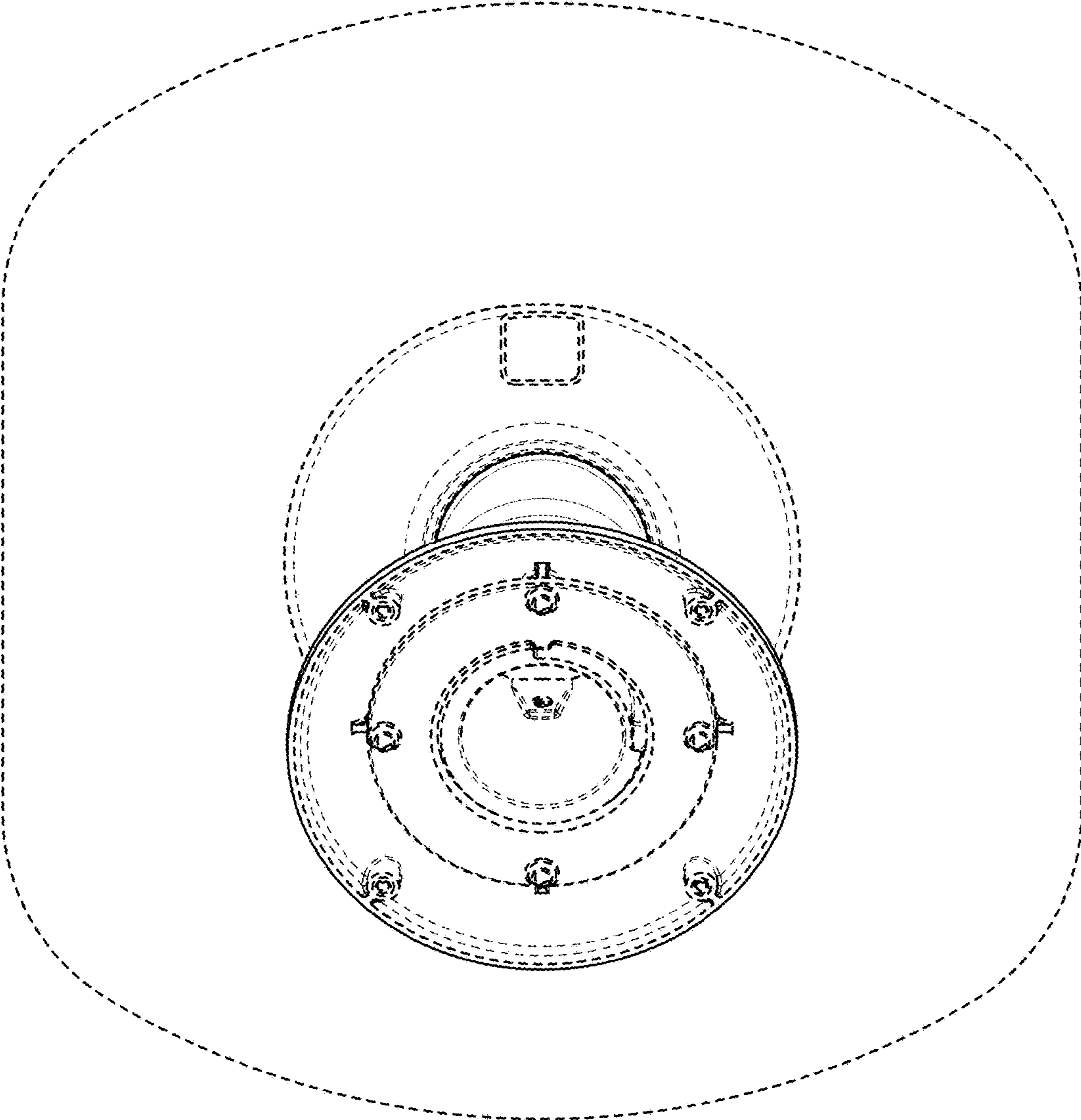


FIG. 6



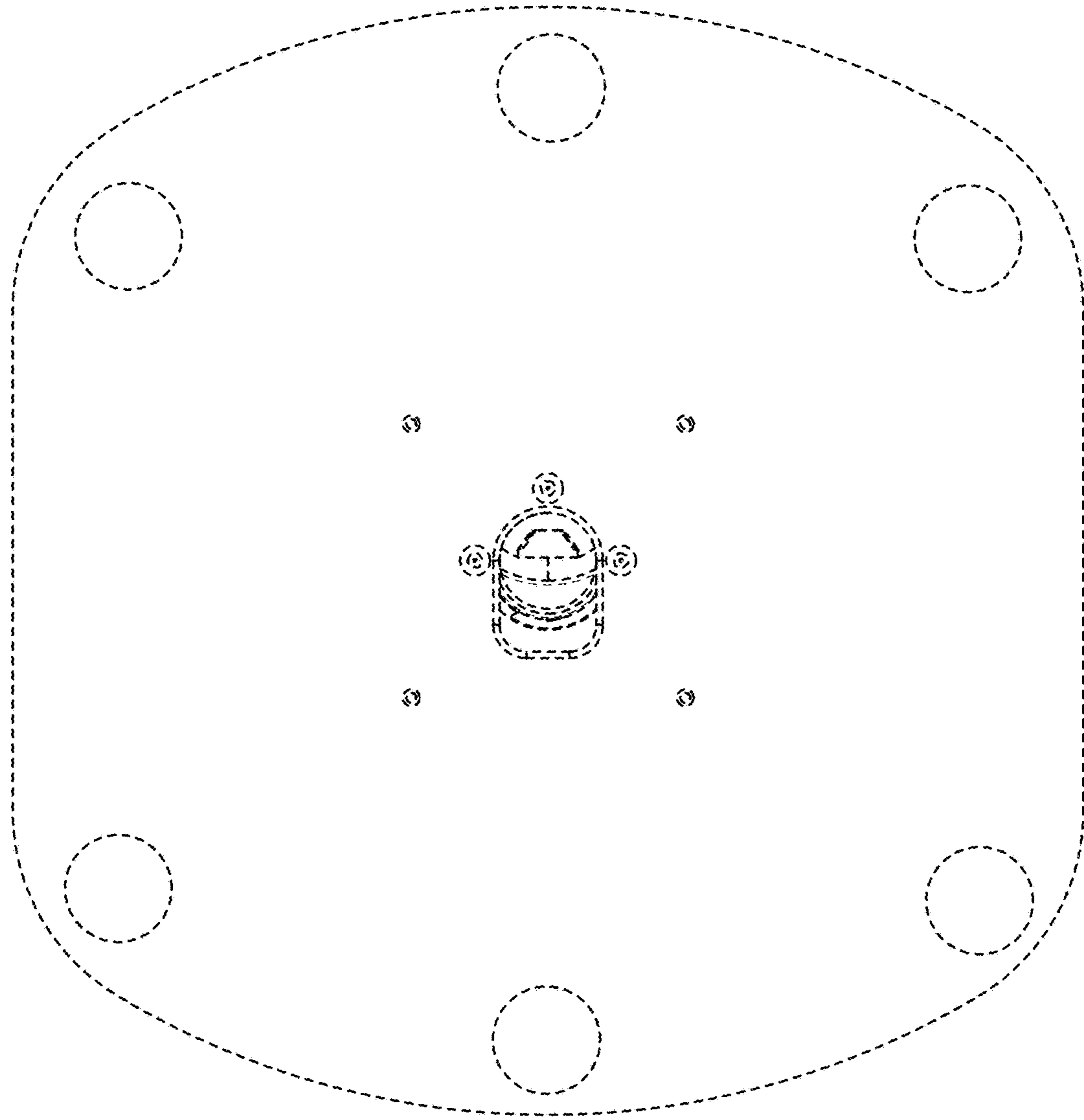


FIG. 7