



US00D806713S

(12) **United States Design Patent**  
**Wright et al.**

(10) **Patent No.:** **US D806,713 S**  
(45) **Date of Patent:** **\*\* Jan. 2, 2018**

(54) **TABLET CASE**  
(71) Applicant: **CATALYST LIFESTYLE LIMITED,**  
North Point (HK)  
(72) Inventors: **Joshua Wright,** Hong Kong (CN);  
**June Lai,** Hong Kong (CN)  
(73) Assignee: **CATALYST LIFESTYLE LIMITED,**  
North Point, Hong Kong (CN)

8,395,465 B2 3/2013 Lauder et al.  
D680,120 S 4/2013 Cho et al.  
8,544,639 B2 10/2013 Yang et al.  
8,576,031 B2 11/2013 Lauder et al.  
D696,234 S \* 12/2013 Wright ..... D14/250  
8,624,695 B2 1/2014 Cretella, Jr. et al.  
8,714,510 B2 5/2014 McCosh et al.  
8,780,535 B2 7/2014 Mongan et al.  
8,899,415 B2 12/2014 McCosh et al.  
8,960,421 B1 2/2015 Diebel

(Continued)

(\*\*) Term: **15 Years**

*Primary Examiner* — Cynthia Underwood  
(74) *Attorney, Agent, or Firm* — Dinsmore & Shohl LLP

(21) Appl. No.: **29/609,966**

(57) **CLAIM**

(22) Filed: **Jul. 7, 2017**

The ornamental design for a tablet case, as shown and described.

(51) **LOC (11) Cl.** ..... **14-02**

(52) **U.S. Cl.**  
USPC ..... **D14/440**

**DESCRIPTION**

(58) **Field of Classification Search**  
USPC .... D14/440, 250, 447, 433, 434; 206/45.23,  
206/320, 45.2; 361/679.55; 294/25;  
224/218  
CPC ... G06F 1/1628; G06F 1/1626; A47B 23/044;  
H04B 1/3888  
See application file for complete search history.

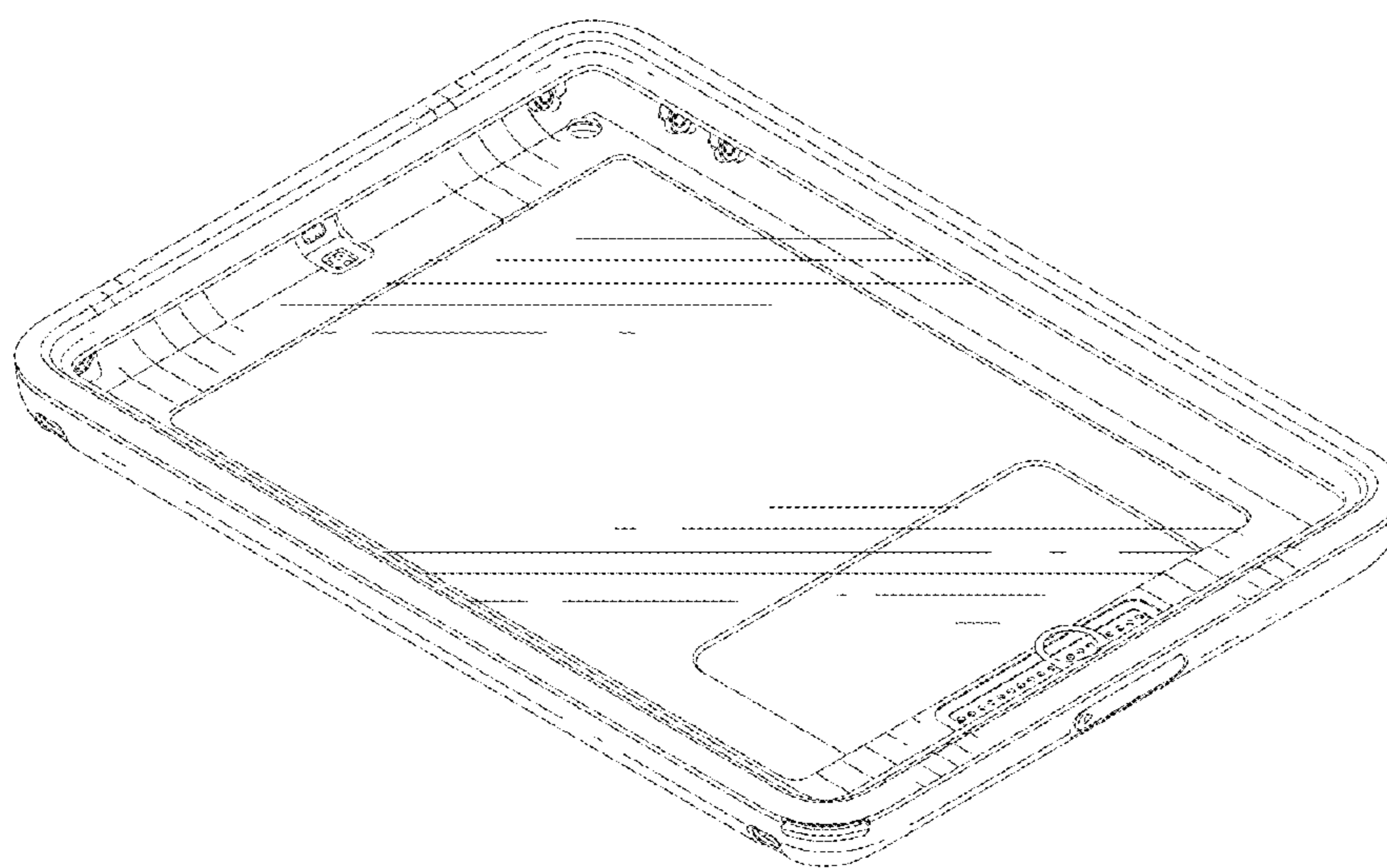
FIG. 1 is a perspective view including a rear, bottom and one side of the tablet case;  
FIG. 2 is a perspective view including a rear, top and an opposite side of the tablet case;  
FIG. 3 is a perspective view including a front, bottom and a side of the tablet case;  
FIG. 4 is a perspective view including a front, top and an opposite side of the tablet case;  
FIG. 5 is a planar view of the rear of the tablet case of FIG. 1;  
FIG. 6 is a planar view of the front of the tablet case of FIG. 1;  
FIG. 7 is a planar view of the side of the tablet case of FIG. 1;  
FIG. 8 is a planar view of the opposite side of the tablet case of FIG. 1;  
FIG. 9 is a planar view of the top of the tablet case of FIG. 1; and,  
FIG. 10 is a planar view of the bottom of the tablet case of FIG. 1.

(56) **References Cited**

U.S. PATENT DOCUMENTS

8,143,982 B1 3/2012 Lauder et al.  
8,143,983 B1 3/2012 Lauder et al.  
8,253,518 B2 8/2012 Lauder et al.  
8,264,310 B2 9/2012 Lauder et al.  
D668,660 S 10/2012 Norfolk  
D668,661 S 10/2012 Norfolk  
8,289,115 B2 10/2012 Cretella, Jr. et al.  
8,328,008 B2 12/2012 Diebel et al.  
8,344,836 B2 1/2013 Lauder et al.  
8,382,059 B2 2/2013 Le Gette et al.  
8,390,411 B2 3/2013 Lauder et al.  
8,390,412 B2 3/2013 Lauder et al.  
8,393,464 B2 3/2013 Yang et al.

**1 Claim, 4 Drawing Sheets**



(56)

References Cited

U.S. PATENT DOCUMENTS

8,960,634 B2 2/2015 Le Gette et al.  
 D725,117 S \* 3/2015 Melanson ..... D14/440  
 9,056,696 B1 6/2015 Reyes  
 D736,777 S \* 8/2015 Rayner ..... D14/440  
 9,225,377 B1 12/2015 Hart  
 9,259,076 B2 2/2016 Gayler  
 9,264,088 B2 2/2016 Wojcik et al.  
 9,267,638 B2 2/2016 Le Gette et al.  
 D753,124 S 4/2016 Corcoran et al.  
 D754,132 S 4/2016 Dahlberg  
 D754,133 S 4/2016 Chen et al.  
 D754,666 S 4/2016 Tiffen et al.  
 9,316,344 B2 4/2016 Le Gette et al.  
 D755,172 S 5/2016 Lee et al.  
 D757,017 S 5/2016 Sirichai  
 D757,018 S 5/2016 Pearce  
 D759,658 S 6/2016 Lai et al.  
 D761,263 S 7/2016 Brinkman et al.  
 D762,218 S 7/2016 Sirichai  
 D762,219 S 7/2016 Armstrong et al.  
 D762,651 S 8/2016 Edwards et al.  
 D763,264 S 8/2016 Smith et al.  
 D763,853 S 8/2016 Pearce  
 D763,854 S 8/2016 Domke et al.  
 D763,855 S 8/2016 Poon et al.  
 D763,856 S 8/2016 Moore  
 D764,472 S 8/2016 Corcoran et al.  
 D764,474 S 8/2016 Penn  
 D764,475 S 8/2016 Penn  
 D765,086 S 8/2016 Lee et al.  
 D766,248 S 9/2016 Holladay et al.  
 D766,249 S 9/2016 Veltz et al.  
 9,444,506 B2 \* 9/2016 Lai ..... H04B 1/3888  
 D769,880 S 10/2016 Moore et al.  
 D770,458 S 11/2016 Corcoran et al.

D772,881 S 11/2016 Chang et al.  
 D773,470 S 12/2016 Akana et al.  
 D775,132 S 12/2016 Smith et al.  
 D775,628 S 1/2017 Brown et al.  
 D776,120 S 1/2017 Brown et al.  
 D776,122 S 1/2017 Akana et al.  
 D776,123 S 1/2017 Akana et al.  
 D777,727 S 1/2017 Maicon et al.  
 9,538,675 B2 1/2017 Le Gette et al.  
 9,568,954 B2 2/2017 Lauder et al.  
 D781,278 S 3/2017 Kim et al.  
 D781,863 S 3/2017 Lai et al.  
 D784,348 S 4/2017 Zhang  
 D784,350 S 4/2017 Li  
 D784,995 S 4/2017 Akana et al.  
 D785,636 S 5/2017 Oberpriller et al.  
 D785,637 S 5/2017 Hennings et al.  
 D786,256 S 5/2017 Stewart  
 D786,257 S 5/2017 Feldman  
 D786,881 S 5/2017 Stewart et al.  
 9,661,906 B2 5/2017 Diebel et al.  
 D788,758 S \* 6/2017 Liu ..... D14/250  
 D789,936 S 6/2017 Nyholm  
 D789,937 S 6/2017 Zhang  
 D790,550 S 6/2017 Chen  
 9,680,518 B2 6/2017 Wojcik et al.  
 D794,036 S \* 8/2017 Hennings ..... D14/250  
 D795,264 S \* 8/2017 Wright ..... D14/439  
 2012/0284124 A1 11/2012 Harangozo et al.  
 2012/0315972 A1 12/2012 Olson et al.  
 2014/0117061 A1 5/2014 Hadi  
 2014/0191034 A1 7/2014 Glanzer et al.  
 2014/0235963 A1 8/2014 Edwards et al.  
 2015/0137734 A1 5/2015 Wojcik et al.  
 2015/0365120 A1 12/2015 Wojcik et al.  
 2016/0084614 A1 3/2016 Ellingson  
 2016/0119013 A1 4/2016 Wojcik et al.

\* cited by examiner

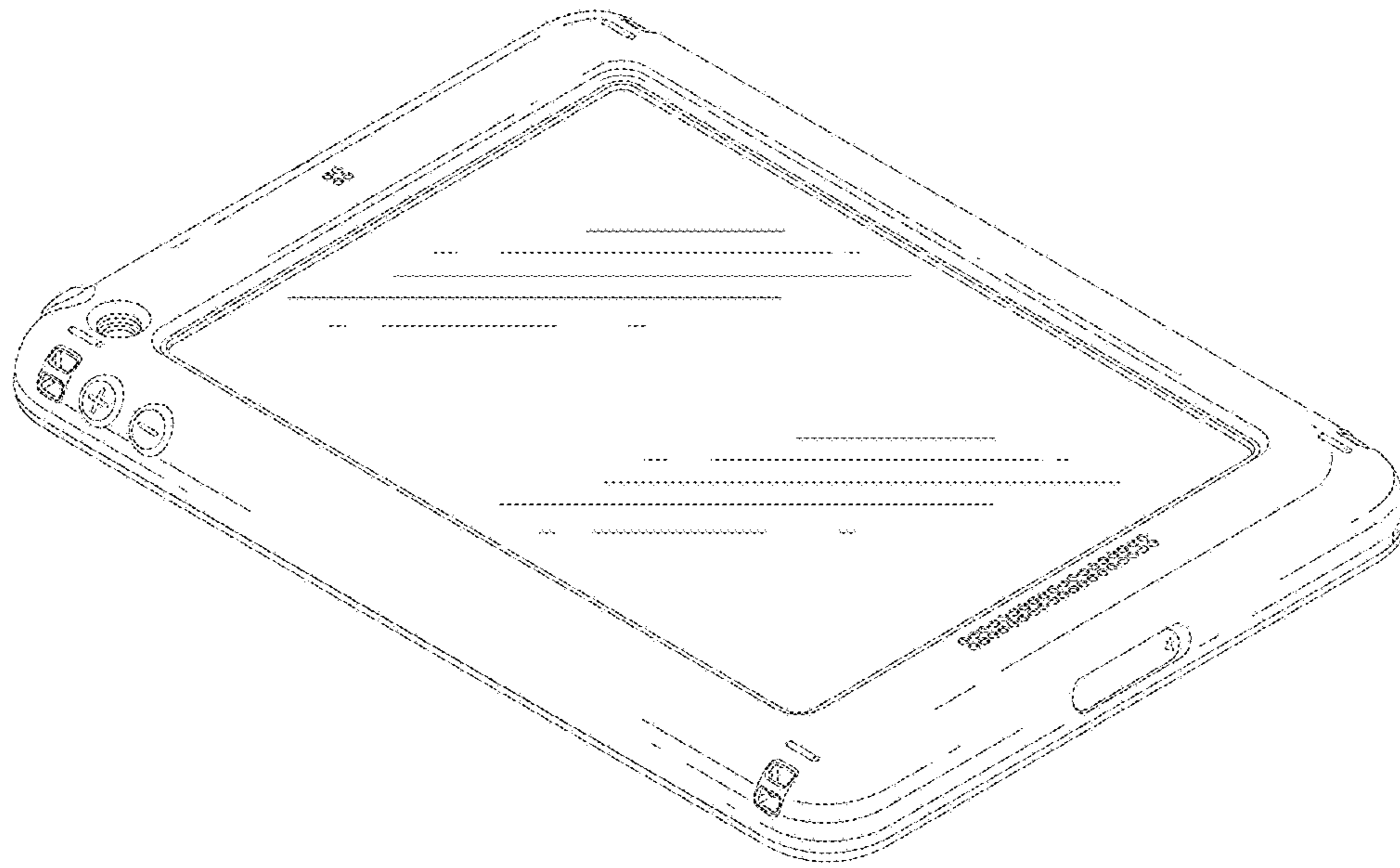


Fig-1

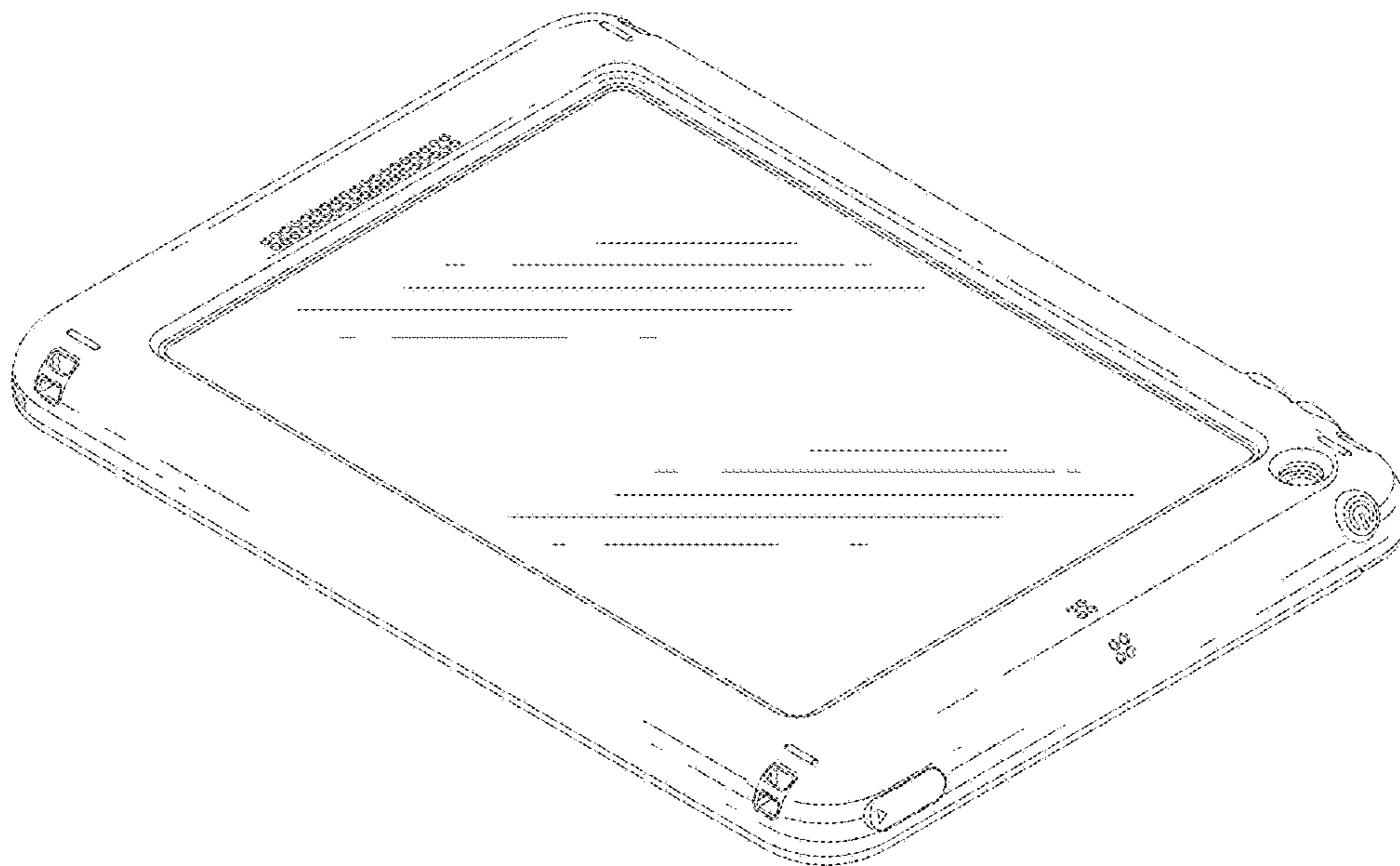


Fig-2



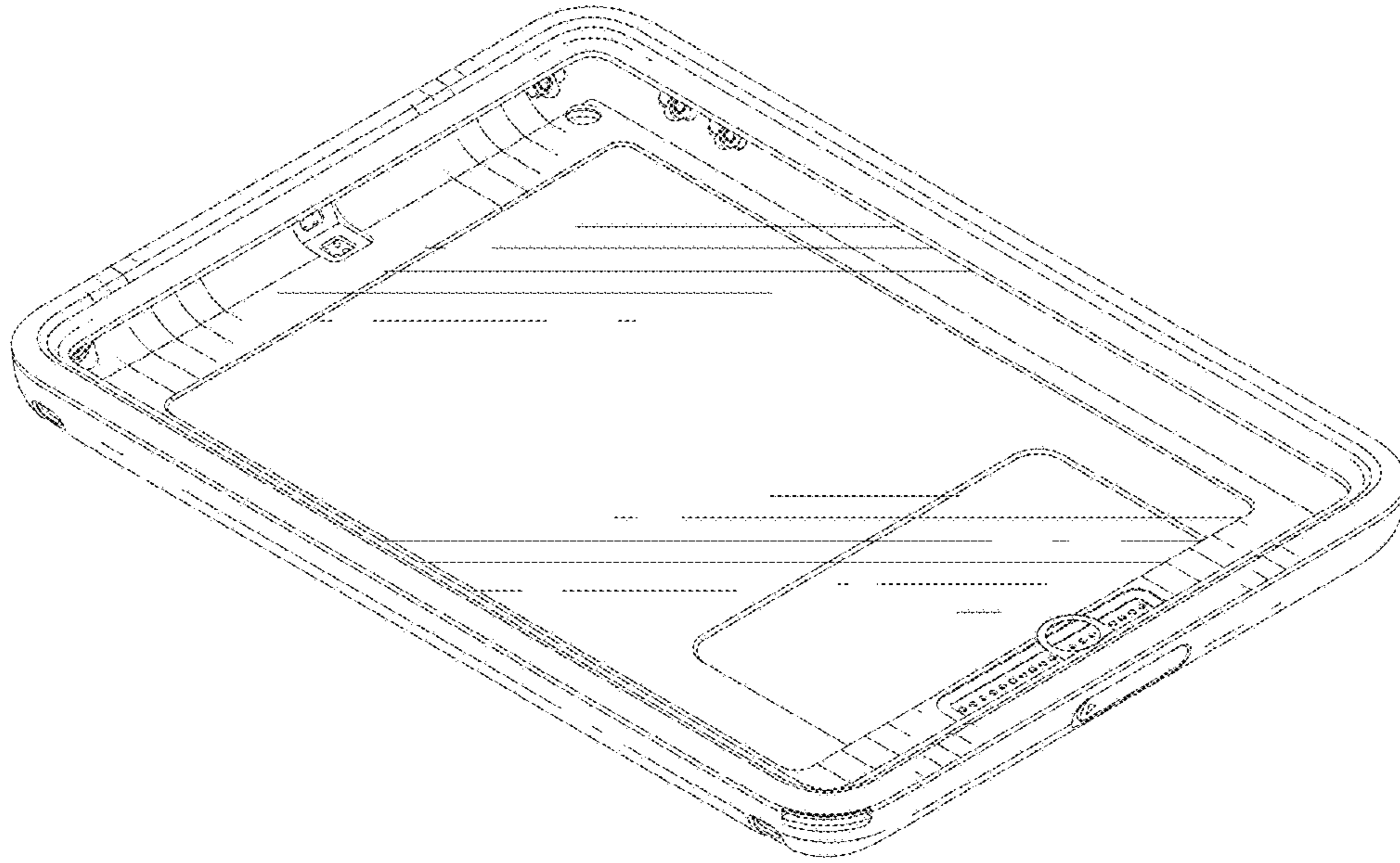


Fig-3

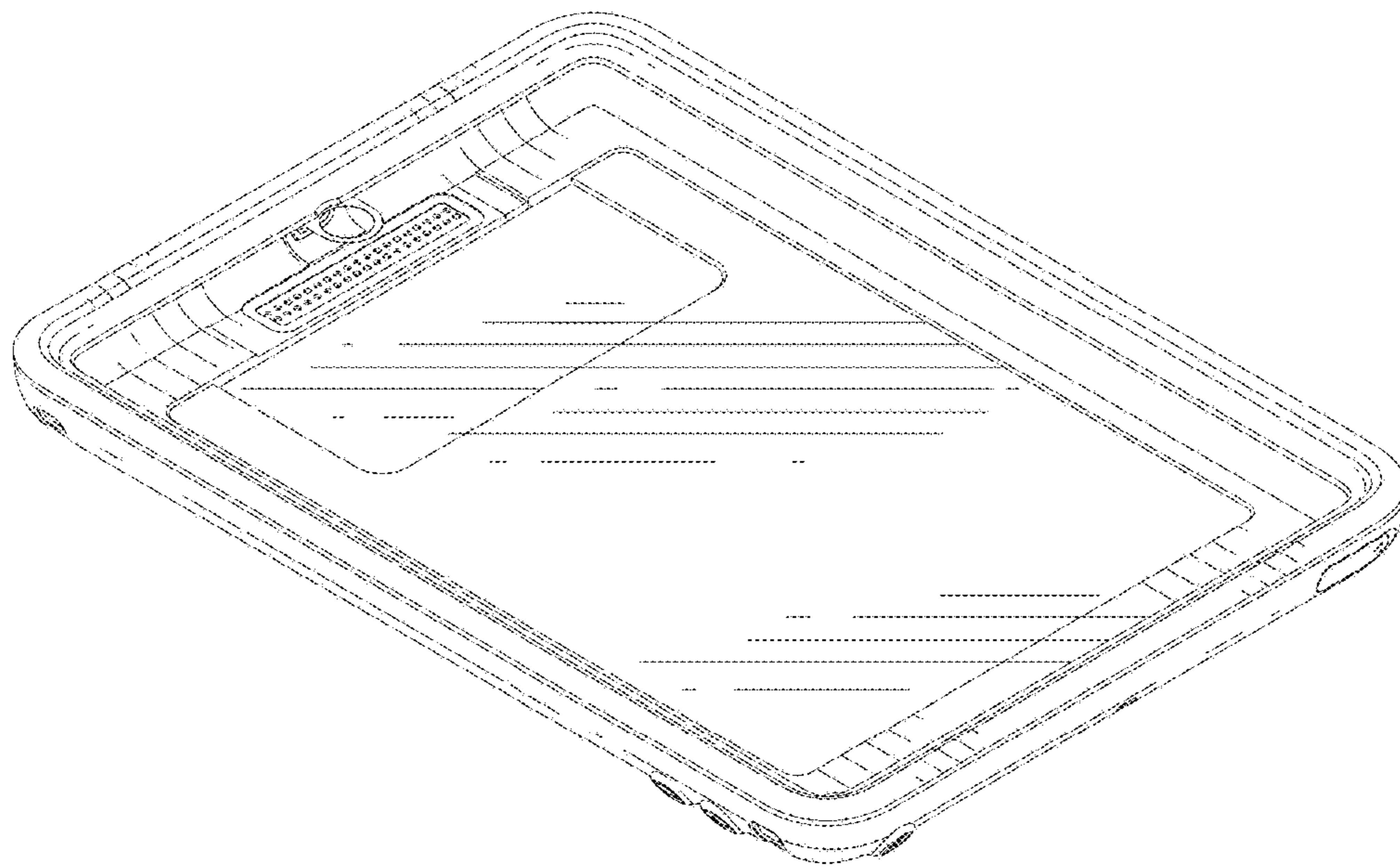


Fig-4

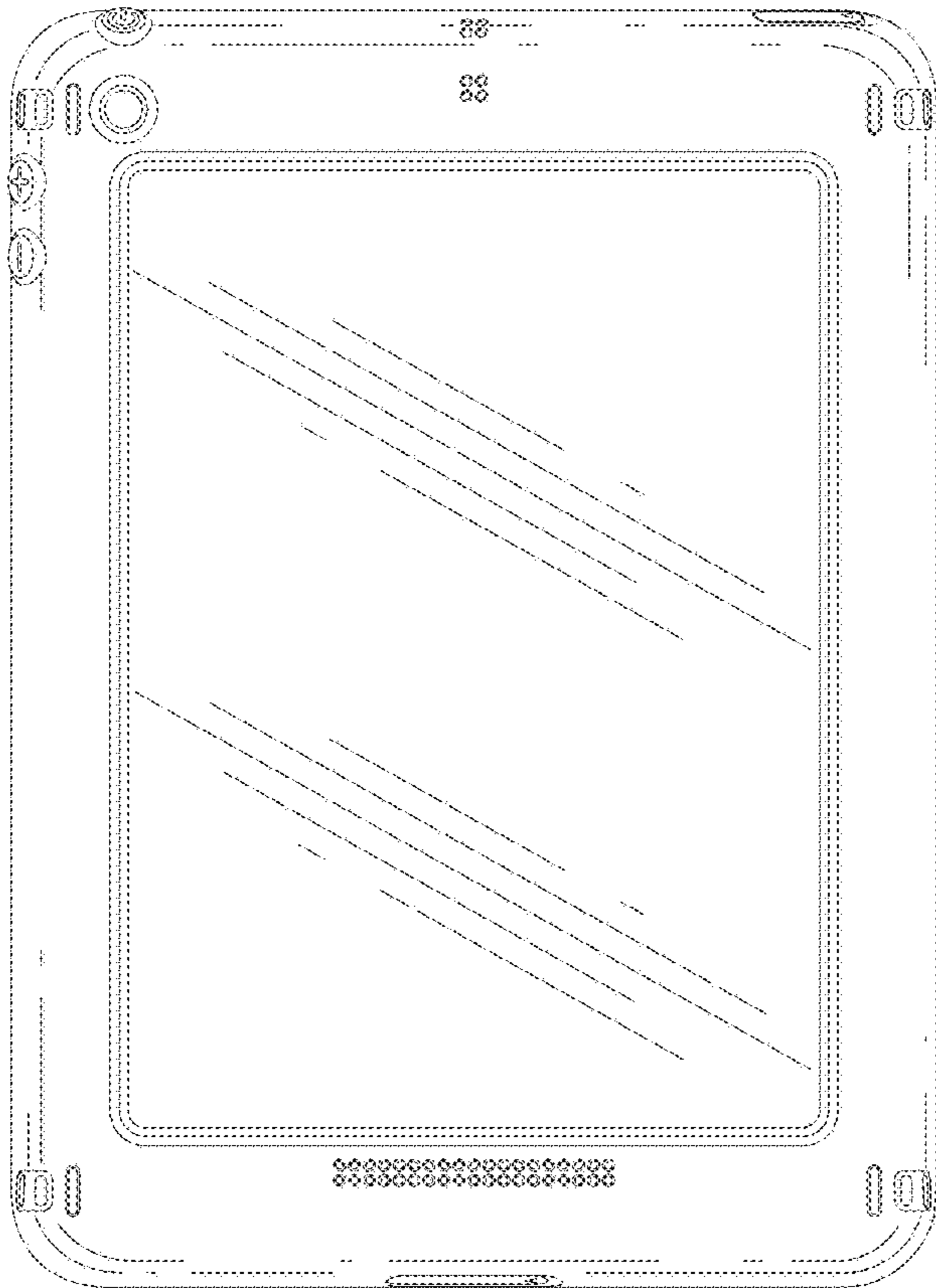


Fig-5

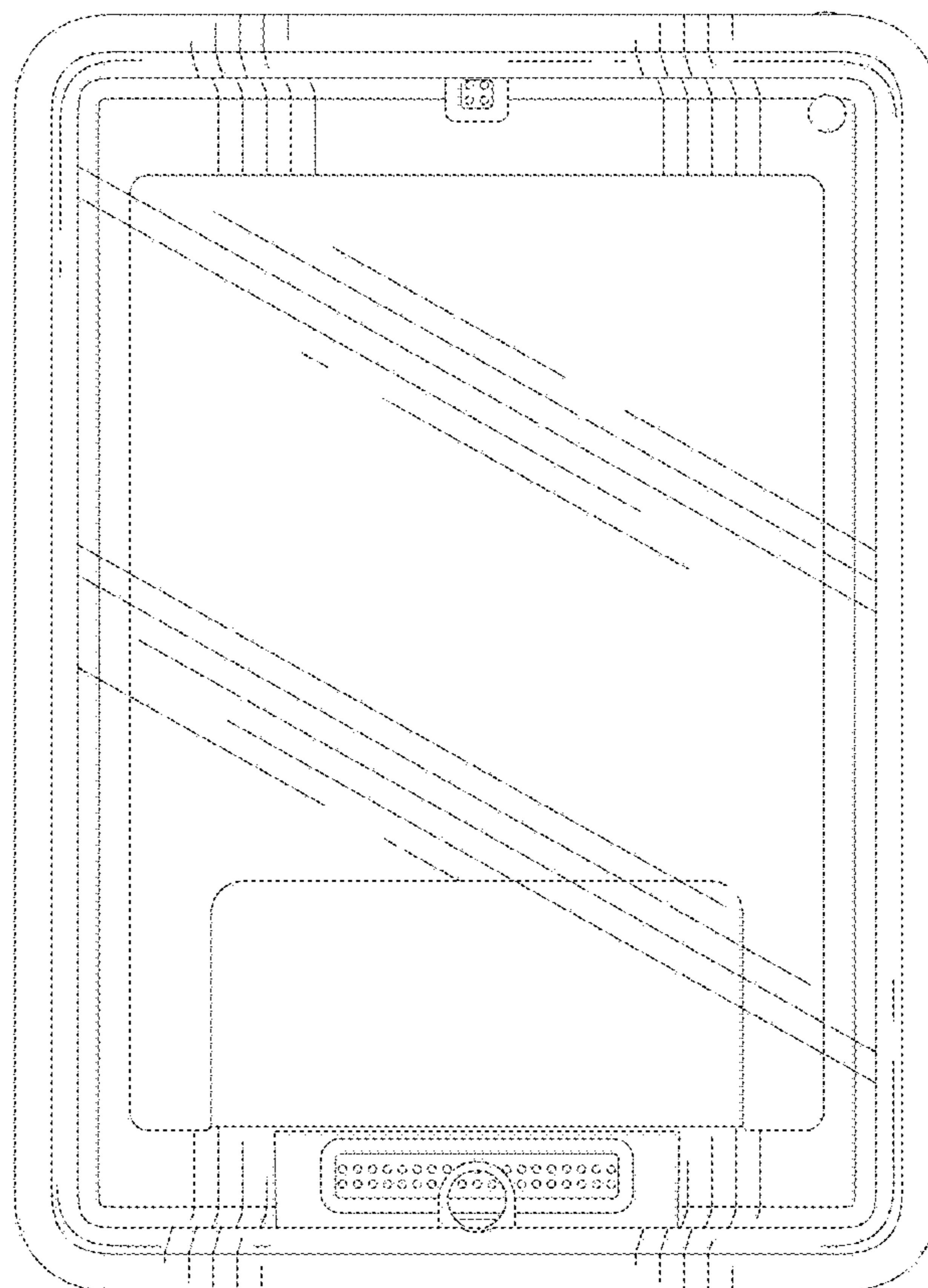


Fig-6

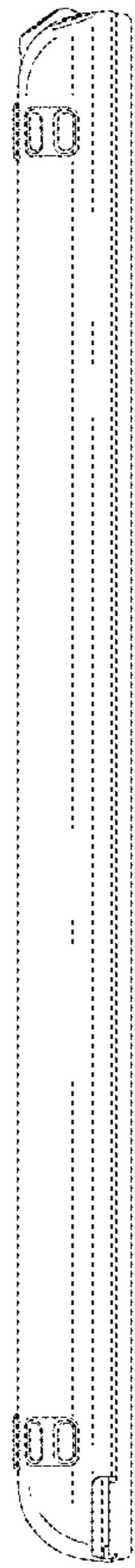


Fig-7

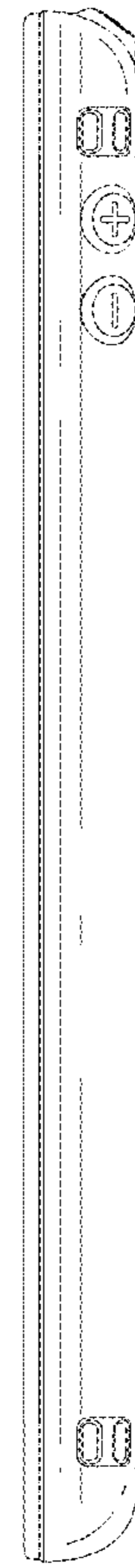


Fig-8

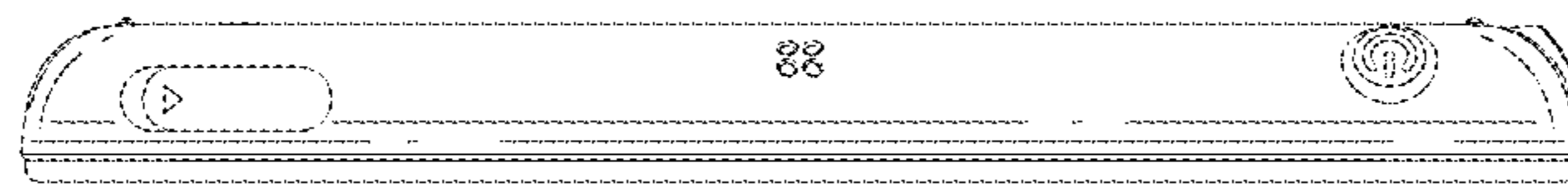


Fig-9

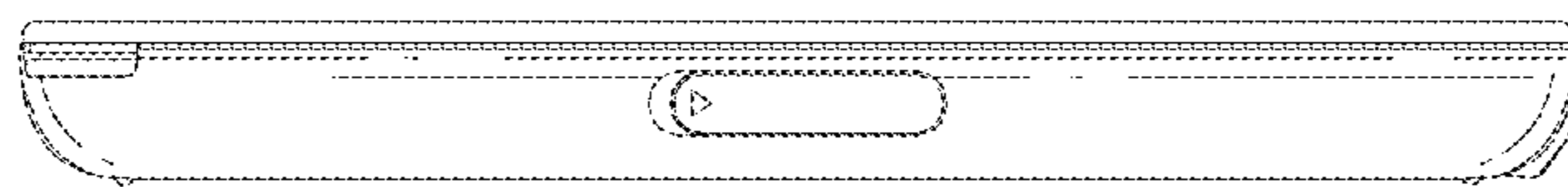


Fig-10