



US00D806712S

(12) **United States Design Patent**
Cebe

(10) **Patent No.:** **US D806,712 S**
(45) **Date of Patent:** **** Jan. 2, 2018**

- (54) **DOCKING STATION**
- (71) Applicant: **Hewlett-Packard Development Company, L.P.**, Houston, TX (US)
- (72) Inventor: **Chrome Manley Cebe**, Houston, TX (US)
- (73) Assignee: **Hewlett-Packard Development Company, L.P.**, Houston, TX (US)
- (**) Term: **15 Years**
- (21) Appl. No.: **29/555,089**
- (22) Filed: **Feb. 18, 2016**
- (51) **LOC (11) Cl.** **14-02**
- (52) **U.S. Cl.**
USPC **D14/434; D13/108**
- (58) **Field of Classification Search**
USPC D13/107–110, 118–119, 184; D14/251, D14/253, 432, 434
CPC Y02E 60/12; Y02T 90/14; Y02T 90/122; Y02T 90/128; Y02T 90/163; H02J 7/025; H02J 7/0042; H02J 7/0044; H02J 7/0045; H02J 7/0003; H01F 38/14; H01R 13/6675; H01M 2/1022; H01M 2/1055; H01M 10/44; H01M 10/46; H01M 10/425; B60L 11/182
See application file for complete search history.

D702,665 S *	4/2014	Kim	D14/217
D722,056 S *	2/2015	Nguyen	D13/108
D730,888 S *	6/2015	Malsan	D14/253
D757,730 S *	5/2016	Fletcher	D14/434
D769,878 S *	10/2016	Fletcher	D14/434
D779,493 S *	2/2017	Eliyahu	D14/217
D795,876 S *	8/2017	Fletcher	D14/434
D797,669 S *	9/2017	Chang	D13/108
2013/0127403 A1 *	5/2013	Chen	H01M 2/1066 320/107

(Continued)

Primary Examiner — Rosemary K Tarcza
(74) *Attorney, Agent, or Firm* — Foley & Lardner

(57) **CLAIM**

I claim the ornamental design for a docking station, as shown and described.

DESCRIPTION

FIG. 1 is front, top, right perspective view of the claimed design according to a first embodiment;
 FIG. 2 is a top plan view thereof;
 FIG. 3 is a bottom plan view thereof;
 FIG. 4 is a rear elevational view thereof;
 FIG. 5 is a front elevational view thereof;
 FIG. 6 is a left side elevational view thereof;
 FIG. 7 is a right side elevational view thereof;
 FIG. 8 is front, top, right perspective view of the claimed design according to a second embodiment;
 FIG. 9 is a top plan view thereof;
 FIG. 10 is a bottom plan view thereof;
 FIG. 11 is a rear elevational view thereof;
 FIG. 12 is a front elevational view thereof;
 FIG. 13 is a left side elevational view thereof; and,
 FIG. 14 is a right side elevational view thereof.

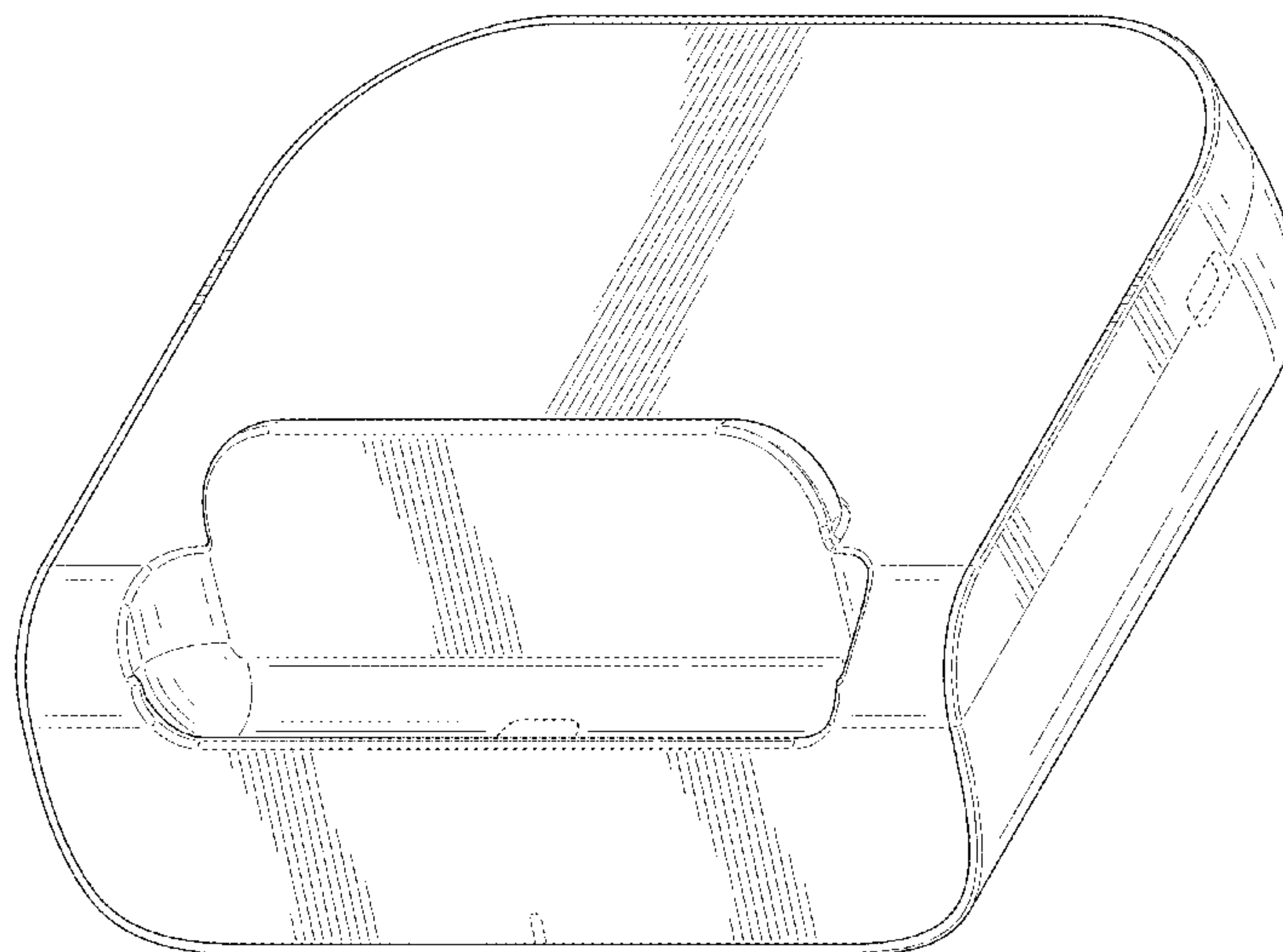
The ornamental design which is claimed is shown in solid lines in the drawings. The broken lines formed by dashes show unclaimed subject matter and form no part of the claimed design.

1 Claim, 10 Drawing Sheets

(56) **References Cited**

U.S. PATENT DOCUMENTS

D458,266 S *	6/2002	Herath	D14/434
D465,532 S *	11/2002	Hussaini	D14/432
D523,847 S *	6/2006	Naruki	D13/108
D535,615 S *	1/2007	Iwai	D13/108
D540,802 S *	4/2007	Hussaini	D14/434
D584,731 S *	1/2009	Montgomery	D14/434
D608,350 S *	1/2010	Bo	D13/108
D642,121 S *	7/2011	Lee	D13/108
D664,958 S *	8/2012	McManigal	D14/434



(56)

References Cited

U.S. PATENT DOCUMENTS

2014/0069710 A1* 3/2014 Webb H05K 7/14
174/549
2014/0097789 A1* 4/2014 Takamoto H02J 7/0044
320/107
2014/0097793 A1* 4/2014 Wurtz H02J 7/0042
320/108

* cited by examiner

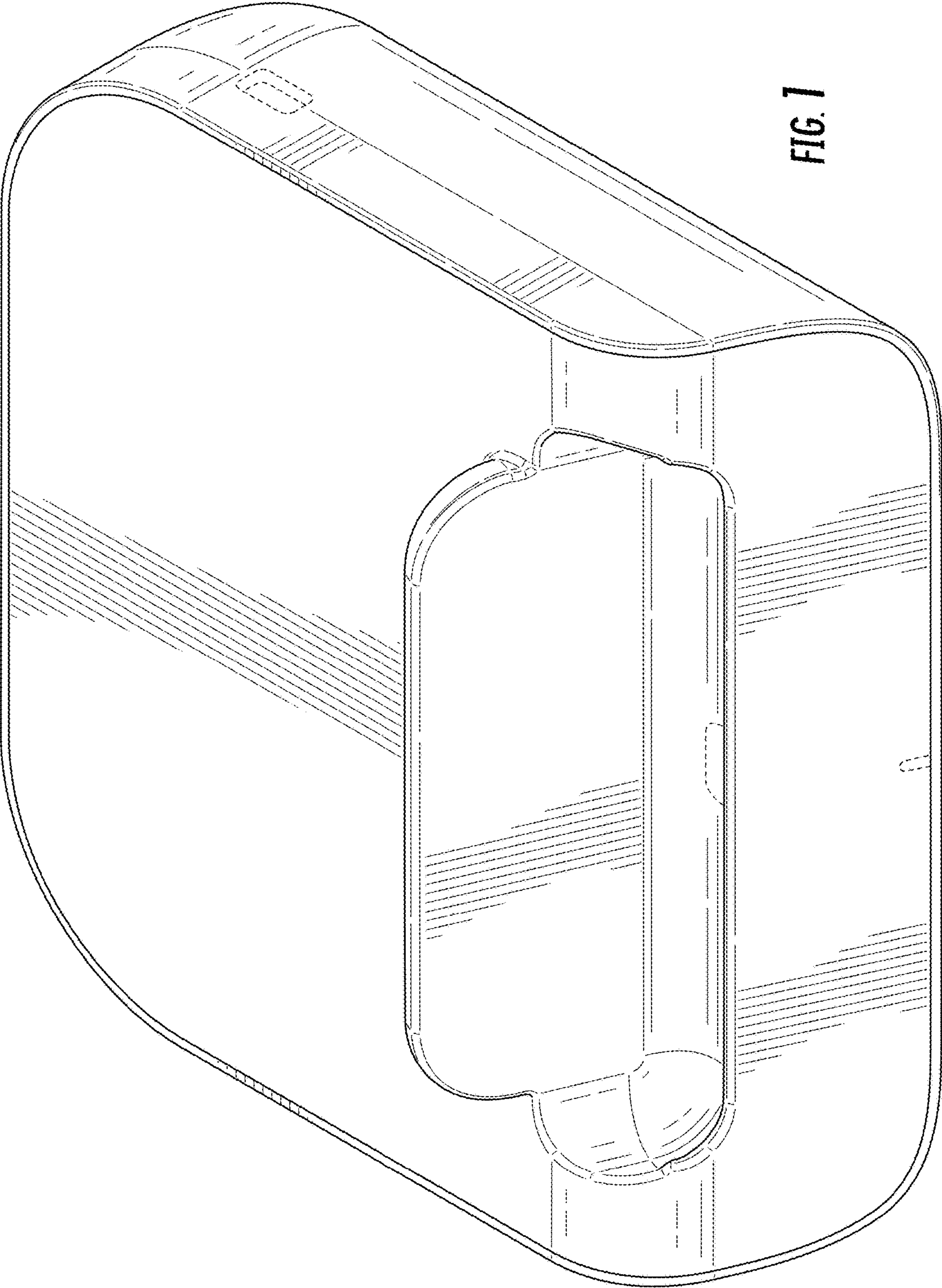


FIG. 1

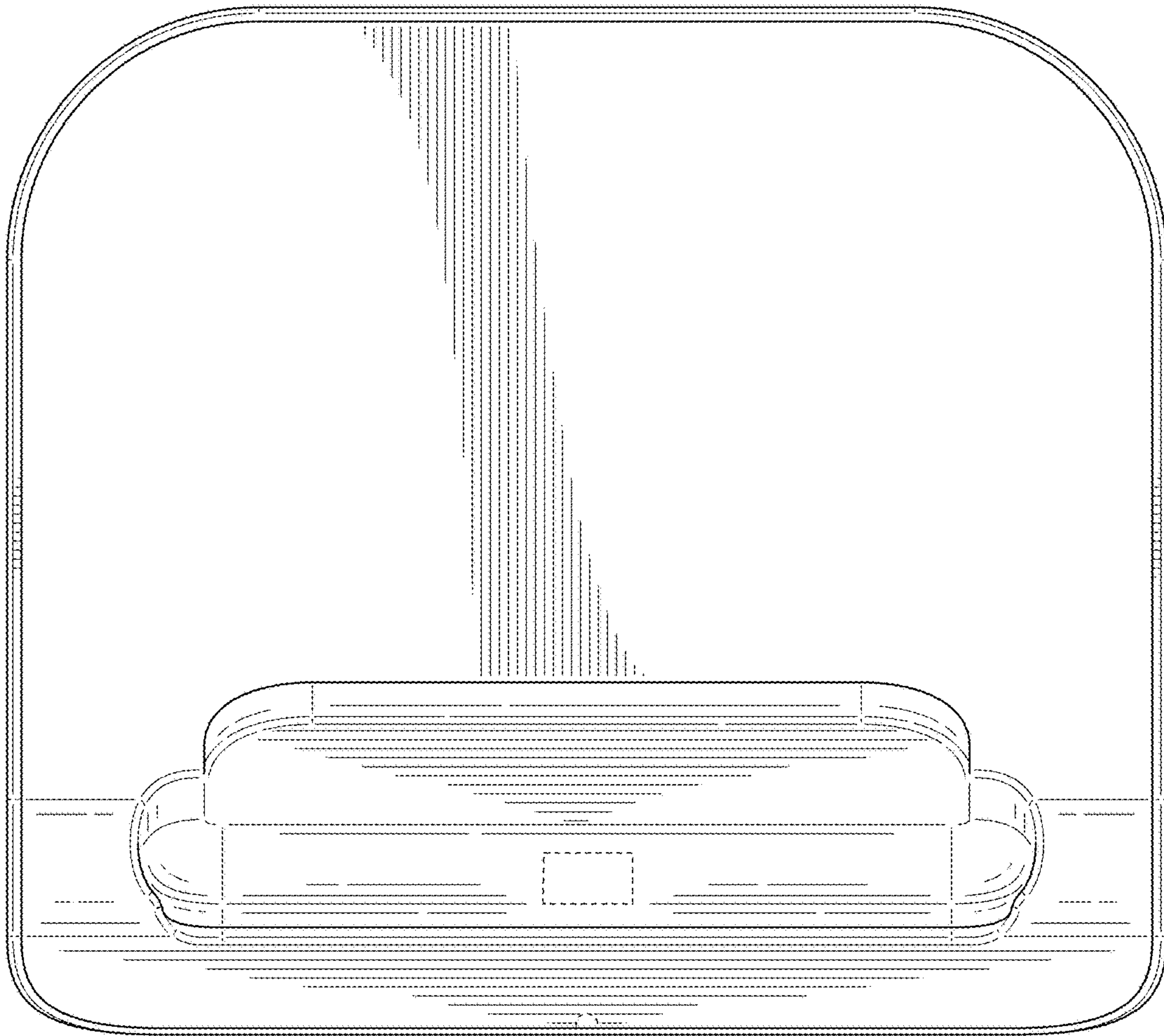


FIG. 2

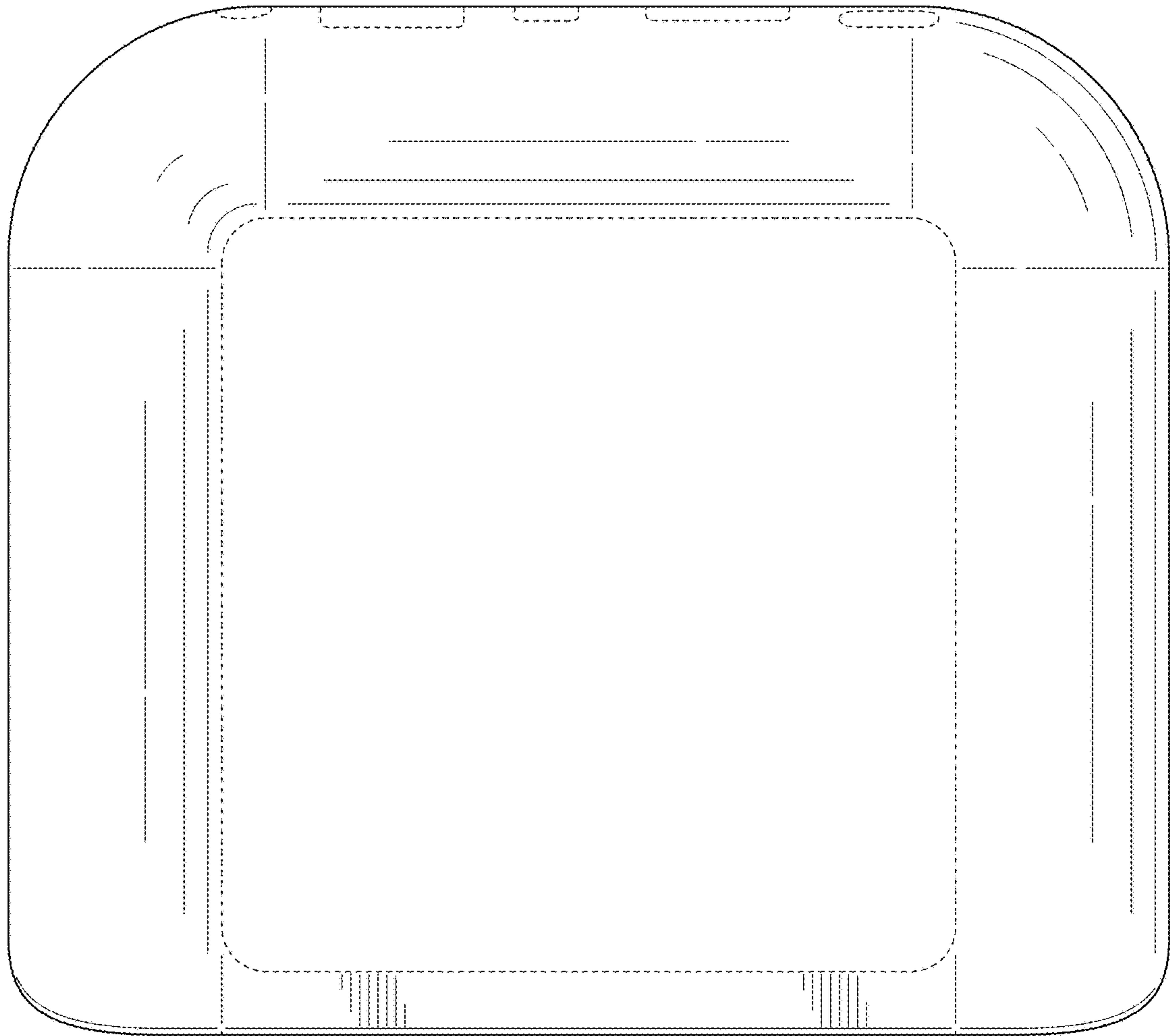


FIG. 3

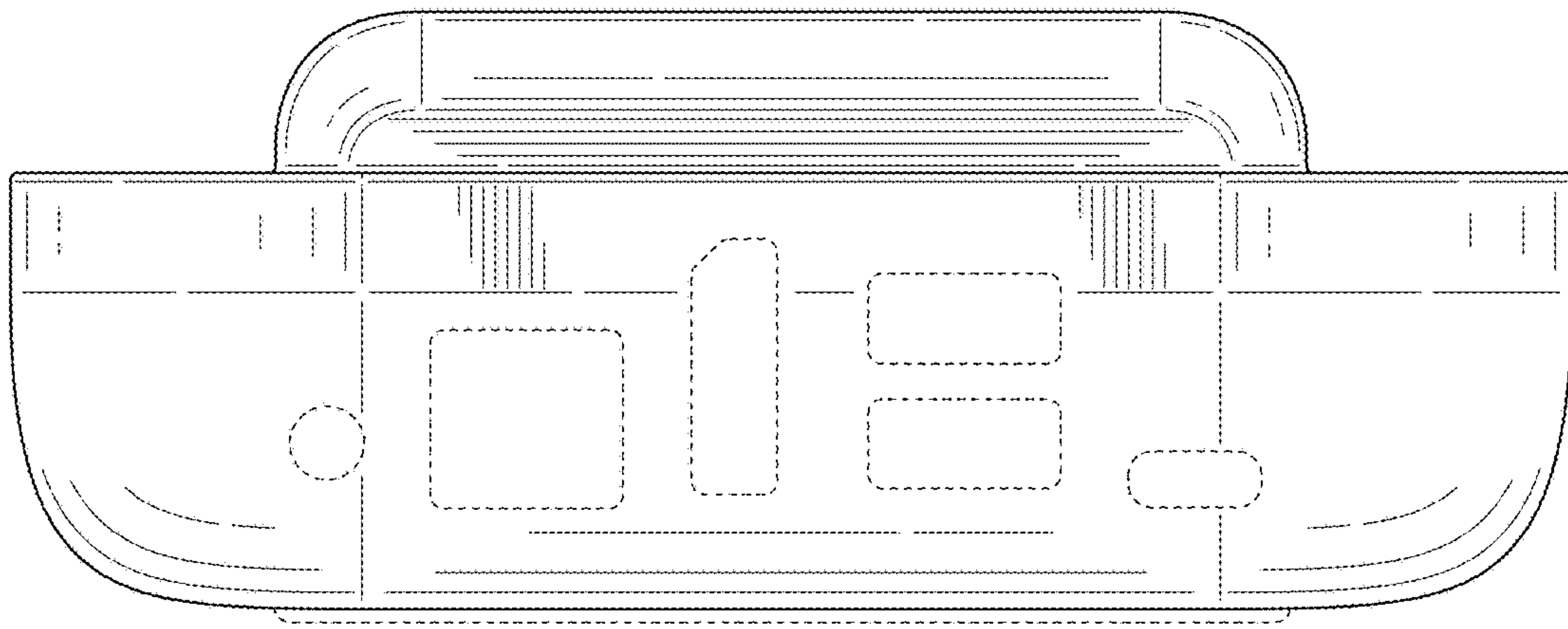


FIG. 4

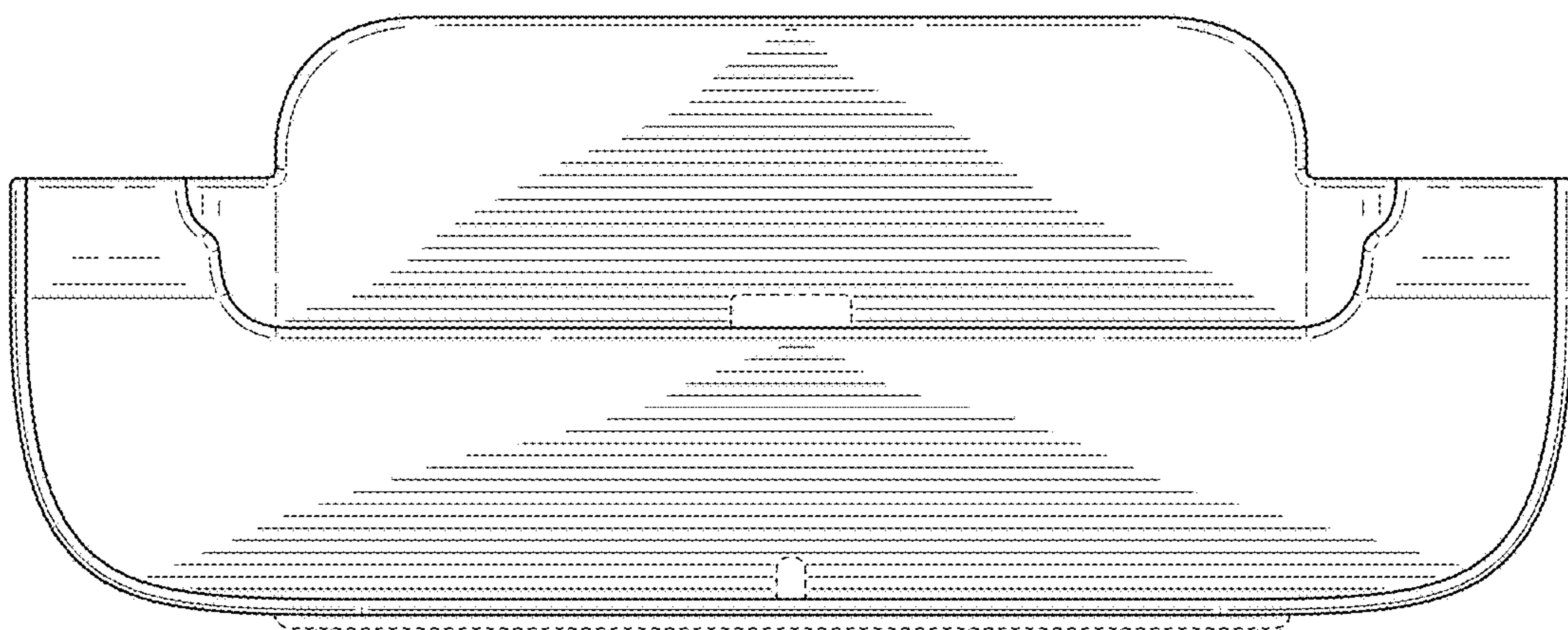


FIG. 5

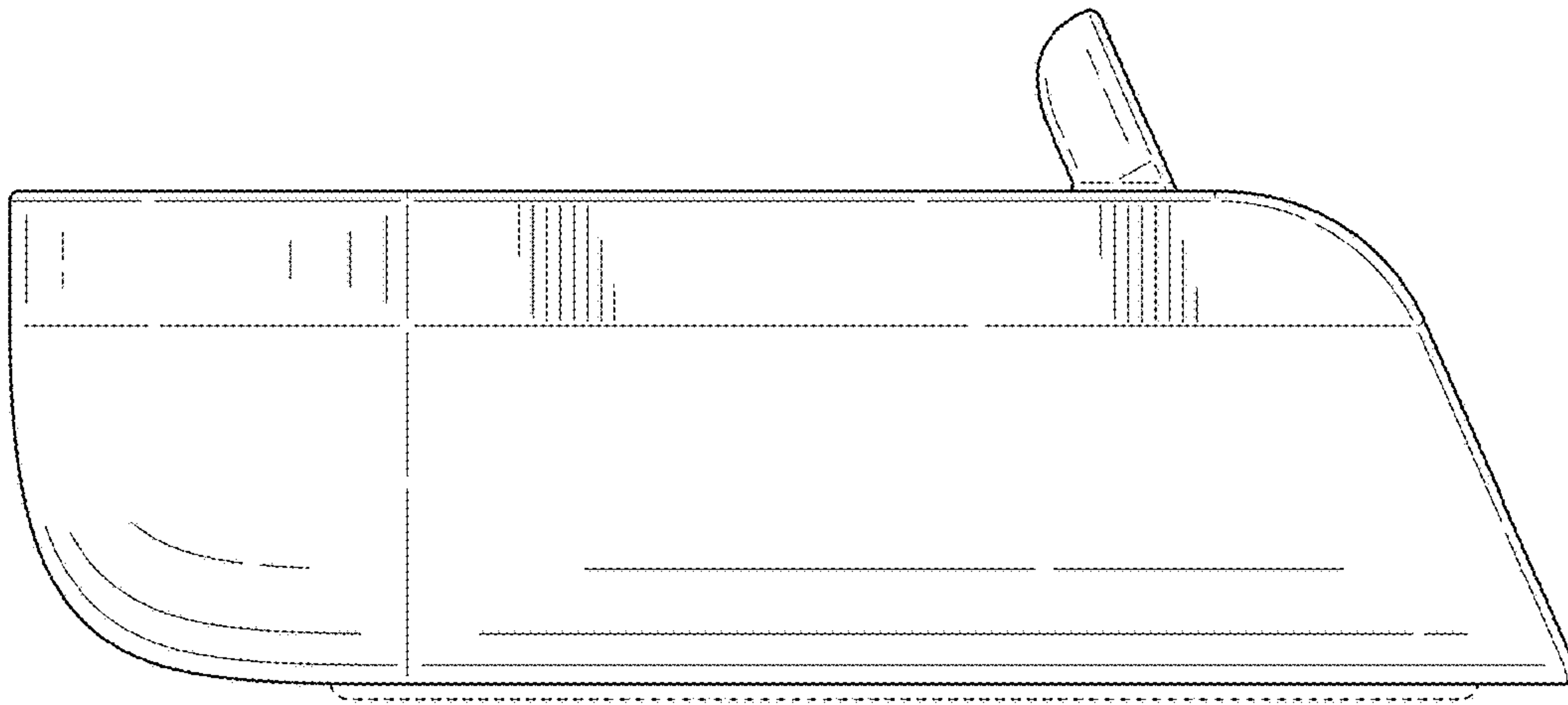


FIG. 6

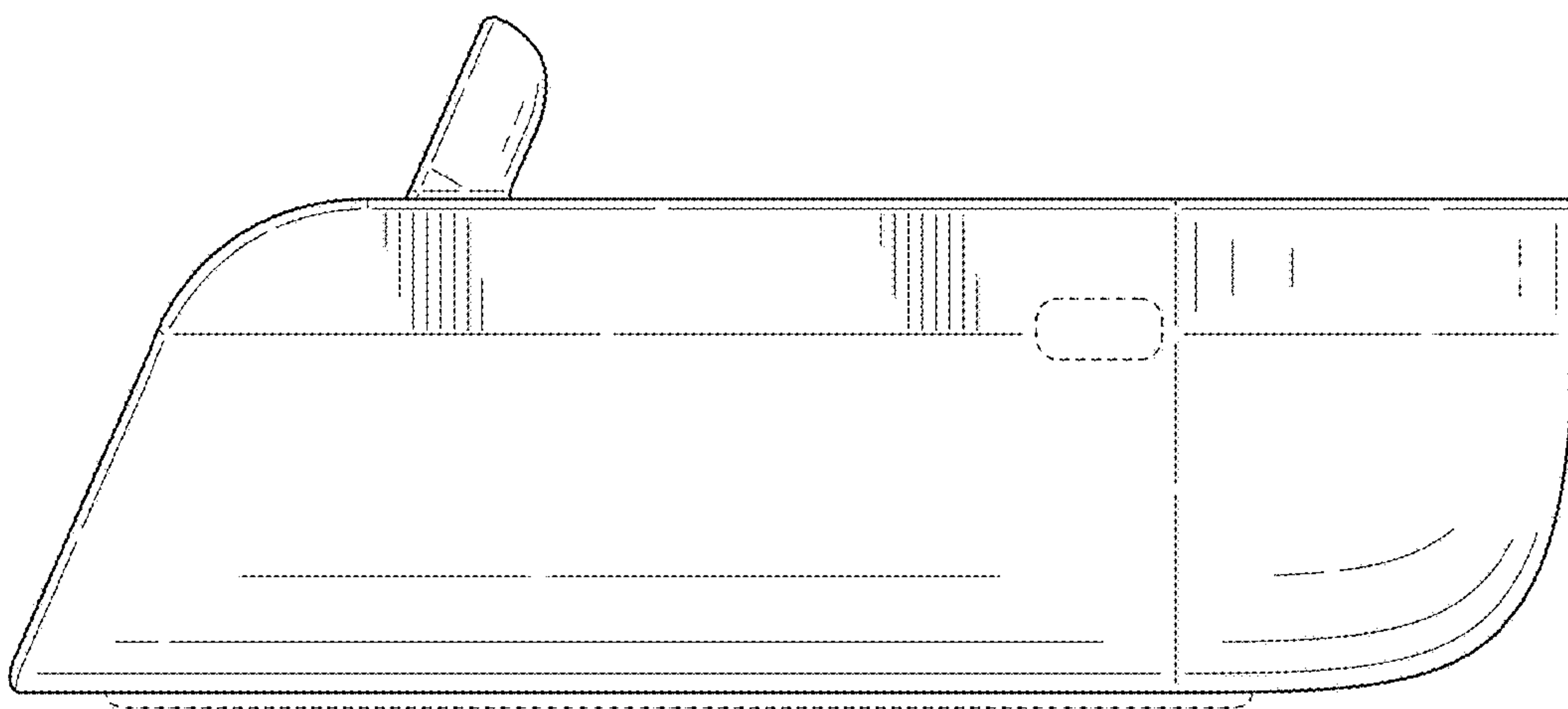


FIG. 7

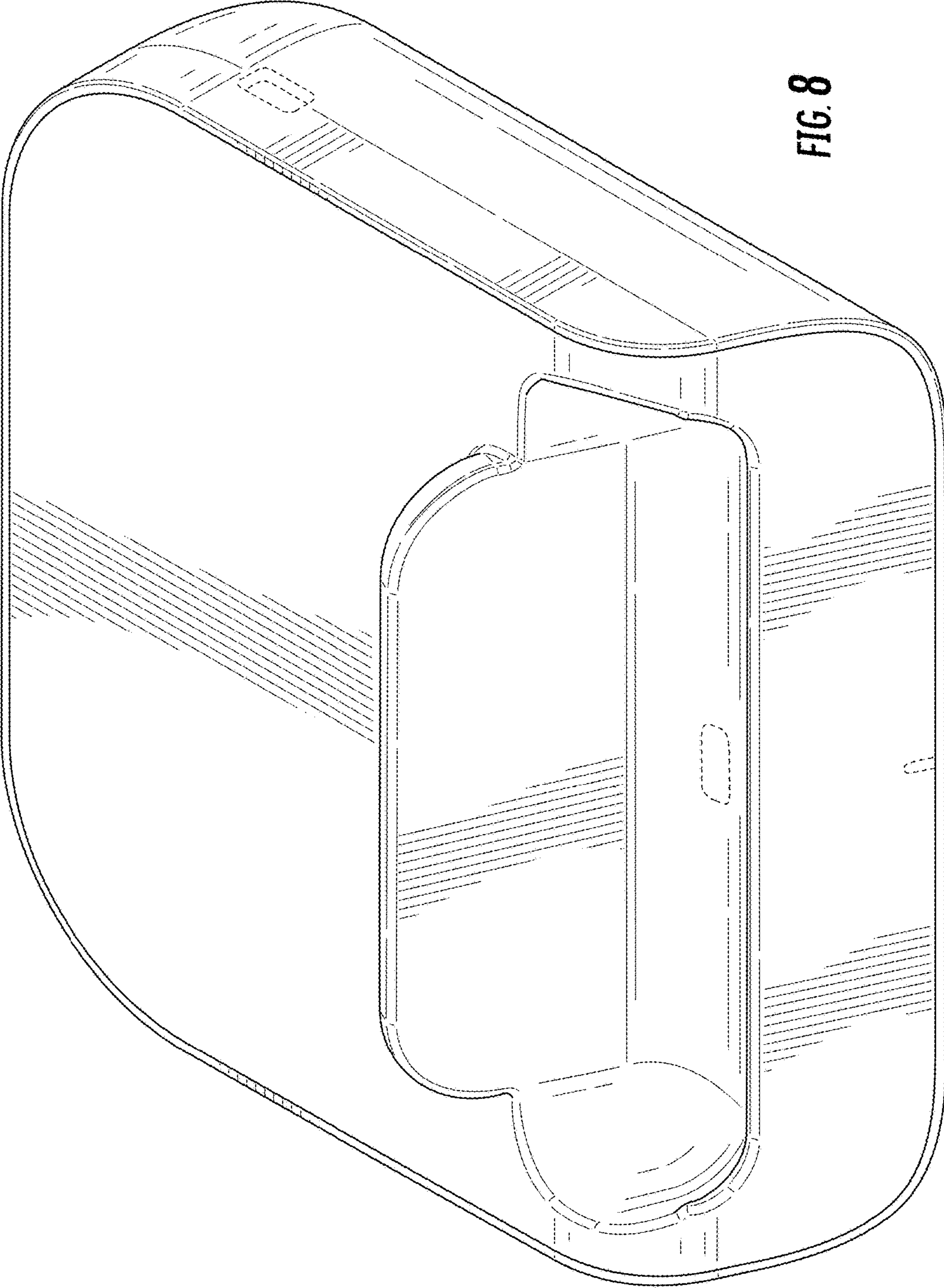


FIG. 8

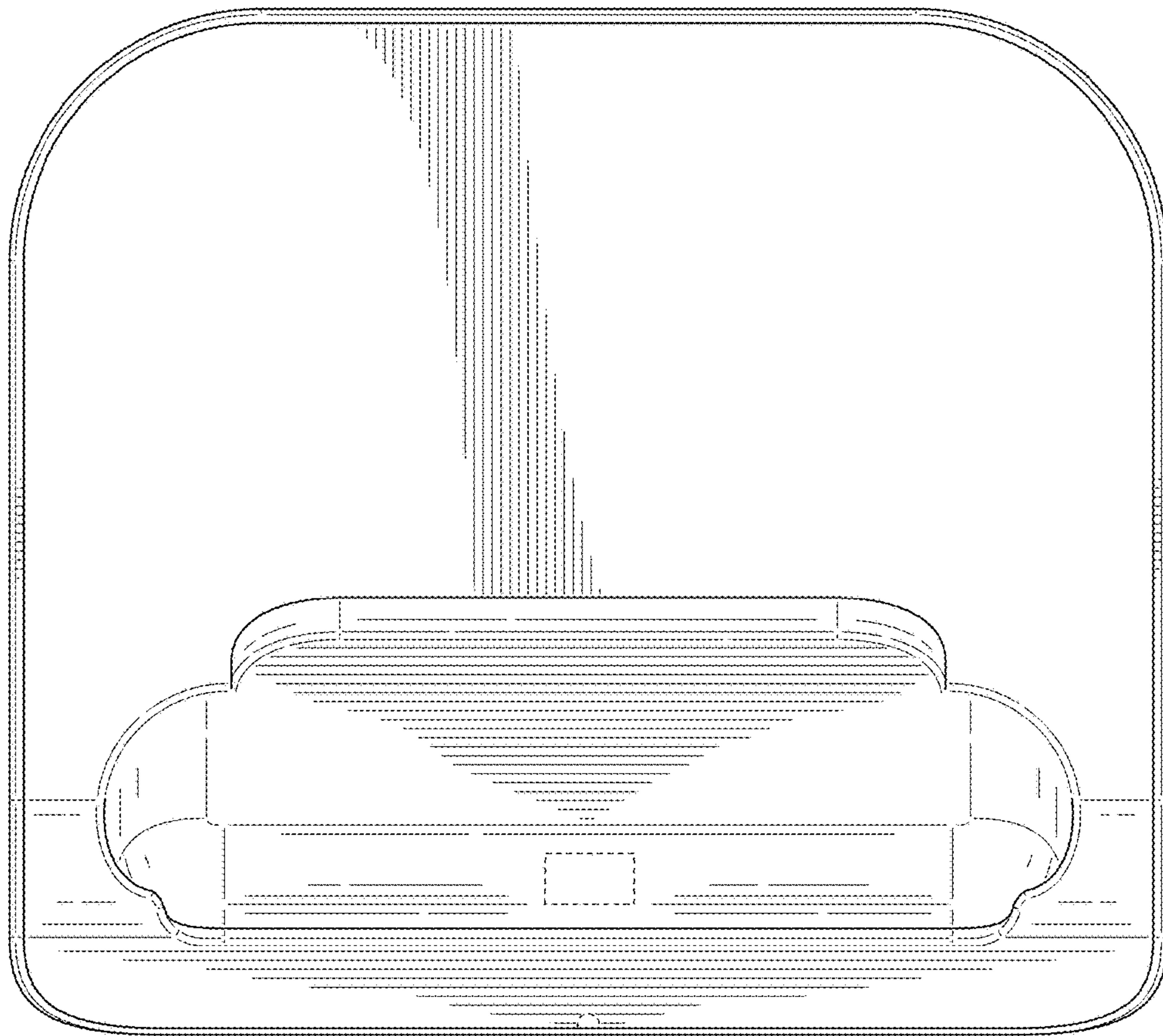


FIG. 9

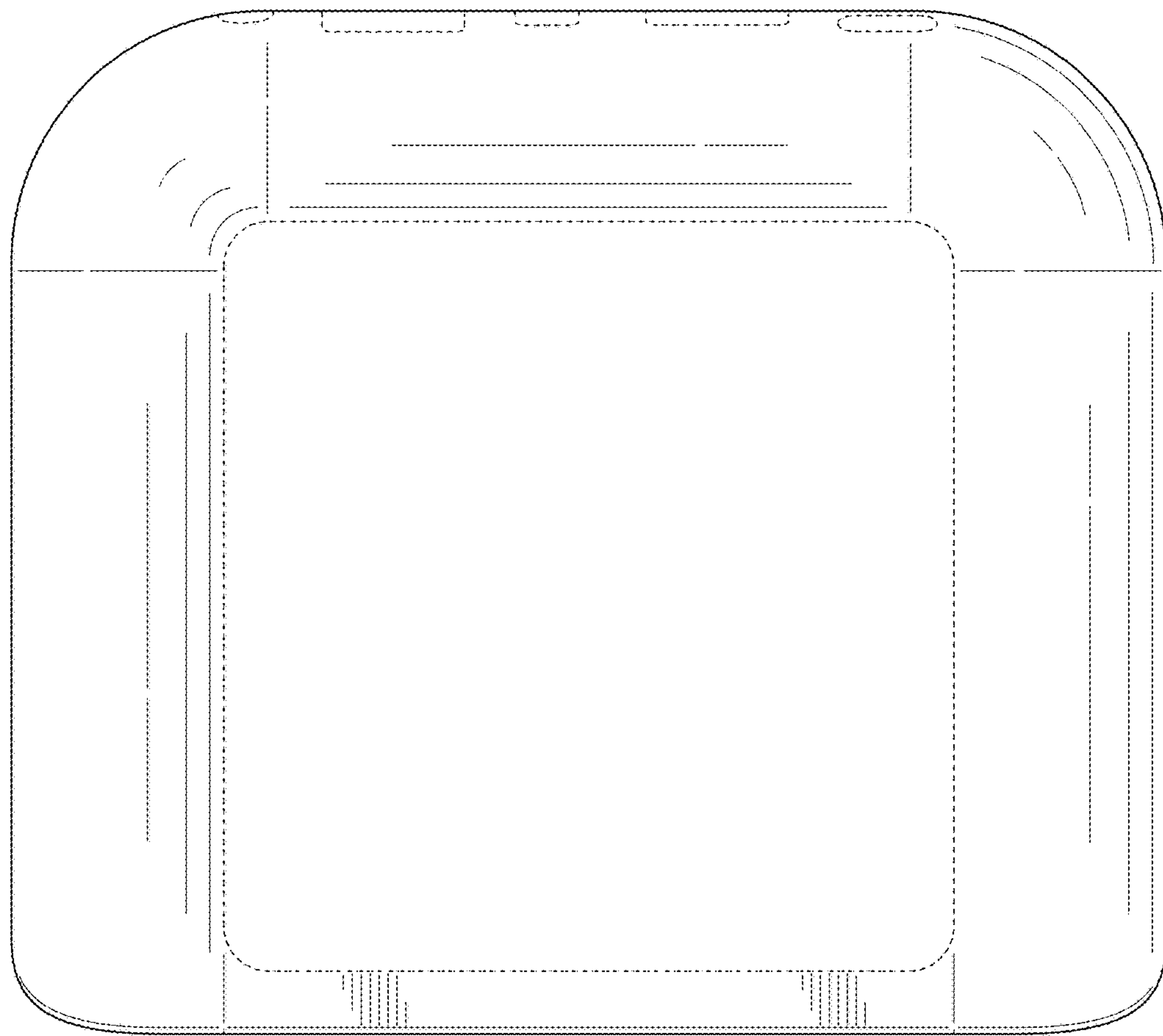


FIG. 10

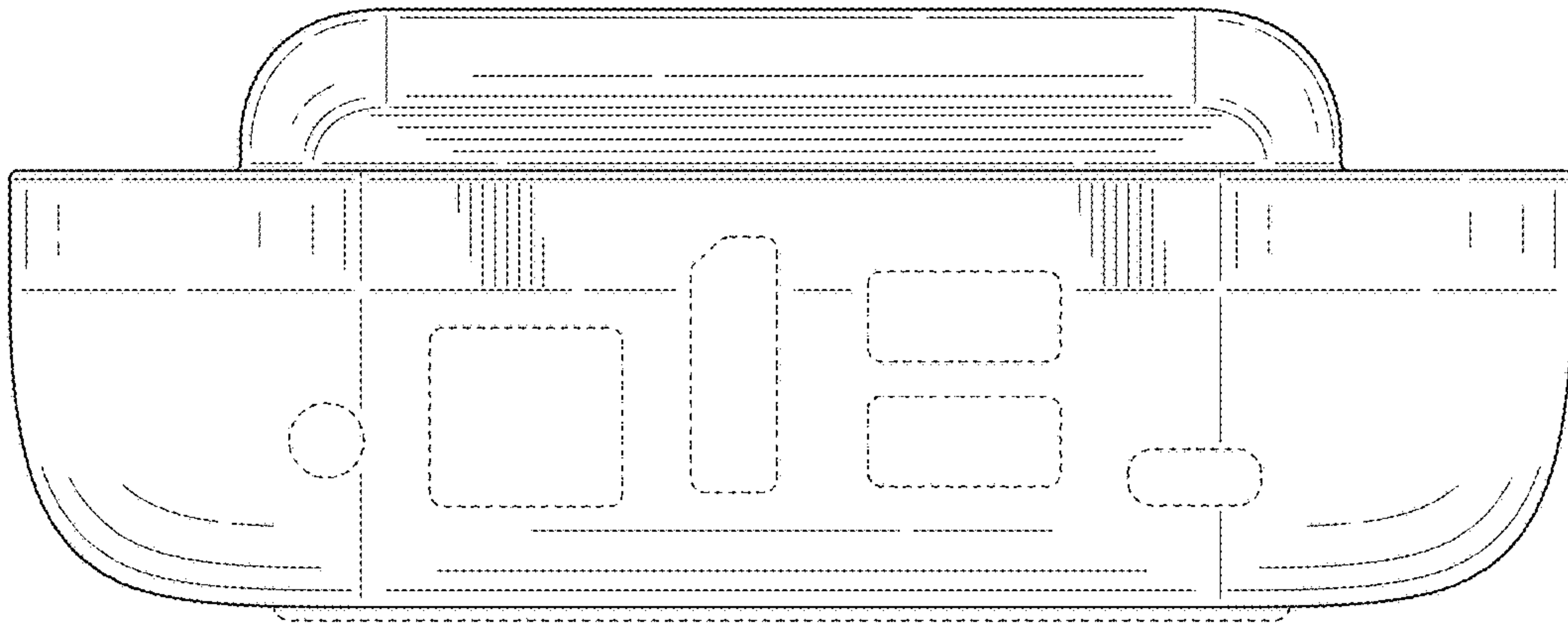


FIG. 11

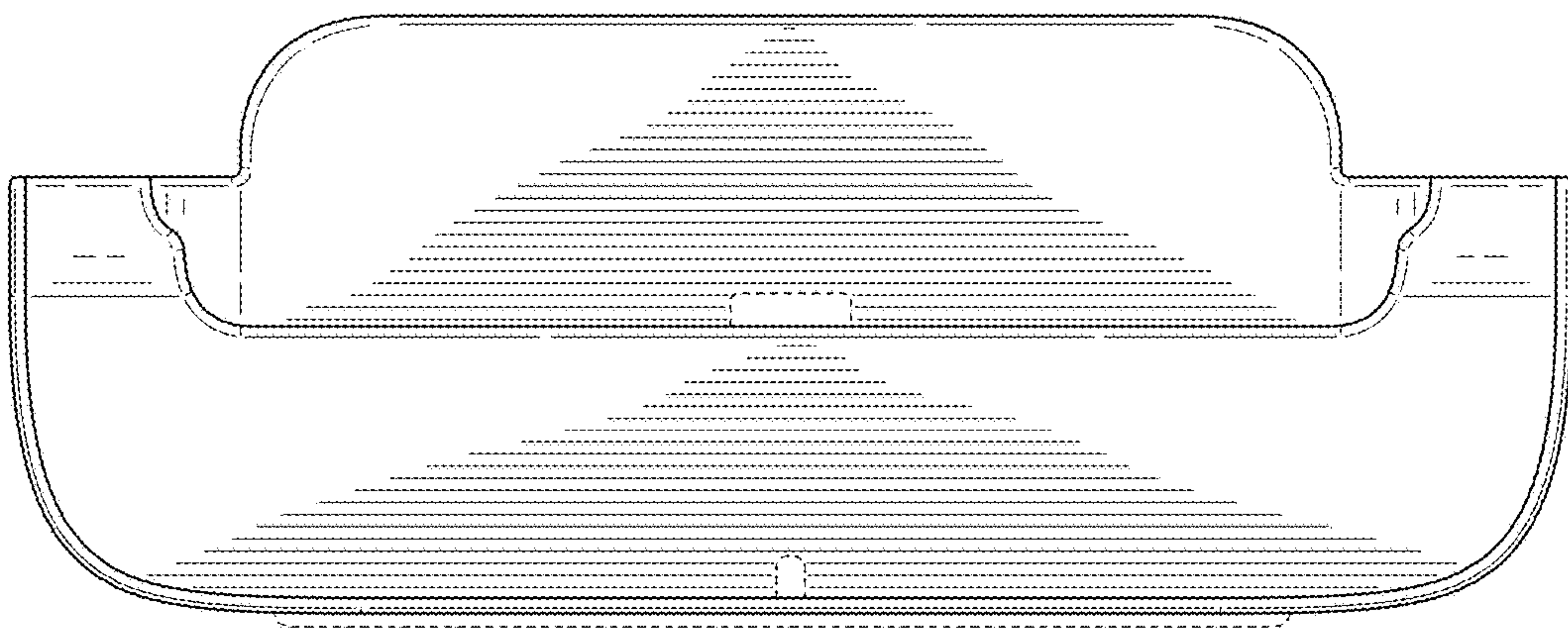


FIG. 12

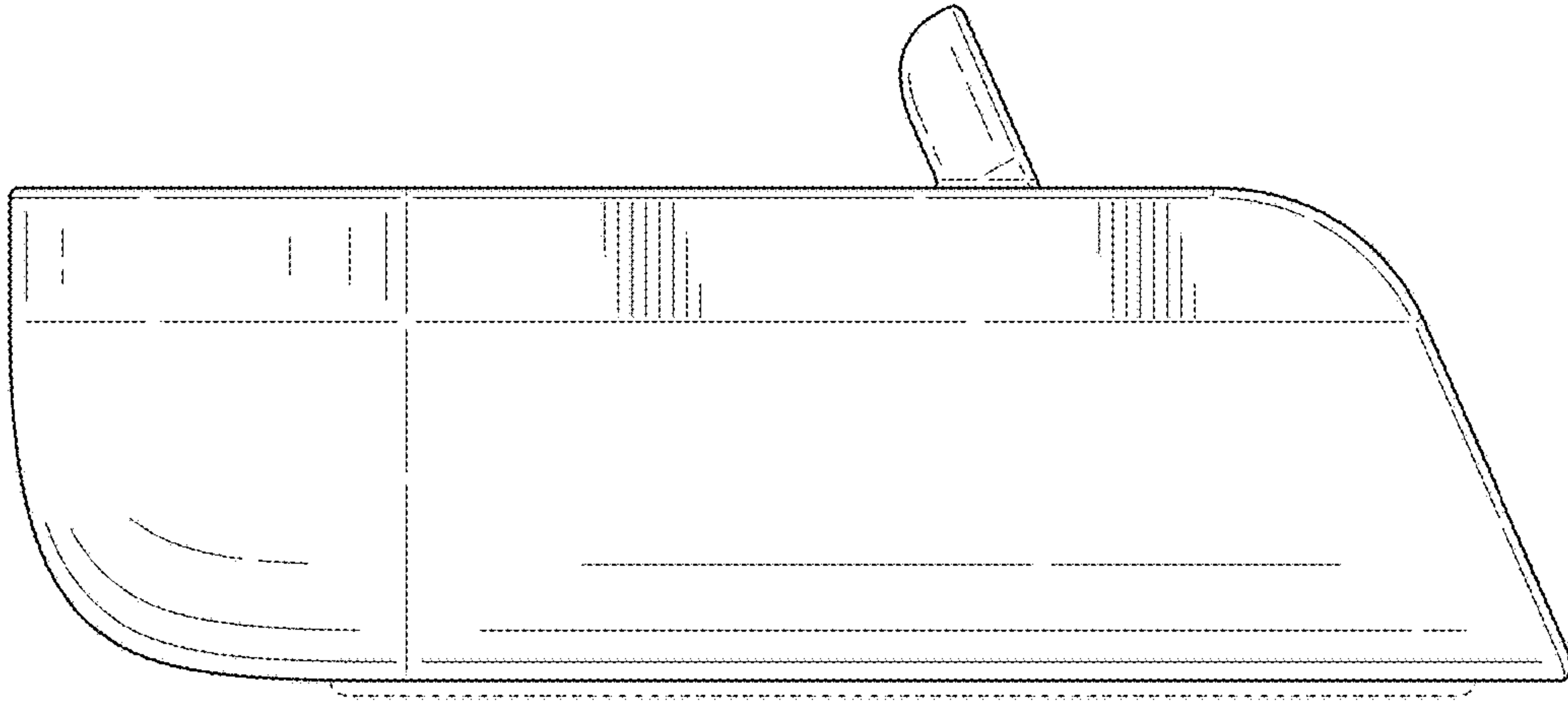


FIG. 13

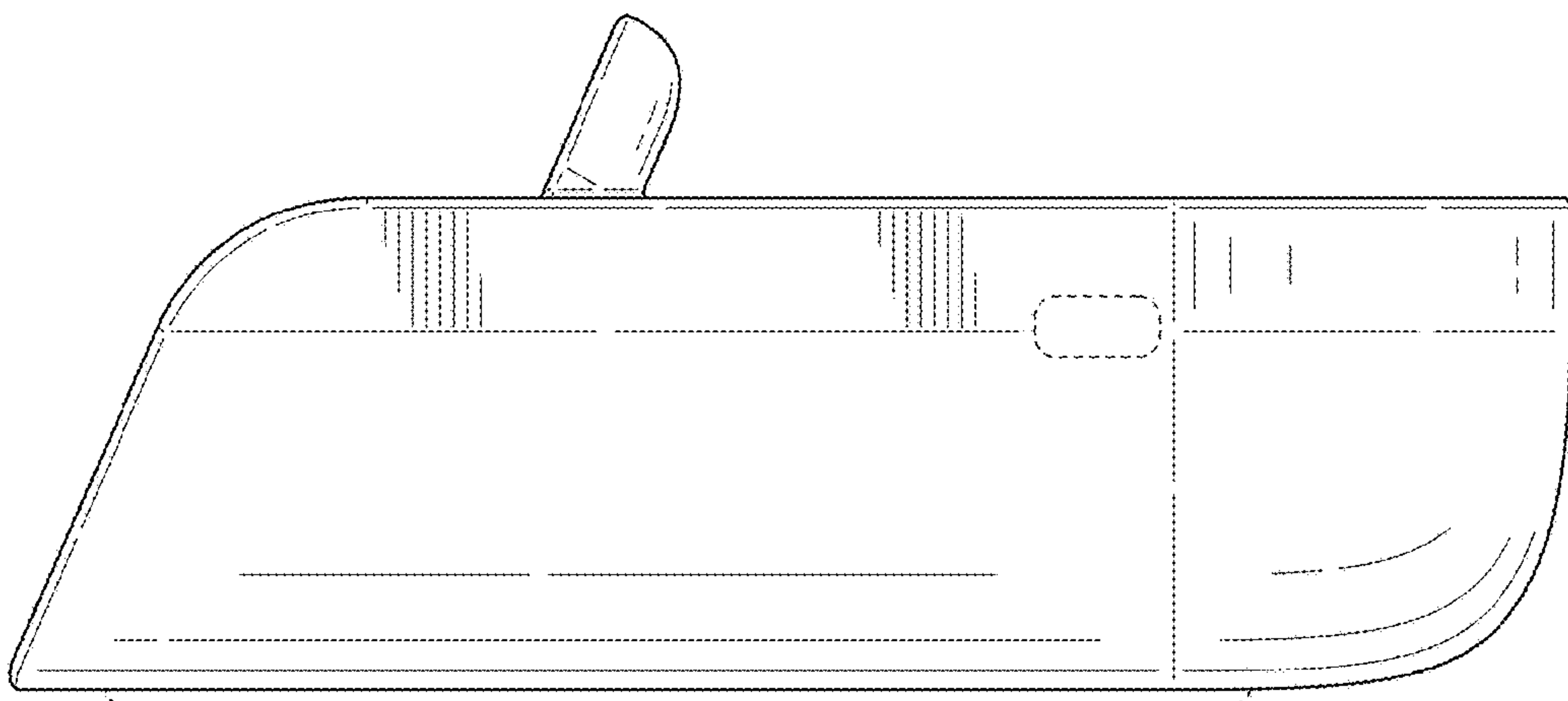


FIG. 14