



US00D806711S

(12) **United States Design Patent**
Sakaguchi et al.

(10) **Patent No.:** **US D806,711 S**
(45) **Date of Patent:** **** Jan. 2, 2018**

(54) **PORTABLE ELECTRONIC DEVICE**

(71) Applicant: **SomniQ, Inc.**, Menlo Park, CA (US)

(72) Inventors: **Rikko Sakaguchi**, Menlo Park, CA (US); **Ken Yano**, Tokyo (JP)

(73) Assignee: **SomniQ, Inc.**, Sunnyvale, CA (US)

(**) Term: **15 Years**

(21) Appl. No.: **29/548,309**

(22) Filed: **Dec. 11, 2015**

(51) **LOC (11) Cl.** **14-02**

(52) **U.S. Cl.**

USPC **D14/388**; D14/218

(58) **Field of Classification Search**

USPC D14/356, 357, 358, 361, 362, 365, 367, D14/370, 388, 432, 434, 203.1, 203.6, D14/204, 205, 216, 217, 218, 240, 242, D14/299, 125, 129, 130, 140, 155, 168, D14/188, 195, 300, 302, 314, 348, 351, D14/496, 399-401, 412-416, 454-457, D14/172, 399-401, 412-416; D13/103,

(Continued)

(56) **References Cited**

U.S. PATENT DOCUMENTS

D221,818 S * 9/1971 Chardack D24/167
D249,091 S * 8/1978 Burtis D14/339

(Continued)

FOREIGN PATENT DOCUMENTS

JP S59132718 7/1984
JP H11232012 8/1999

(Continued)

OTHER PUBLICATIONS

U.S. Appl. No. 15/373,989, entitled "Apparatus, System, and Methods for Interfacing With a User and/or External Apparatus by Stationary State Detection", filed Dec. 9, 2016.

(Continued)

Primary Examiner — Susan Bennett Hattan

Assistant Examiner — Marie D. Fast Horse

(74) *Attorney, Agent, or Firm* — Dorsey & Whitney LLP

(57) **CLAIM**

The ornamental design for a portable electronic device, as shown and described.

DESCRIPTION

FIG. 1 is an isometric view of a portable electronic device according to the first embodiment of our design;

FIG. 2 is a front view thereof;

FIG. 3 is a left side view thereof;

FIG. 4 is a right side view thereof;

FIG. 5 is a back view thereof;

FIG. 6 is a bottom view thereof; and

FIG. 7 is a top view thereof;

FIG. 8 is an isometric view of a portable electronic device according to the second embodiment of our design;

FIG. 9 is a front view thereof;

FIG. 10 is a left side view thereof;

FIG. 11 is a right side view thereof;

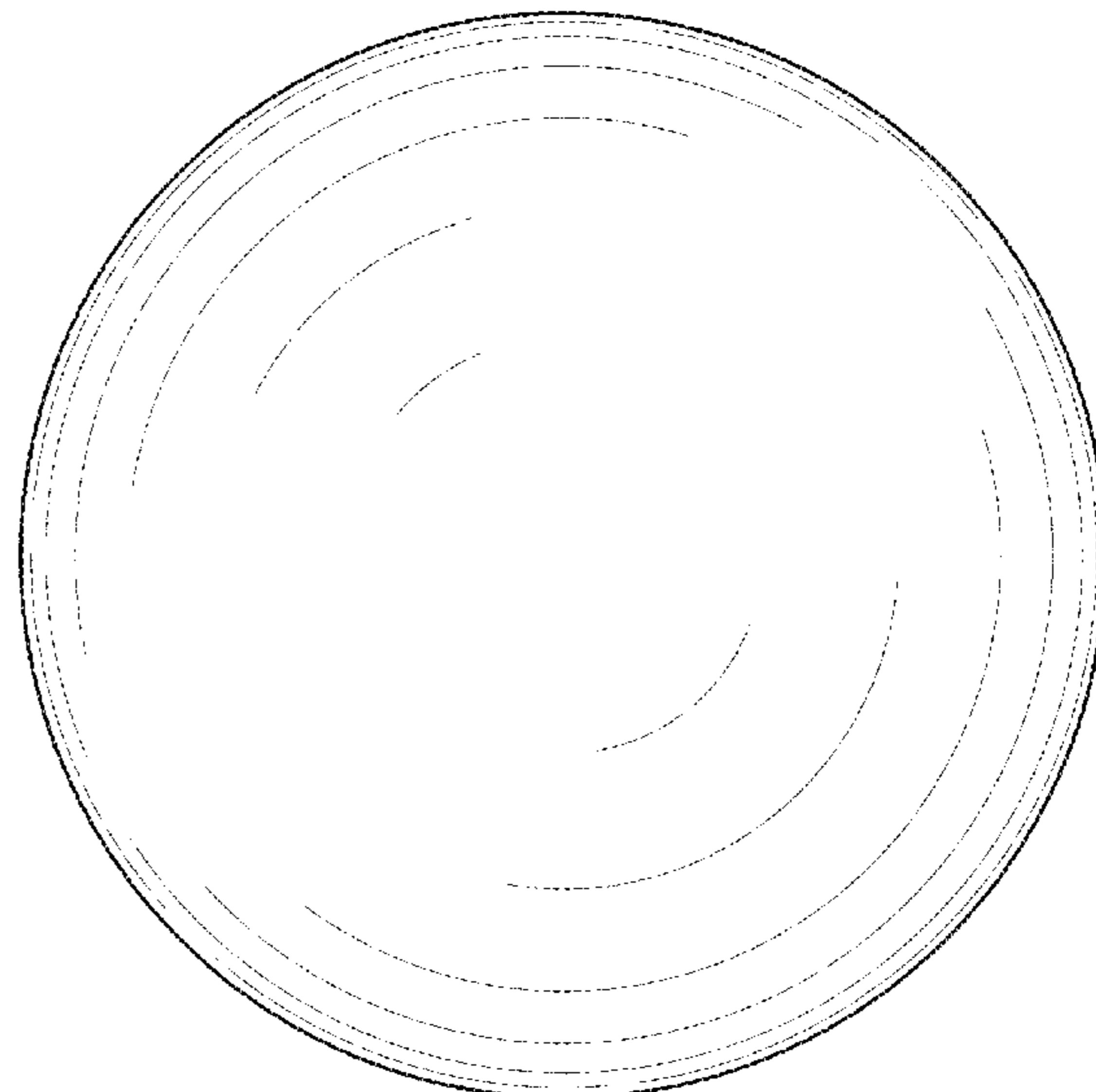
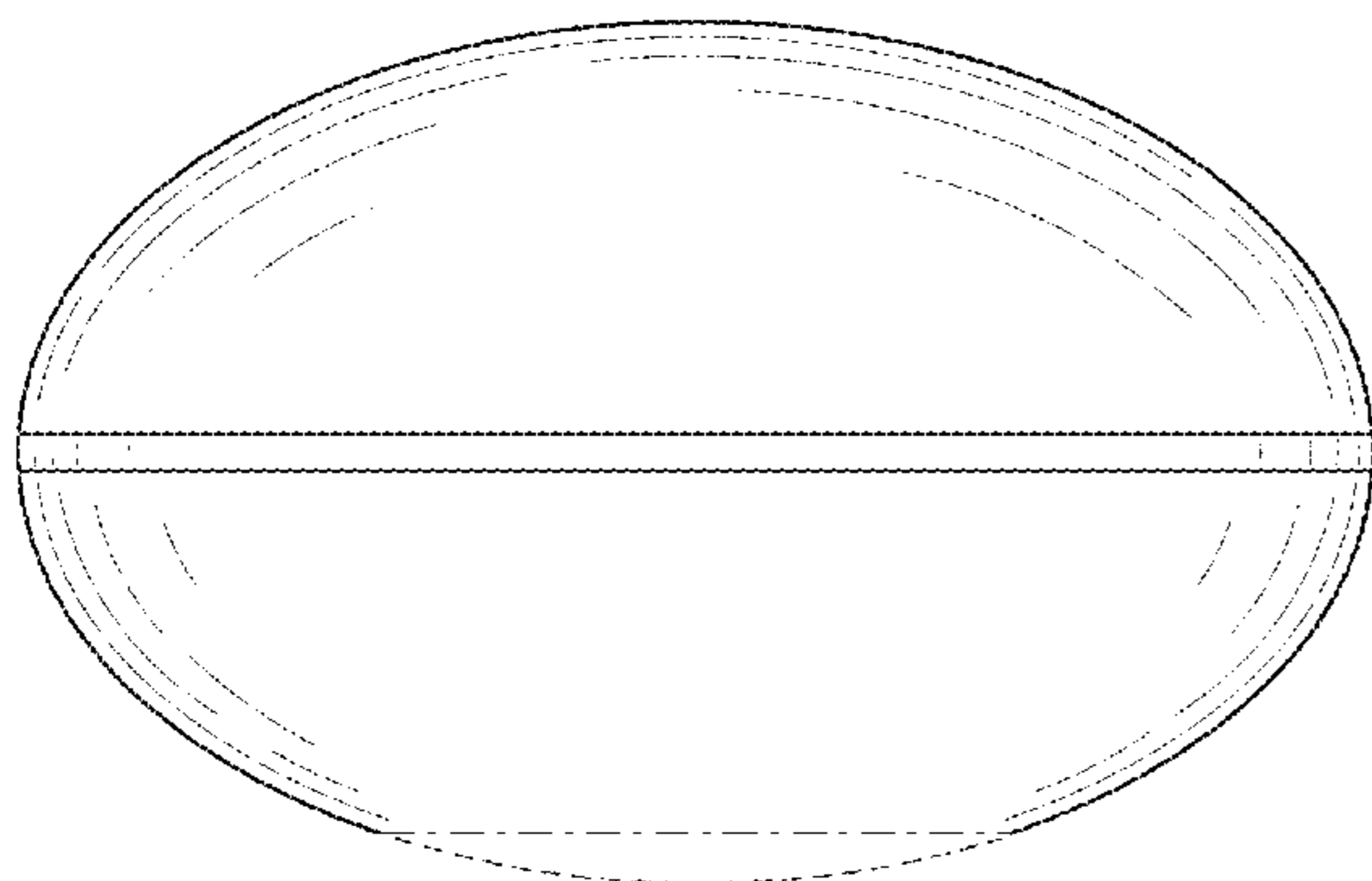
FIG. 12 is a back view thereof;

FIG. 13 is a bottom view thereof; and,

FIG. 14 is a top view thereof.

The dash-dot broken line defines the boundary of the claim, which extends to the boundary but does not include the boundary; while all other broken lines depict portions of the portable electronic device that form no part of the claim. All broken lines form no part of the claim. The shade lines indicate the character and contour of the surfaces represented, not to be confused with surface ornamentation.

1 Claim, 8 Drawing Sheets



(58) **Field of Classification Search**

USPC ... D13/107, 108, 123, 162, 162.1, 163, 168,
 D13/184, 199; D10/104.1, 106.6, 116.1,
 D10/61, 62, 64, 65, 75; D21/324, 332,
 D21/333; D24/167, 168, 186; D28/8.1,
 D28/8.2, 82; D3/229, 273; D9/545, 549,
 D9/428
 CPC ... G06F 3/00; G06F 3/01; G06F 3/011; G06F
 3/012; G06F 3/013; G06F 3/015; G06F
 3/016; G06F 3/017; G06F 3/0304; G06F
 3/0346; G06F 3/041; G06F 3/16; G06F
 3/0202; G06F 1/1694; G06F 2203/0384;
 G08B 21/00

See application file for complete search history.

(56) **References Cited**

U.S. PATENT DOCUMENTS

D262,464 S * 12/1981 Vernon, Jr. D21/324
 D286,124 S * 10/1986 Dempsey D7/501
 D297,328 S * 8/1988 Nozo D14/358
 4,804,945 A 2/1989 Millet
 D303,356 S * 9/1989 Couch 33/536
 D324,106 S * 2/1992 Greenblatt D24/200
 D325,582 S * 4/1992 Emmons D14/218
 D327,690 S * 7/1992 Ogawa D14/230
 D331,060 S * 11/1992 Emmons D14/218
 5,243,430 A * 9/1993 Emmons H03J 1/0025
 340/12.22
 D339,986 S * 10/1993 Garouste D9/519
 D345,507 S * 3/1994 Granai D9/424
 D363,569 S * 10/1995 Lai D28/82
 D382,255 S * 8/1997 Moffatt D13/147
 D396,852 S * 8/1998 Chao D14/358
 D408,285 S * 4/1999 Favre D28/76
 D408,590 S * 4/1999 Litton D28/82
 D414,190 S * 9/1999 Pinchuk D11/131
 D418,125 S * 12/1999 Jobs D14/408
 D430,358 S * 8/2000 Papiernik D28/91.1
 D433,994 S * 11/2000 Jobs D13/110
 D443,726 S * 6/2001 Faillant-Dumas D28/82
 D443,727 S * 6/2001 Faillant-Dumas D28/82
 D463,991 S * 10/2002 Curry D10/104.1
 D465,469 S * 11/2002 Heath D10/104.1
 D465,733 S * 11/2002 Hill D9/519
 D467,037 S * 12/2002 Bakic D28/82
 6,558,165 B1 * 5/2003 Curry G09B 23/28
 434/236
 D479,366 S * 9/2003 Goswell D28/82
 D480,396 S * 10/2003 Buckner D14/341
 D489,706 S * 5/2004 Chen D14/195
 D494,633 S * 8/2004 Nussberger D21/324
 D496,004 S * 9/2004 Borsboom D13/168
 D503,692 S * 4/2005 Basta D13/184
 D518,030 S * 3/2006 Lin D14/218
 D518,819 S * 4/2006 Gray D14/230
 D521,512 S * 5/2006 Kunzi D14/388
 D526,916 S * 8/2006 Oas D10/70
 D558,767 S * 1/2008 Solland D14/400
 D561,022 S * 2/2008 Terrasi D9/424
 D578,711 S * 10/2008 Burrow D28/82
 D595,734 S * 7/2009 Son D14/203.2
 D596,815 S * 7/2009 Baek D32/21
 D597,524 S * 8/2009 Jha D14/207
 D601,564 S 10/2009 Maeno
 D602,858 S * 10/2009 Ellis D13/108
 D602,915 S * 10/2009 Song D14/218
 D602,916 S * 10/2009 Won D14/218
 D606,973 S * 12/2009 Jha D14/207
 D607,347 S * 1/2010 Goh D10/46
 D610,479 S * 2/2010 Shi D10/106.91
 D619,562 S * 7/2010 Jha D14/207
 D626,147 S * 10/2010 Goddard D14/496
 D627,306 S * 11/2010 Charleux D13/168
 D628,190 S * 11/2010 Jha D14/207

D632,265 S * 2/2011 Choi D13/168
 D632,281 S * 2/2011 Hoehn D14/218
 D636,380 S * 4/2011 Valeur D14/218
 D636,760 S * 4/2011 Cheng D14/216
 D637,306 S * 5/2011 Feuerabend D24/215
 D643,412 S * 8/2011 Brady D14/218
 8,089,458 B2 * 1/2012 Barney A63H 30/04
 345/158
 D654,866 S * 2/2012 Rautiainen D13/108
 D656,034 S * 3/2012 Wanders D9/428
 D672,465 S * 12/2012 Sherman D24/207
 D683,636 S * 6/2013 Levanen D10/70
 D683,843 S * 6/2013 Cudworth D24/109
 D685,790 S * 7/2013 Tang D14/218
 D700,080 S * 2/2014 Broadbent D10/65
 D700,571 S * 3/2014 Guccione D13/108
 D717,674 S * 11/2014 Vu D10/65
 D719,165 S * 12/2014 Hill D14/412
 D726,924 S * 4/2015 Tseng D24/186
 D729,773 S * 5/2015 Salojarvi D14/218
 D730,891 S * 6/2015 Wang D14/314
 D731,334 S * 6/2015 Fiedler D10/70
 D731,579 S * 6/2015 Bart D16/203
 D732,033 S 6/2015 Sakaguchi
 D738,376 S 9/2015 Sakaguchi
 D743,645 S * 11/2015 Lee D32/21
 9,189,090 B2 * 11/2015 Tanaka G06F 3/038
 9,218,055 B2 12/2015 Sakaguchi et al.
 D746,886 S * 1/2016 Breazeal D15/199
 D747,984 S * 1/2016 Zhao D10/52
 D752,531 S * 3/2016 Xu D14/125
 D755,750 S * 5/2016 Chen D14/172
 D756,955 S * 5/2016 Wagner D14/203.6
 D763,967 S * 8/2016 Kujawski D14/401
 D768,114 S * 10/2016 Hou D13/168
 D769,846 S * 10/2016 Hong D14/216
 D770,417 S * 11/2016 Chen D14/216
 D773,947 S * 12/2016 Scarcella D10/104.1
 D774,717 S * 12/2016 Choi D32/21
 D776,820 S * 1/2017 Rouillac D24/167
 D777,331 S * 1/2017 Jayalath D14/344
 D778,876 S * 2/2017 Zhang D14/216
 D778,878 S * 2/2017 de Vaal D14/218
 D783,838 S * 4/2017 Zhao D24/186
 2002/0055383 A1 5/2002 Onda et al.
 2004/0250218 A1 12/2004 Wecker et al.
 2006/0028429 A1 2/2006 Kanevsky et al.
 2007/0135689 A1 6/2007 Masamichi et al.
 2007/0247439 A1 10/2007 Daniel et al.
 2009/0021380 A1 1/2009 Higuchi et al.
 2010/0123588 A1 5/2010 Cruz Hernandez
 2010/0144436 A1 6/2010 Marks et al.
 2012/0062483 A1 3/2012 Ciesla et al.
 2012/0280917 A1 11/2012 Toksvig et al.
 2013/0063611 A1 3/2013 Papakipos et al.
 2014/0112556 A1 4/2014 Kalinli-Akbacak
 2014/0139466 A1 5/2014 Sakaguchi et al.
 2014/0285435 A1 9/2014 Bezos
 2014/0324749 A1 10/2014 Peters et al.
 2015/0268737 A1 * 9/2015 Gelfond G06F 3/017
 345/156
 2016/0062496 A1 3/2016 Sakaguchi et al.
 2016/0246373 A1 8/2016 Sakaguchi et al.
 2017/0168595 A1 6/2017 Sakaguchi et al.

FOREIGN PATENT DOCUMENTS

JP 2001-025984 A 1/2001
 JP 2007034544 2/2007
 JP 2007058844 3/2007
 JP 2009026125 2/2009
 JP 2012075089 4/2012
 JP 2012509145 4/2012
 KR 2009-0093286 9/2009
 KR 2012-0092316 8/2012
 WO 0237249 A2 5/2002
 WO 2007034388 A2 3/2007
 WO 2009036327 A1 3/2009

(56)

References Cited

FOREIGN PATENT DOCUMENTS

WO	2013055380	A1	4/2013
WO	2016137797	A1	9/2016
WO	2017100641	A1	6/2017

OTHER PUBLICATIONS

JP Office Action for JP appl. 2016-012586 dated Nov. 8, 2016.
Cai, Yang, "Empathic Computing", Ambient Intelligence in Every-day Life, LNAI 3864, Jan. 2006, 67-95.
First Office Action for JP Application No. 2017-002177, dated Jul. 25, 2017.

* cited by examiner

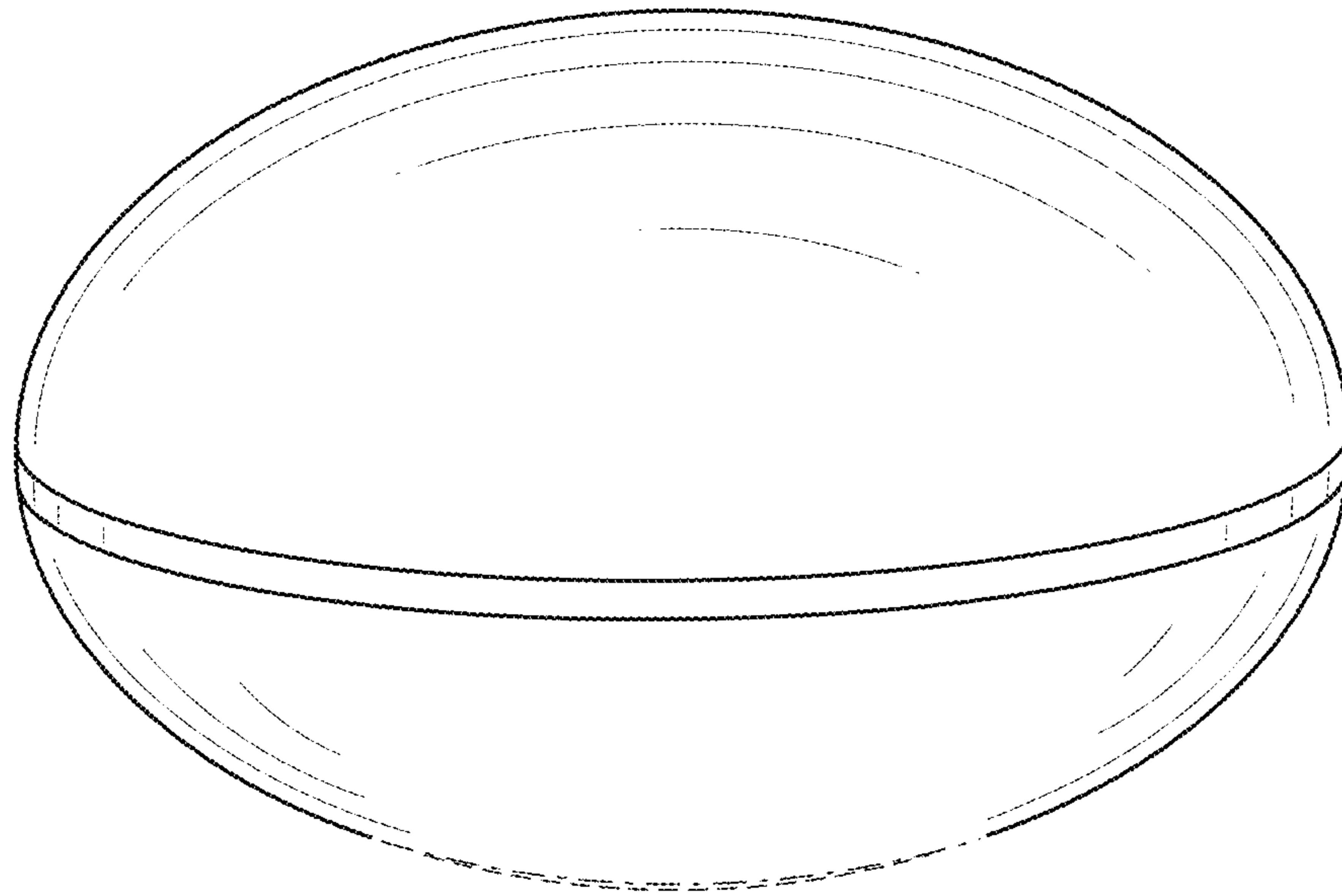


FIG. 1

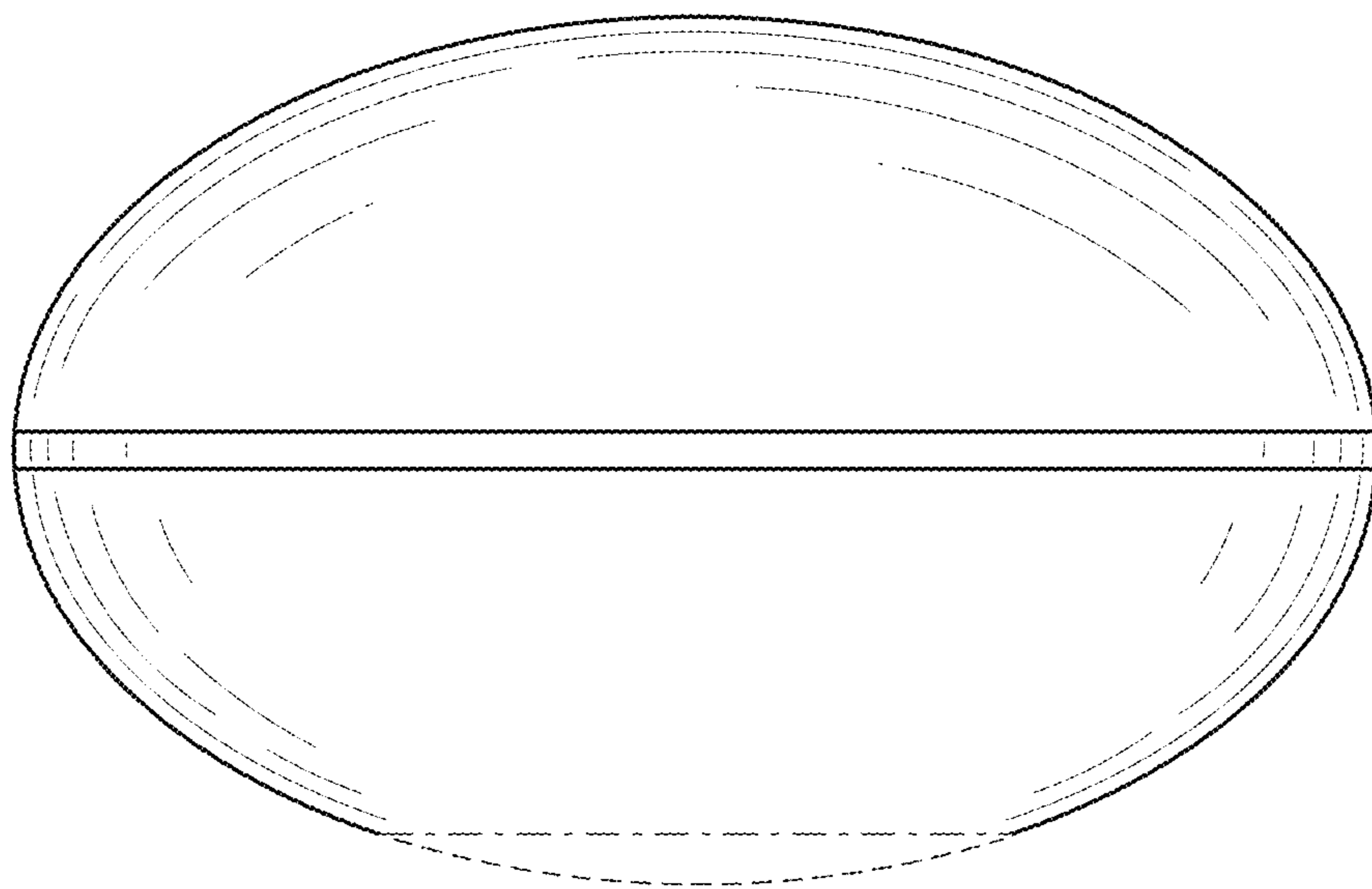


FIG. 2

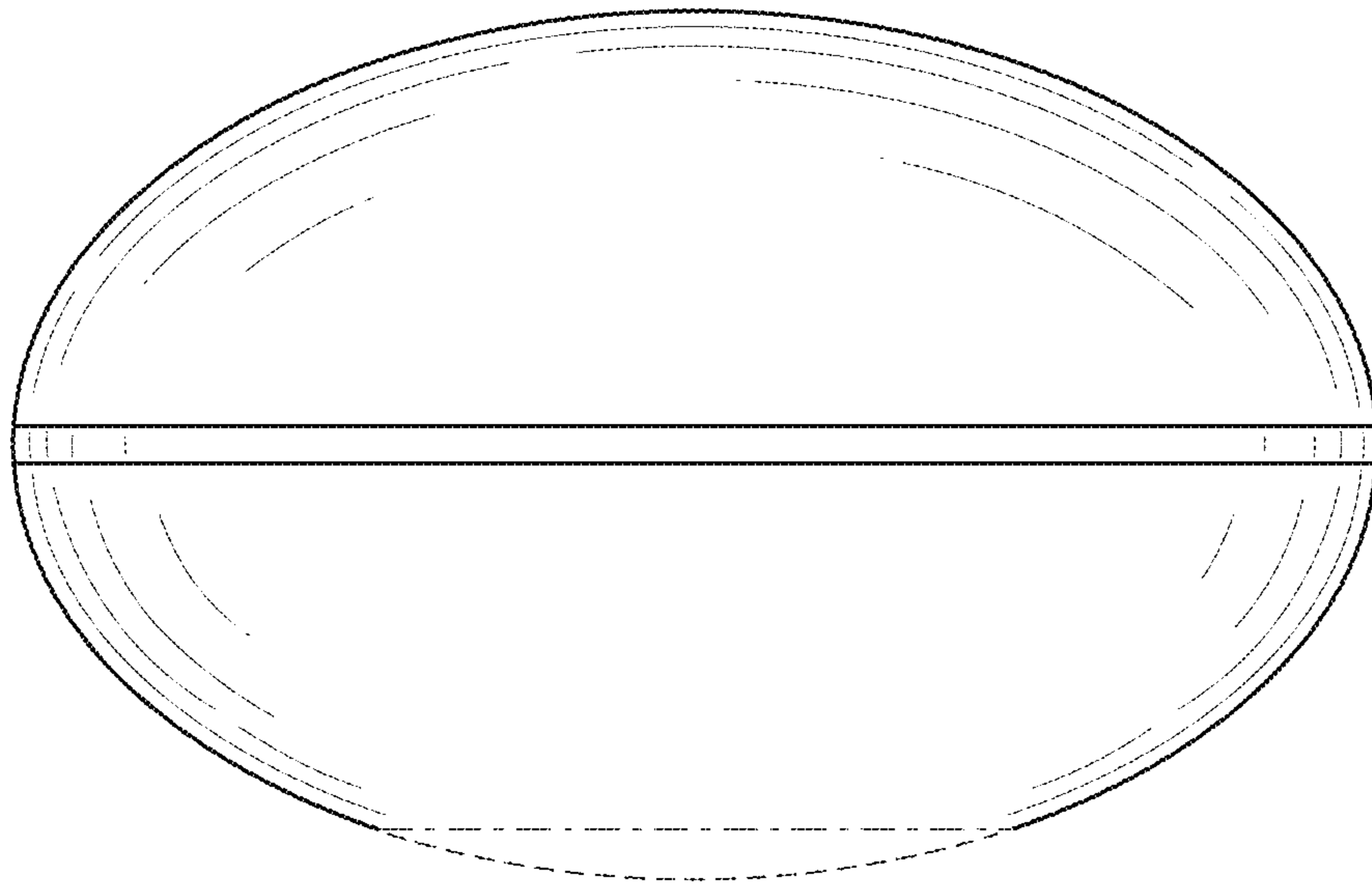


FIG. 3

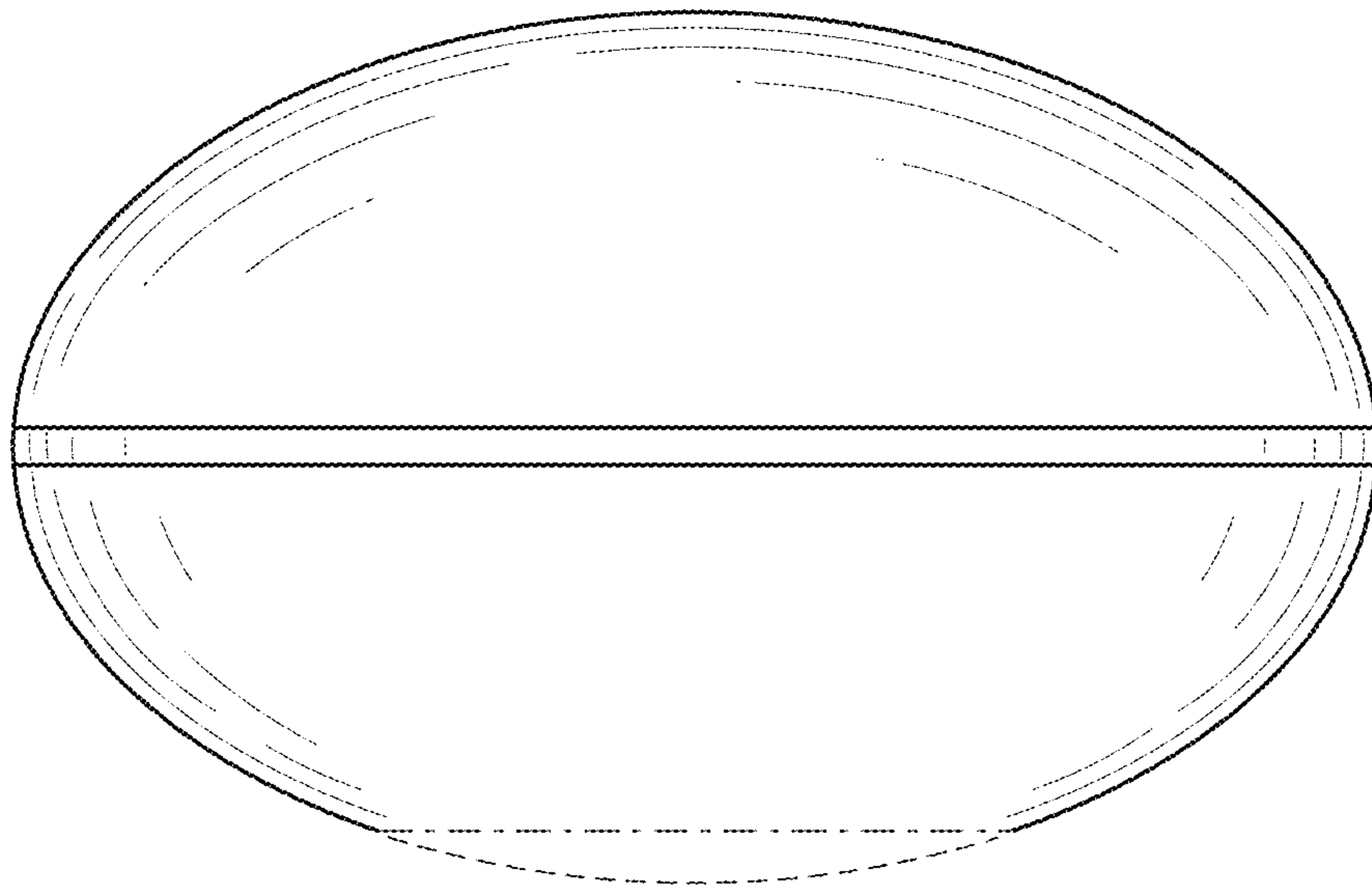


FIG. 4

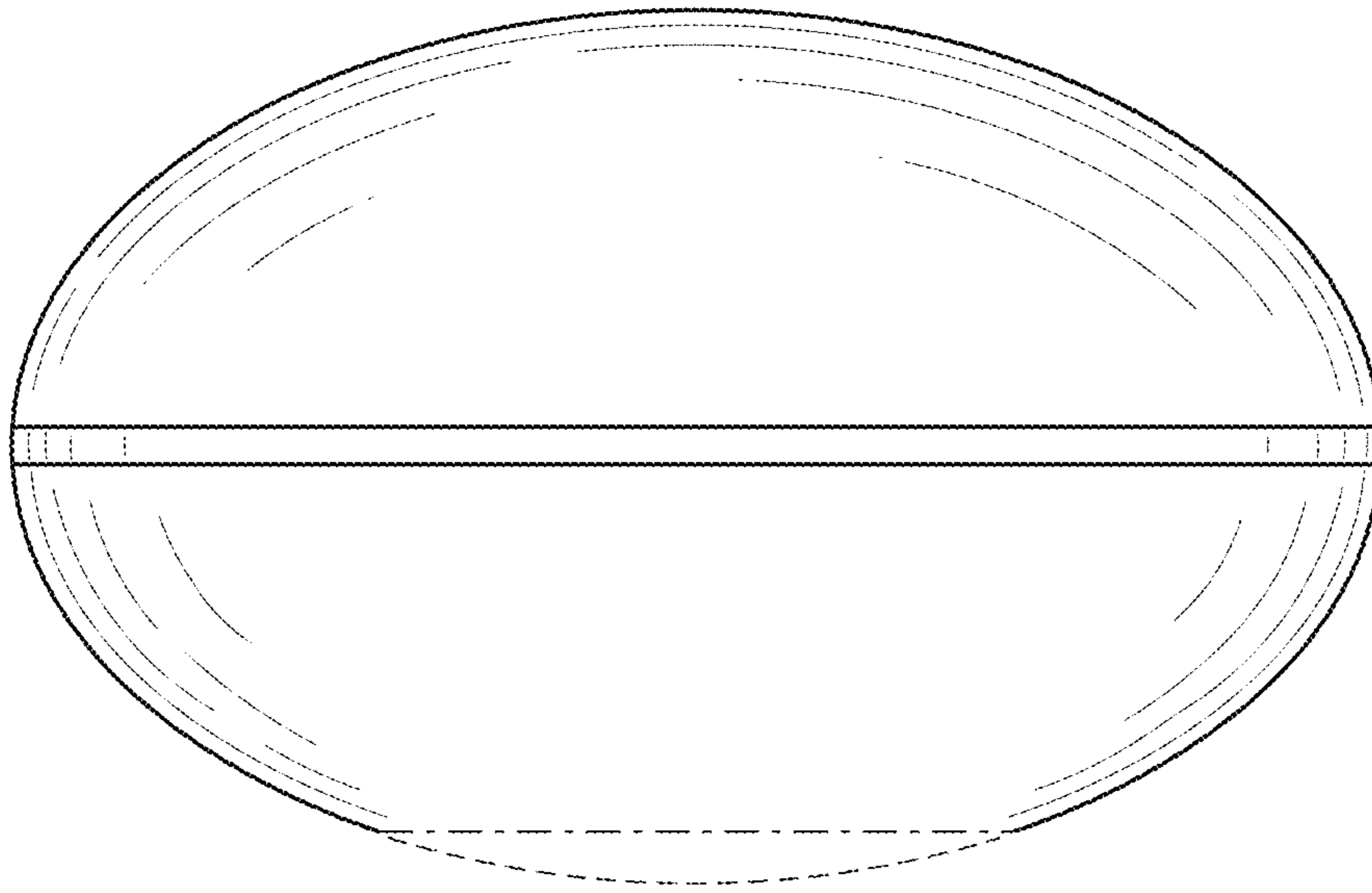


FIG. 5

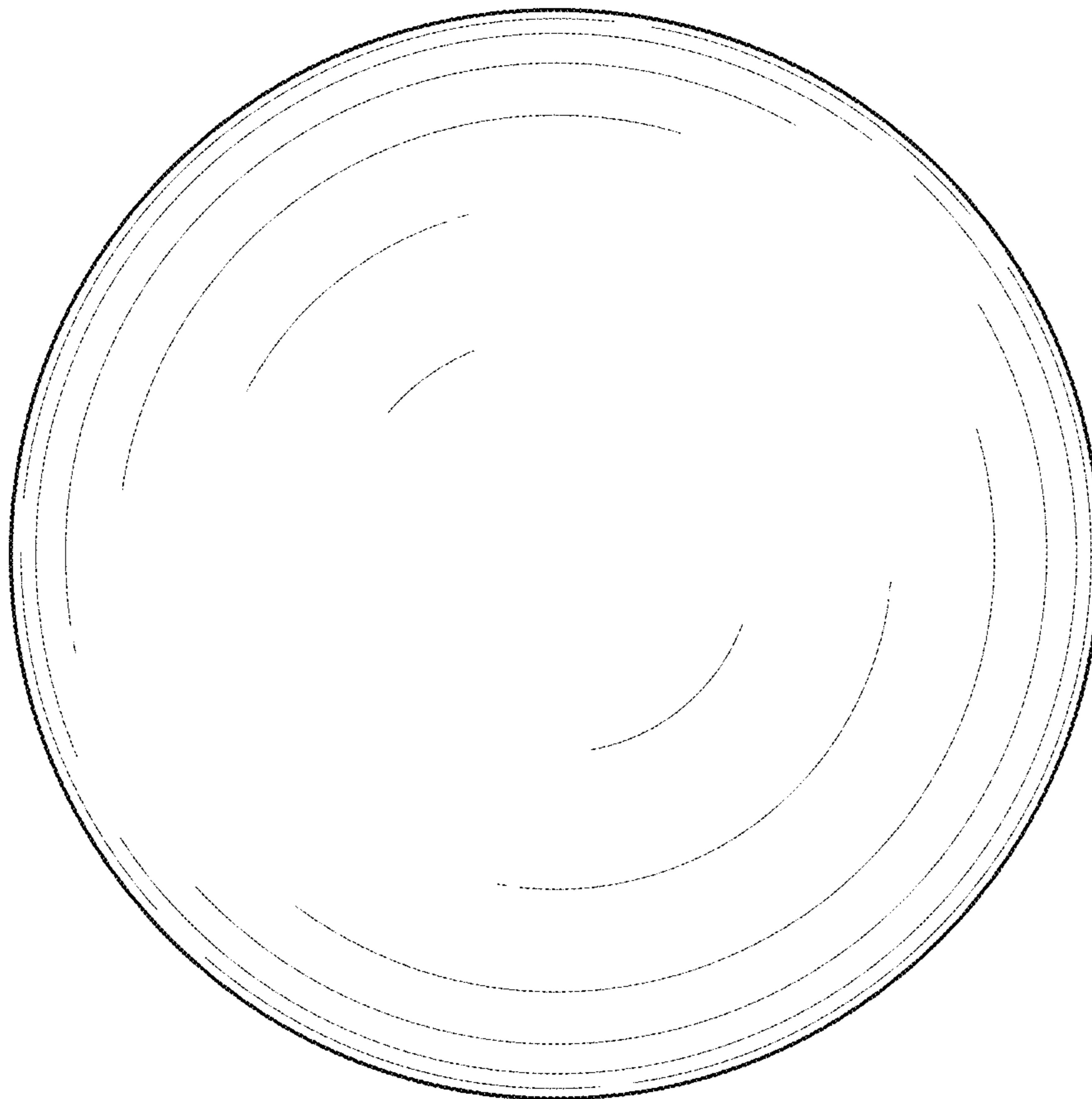


FIG. 6

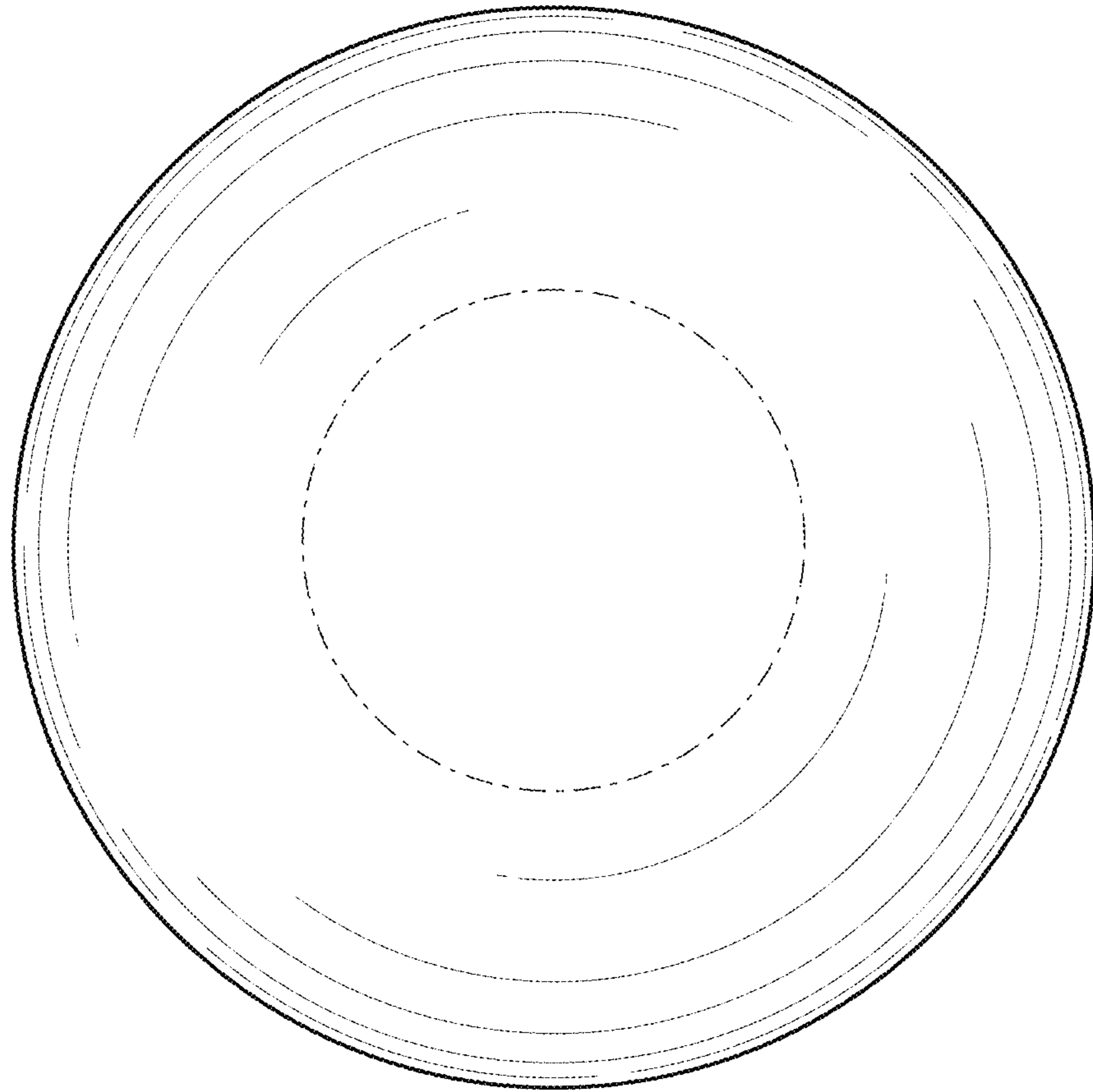


FIG. 7

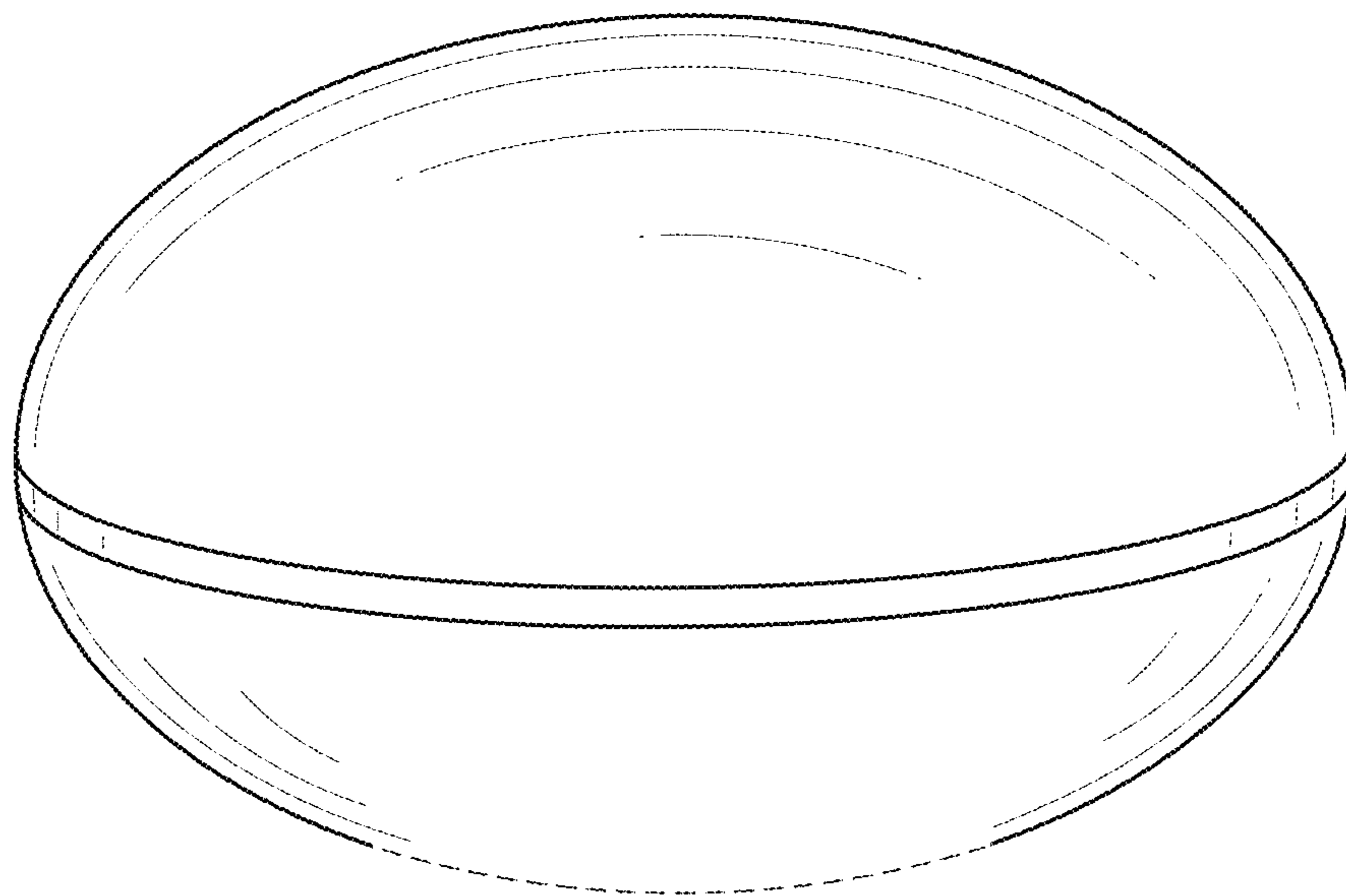


FIG. 8

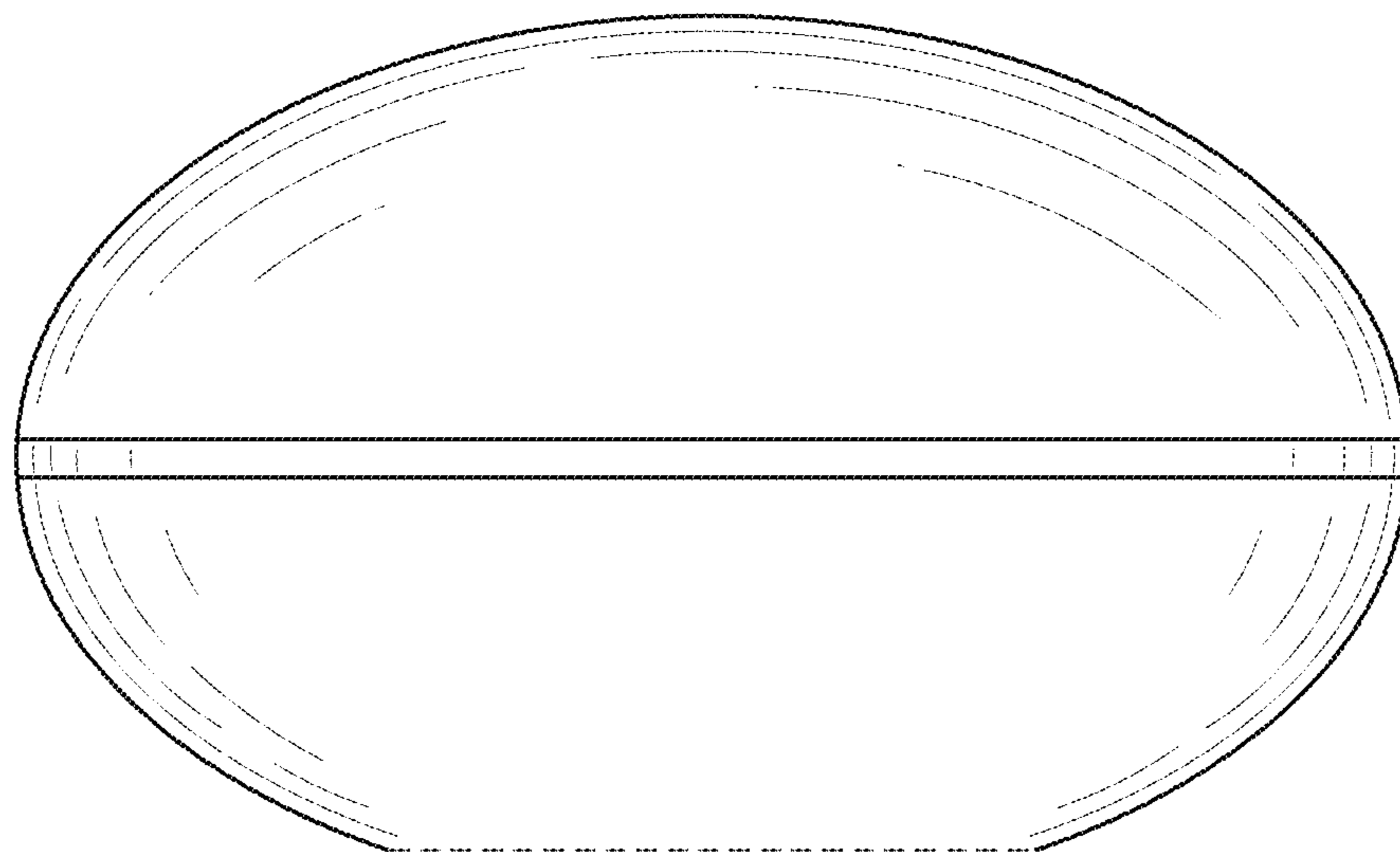


FIG. 9

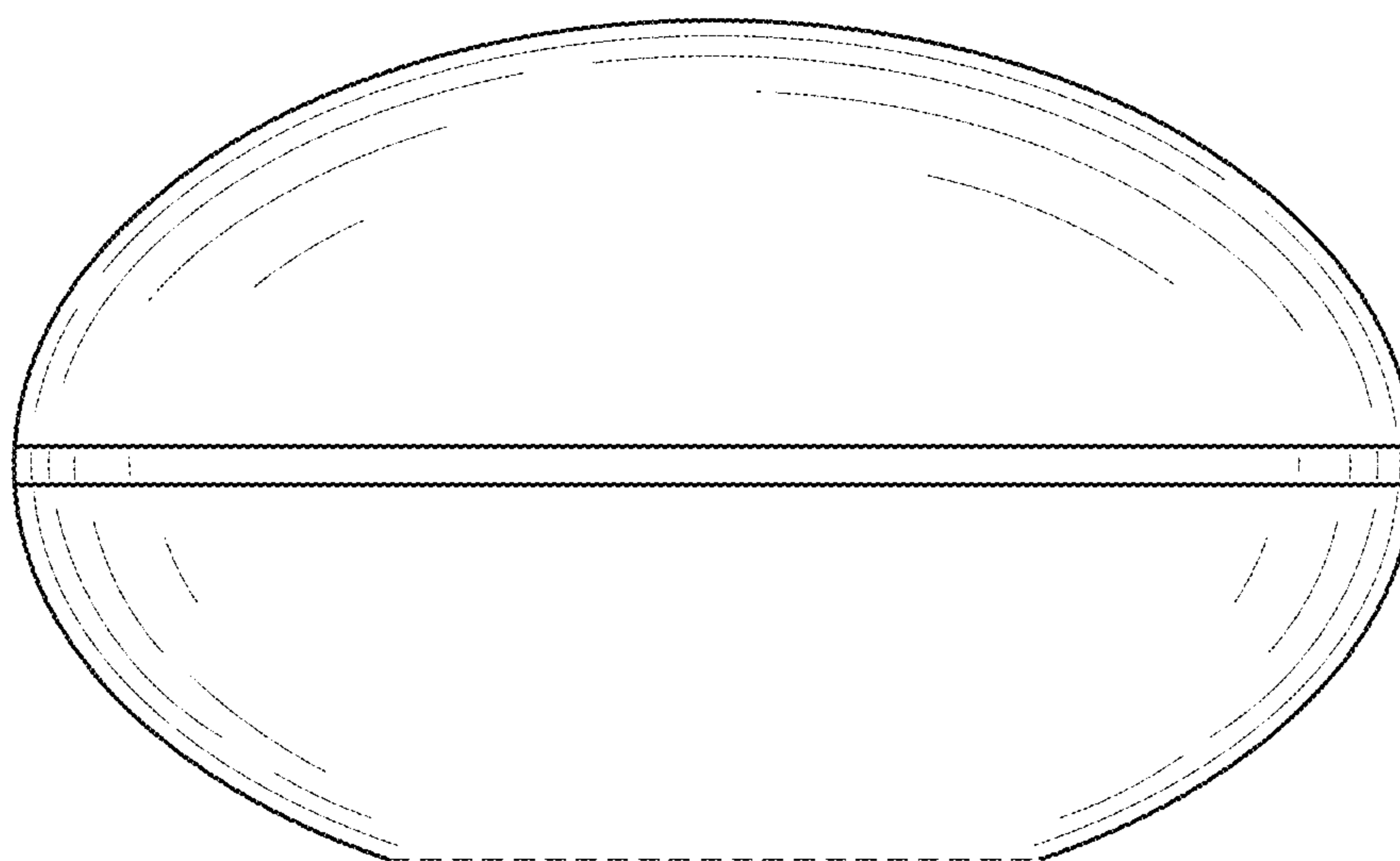


FIG. 10

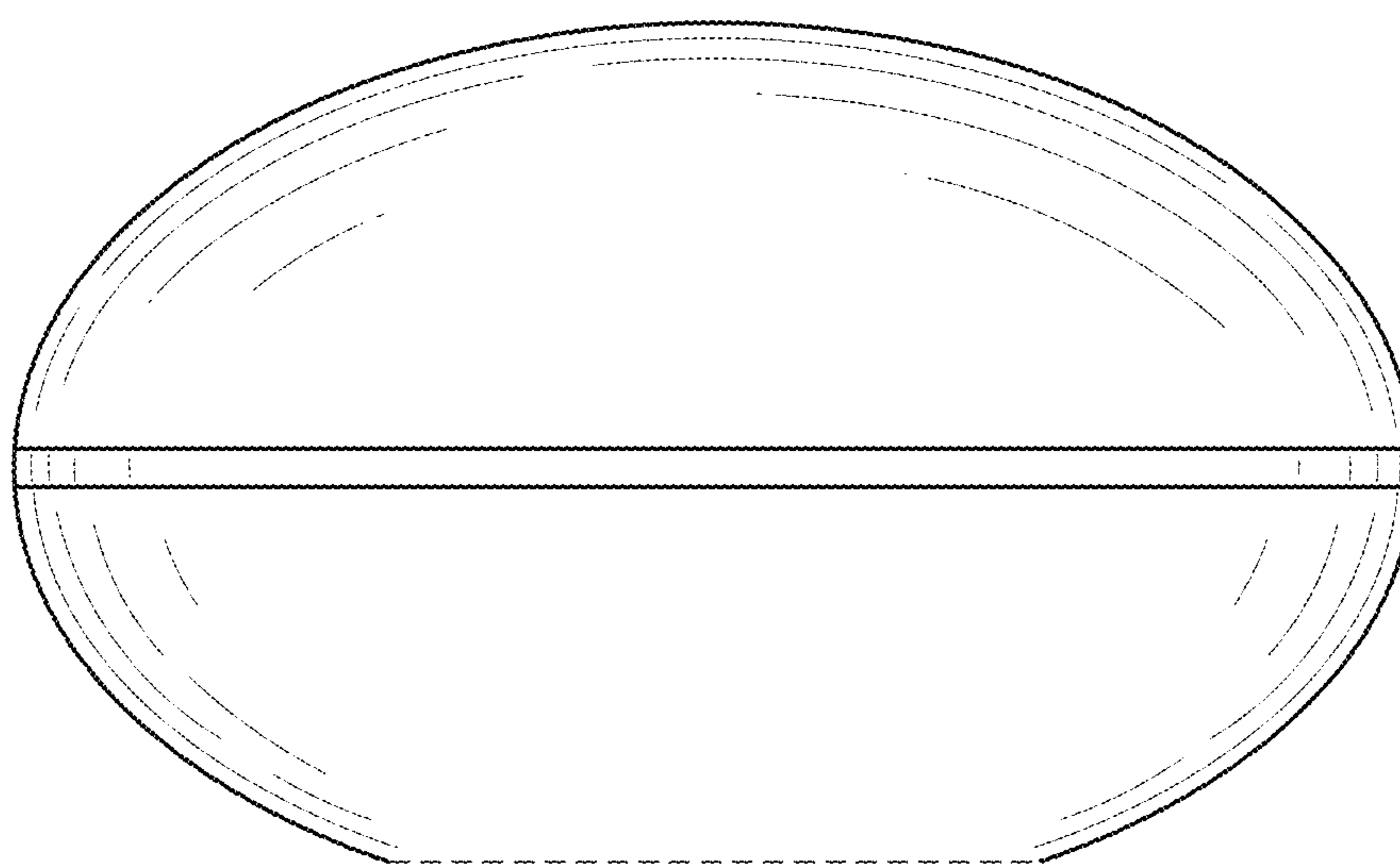


FIG. 11

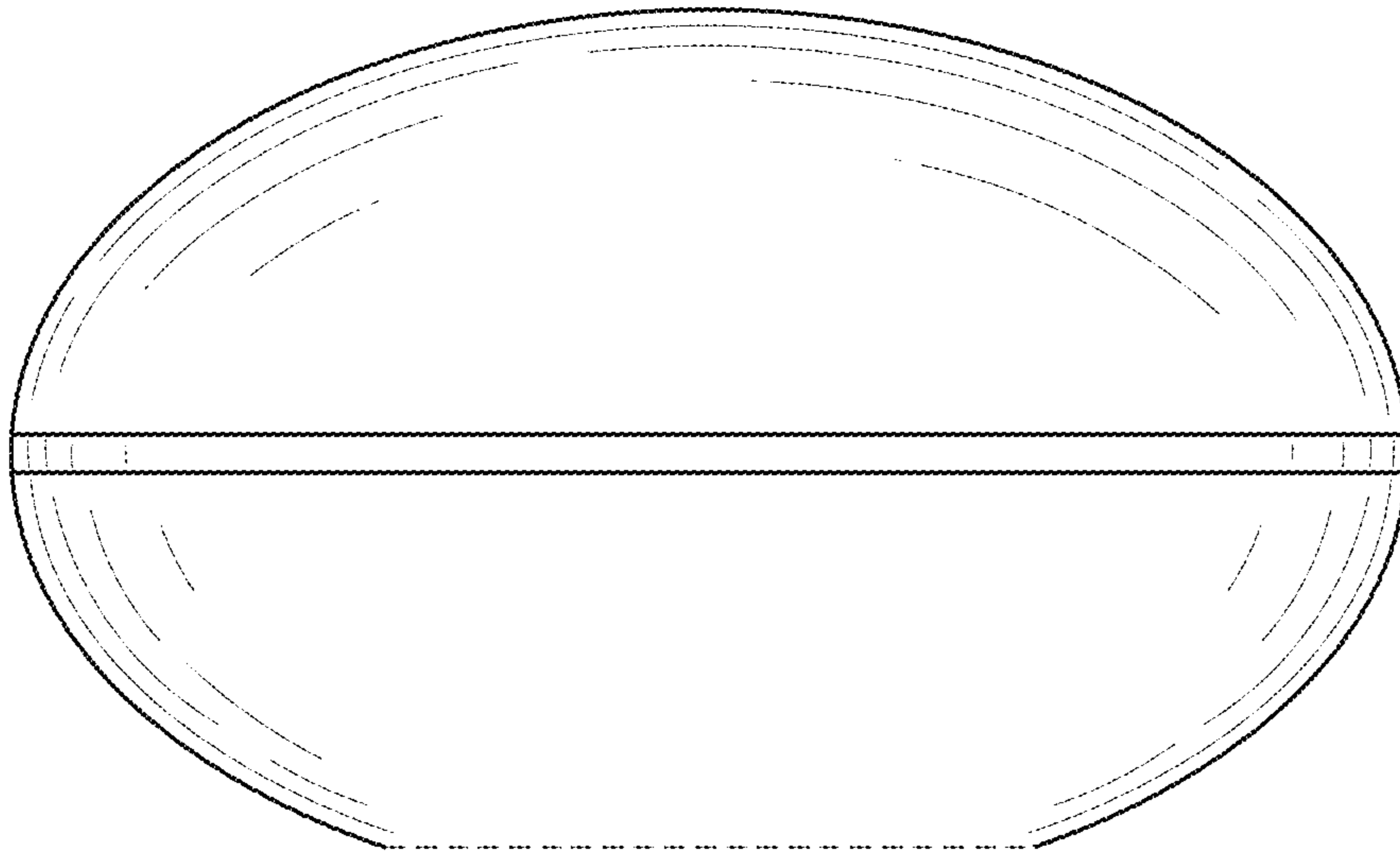


FIG. 12

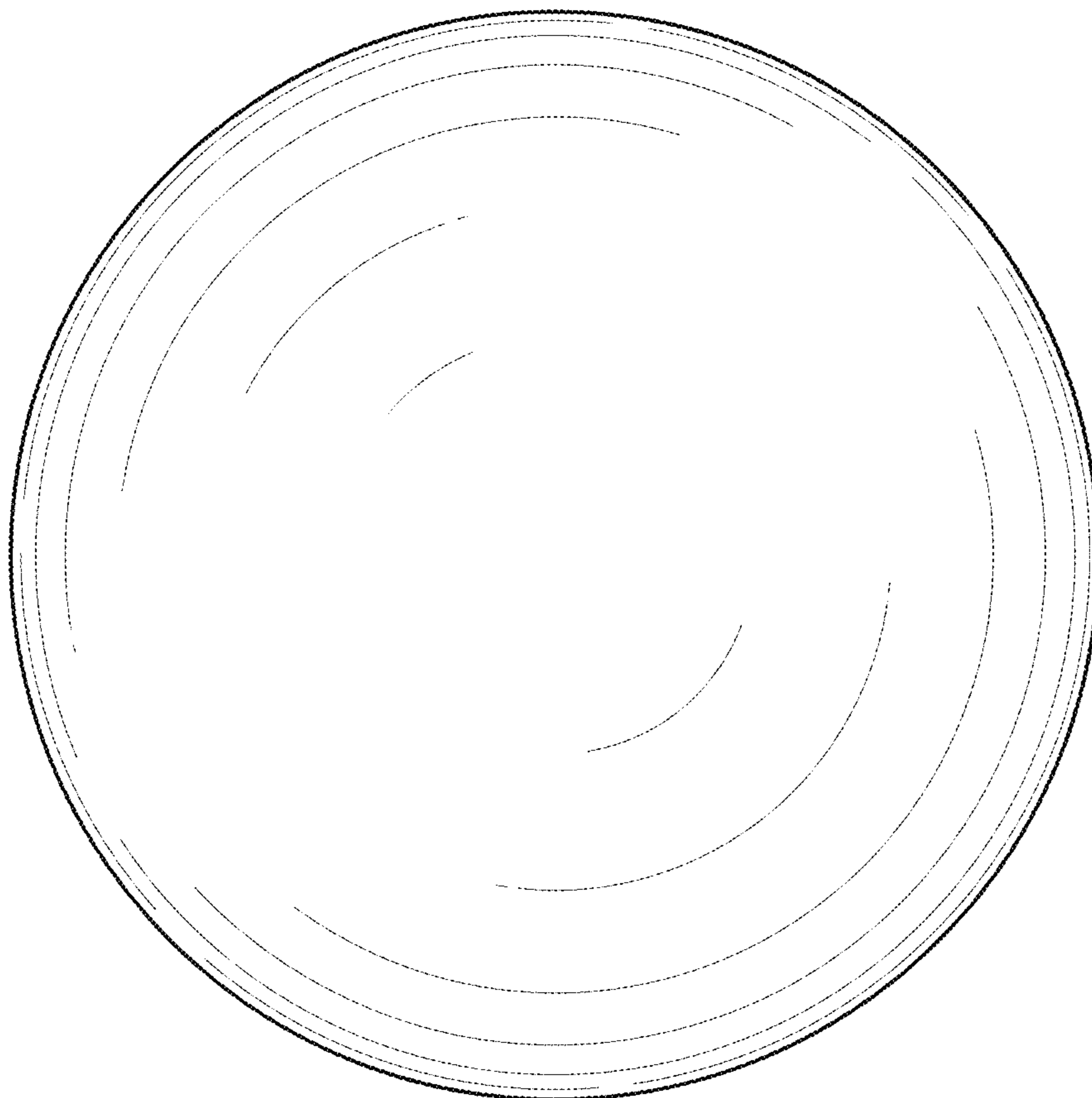


FIG. 13

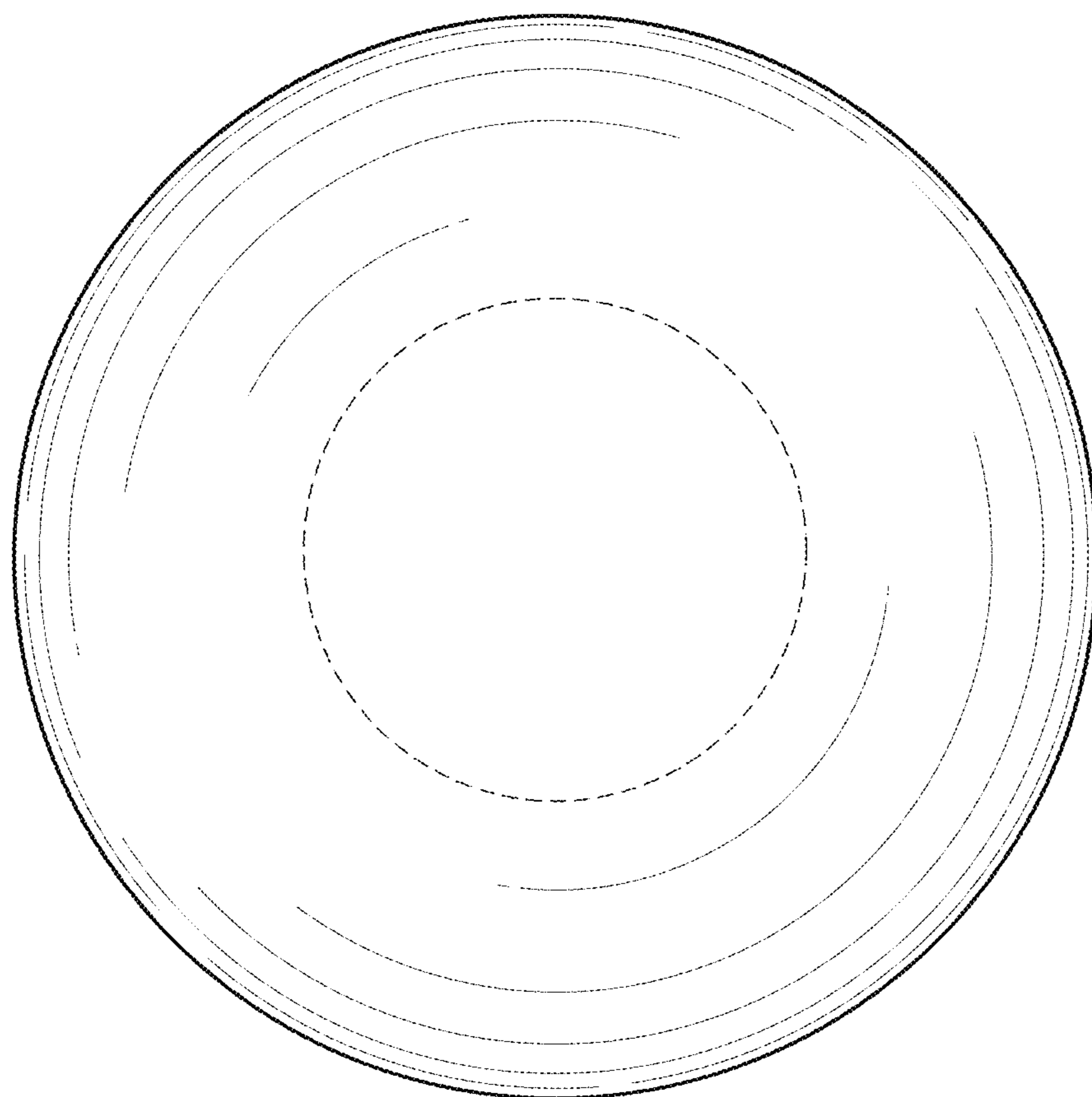


FIG. 14