



US00D806710S

(12) **United States Design Patent**  
**Chen et al.**

(10) **Patent No.:** **US D806,710 S**  
(45) **Date of Patent:** **\*\* Jan. 2, 2018**

- (54) **DISPLAY DEVICE**
- (71) Applicant: **Quanta Computer Inc.**, Taoyuan (TW)
- (72) Inventors: **Jyun-Jie Chen**, Taoyuan (TW);  
**Shih-Yun Lee**, Taoyuan (TW);  
**Gwo-Chyuan Chen**, Taoyuan (TW)
- (73) Assignee: **QUANTA COMPUTER INC.**,  
Guishan Dist., Taoyuan (TW)
- (\*\*) Term: **15 Years**
- (21) Appl. No.: **29/594,126**
- (22) Filed: **Feb. 15, 2017**

D704,706 S *	5/2014	Serota .....	D14/372
D719,953 S *	12/2014	Nokuo .....	D14/372
D740,815 S *	10/2015	Bosveld .....	D14/372
D753,112 S *	4/2016	Fei .....	D14/372
D764,467 S *	8/2016	Nokuo .....	D14/372
D776,110 S *	1/2017	Gribetz .....	D14/372
D778,909 S *	2/2017	Nokuo .....	D14/372
D785,619 S *	5/2017	Su .....	D14/372
D791,129 S *	7/2017	Sullivan .....	D14/372
D792,399 S *	7/2017	Thomas .....	D14/372
D795,867 S *	8/2017	Huang .....	D14/372
D796,507 S *	9/2017	Chen .....	D14/372
D798,298 S *	9/2017	Haber .....	D14/372
D798,862 S *	10/2017	Wang .....	D14/372
D800,117 S *	10/2017	Yee .....	D14/372
D800,726 S *	10/2017	Su .....	D14/372
D800,727 S *	10/2017	Mullins .....	D14/372

\* cited by examiner

(30) **Foreign Application Priority Data**

Dec. 29, 2016 (TW) ..... 105308007

(51) **LOC (11) Cl.** ..... **14-02**

(52) **U.S. Cl.**  
USPC ..... **D14/372**

(58) **Field of Classification Search**  
USPC ..... D14/372, 496, 432, 371, 125, 126, 129,  
D14/299; D16/300-342; 351/158, 153,  
351/144; 345/7-9, 905; 455/344;  
348/115, 53, 121, 739  
CPC ..... G02B 27/017; G02B 27/0158; G02B  
27/0161; G02B 27/0181; G02B 27/0185;  
G02B 27/0189

See application file for complete search history.

(56) **References Cited**

**U.S. PATENT DOCUMENTS**

D440,967 S \* 4/2001 Jung ..... D14/372  
D695,738 S \* 12/2013 Kumagai ..... D14/372

*Primary Examiner* — Austin Murphy

(74) *Attorney, Agent, or Firm* — McClure, Qualey &  
Rodack, LLP

(57) **CLAIM**

The design for display device, is as shown and described.

**DESCRIPTION**

FIG. 1 is a perspective view of a display device, such as a head mounted display, a virtual reality display, an augmented reality display or a mixed reality display, in accordance with our new design;

FIG. 2 is a front view thereof;

FIG. 3 is a rear view thereof;

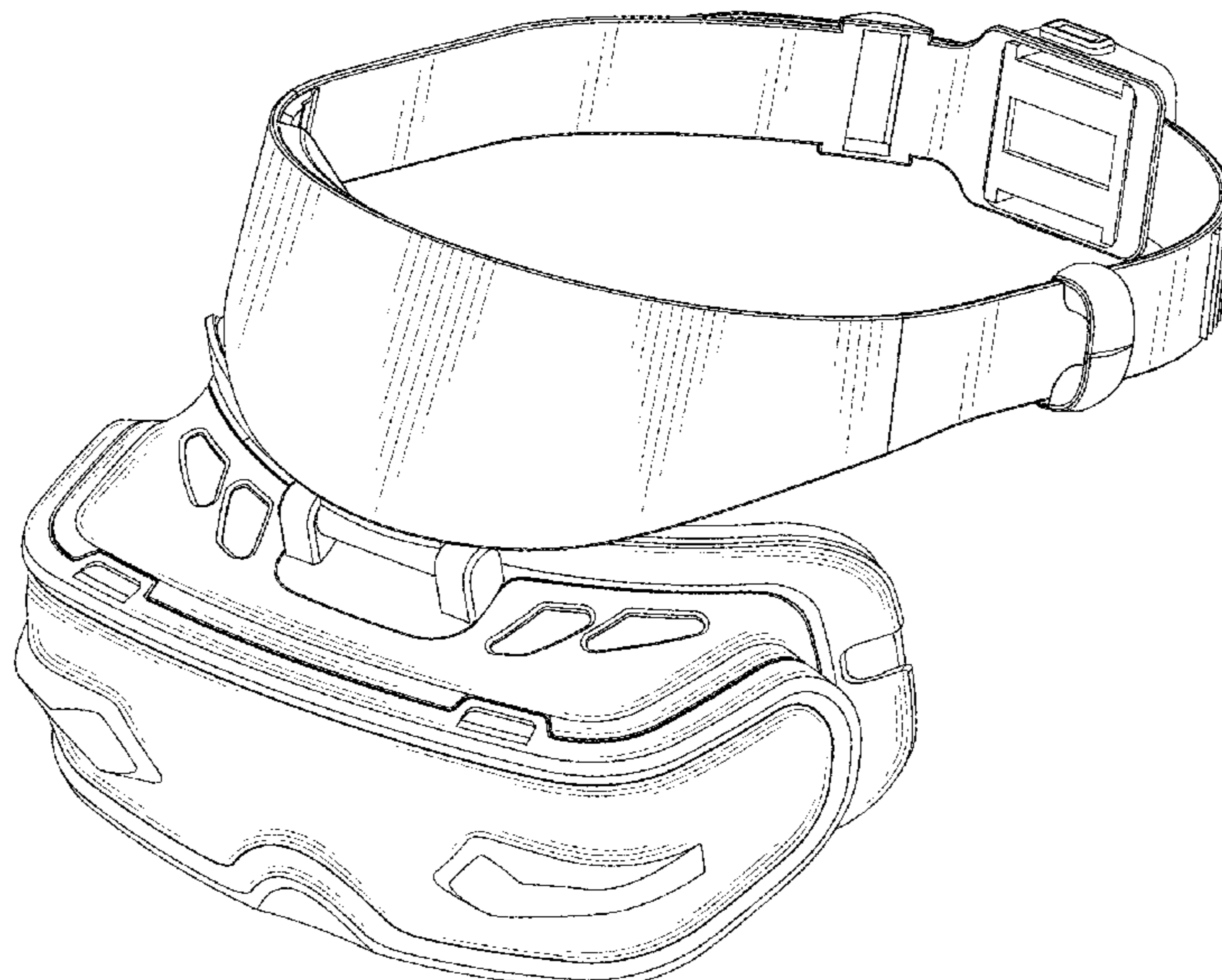
FIG. 4 is a left side view thereof;

FIG. 5 is a right side view thereof;

FIG. 6 is a top view thereof; and,

FIG. 7 is a bottom view thereof.

**1 Claim, 7 Drawing Sheets**



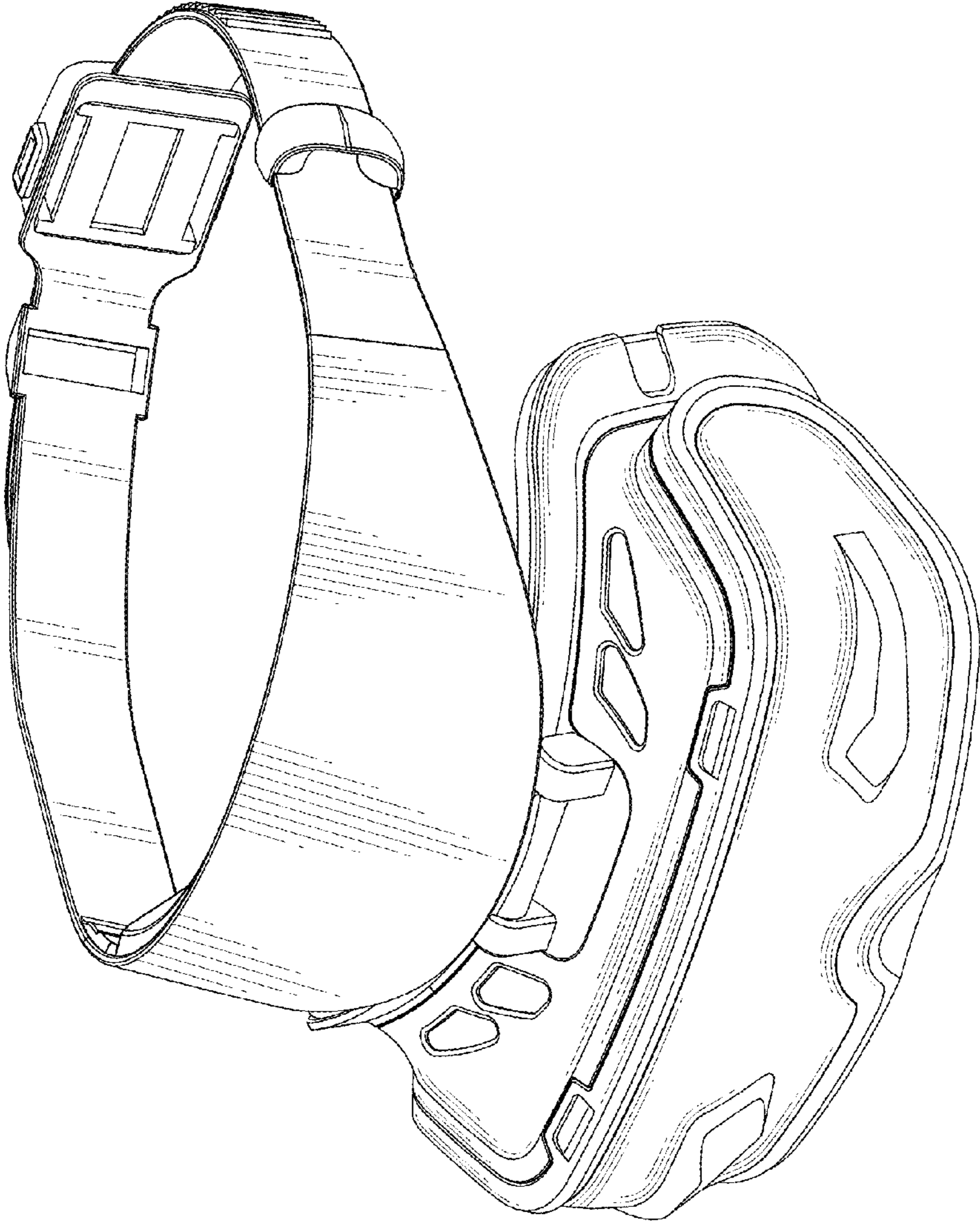


FIG. 1

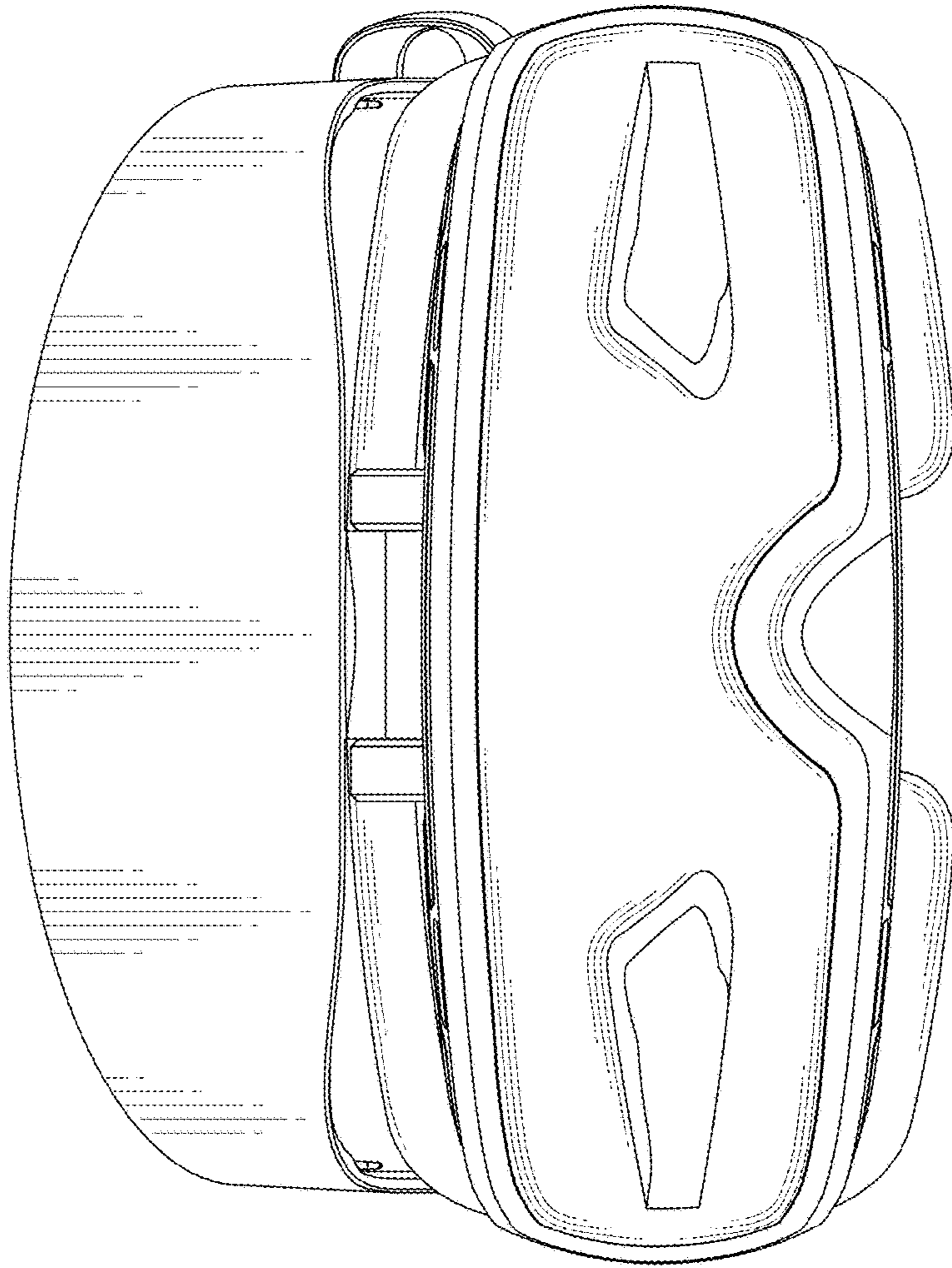


FIG. 2

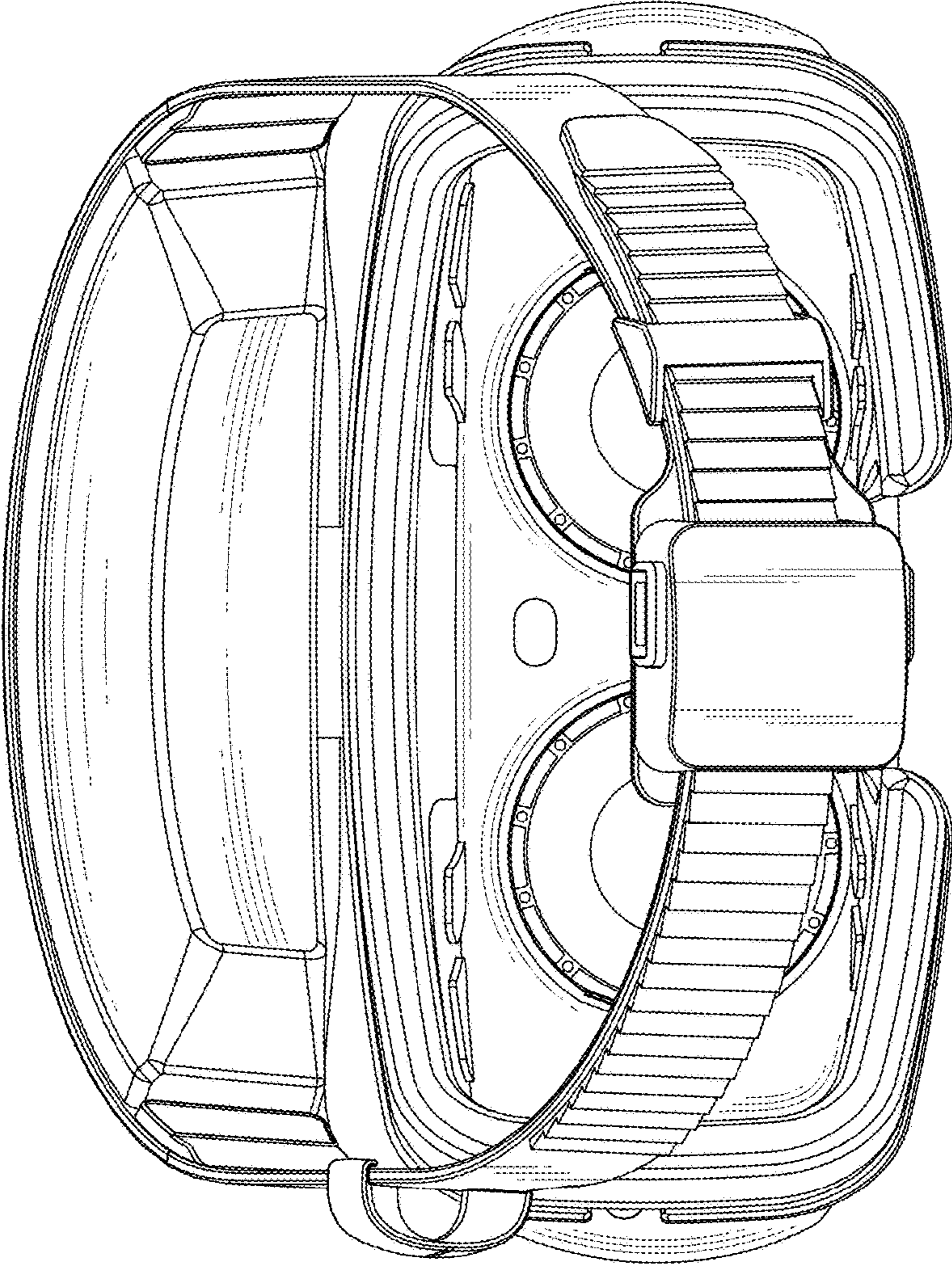


FIG. 3

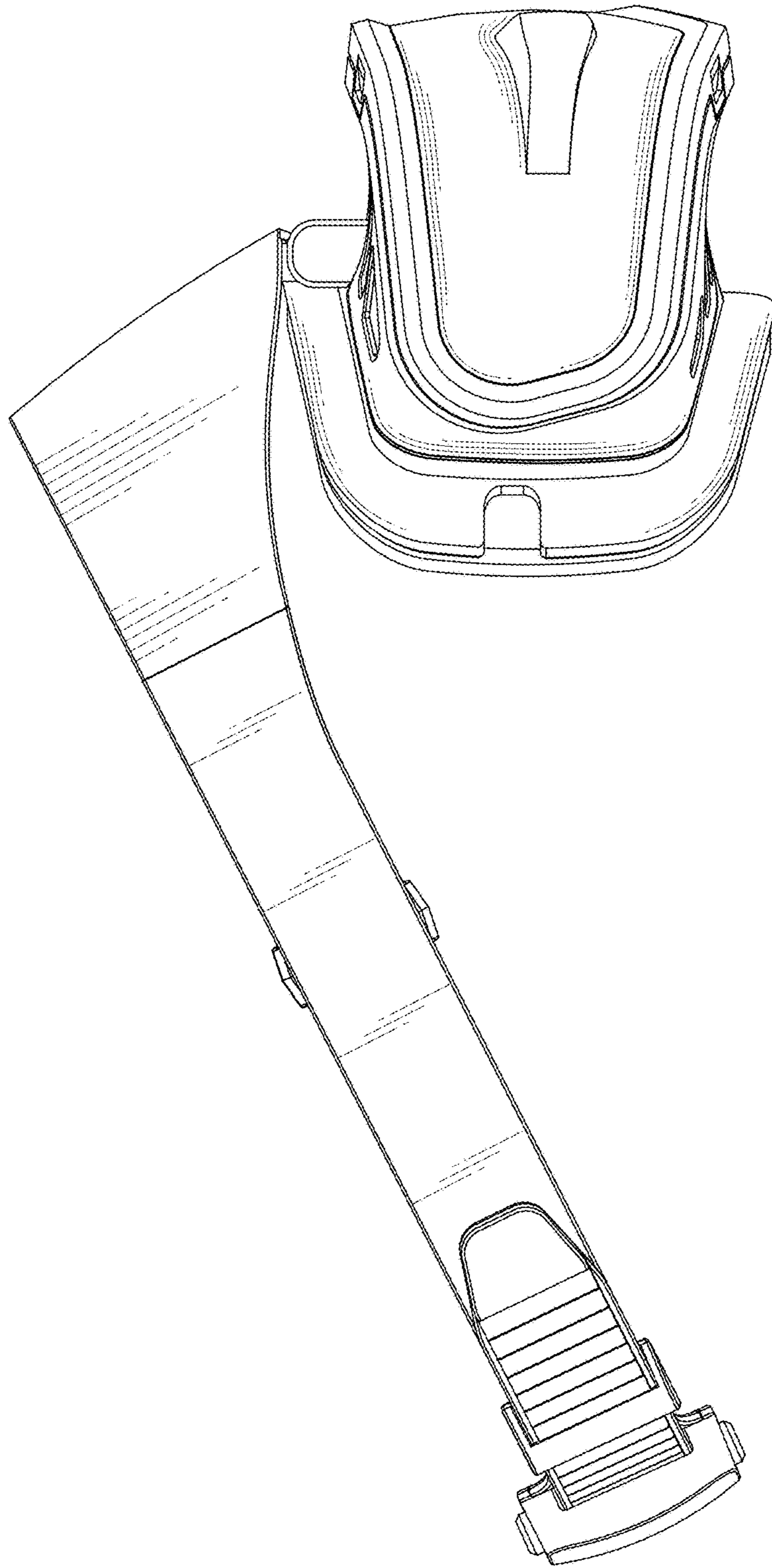


FIG. 4

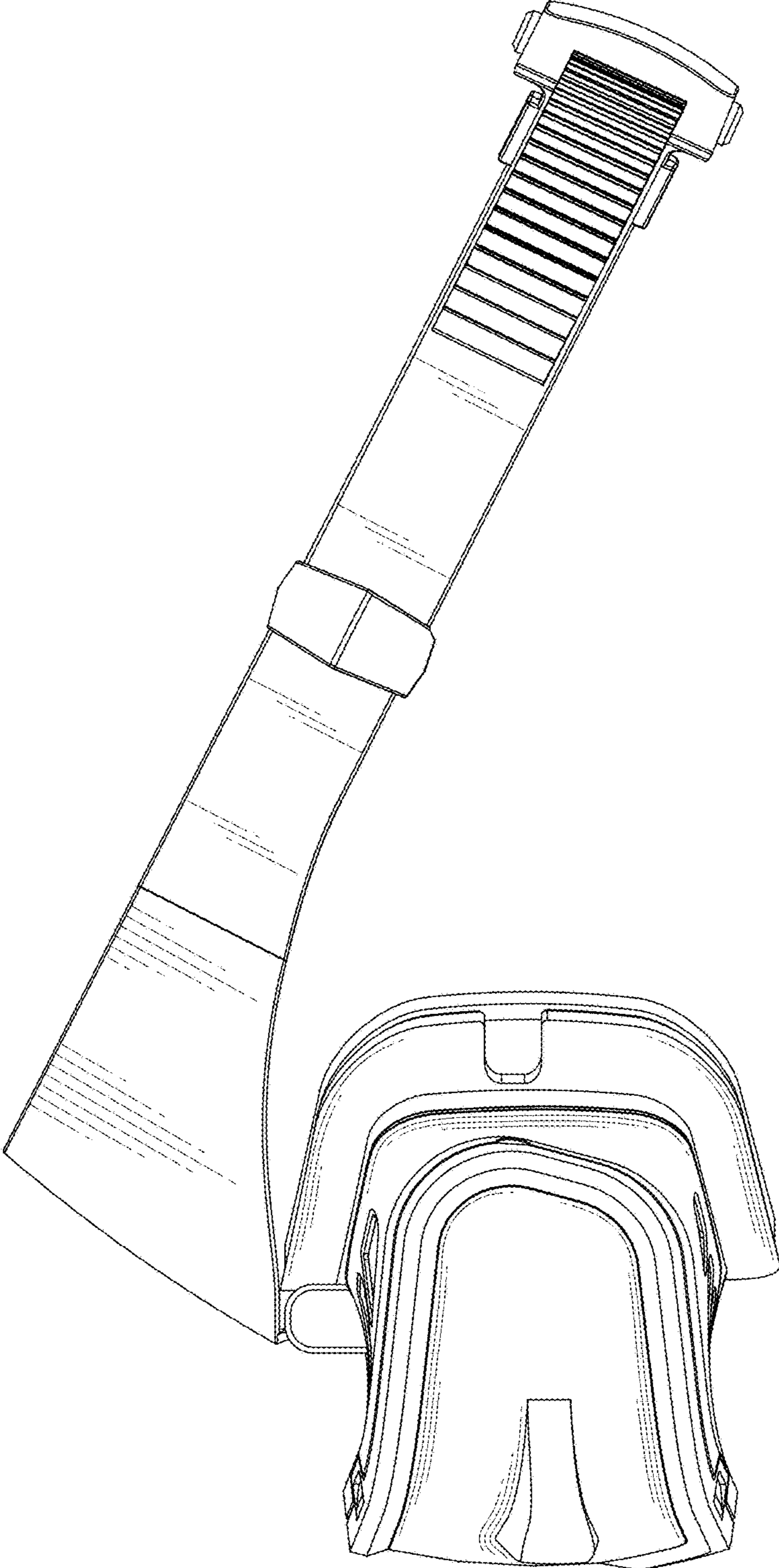


FIG. 5

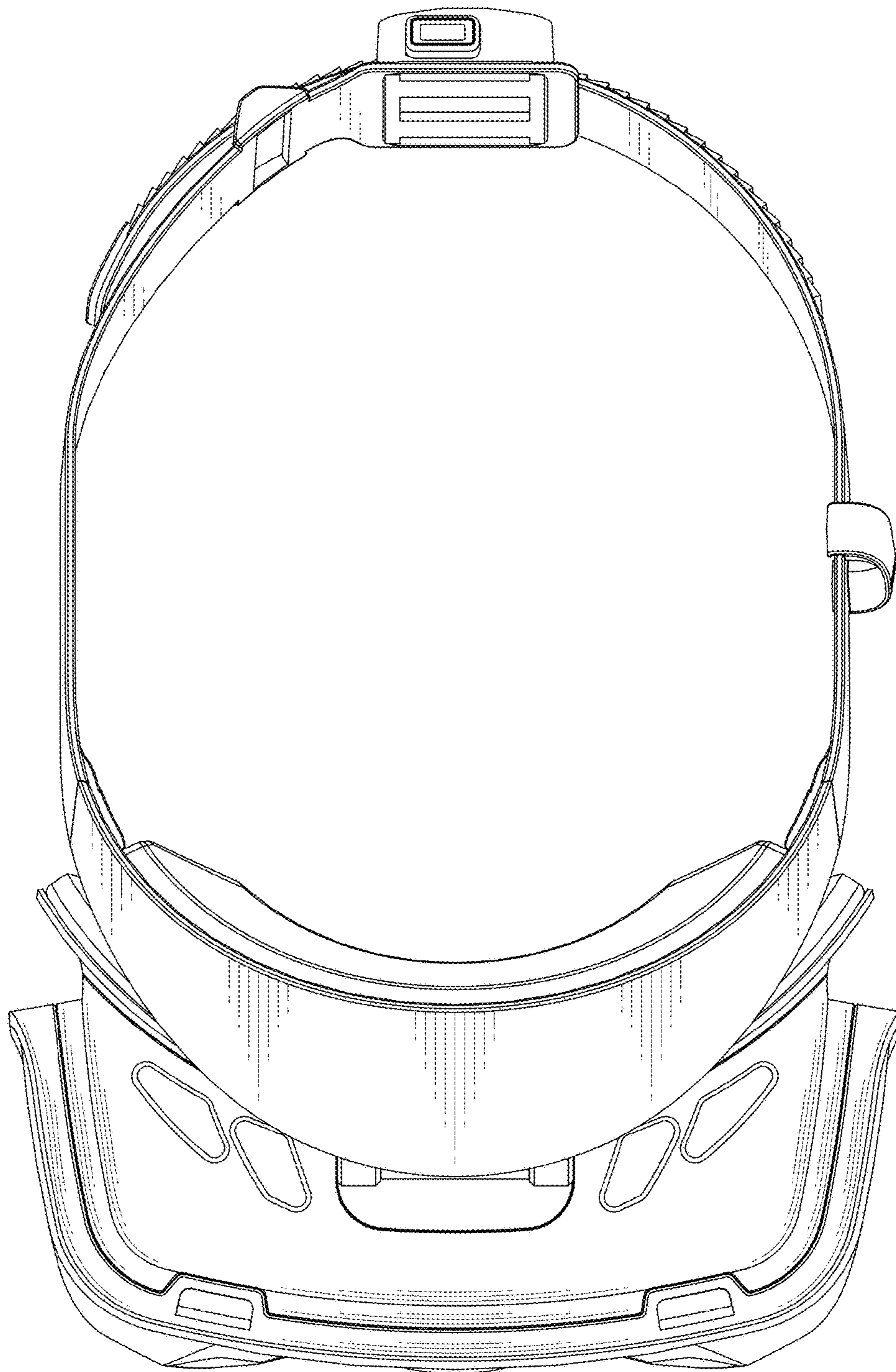


FIG. 6

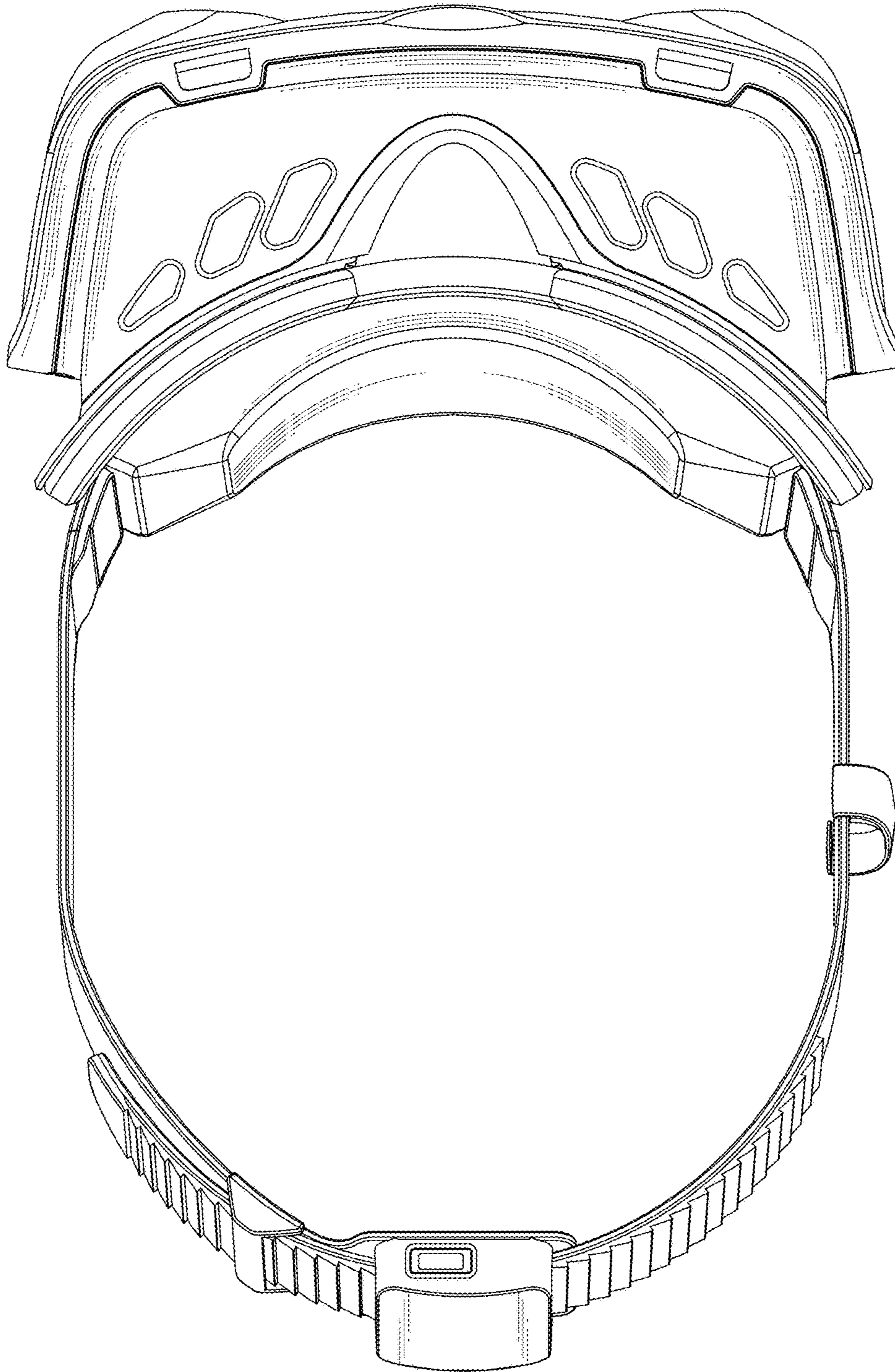


FIG. 7