



US00D806709S

(12) **United States Design Patent**
Gummalla et al.

(10) **Patent No.:** **US D806,709 S**
(45) **Date of Patent:** **** Jan. 2, 2018**

- (54) **ELECTRONIC DEVICE**
- (71) Applicant: **Google Inc.**, Mountain View, CA (US)
- (72) Inventors: **Ajay Chandra Gummalla**, Sunnyvale, CA (US); **Yau-Shing Lee**, Sunnyvale, CA (US); **Jun Hou**, Shanghai (CN); **Patanjali Peri**, Fremont, CA (US); **Dieter Statezni**, Cupertino, CA (US)
- (73) Assignee: **Google LLC**, Mountain View, CA (US)
- (**) Term: **15 Years**
- (21) Appl. No.: **29/590,558**
- (22) Filed: **Jan. 11, 2017**
- (51) **LOC (11) Cl.** **14-02**
- (52) **U.S. Cl.**
USPC **D14/358**; D14/240
- (58) **Field of Classification Search**
USPC ... 6/356, 357, 358, 361, 362, 365, 367, 370, 6/388, 432, 434, 203.1, 203.6, 204, 205, 6/216, 240, 242, 299, 125, 129, 130, 140, 6/155, 168, 188, 195, 300, 302, 314, 348, 6/351, 496; D13/103, 107, 108, 123, D13/162, 162.1, 163, 168, 184, 199; D10/4.1, 106.6, 116.1, 61, 64, 75
CPC ... H04W 88/08; H04W 88/085; H04W 88/00; H04W 88/005; H04W 88/02; H04W 88/12; H04W 88/14; H04W 88/16; H04W 88/18; H04W 4/00; H01Q 1/02; H01Q 1/2291; H01Q 1/246; H04B 1/38
See application file for complete search history.

- D391,944 S * 3/1998 Han D14/356
- D543,458 S * 5/2007 Dittmer D9/504
- D558,208 S * 12/2007 Ikeda D14/434
- D558,209 S * 12/2007 Ikeda D14/434
- D581,927 S 12/2008 Sumii
- D590,391 S 4/2009 Sumii
- D591,269 S 4/2009 Kim et al.

(Continued)

OTHER PUBLICATIONS

Huddle—The New Wi-Fi. youtube.com. [online video] 1 pg. Uploaded Aug. 1, 2016 [retrieved on May 3, 2017] <https://www.youtube.com/watch?v=Q8DacvXppv4>.*

(Continued)

Primary Examiner — Susan Bennett Hattan
Assistant Examiner — Marie D. Fast Horse
(74) *Attorney, Agent, or Firm* — Finnegan, Henderson, Farabow, Garrett & Dunner LLP

(57) **CLAIM**

The ornamental design for an electronic device, as shown and described.

DESCRIPTION

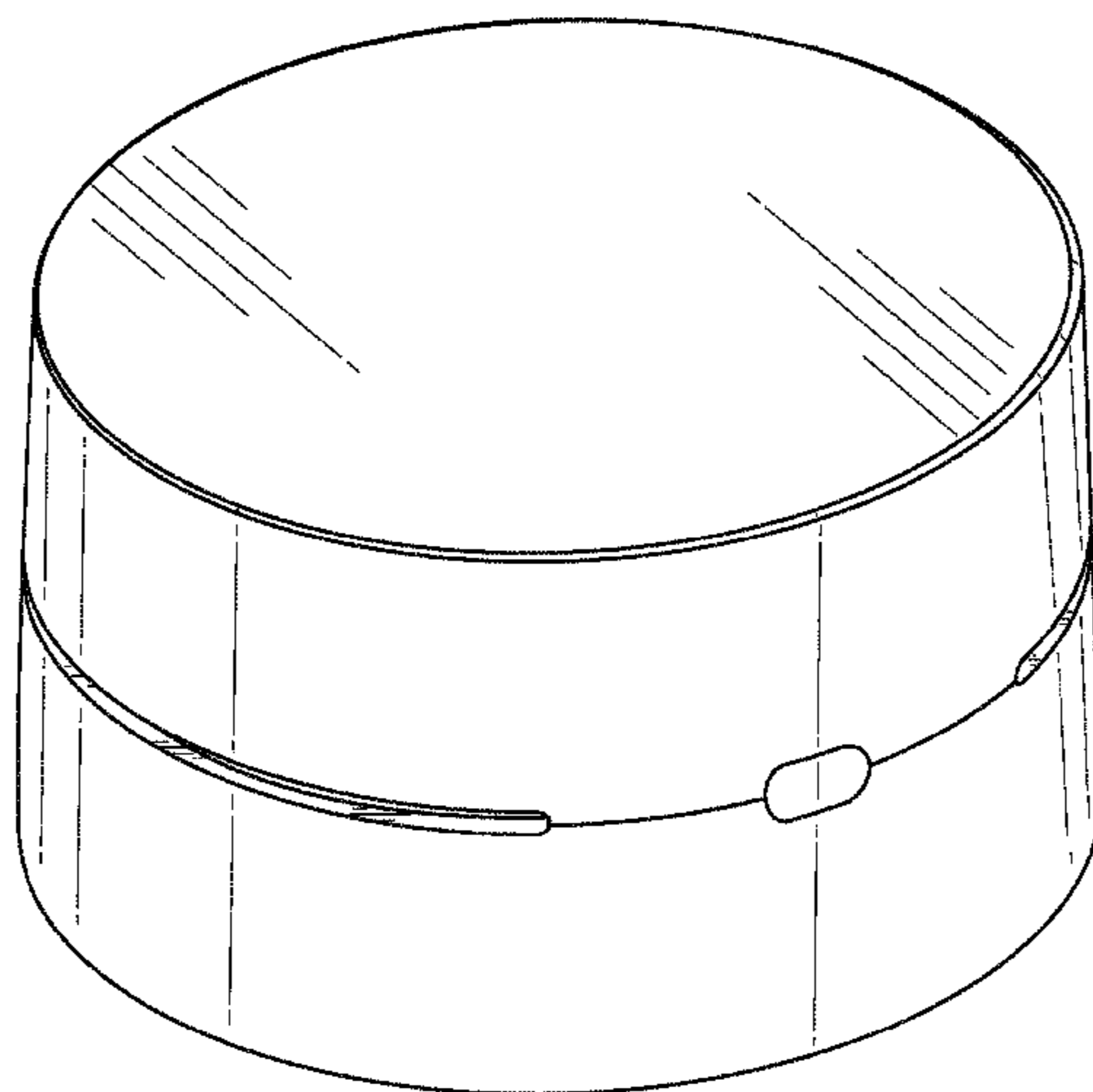
FIG. 1 is a top, rear, right side perspective view of an electronic device, showing our new design; FIG. 2 is a bottom, rear, right side perspective view thereof; FIG. 3 is a bottom, rear, left side perspective view thereof; FIG. 4 is a top plan view thereof; FIG. 5 is a bottom plan view thereof; FIG. 6 is a left side view thereof; FIG. 7 is a front elevation view thereof; FIG. 8 is a rear elevation view thereof; and, FIG. 9 is a right side view thereof. The portions in broken lines of even length depict portions of the electronic device that form no part of the claimed design.

1 Claim, 9 Drawing Sheets

(56) **References Cited**

U.S. PATENT DOCUMENTS

- D192,637 S * 4/1962 Judson D14/243
- D331,927 S * 12/1992 Birri D14/155
- D368,092 S * 3/1996 Nottingham D14/188
- D391,943 S * 3/1998 Han D14/356



(56)

References Cited

U.S. PATENT DOCUMENTS

D593,882 S * 6/2009 Scalisi D10/65
 D598,018 S 8/2009 Sumii
 D598,020 S 8/2009 Lu et al.
 D600,694 S 9/2009 Sumii
 D619,912 S * 7/2010 Scalisi D10/65
 D620,884 S * 8/2010 Lee D13/108
 D625,295 S * 10/2010 Nogueira D14/218
 D626,523 S * 11/2010 Mallory D13/180
 D656,486 S * 3/2012 Parraga Gimeno D14/216
 D658,640 S 5/2012 Ivaskevicius
 D661,213 S * 6/2012 Hojmose D10/106.2
 D683,251 S * 5/2013 Dumas D10/104.2
 D691,587 S * 10/2013 Ferber D14/216
 D694,182 S 11/2013 Lee et al.
 D694,740 S * 12/2013 Apostolakis D14/240
 D695,258 S * 12/2013 Hauser D14/155
 D695,713 S * 12/2013 Szymanski D14/216
 D697,027 S * 1/2014 Ho D13/108
 D702,146 S 4/2014 Giovanni
 D703,237 S * 4/2014 Choi D14/502
 D711,345 S 8/2014 Liu
 D713,405 S 9/2014 Akana et al.
 D714,248 S * 9/2014 Chang D14/140
 D719,146 S * 12/2014 Herbst D14/253
 D719,715 S 12/2014 Kesselman
 D726,161 S 4/2015 Howard et al.
 D729,773 S 5/2015 Salojärvi et al.
 D733,107 S * 6/2015 Porter D14/240
 D736,312 S 8/2015 Elbaum et al.
 D738,870 S 9/2015 Ding et al.
 D740,262 S * 10/2015 Hasegawa D14/240
 D743,954 S 11/2015 Chuang et al.
 D746,166 S 12/2015 Li
 D747,229 S 1/2016 Perez
 D751,052 S * 3/2016 Jones D14/203.6
 D751,538 S * 3/2016 Koehler D14/240
 D752,566 S * 3/2016 Hinman D14/242
 D756,956 S 5/2016 Van Den Nieuwenhuizen et al.

D756,957 S * 5/2016 Nylen D14/204
 D757,014 S 5/2016 Hahn et al.
 D757,587 S 5/2016 Li
 D760,221 S * 6/2016 Maruyama D14/357
 D763,210 S * 8/2016 Park D14/125
 D766,844 S 9/2016 Turksu et al.
 D769,836 S * 10/2016 Axelsson D14/125
 D772,813 S * 11/2016 Wahl D13/108
 D774,009 S * 12/2016 Hammarstedt D14/125
 D774,455 S * 12/2016 Kim D13/108
 D781,798 S * 3/2017 Klepper D14/125
 D785,608 S * 5/2017 Weaver D14/240
 2014/0233613 A1 * 8/2014 Fink H04W 24/02
 375/219
 2015/0296050 A1 * 10/2015 Bomkamp H04L 67/12
 709/217
 2016/0223638 A1 * 8/2016 Kravets G01S 5/04
 2016/0329641 A1 * 11/2016 Lee H01Q 15/14
 2016/0330107 A1 * 11/2016 Thubert H04L 45/22
 2017/0118677 A1 * 4/2017 Axelsson H04W 28/08

OTHER PUBLICATIONS

Eero is the home WiFi solution I've been waiting for. engadget.com [online] 17 pgs. Posted Feb. 23, 2016 [retrieved on May 3, 2017] <https://www.engadget.com/2016/02/23/eero-is-the-home-wifi-solution-ive-been-waiting-for/>.
 Google WiFi AC1200 Dual-Band Whole Home Wi-Fi System. staples.com. [online] 4 pgs. Verified Purchase:Jan. 5, 2017 [retrieved on May 2, 2017] http://www.staples.com/Google-Wifi-System-single-Wifi-point/product_2502708?cid=PS:GooglePLAs:2502708&ci_src=17588969&ci_sku=2502708&KPID=2502708&cvsr=PLA.google-SALES.Networking%20%26%20WiFi&cvo_crid=39357182022&cvo_campaign=173960142&gclid=CLCd76XoodMCFdKCswod-doMFw##productInfo.
 Copending Design U.S. Appl. No. 29/590,561 for "Electronic Device", filed Jan. 11, 2017 (11 pages).

* cited by examiner

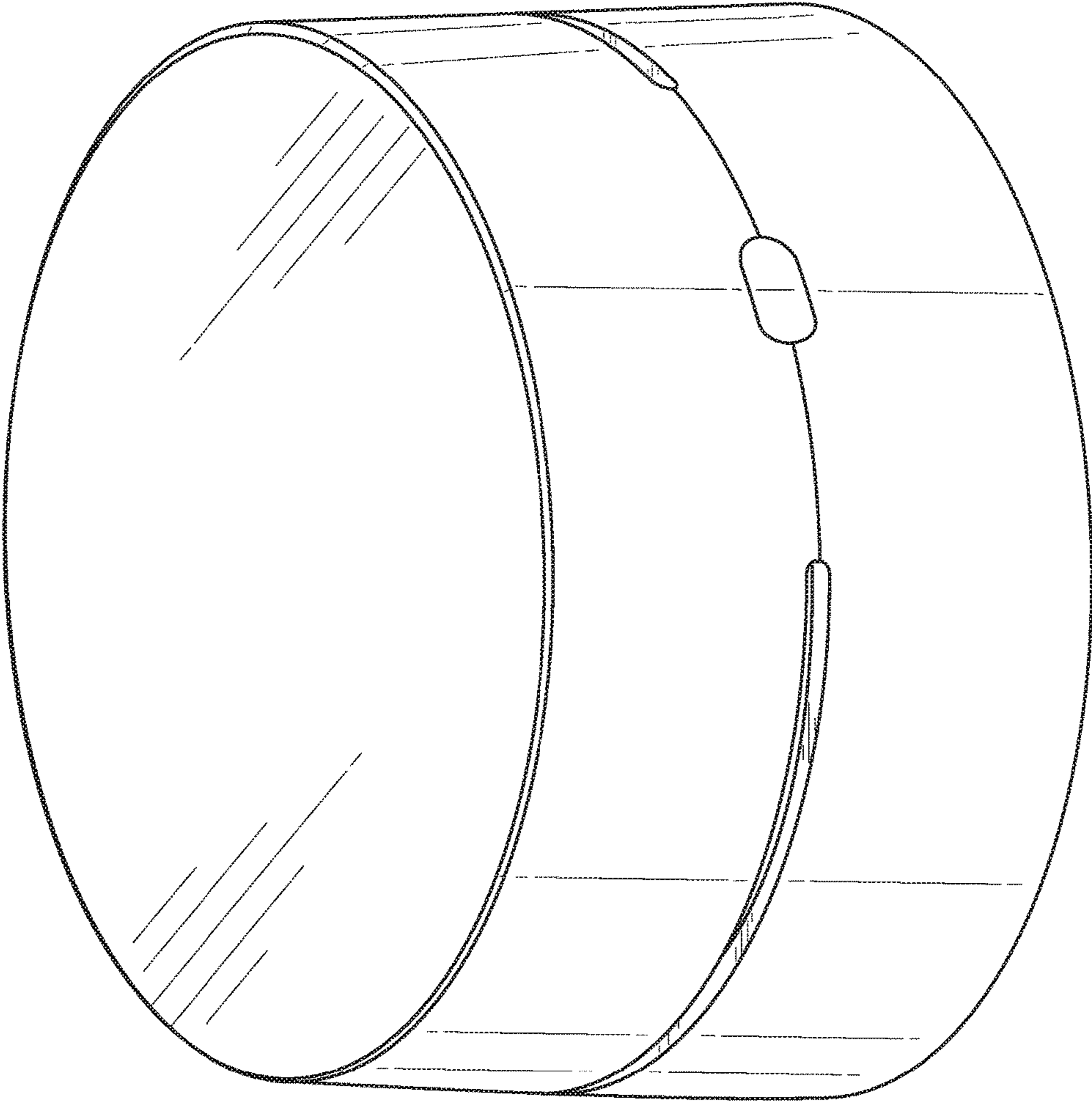


FIG. 1

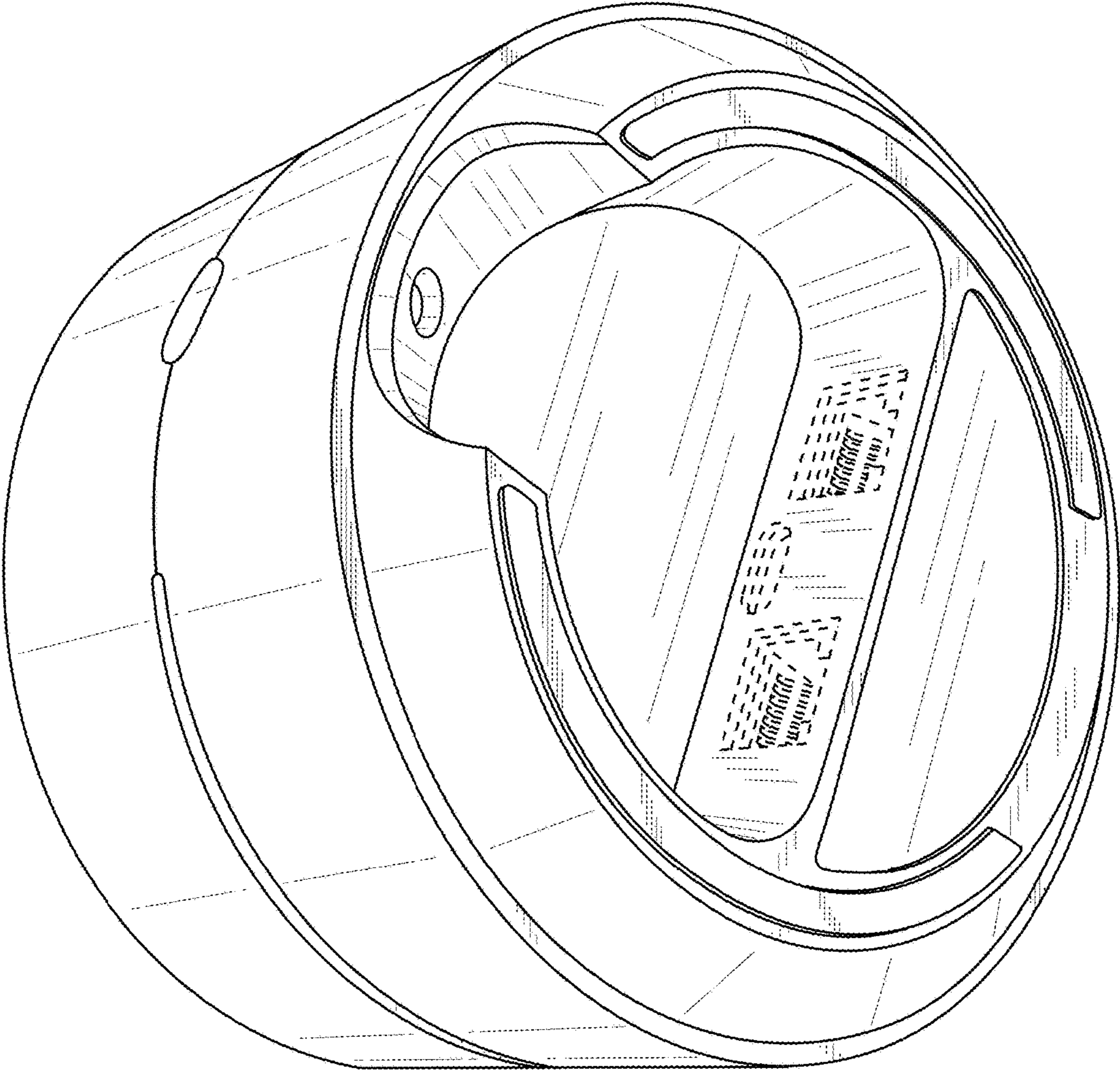
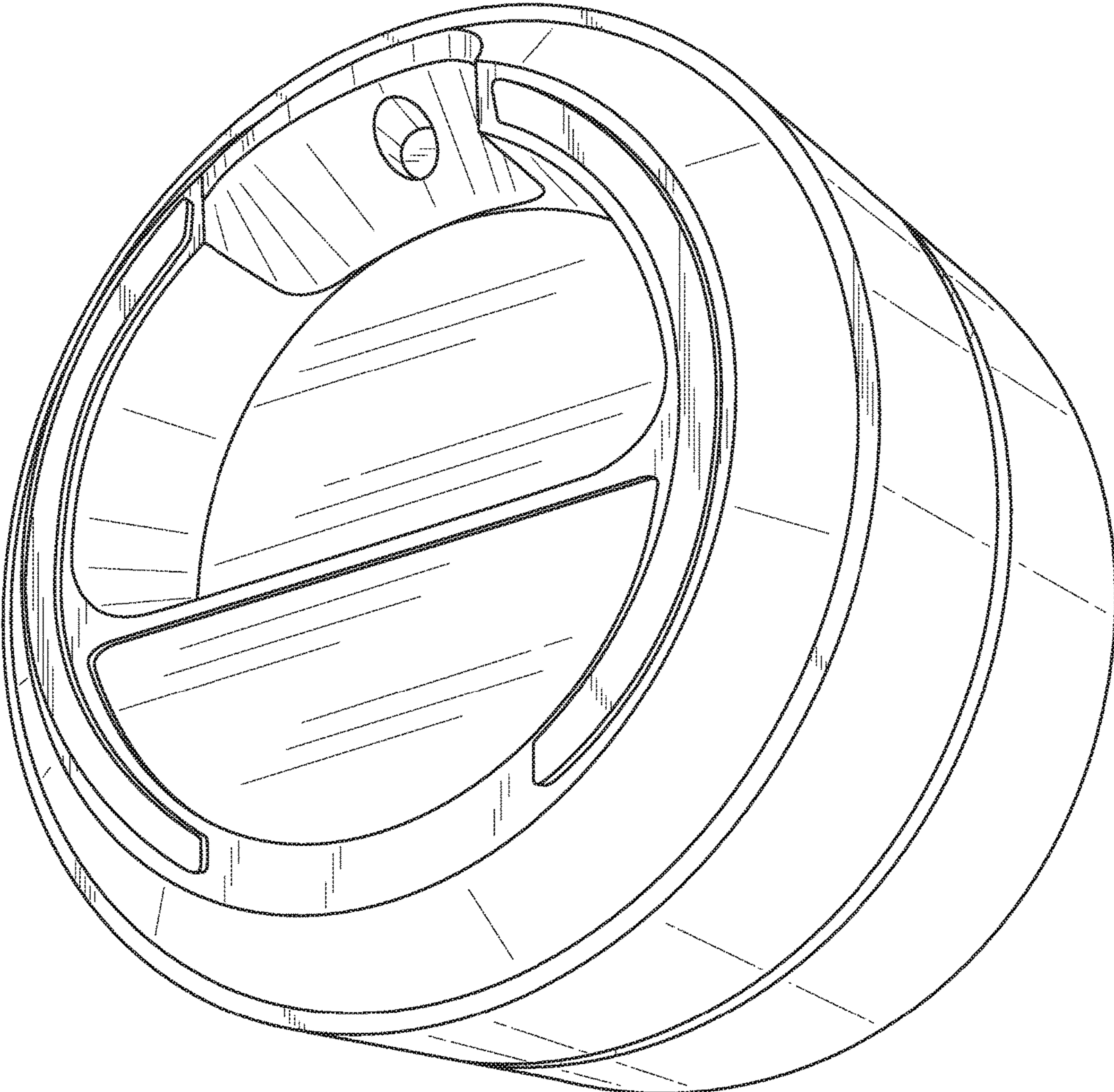


FIG. 2

FIG. 3



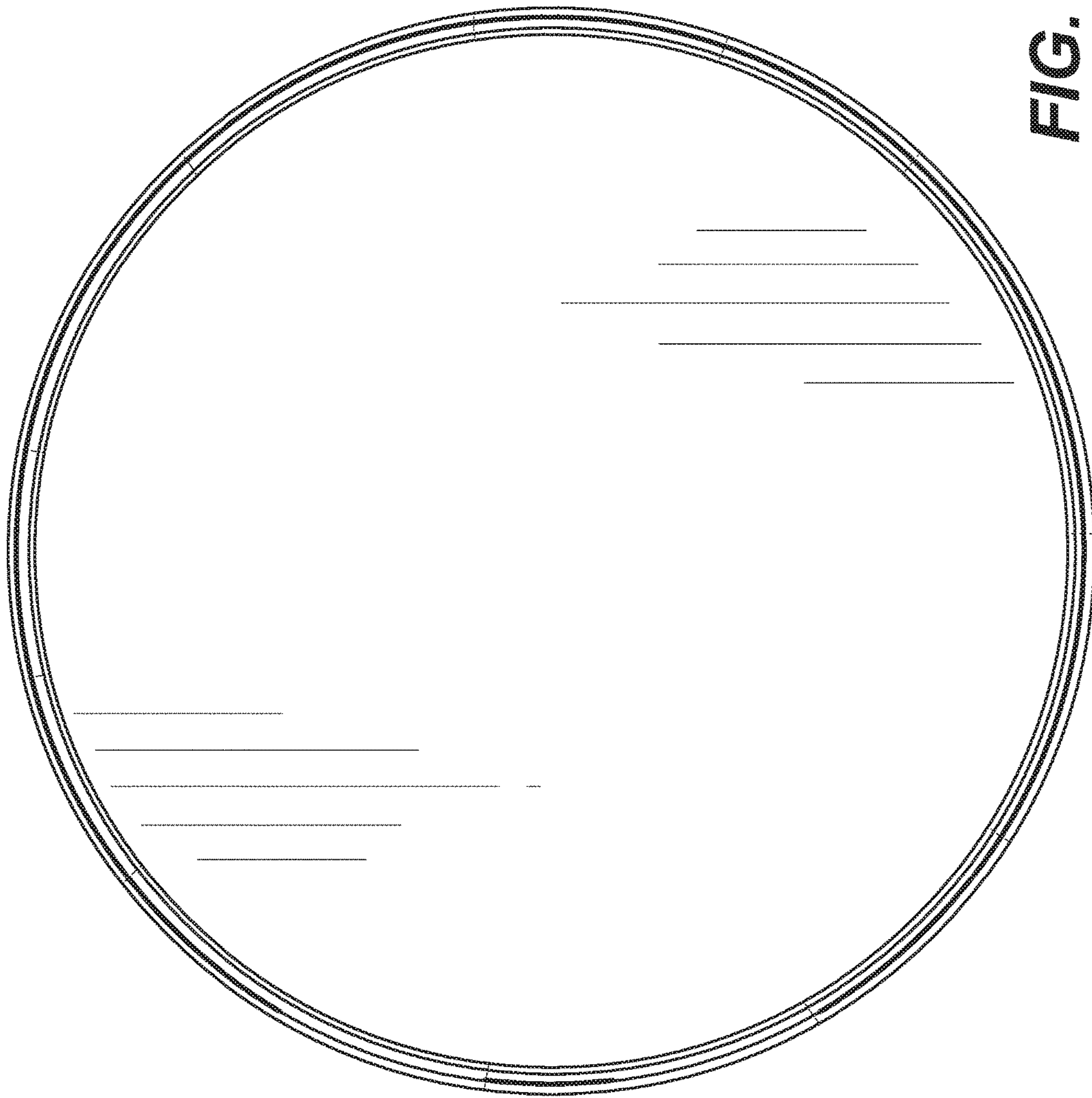


FIG. 4

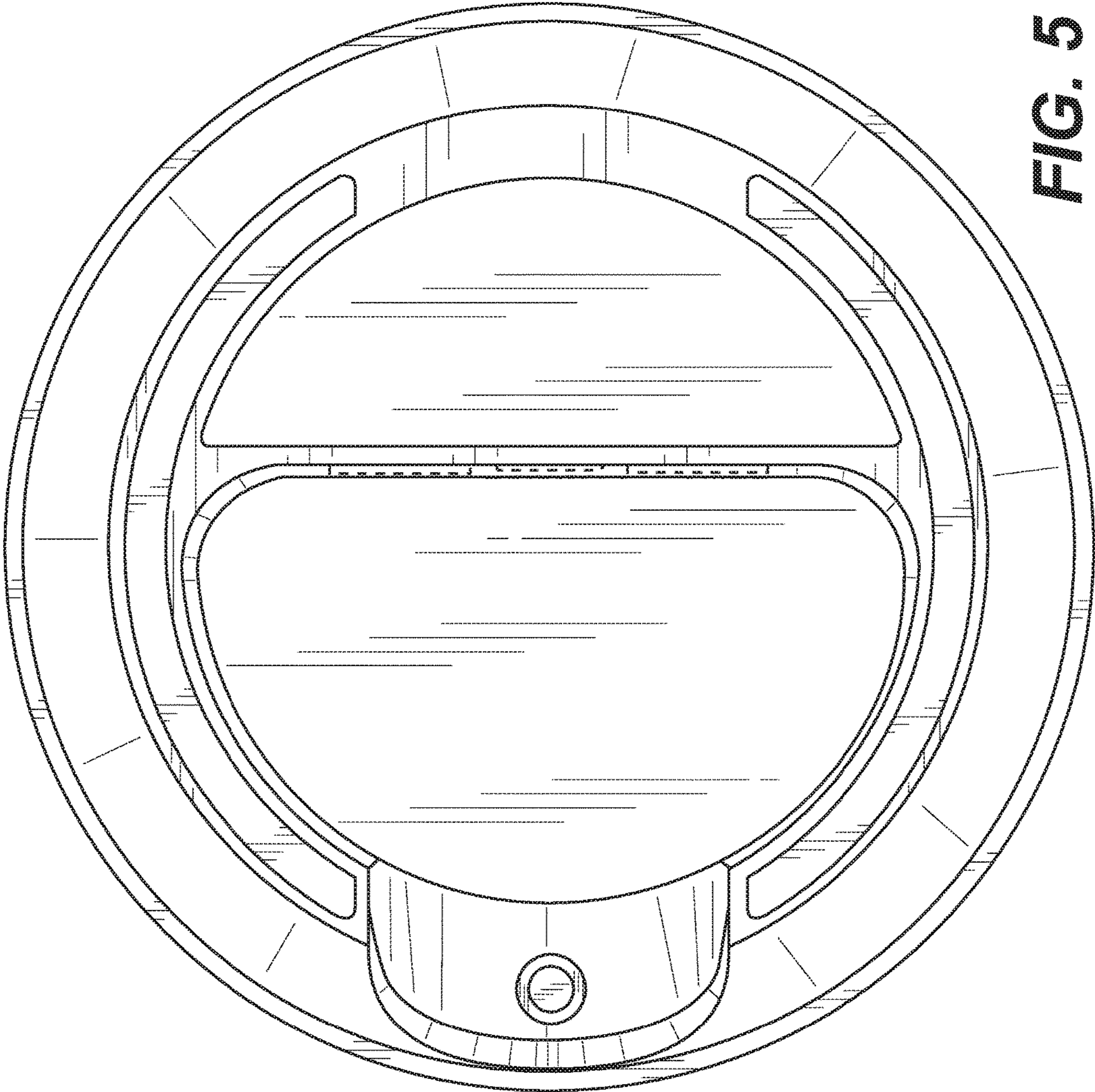


FIG. 5

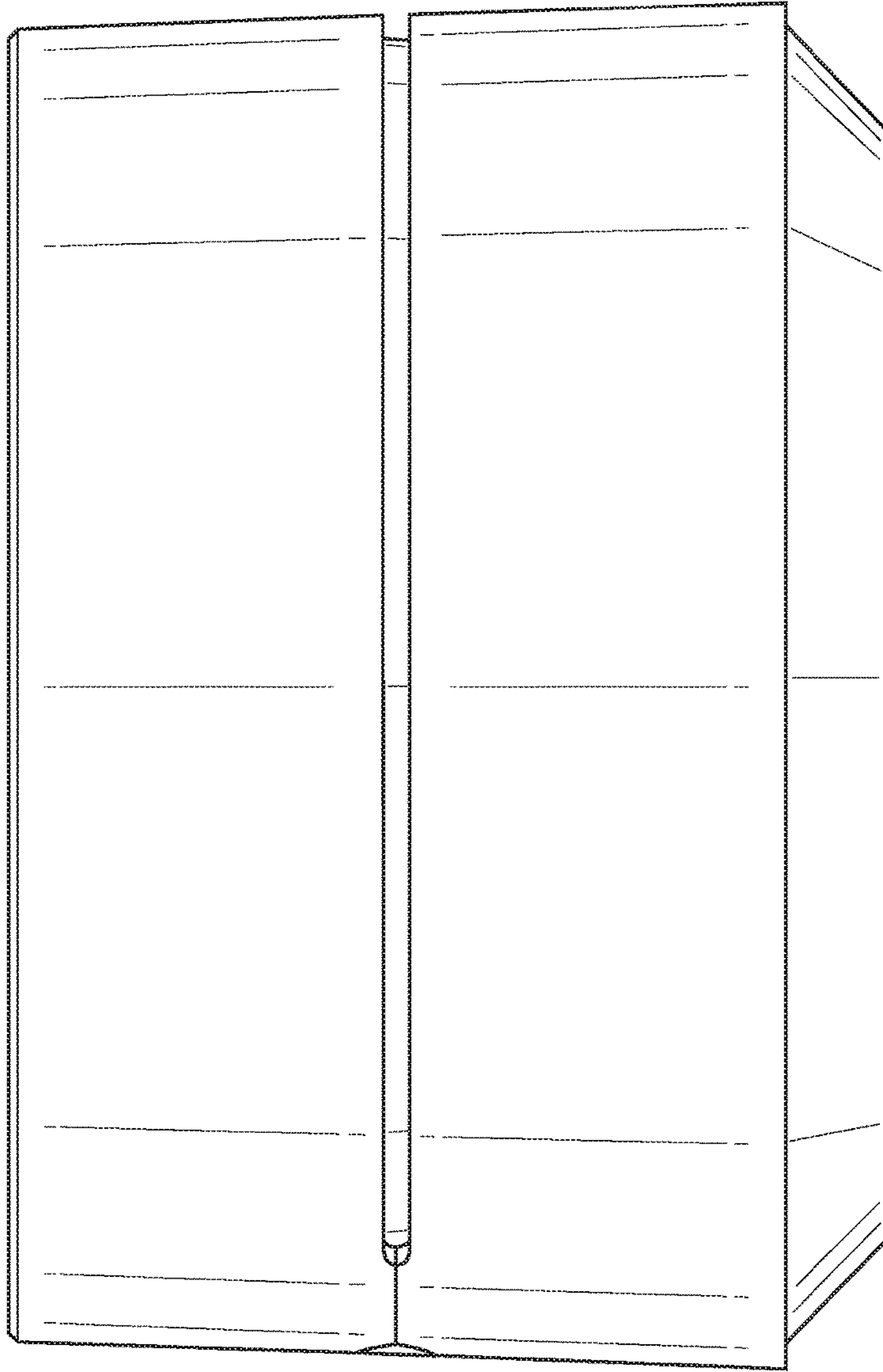


FIG. 6

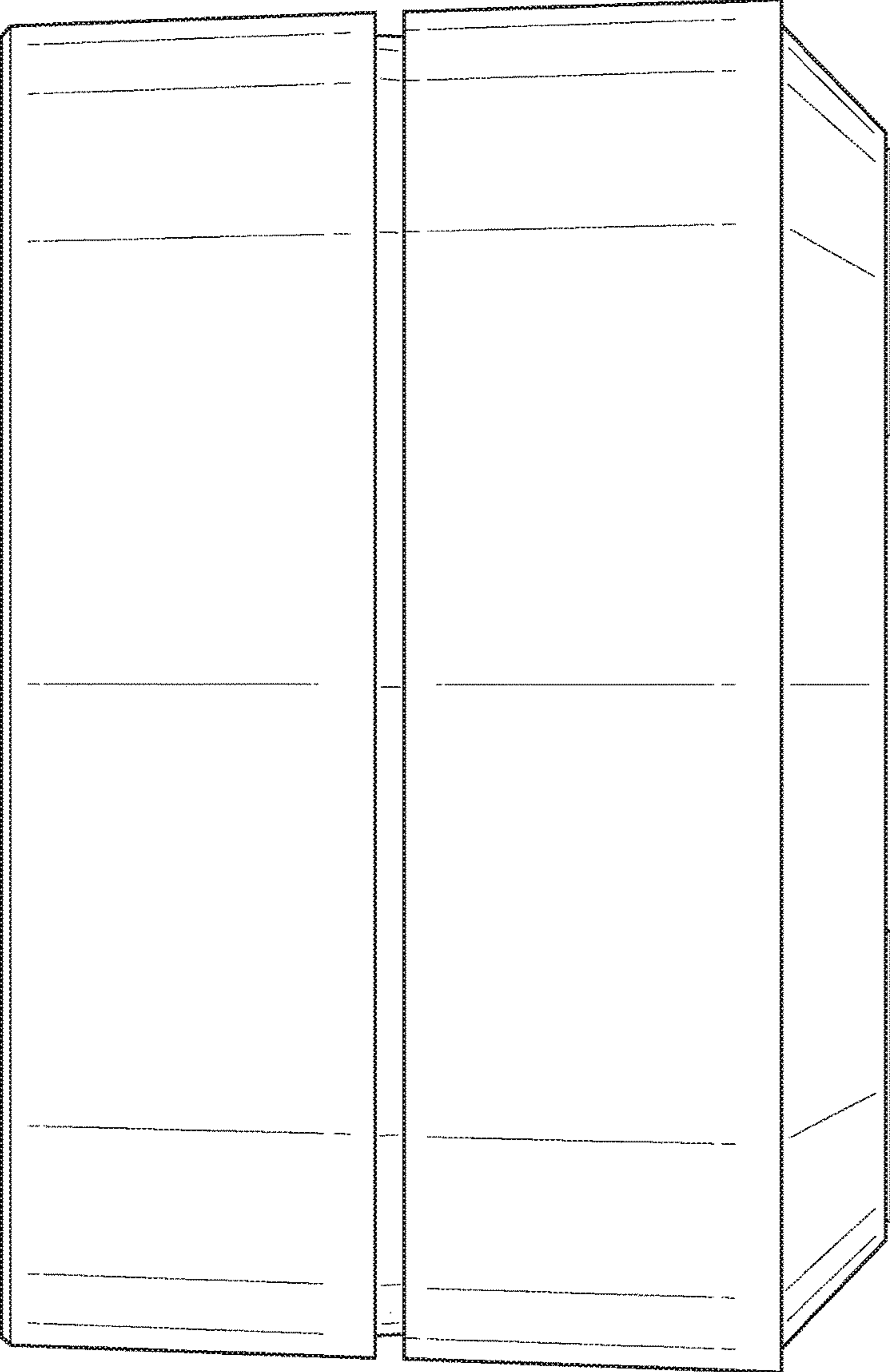


FIG. 7

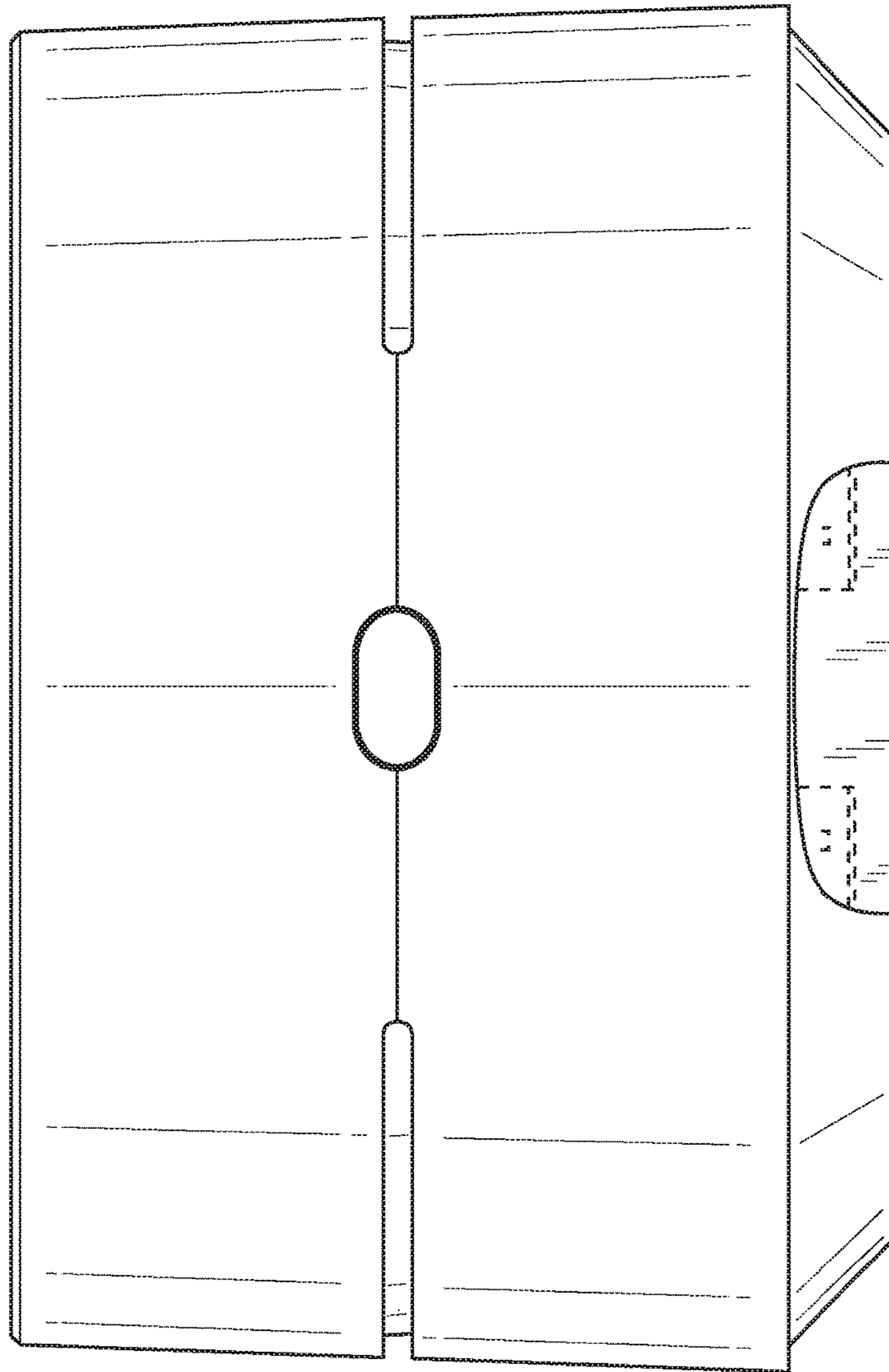


FIG. 8

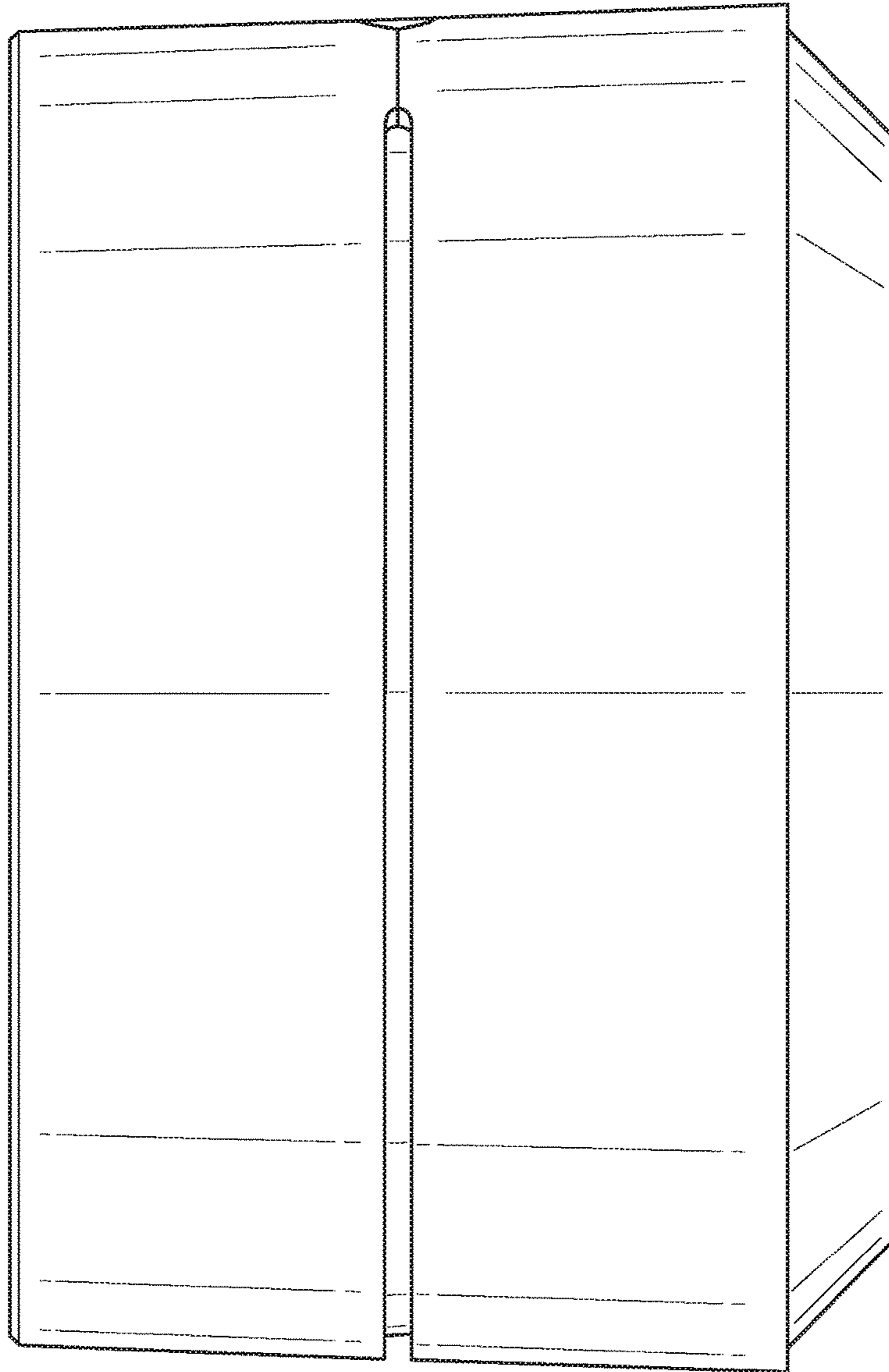


FIG. 9