



US00D806703S

(12) **United States Design Patent**  
**Skinner et al.**

(10) **Patent No.:** **US D806,703 S**  
(45) **Date of Patent:** **\*\* Jan. 2, 2018**

(54) **COMPUTER**

G06F 1/1601; A45C 11/00; H04M 1/00;  
F16M 11/04; F16M 11/06; F16M 11/10

(71) Applicant: **HEWLETT-PACKARD  
DEVELOPMENT COMPANY, L.P.**,  
Houston, TX (US)

See application file for complete search history.

(72) Inventors: **David N. Skinner**, Houston, TX (US);  
**Glenn A. Wong**, Houston, TX (US);  
**Stacy L. Wolff**, Houston, TX (US);  
**Peter Lee**, Houston, TX (US)

(56) **References Cited**

U.S. PATENT DOCUMENTS

(73) Assignee: **Hewlett-Packard Development  
Company, L.P.**, Houston, TX (US)

D270,063	S *	8/1983	Ackeret	40/513
5,128,662	A *	7/1992	Failla	G06F 1/1601 248/924
6,987,666	B2 *	1/2006	Medica	F16M 11/10 248/424
7,203,059	B1 *	4/2007	Kramer	G06F 1/1616 210/303
D588,141	S *	3/2009	Heggland	D14/434
7,578,490	B2 *	8/2009	Kim	F16M 11/04 248/138
D599,792	S *	9/2009	Lin	D14/331

(\*\*) Term: **15 Years**

(21) Appl. No.: **29/602,982**

(22) Filed: **May 5, 2017**

(Continued)

*Primary Examiner* — Freda S Nunn

(74) *Attorney, Agent, or Firm* — Foley & Lardner

**Related U.S. Application Data**

(62) Division of application No. 29/506,520, filed on Oct. 16, 2014, now Pat. No. Des. 789,921.

(51) **LOC (11) Cl.** ..... **14-02**

(52) **U.S. Cl.**  
USPC ..... **D14/336**

(58) **Field of Classification Search**  
USPC ..... D14/341–346, 455, 456, 451, 452, 457,  
D14/434, 371; D18/1, 2, 7, 11, 4.1–4.6,  
D18/24–28; 178/17 A, 17 C; 200/5 A,  
200/5 R, 6 A, 6 R, 341; 235/145 A,  
235/145 R; 341/22, 23; 345/160, 168,  
345/169; 361/679.08, 679.09, 679.11,  
361/679.12; 400/484–489, 492, 682;  
455/418, 550.1, 556.2, 575.1, 575.3,  
455/575.4; D13/107, 108  
CPC ..... H03M 11/00; H01H 13/14; H01H 13/84;  
B41J 5/00; B41J 5/12; B41J 5/10; H03K  
17/94; G06F 1/1626; G06F 1/1632; G06F  
1/1616; G06F 3/0221; G06F 1/1628;

(57) **CLAIM**

We claim the ornamental design for a computer, as shown and described.

**DESCRIPTION**

FIG. 1 is a top, front, right perspective view of the claimed design;

FIG. 2 is a bottom, front, left perspective view thereof;

FIG. 3 is a front elevation view thereof;

FIG. 4 is a rear elevation view thereof;

FIG. 5 is a left elevation view thereof;

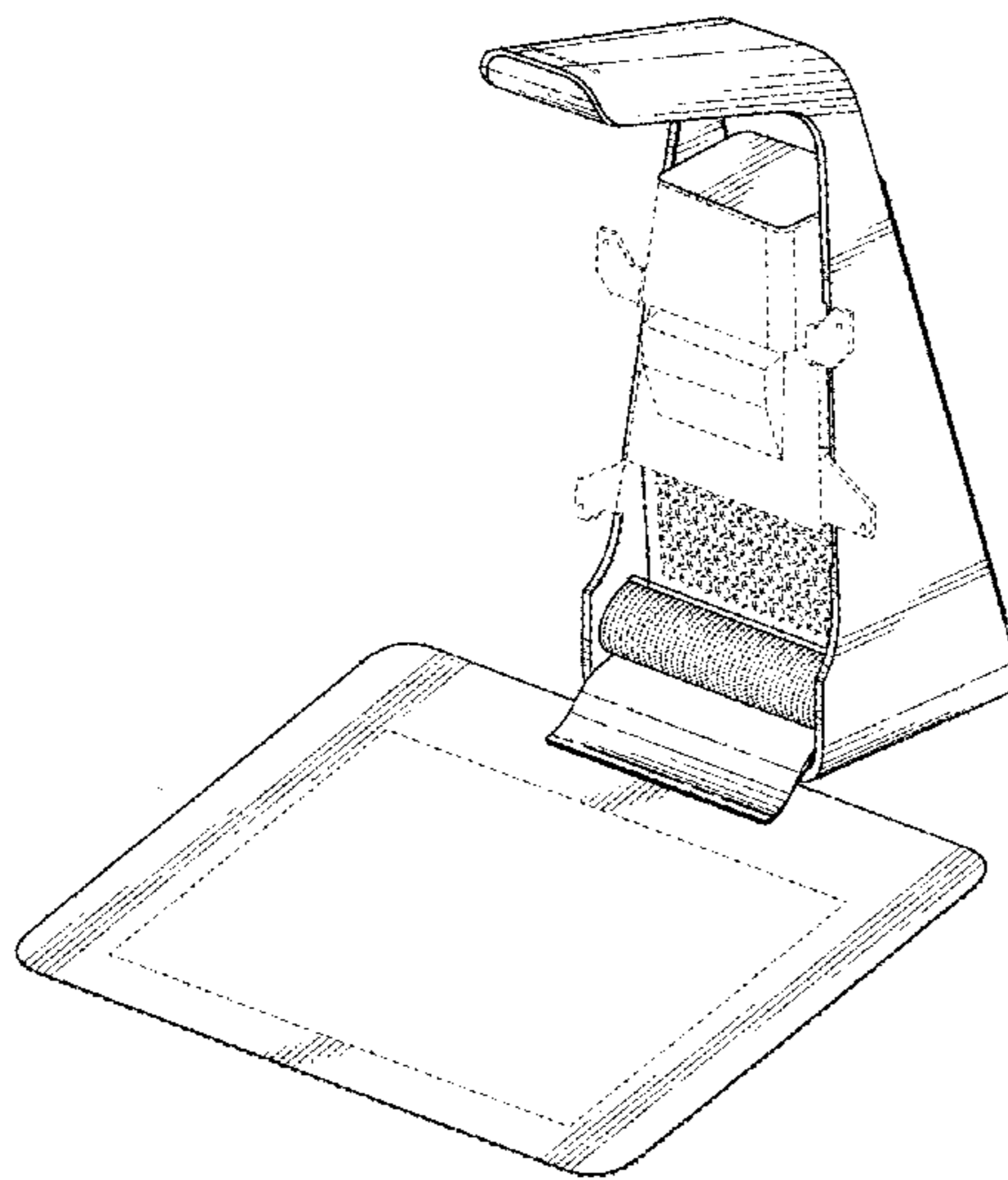
FIG. 6 is a right elevation view thereof;

FIG. 7 is a top plan view thereof; and,

FIG. 8 is a bottom plan view thereof.

The ornamental design which is claimed is shown in solid lines in the drawings. The broken lines in the drawings form no part of the claimed design. Broken lines formed by equal length dashes show unclaimed subject matter.

**1 Claim, 8 Drawing Sheets**



(56)

**References Cited**

U.S. PATENT DOCUMENTS

7,804,679 B2 \* 9/2010 Pischl ..... G06F 1/1601  
248/917  
D676,453 S \* 2/2013 Hsu ..... D14/447  
D698,356 S \* 1/2014 Park ..... D14/138 AD  
D714,794 S \* 10/2014 Quijano ..... D14/447  
2007/0064380 A1 \* 3/2007 Shin ..... F16M 11/06  
361/679.07  
2010/0001163 A1 \* 1/2010 Takizawa ..... F16M 11/06  
248/371

\* cited by examiner

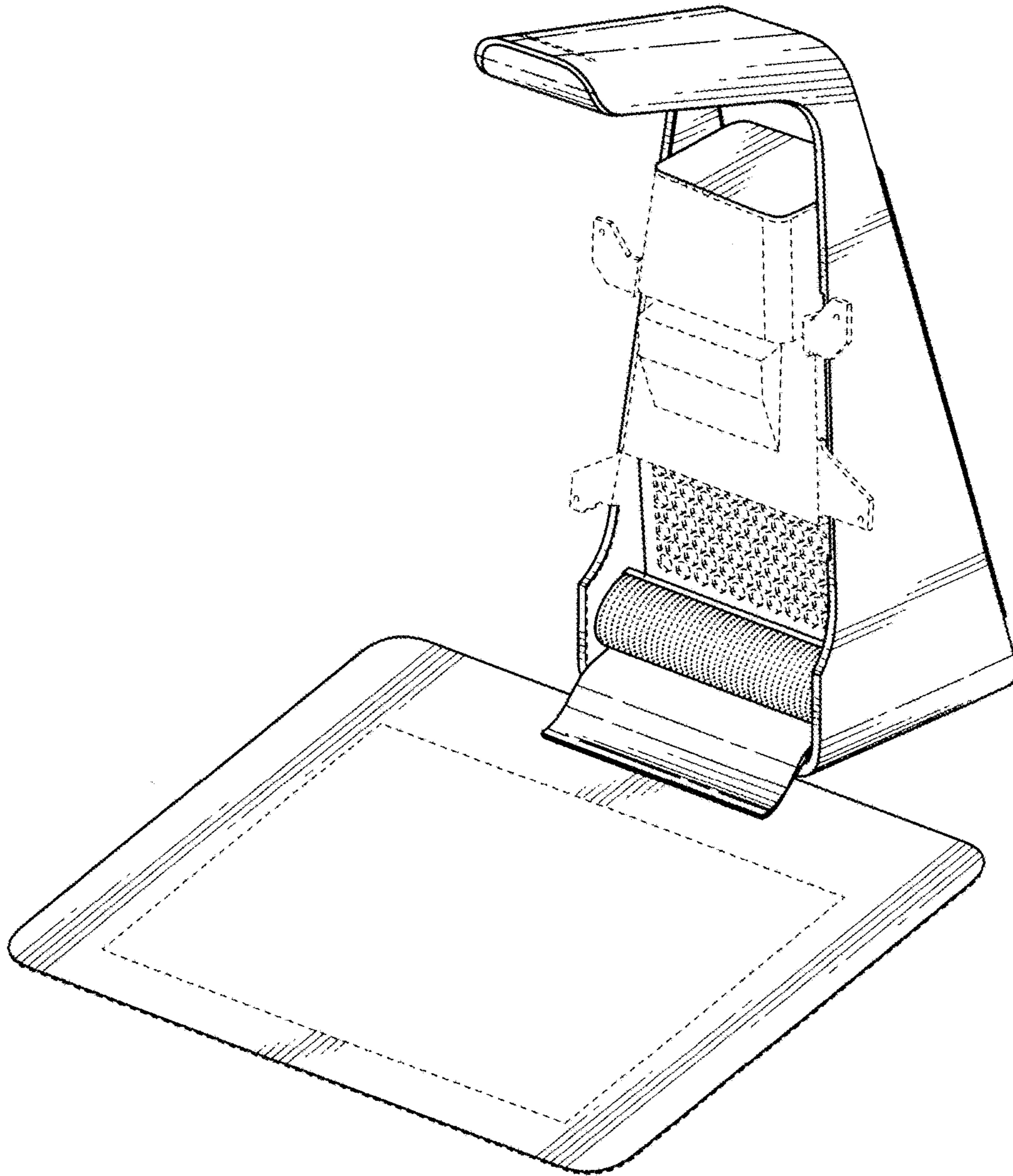


FIG. 1

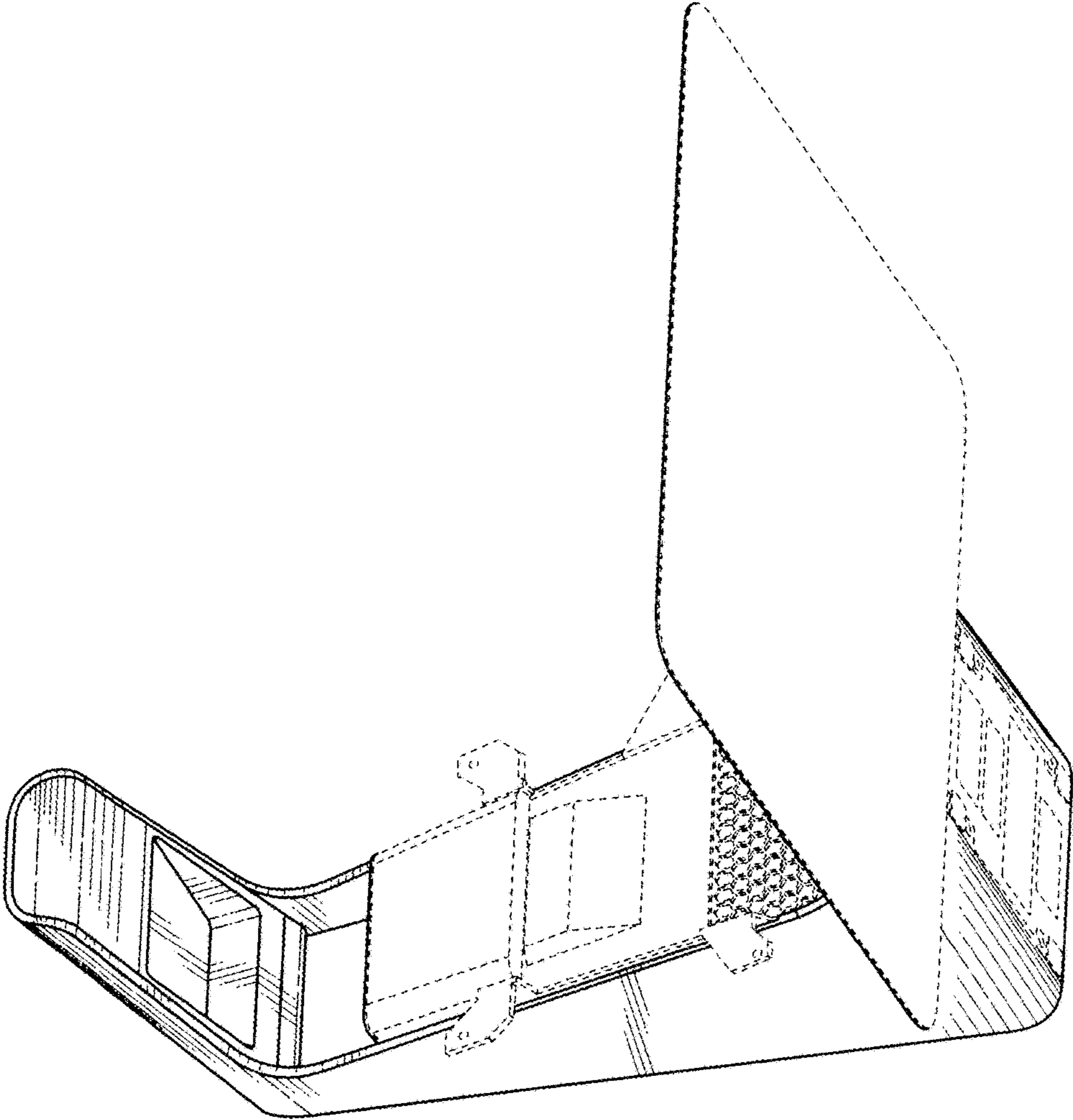


FIG. 2



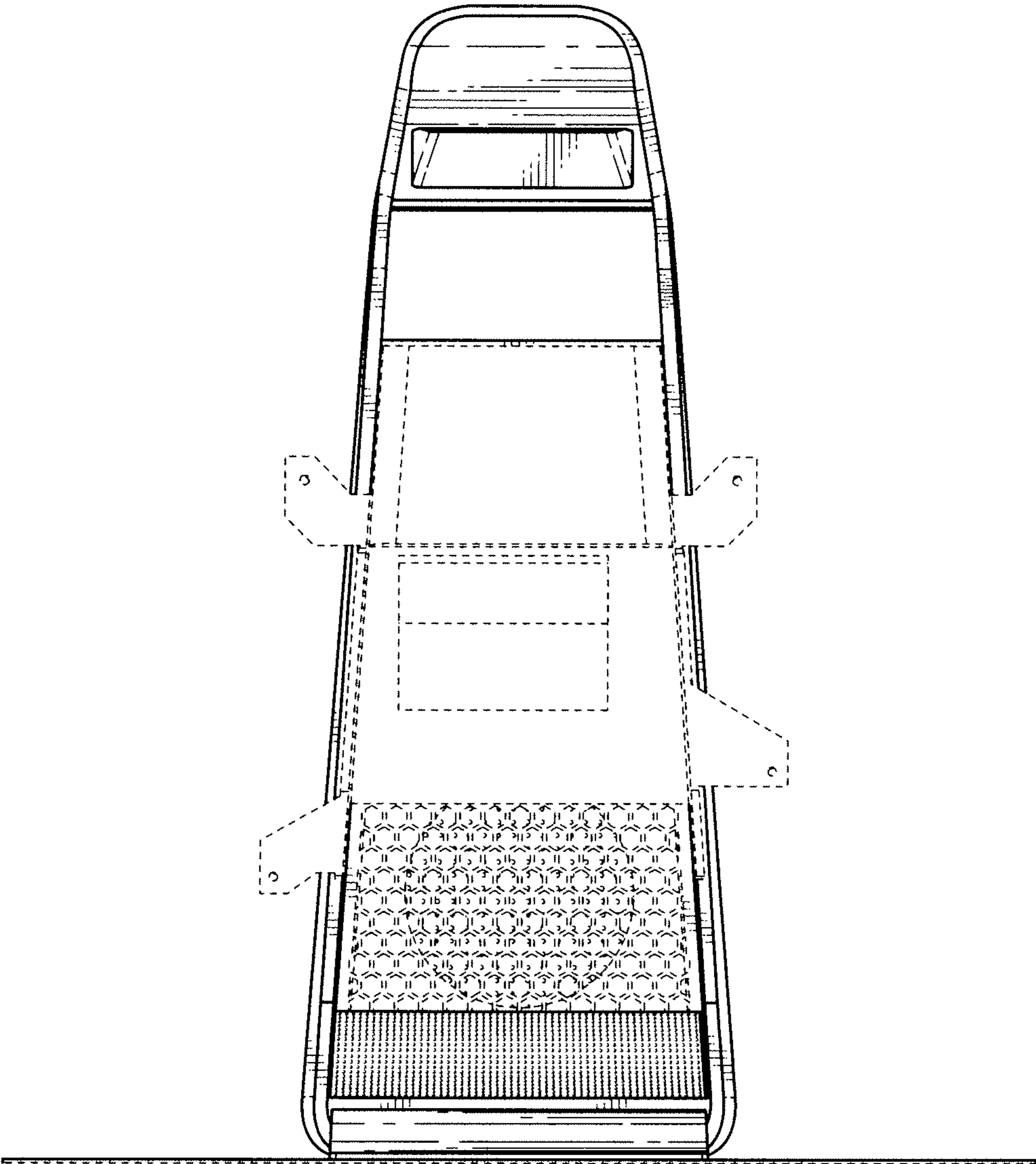


FIG. 3

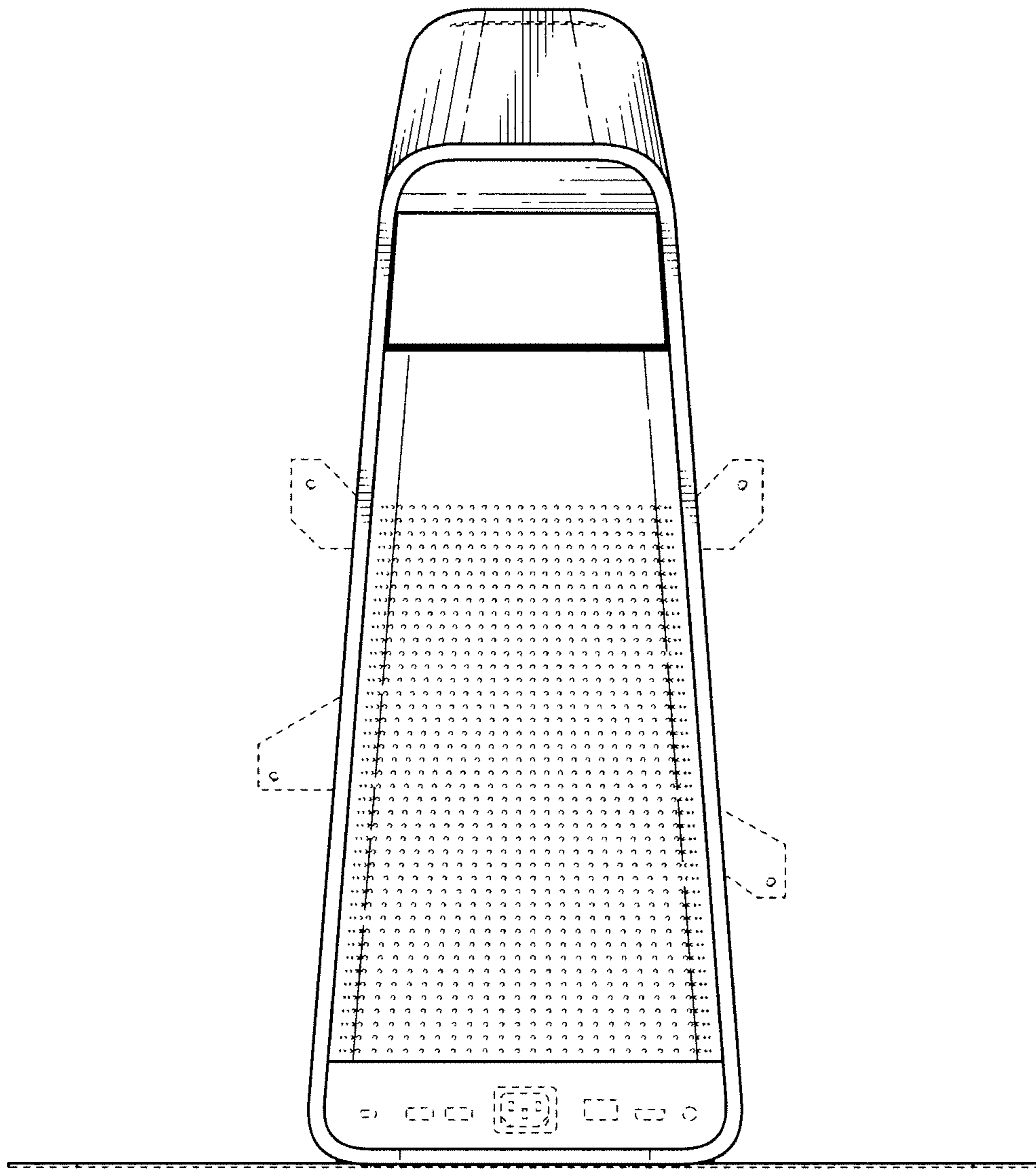
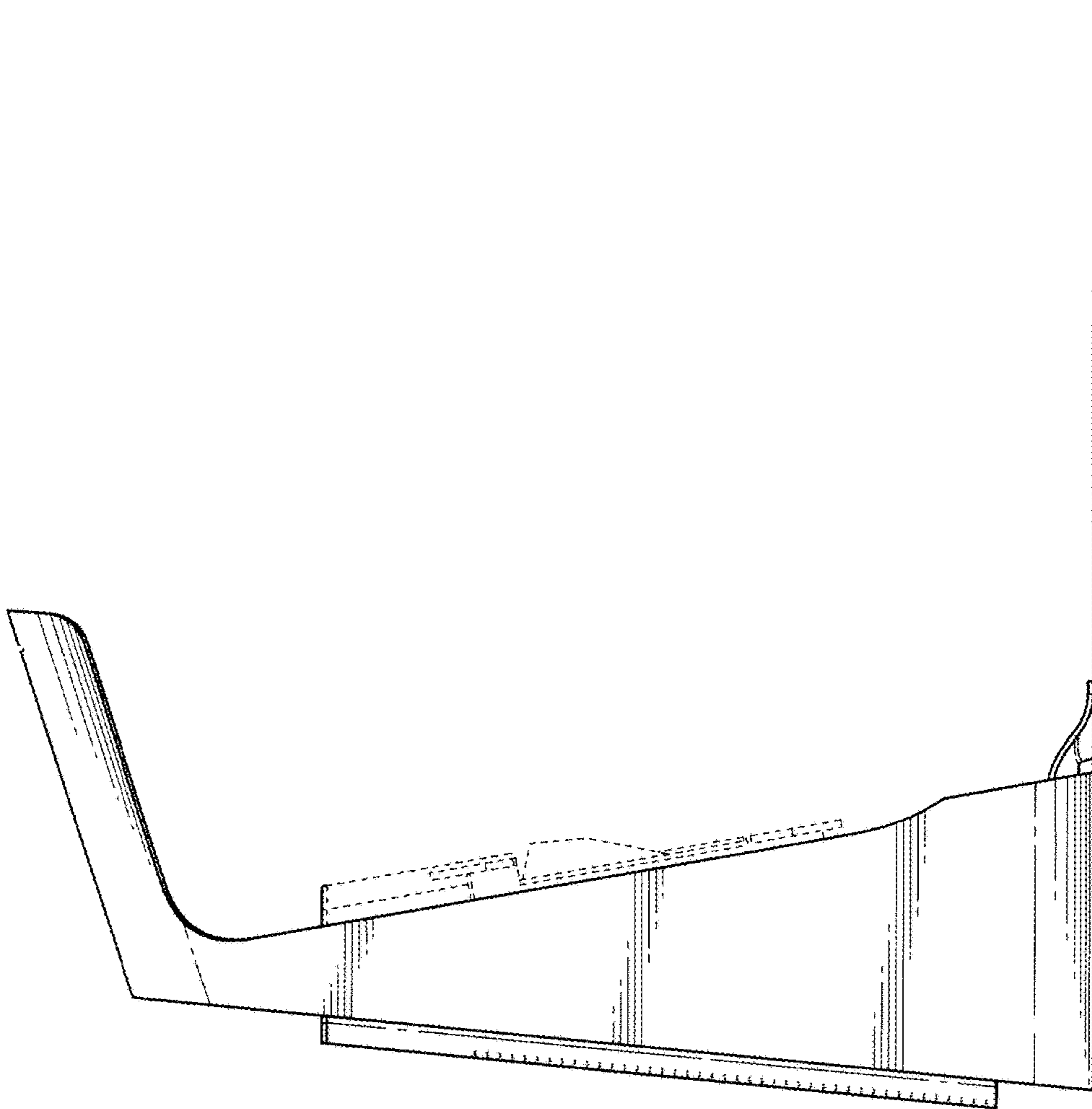


FIG. 4

FIG. 5



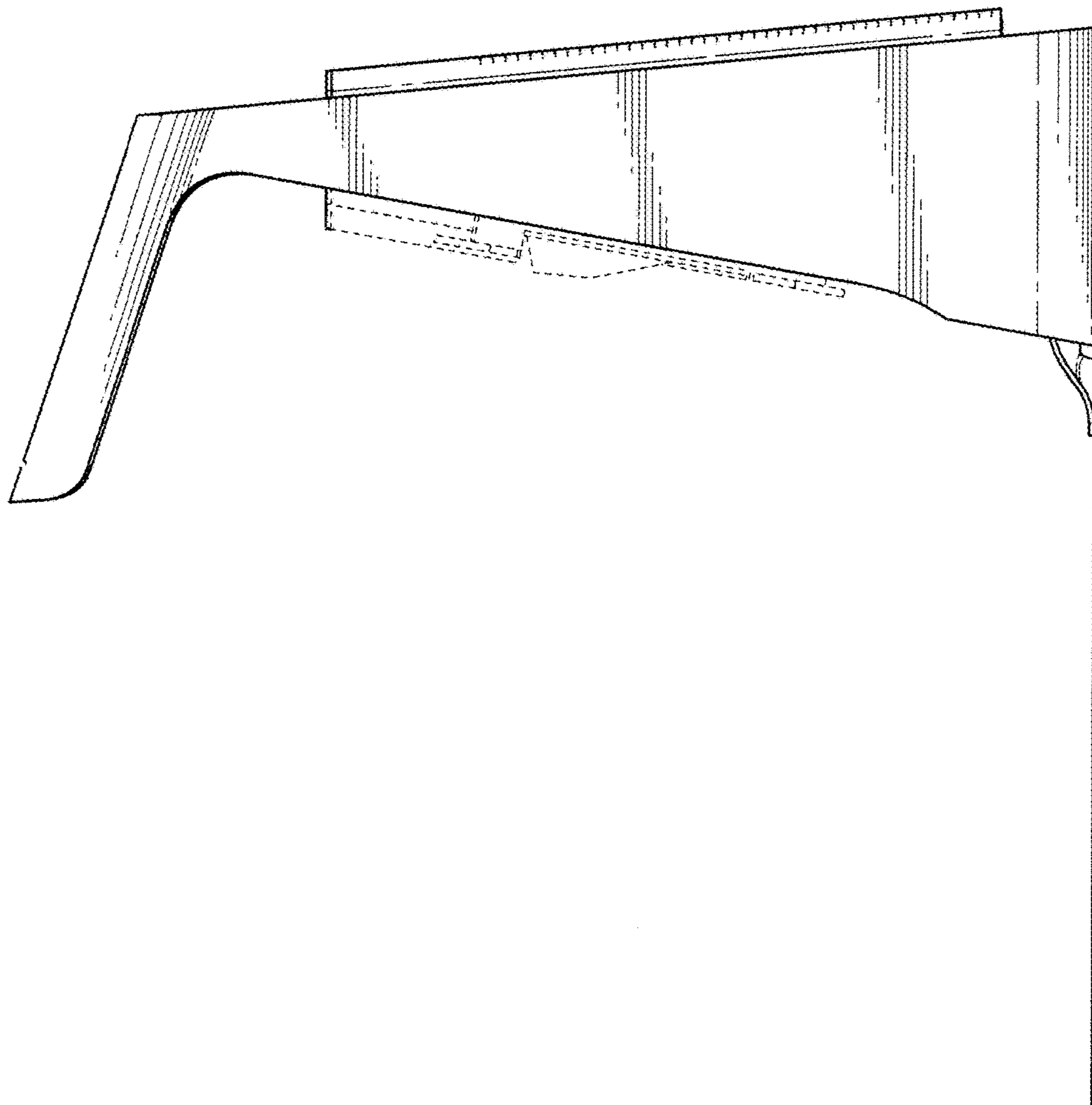


FIG. 6



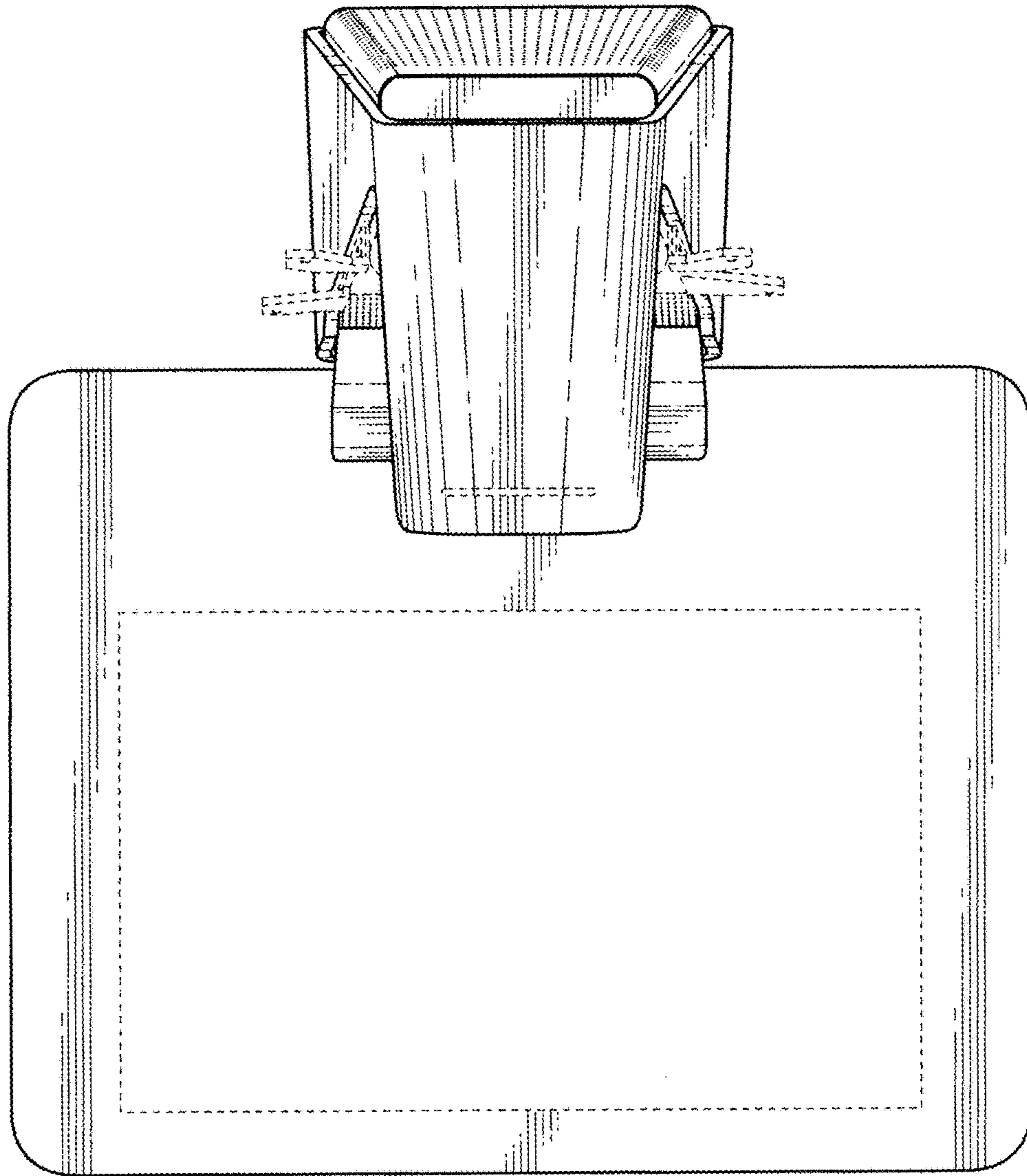


FIG. 7

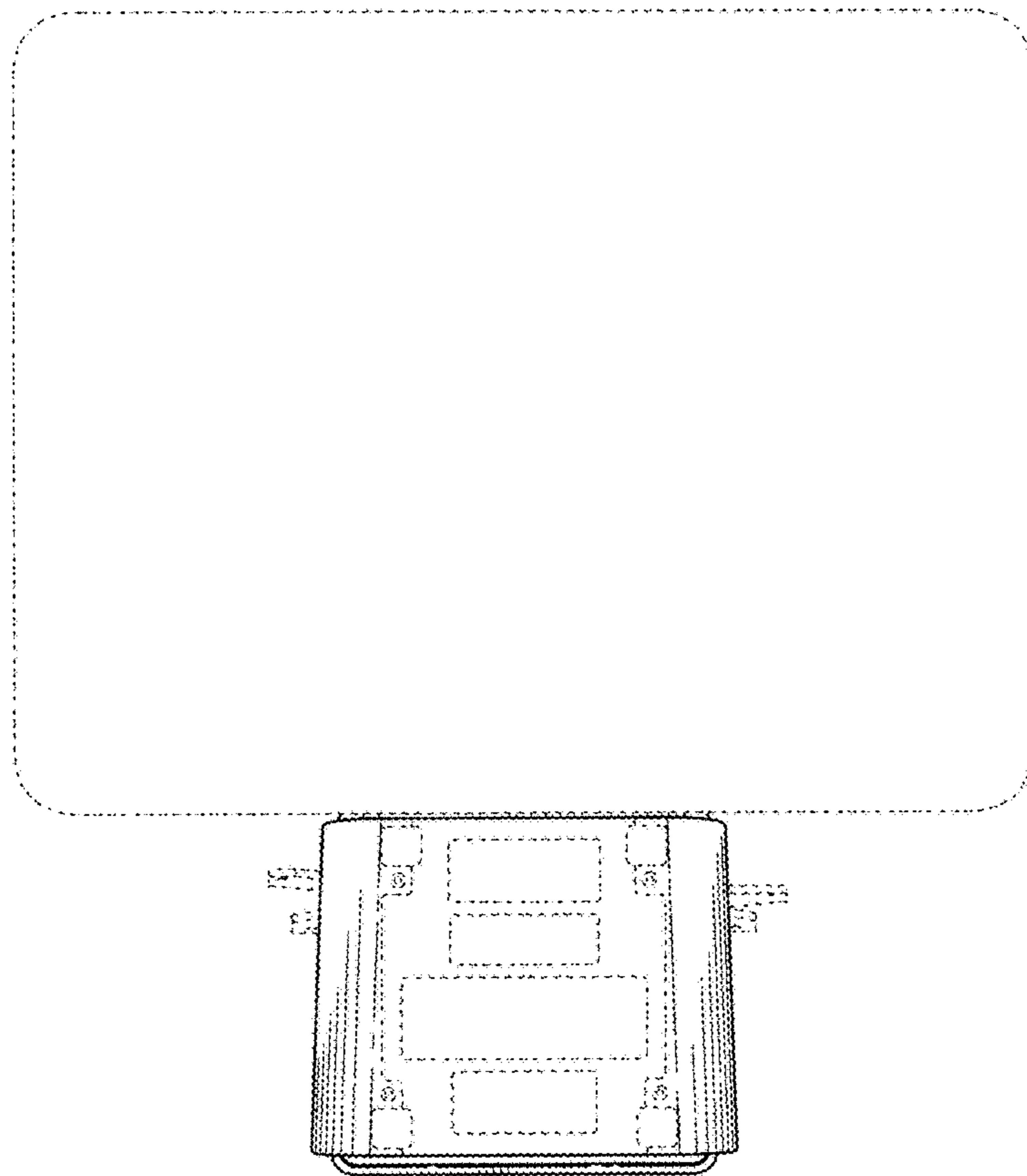


FIG. 8