



US00D806702S

(12) **United States Design Patent**
Senatori et al.

(10) **Patent No.:** **US D806,702 S**
(45) **Date of Patent:** **** Jan. 2, 2018**

(54) **COMPUTER**

(71) Applicant: **HEWLETT-PACKARD DEVELOPMENT COMPANY, L.P.**, Houston, TX (US)
(72) Inventors: **Mark Senatori**, Houston, TX (US); **Ilchan Lee**, Houston, TX (US); **Marcus Hoggarth**, Houston, TX (US); **Jack Godfrey Wood**, Houston, TX (US); **Stephen de Saulles**, Houston, TX (US); **Ian Guy**, Houston, TX (US); **Harc Lee**, Houston, TX (US); **Sunny Hwang**, Houston, TX (US)

(73) Assignee: **Hewlett-Packard Development Company, L.P.**, Houston, TX (US)

(**) Term: **15 Years**

(21) Appl. No.: **29/583,011**

(22) Filed: **Nov. 1, 2016**

(51) **LOC (11) Cl.** **14-02**

(52) **U.S. Cl.**
USPC **D14/316**

(58) **Field of Classification Search**
USPC D14/315-327; D18/1, 2, 7, 11; 235/145 A, 145 R; 341/22, 23; 345/104, 345/156, 168, 169, 173; 361/679.08, 361/679.09, 679.11, 679.26, 679.27
CPC G06F 1/16; G06F 1/1616; G06F 1/1626; G06F 1/1632; G06F 1/1613; G06F 1/1601; G06F 1/1618; G06F 1/162; G06F 1/1679; G06F 1/1681; G06F 1/1683; H01R 35/02; H03M 11/00; G09B 13/04; H03K 17/94; G09G 5/00; F16M 11/10; E05D 11/0081; E05D 3/10; E05D 11/082; E05D 5/00; E05Y 2900/606; H05K 5/0226; Y10T 16/52; Y10T 16/533; Y10T 16/547; Y10T 16/5385; Y10T 16/5472; Y10T 16/5476; Y10T 16/54038

See application file for complete search history.

(56) **References Cited**

U.S. PATENT DOCUMENTS

7,164,578 B2 *	1/2007	Wang	E05C 9/1875 292/102
D540,804 S *	4/2007	Hibino	D14/434
D602,485 S *	10/2009	Ting	D14/318
D624,911 S *	10/2010	Lee	D14/315
D676,041 S *	2/2013	McManigal	D14/315

(Continued)

Primary Examiner — Freda S Nunn

(74) *Attorney, Agent, or Firm* — Foley & Lardner

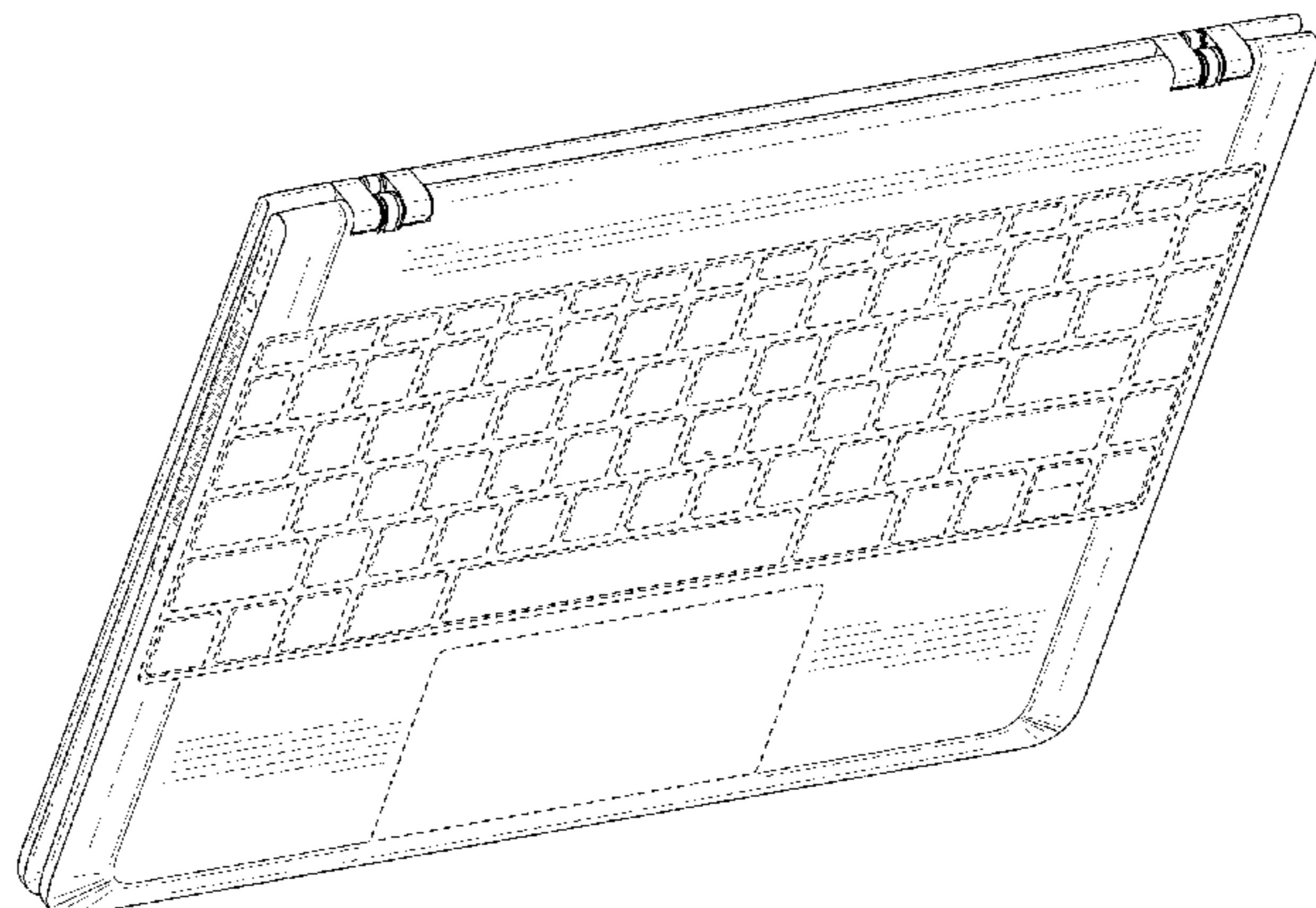
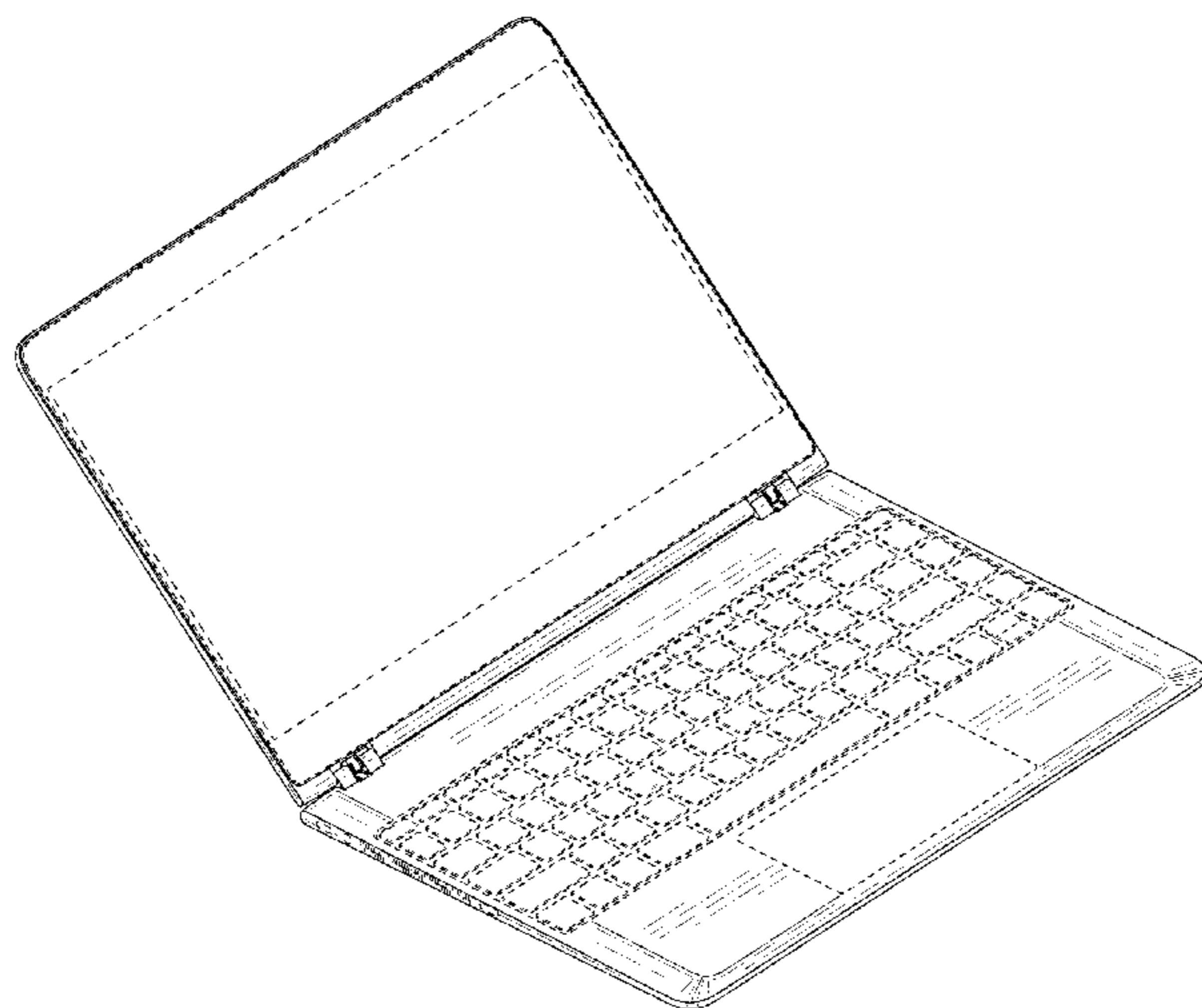
(57) **CLAIM**

We claim the ornamental design for a computer, as shown and described.

DESCRIPTION

FIG. 1 is a perspective view of the computer showing our new design;
FIG. 2 is a top plan view thereof;
FIG. 3 is a bottom plan view thereof;
FIG. 4 is a left side elevational view thereof;
FIG. 5 is a right side elevational view thereof;
FIG. 6 is a front elevational view thereof;
FIG. 7 is a rear elevational view thereof;
FIG. 8 is a perspective view thereof shown in a folded position;
FIG. 9 is a top plan view thereof;
FIG. 10 is a bottom plan view thereof;
FIG. 11 is a left side elevational view thereof;
FIG. 12 is a right side elevational view thereof;
FIG. 13 is a front elevational view thereof; and,
FIG. 14 is a rear elevational view thereof.
The ornamental design which is claimed is shown in solid lines in the drawings. The broken lines formed by dashes show unclaimed subject matter and form no part of the claimed design.

1 Claim, 14 Drawing Sheets



(56)

References Cited

U.S. PATENT DOCUMENTS

D687,037	S	*	7/2013	Zhou	D14/434
D743,390	S	*	11/2015	Lyles	D14/315
D756,349	S	*	5/2016	Lim	D14/315
D758,359	S	*	6/2016	Reed	E05C 9/1875
						D14/315
2004/0074050	A1	*	4/2004	Birtley	E05D 11/087
						16/340

* cited by examiner

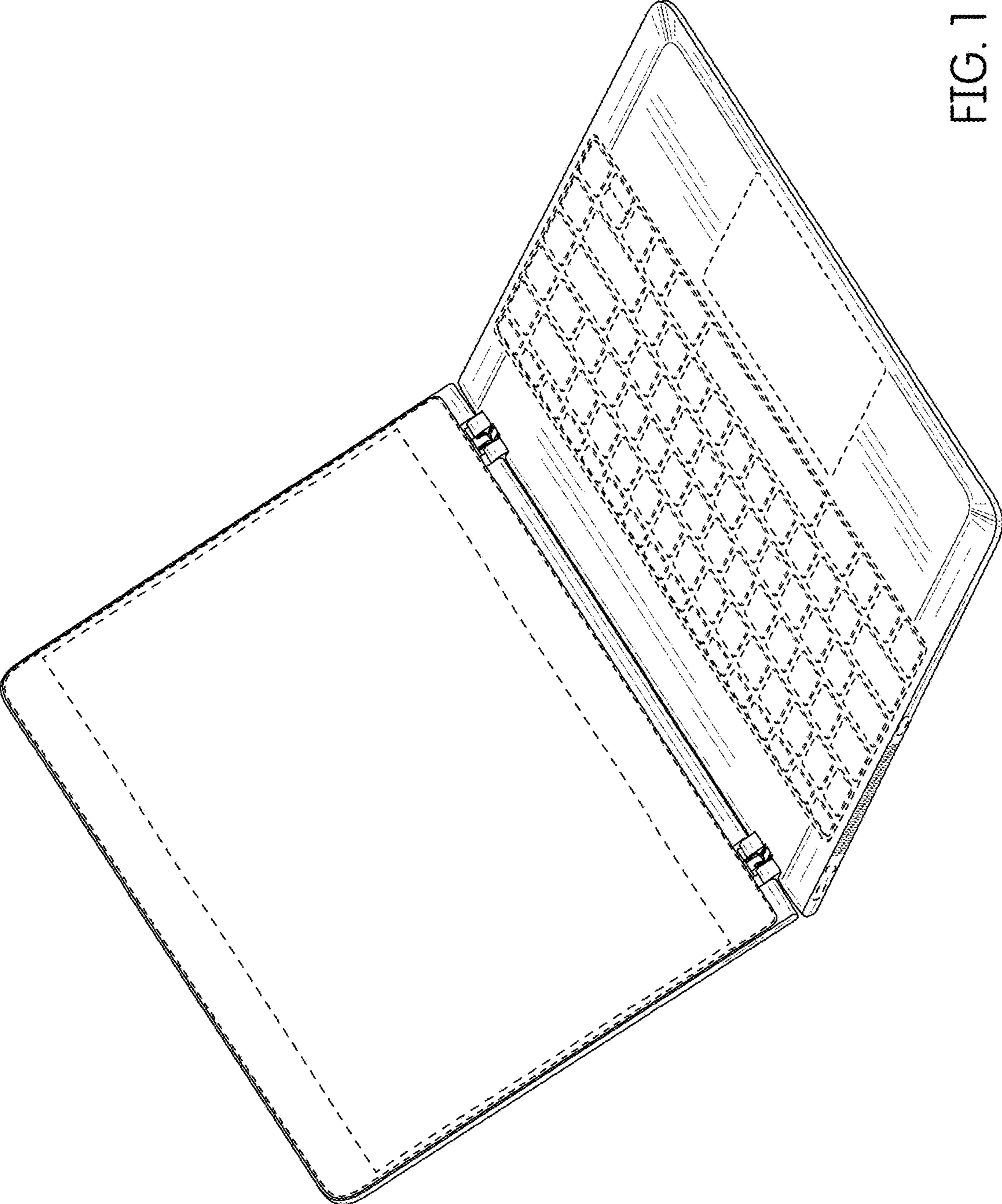


FIG. 1

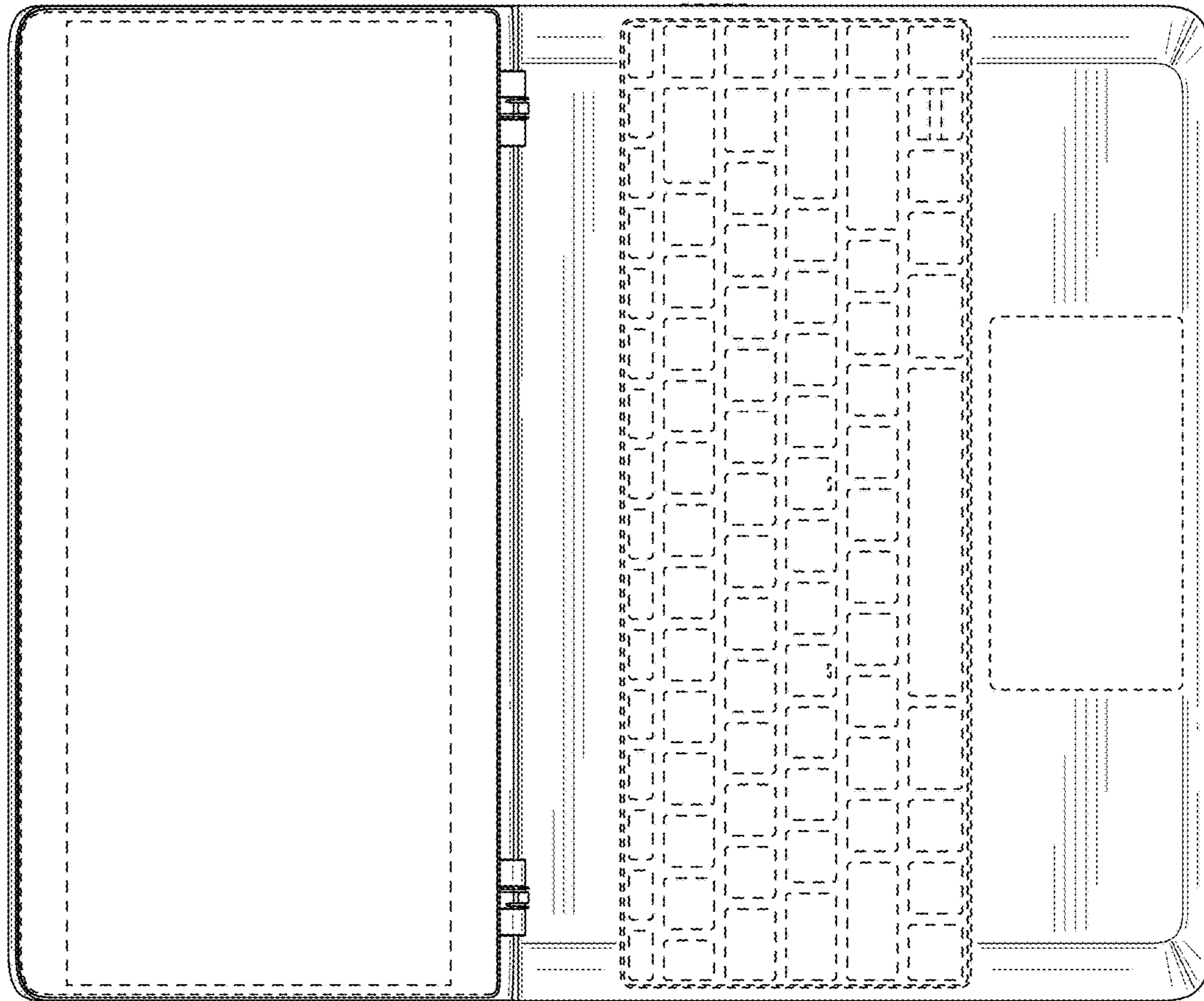


FIG. 2

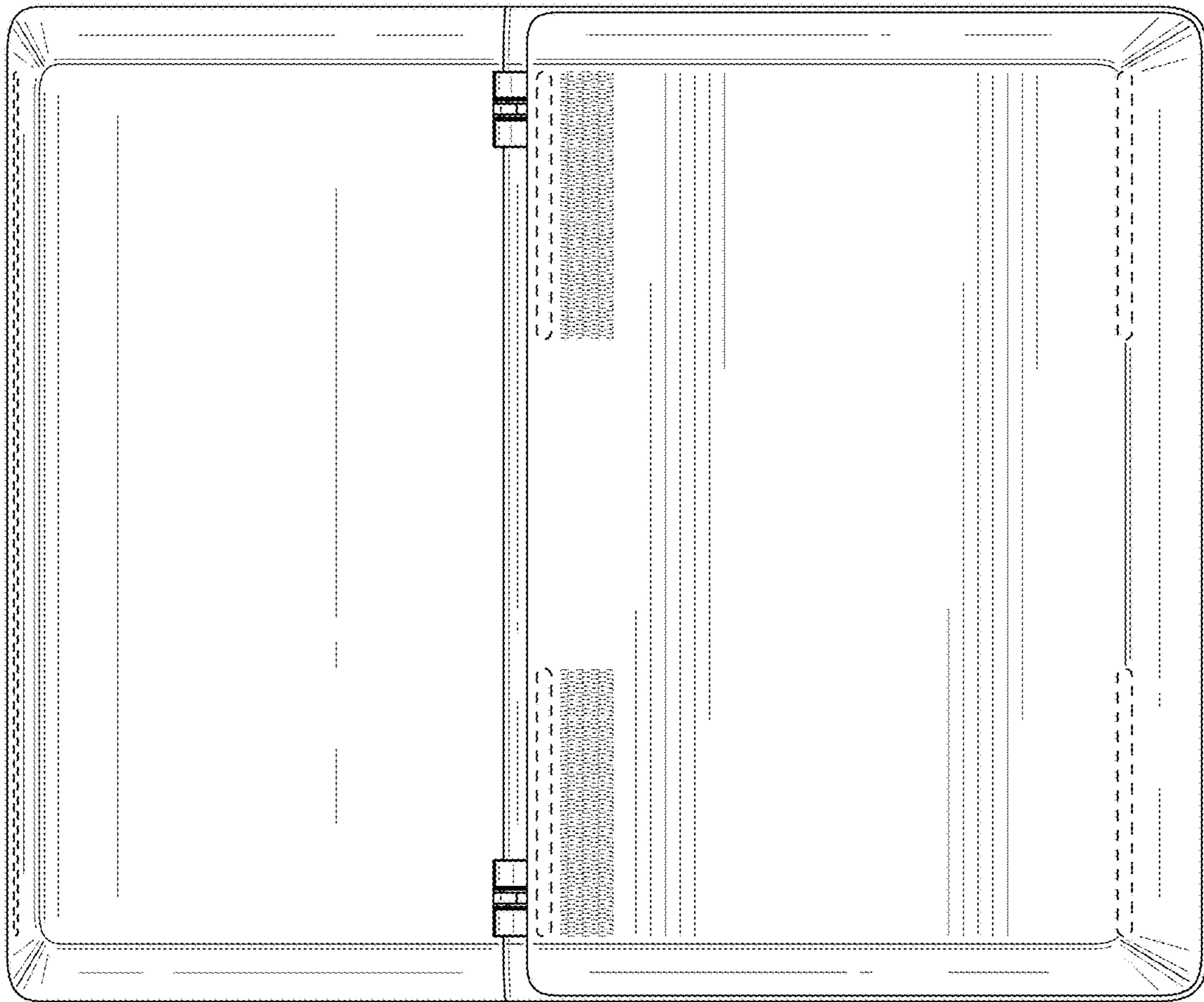


FIG. 3

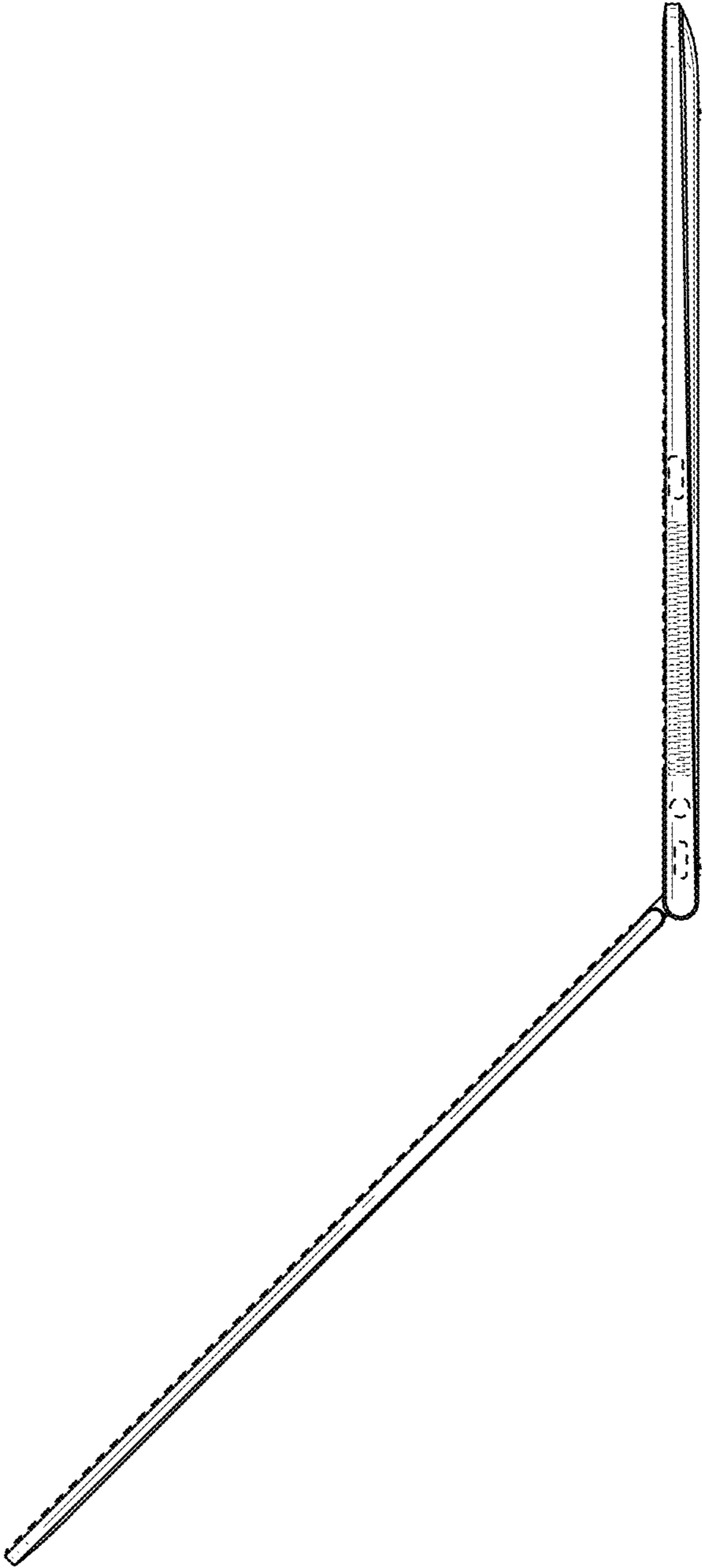


FIG. 4

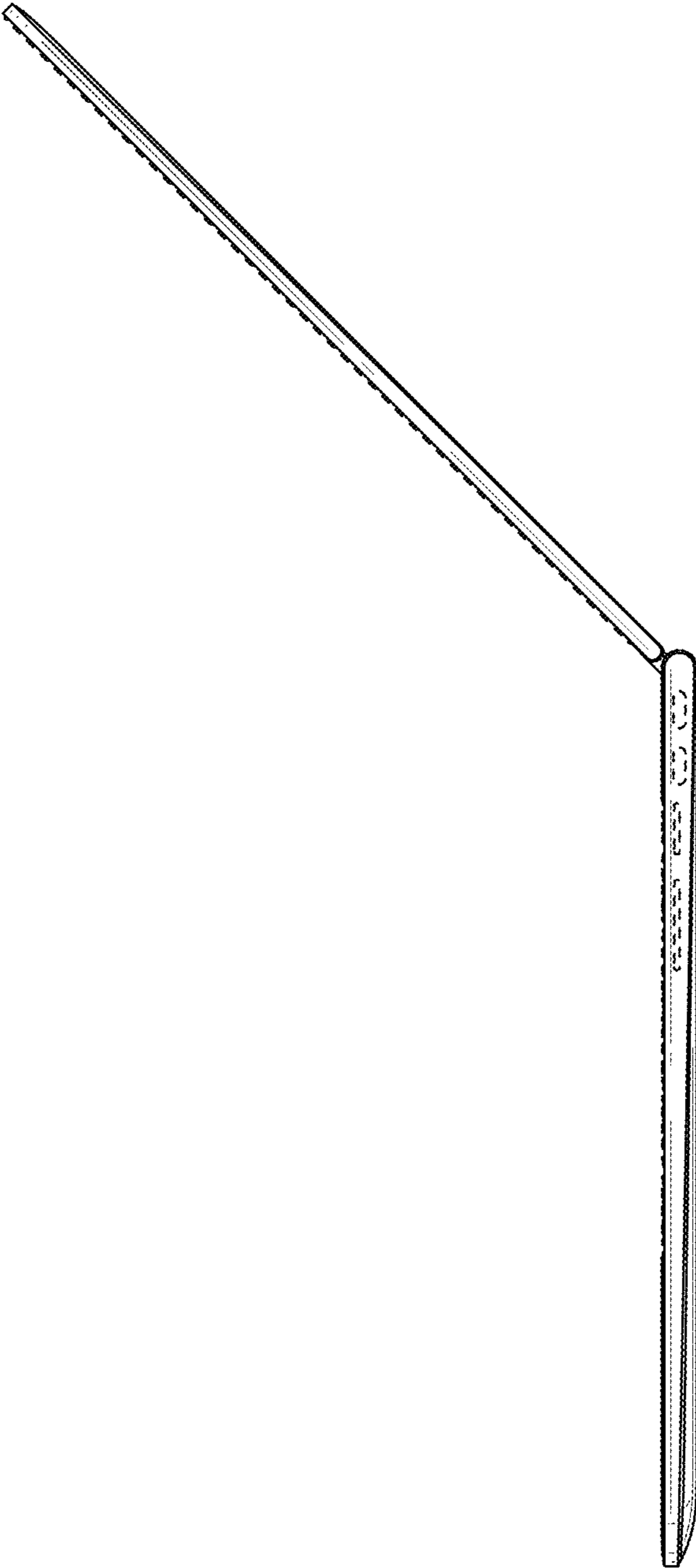


FIG. 5

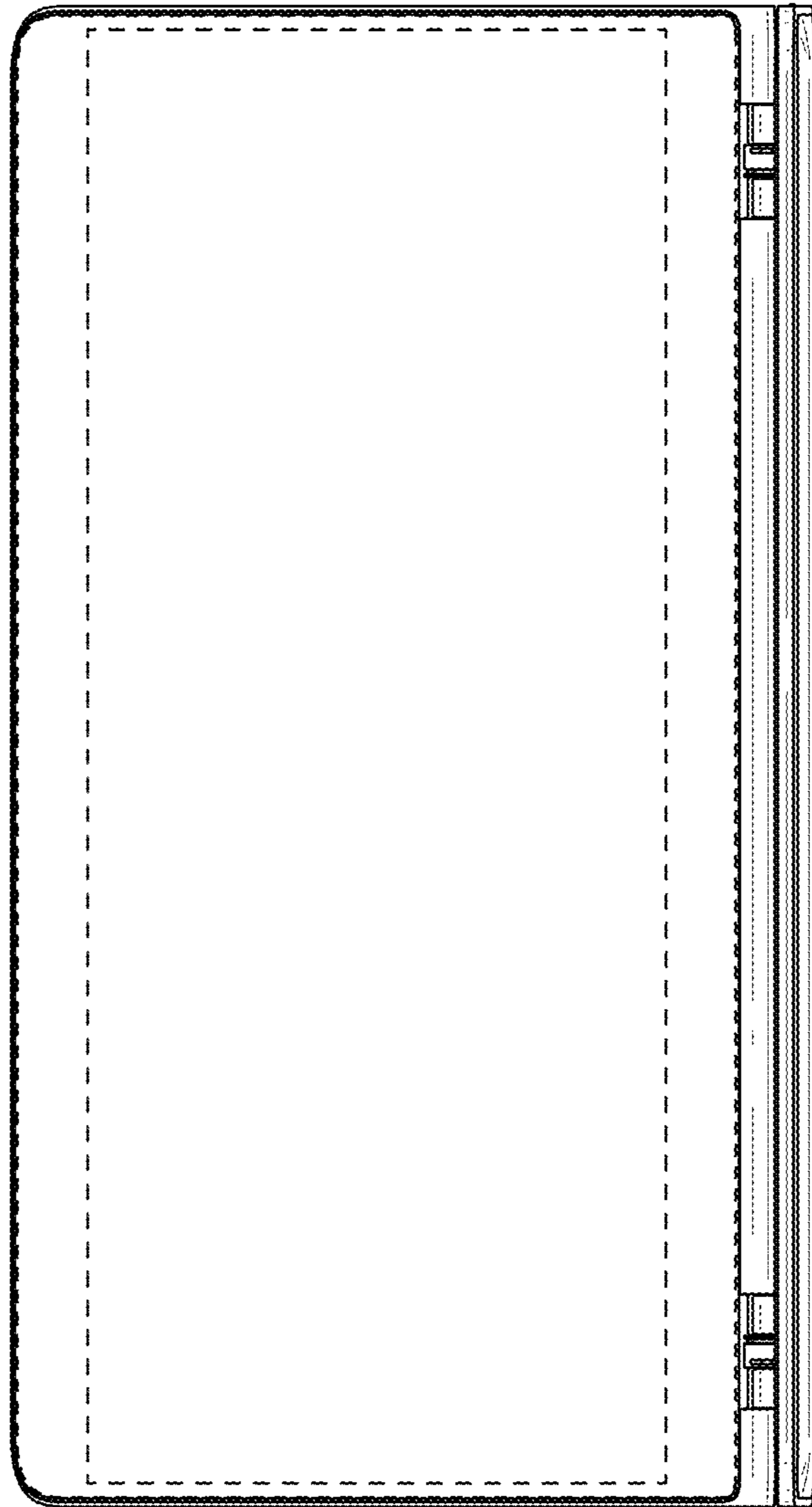


FIG. 6

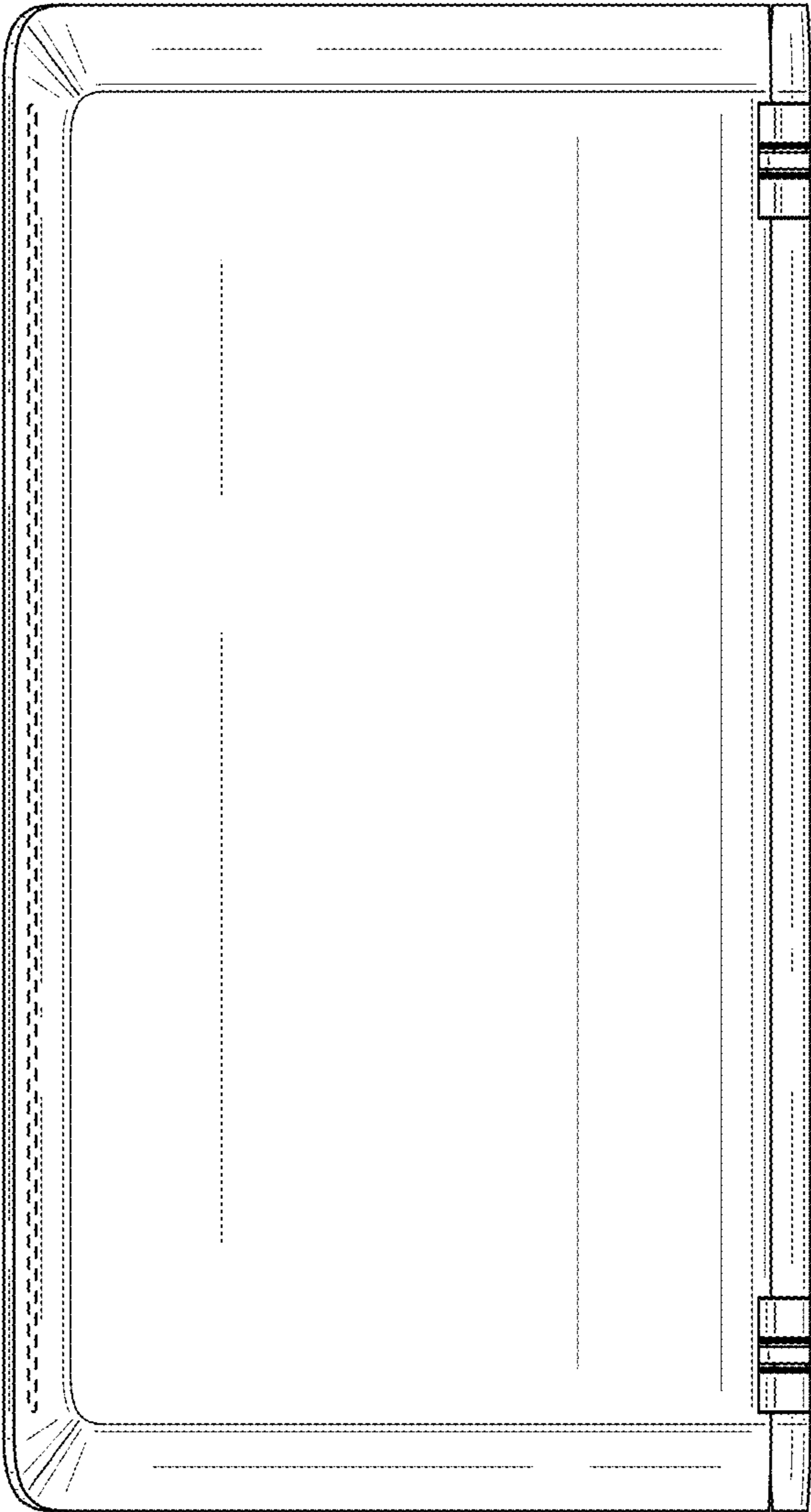


FIG. 7

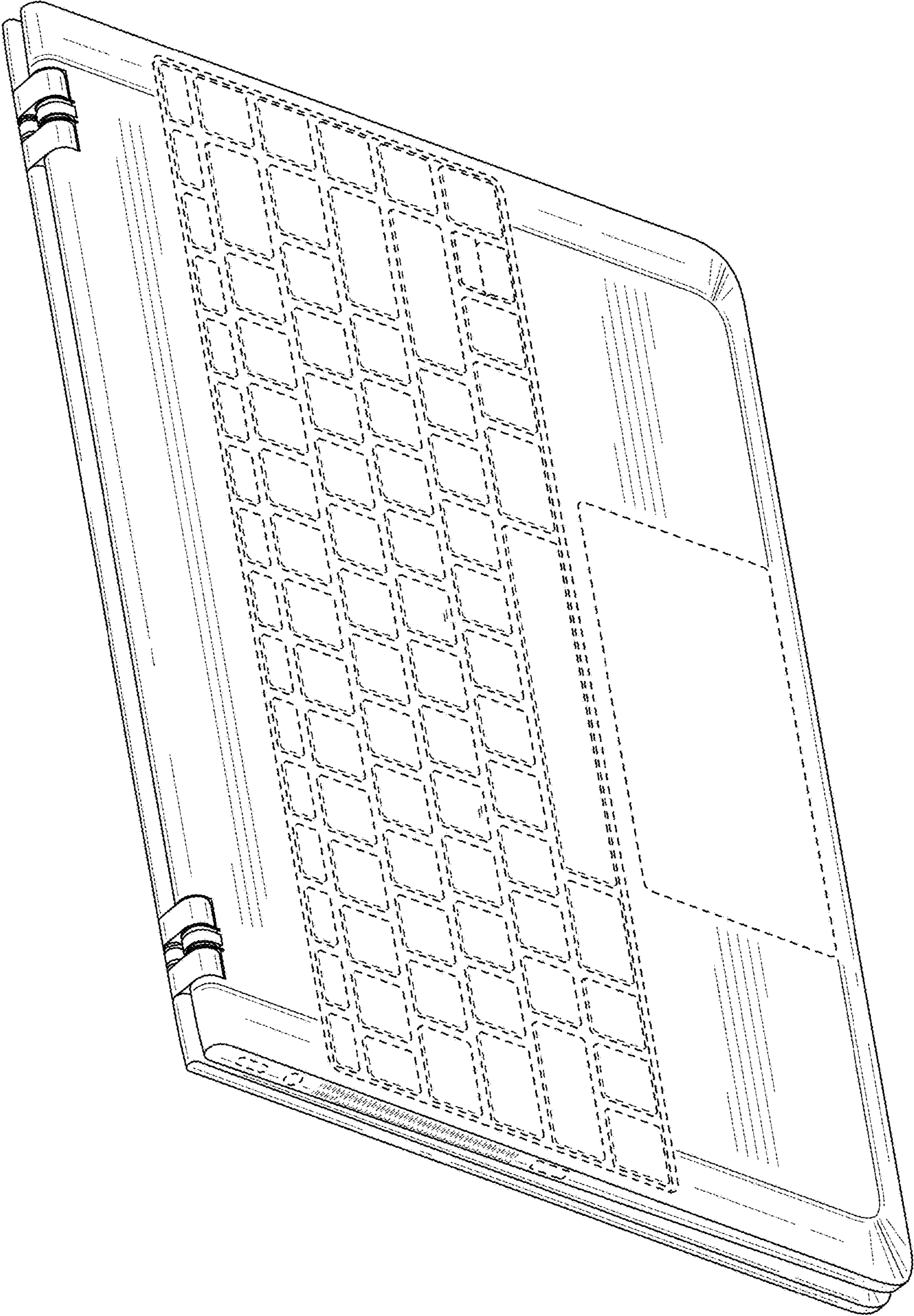


FIG. 8

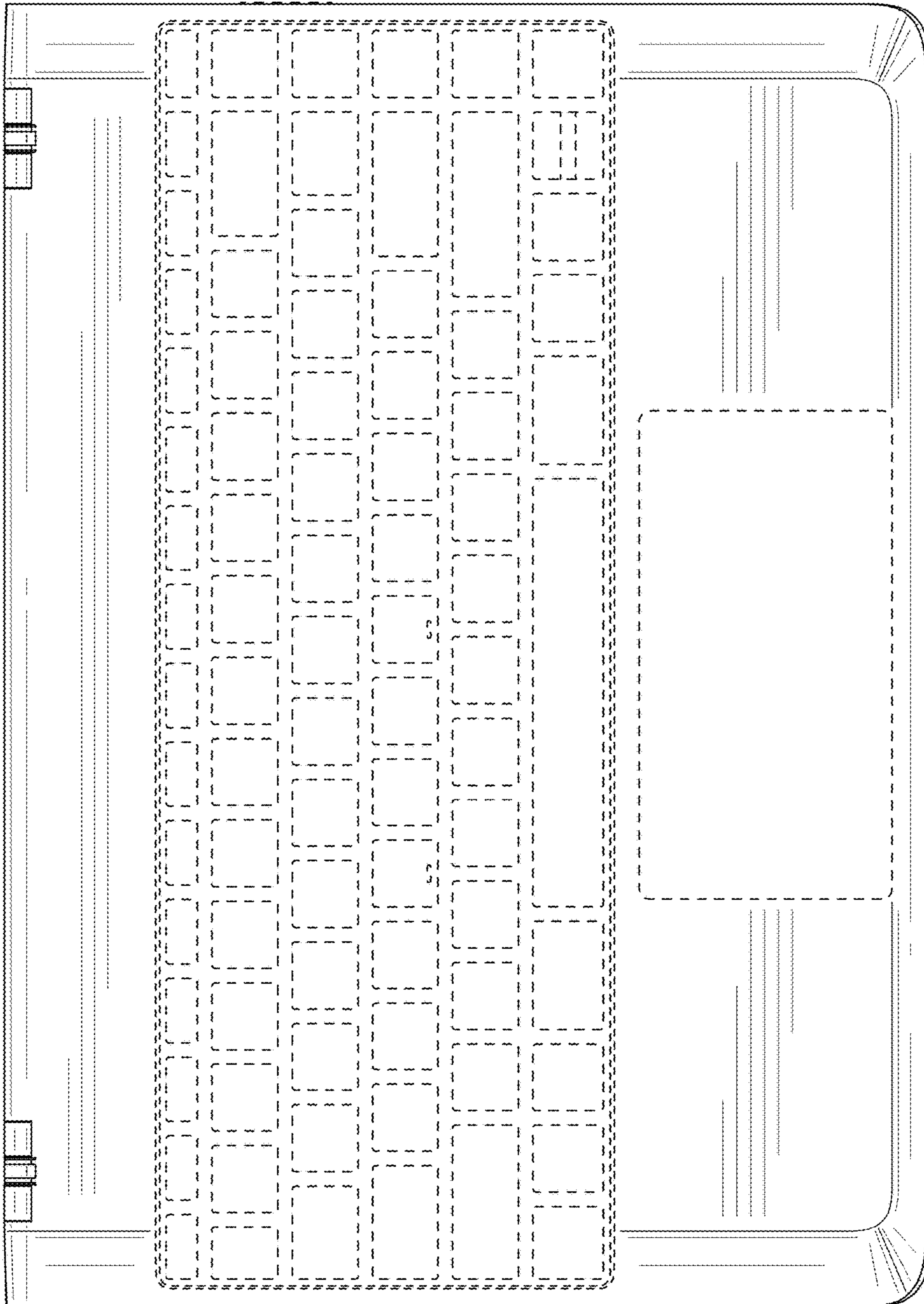


FIG. 9

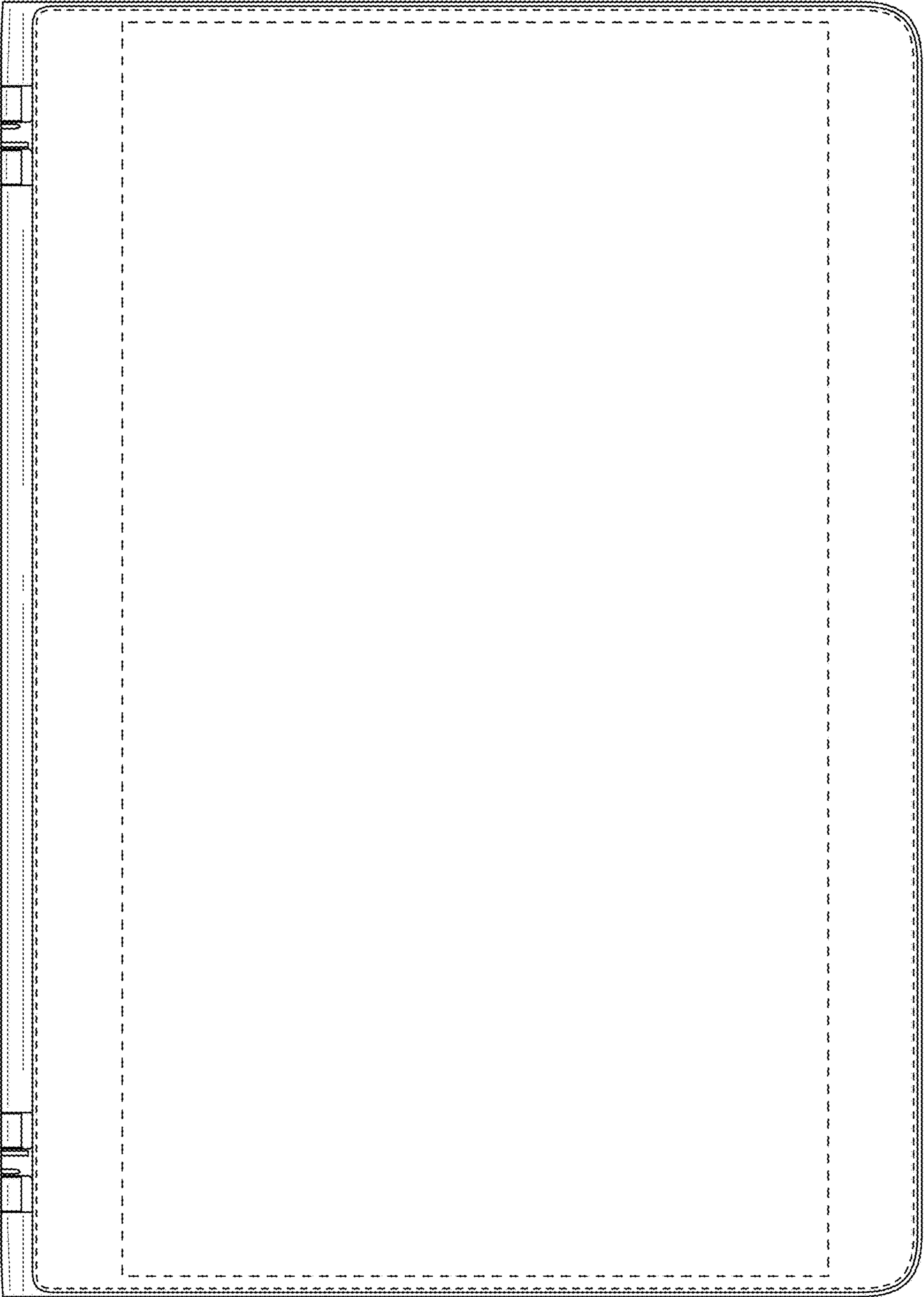


FIG. 10

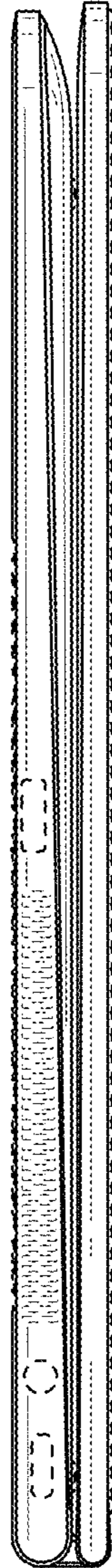


FIG. 11



FIG. 12



FIG. 13

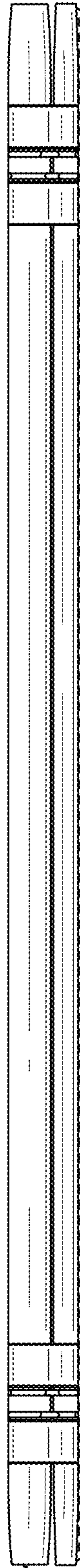


FIG. 14