



US00D806699S

(12) **United States Design Patent** (10) **Patent No.:** **US D806,699 S**  
**Schoenith et al.** (45) **Date of Patent:** **\*\* Jan. 2, 2018**

(54) **COMPUTER CASE**

(71) Applicant: **Incipio, LLC**, Irvine, CA (US)

(72) Inventors: **John M. Schoenith**, Hollywood, CA (US); **Anthony Ahee**, Grosse Pointe Shores, MI (US)

(73) Assignee: **Incipio, LLC**, Irvine, CA (US)

(\*\*) Term: **15 Years**

(21) Appl. No.: **29/563,923**

(22) Filed: **May 9, 2016**

**Related U.S. Application Data**

(63) Continuation of application No. 29/542,461, filed on Oct. 14, 2015, now Pat. No. Des. 759,649, which is a continuation of application No. 29/493,070, filed on Jun. 5, 2014, now Pat. No. Des. 742,871.

(51) **LOC (11) Cl.** ..... **14-02**

(52) **U.S. Cl.**  
USPC ..... **D14/315**

(58) **Field of Classification Search**  
USPC .... D14/315-327, 455, 456; D18/1, 2, 7, 11; 235/145 A, 145 R; 341/22, 23; 345/104, 345/156, 168, 169, 173; 361/679.08, 361/679.09, 679.11, 679.26, 679.27  
CPC ..... G06F 1/16; G06F 1/1616; G06F 1/1626; G06F 1/1632; G06F 1/1613; G06F 1/1601; G06F 1/1618; G06F 1/162; G06F 1/166; G06F 1/1654; G06F 1/1681; G06F 1/1637; G06F 1/1688; H01R 35/02; H03M 11/00; G09B 13/04; H03K 17/94; G09G 5/00; F16M 11/10; H05K 5/00; H04M 1/0237

See application file for complete search history.

(56) **References Cited**

U.S. PATENT DOCUMENTS

6,771,494	B2 *	8/2004	Shimano .....	G06F 1/1616 345/173
D591,283	S *	4/2009	Luminosu .....	D14/318
D616,881	S *	6/2010	Andre .....	D14/318
D673,559	S *	1/2013	Yang .....	D14/318
D676,042	S *	2/2013	McManigal .....	D14/318
D680,117	S *	4/2013	Ho .....	D14/318
D729,227	S *	5/2015	Fukuoka .....	D14/318
D742,871	S *	11/2015	Schoenith .....	D14/315
D743,958	S *	11/2015	Goh .....	D14/315
D759,649	S *	6/2016	Schoenith .....	D14/315
2009/0154084	A1 *	6/2009	Goto .....	G06F 1/1616 361/679.08
2011/0043985	A1 *	2/2011	Yang .....	G06F 1/1662 361/679.02
2011/0255727	A1 *	10/2011	Azuchi .....	G06F 1/1616 381/333

\* cited by examiner

*Primary Examiner* — Freda S Nunn

(74) *Attorney, Agent, or Firm* — Manatt, Phelps & Phillips, LLP

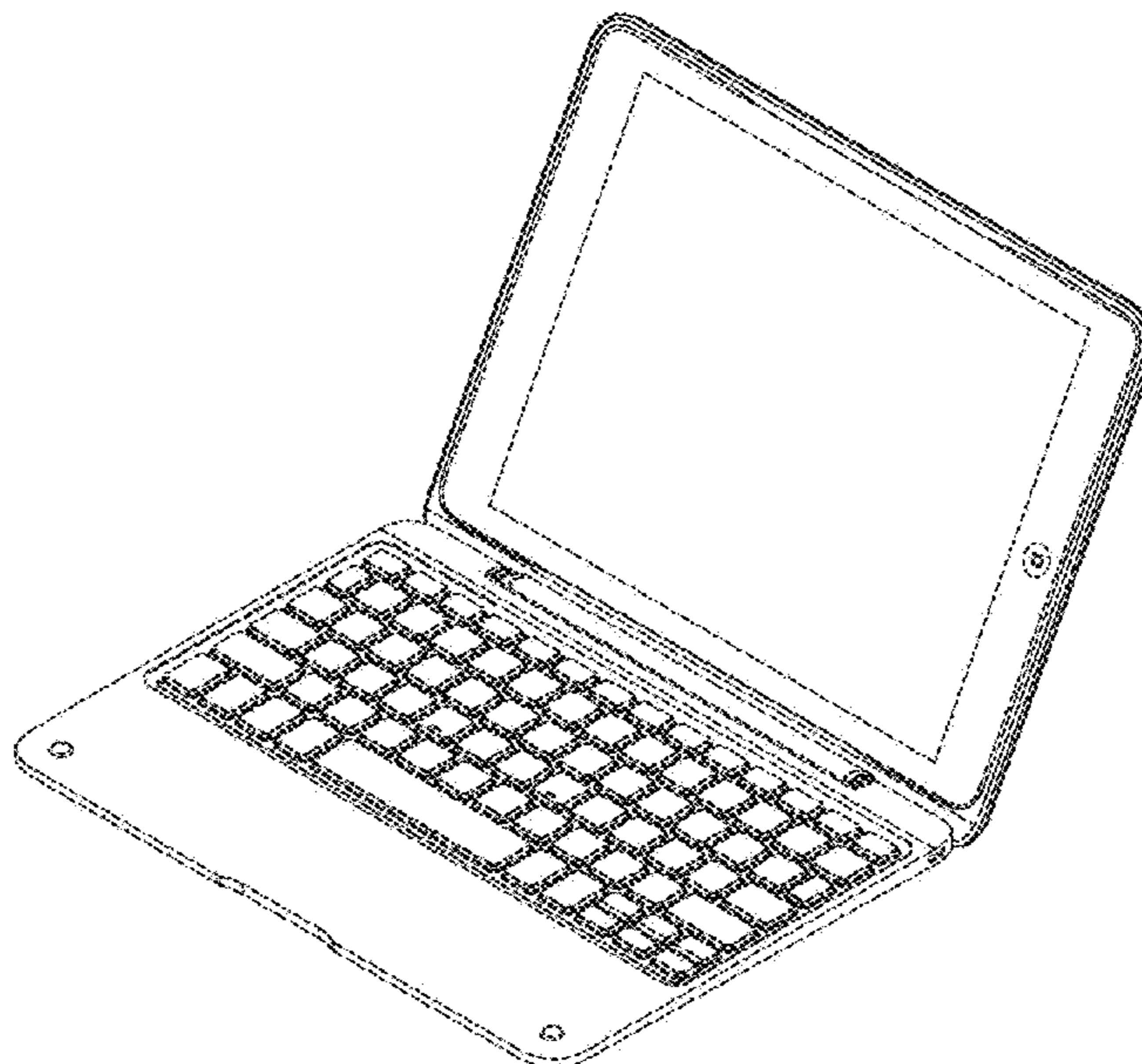
(57) **CLAIM**

The ornamental design for a computer case, as shown and described.

**DESCRIPTION**

FIG. 1 is a perspective view of a computer case.  
FIG. 2 is a front elevational view thereof.  
FIG. 3 is a rear elevational view thereof.  
FIG. 4 is a top view thereof.  
FIG. 5 is a bottom view thereof.  
FIG. 6 is a side view thereof; and,  
FIG. 7 is an opposite side view thereof.  
The broken lines shown in the drawings are for environment only and form no part of the claimed design.

**1 Claim, 6 Drawing Sheets**



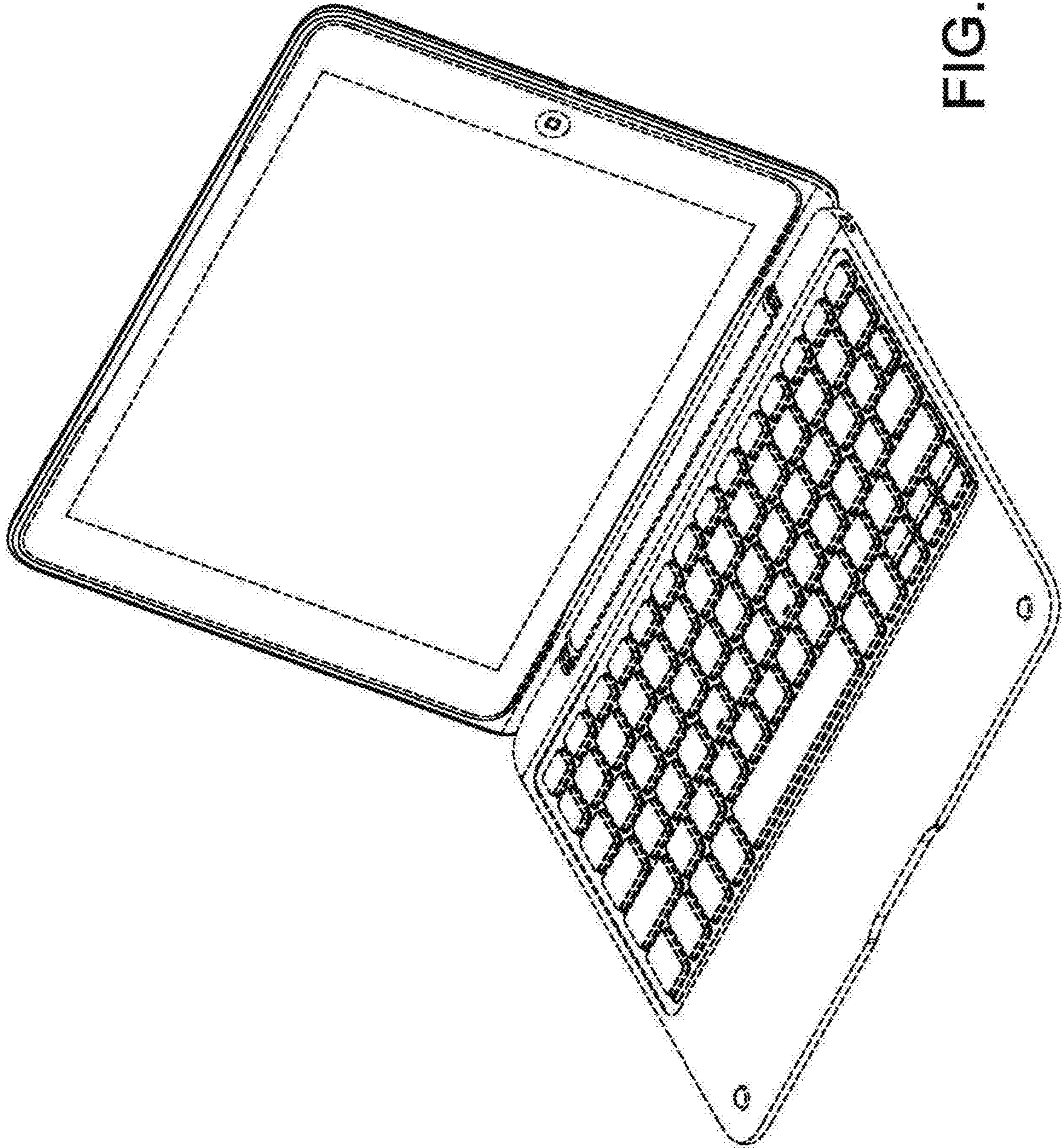


FIG. 1



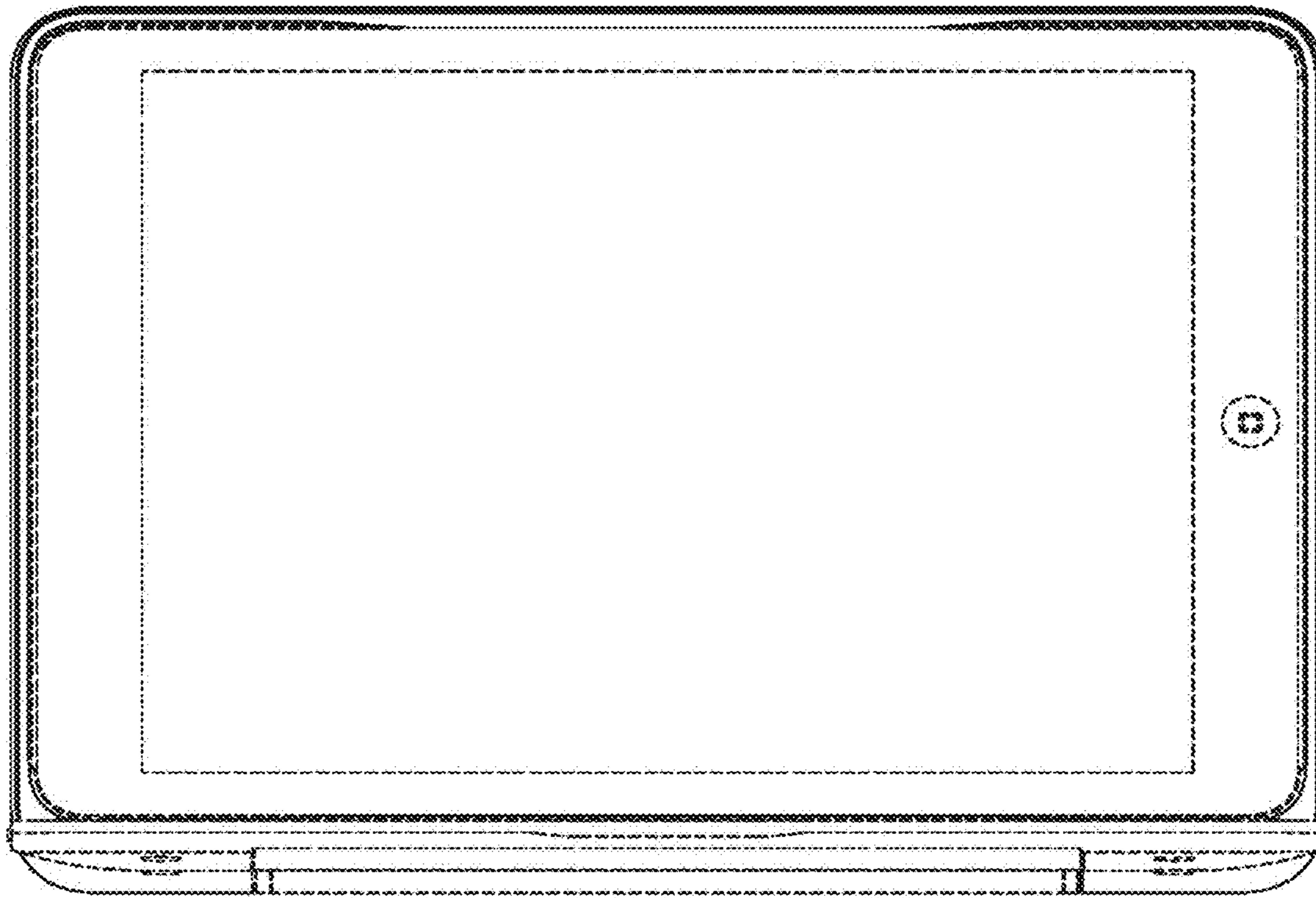


FIG. 2

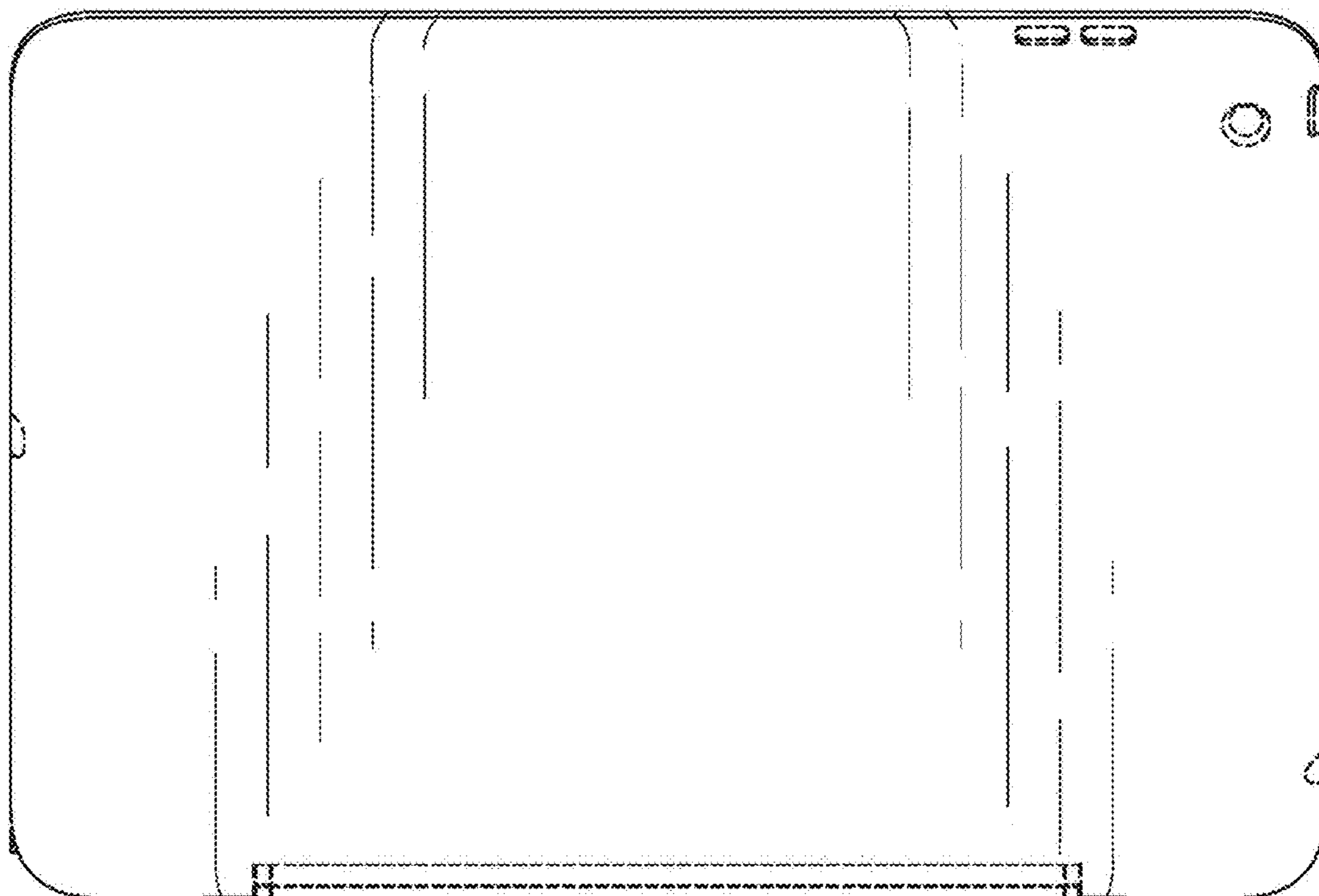


FIG. 3

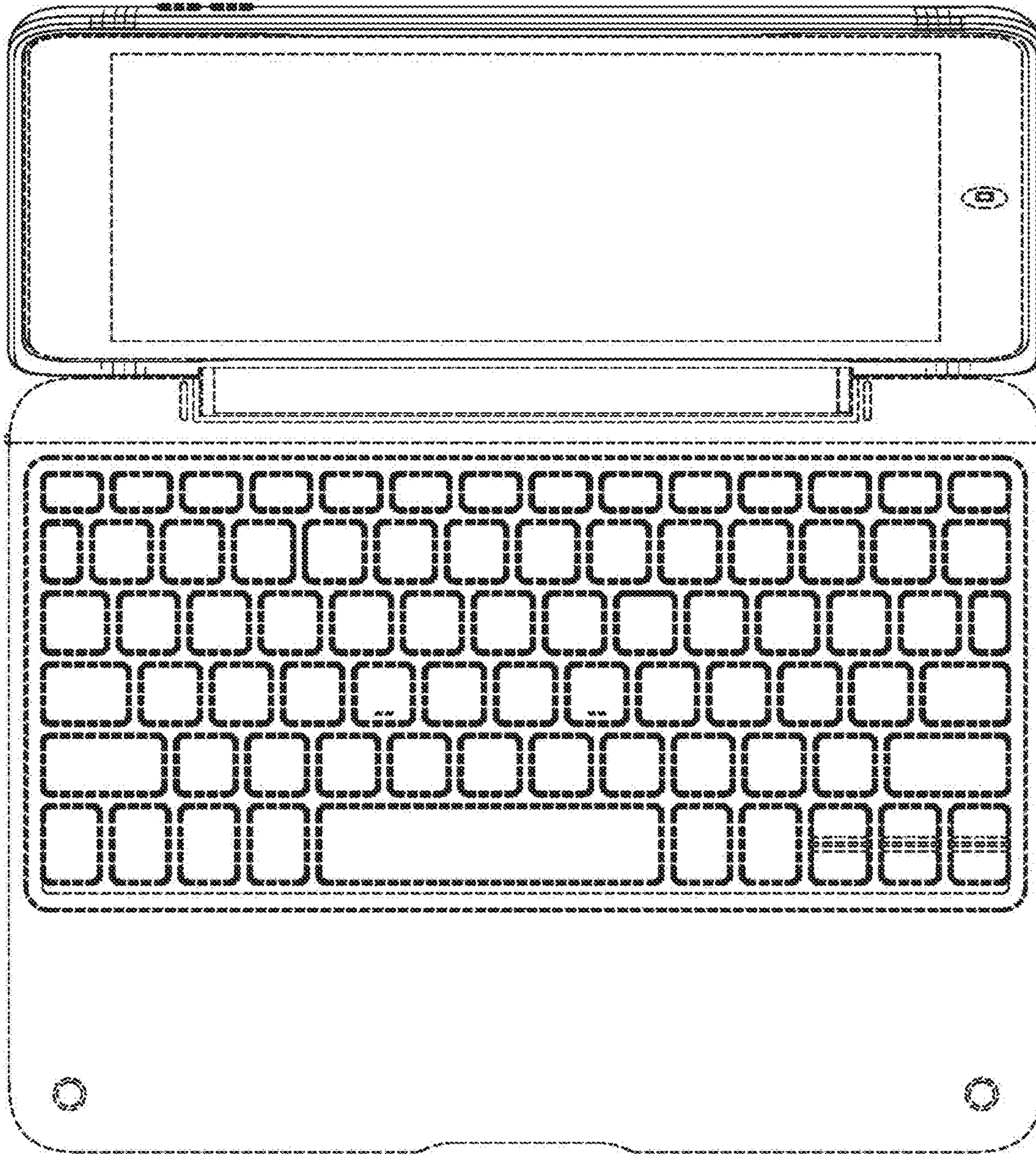


FIG. 4

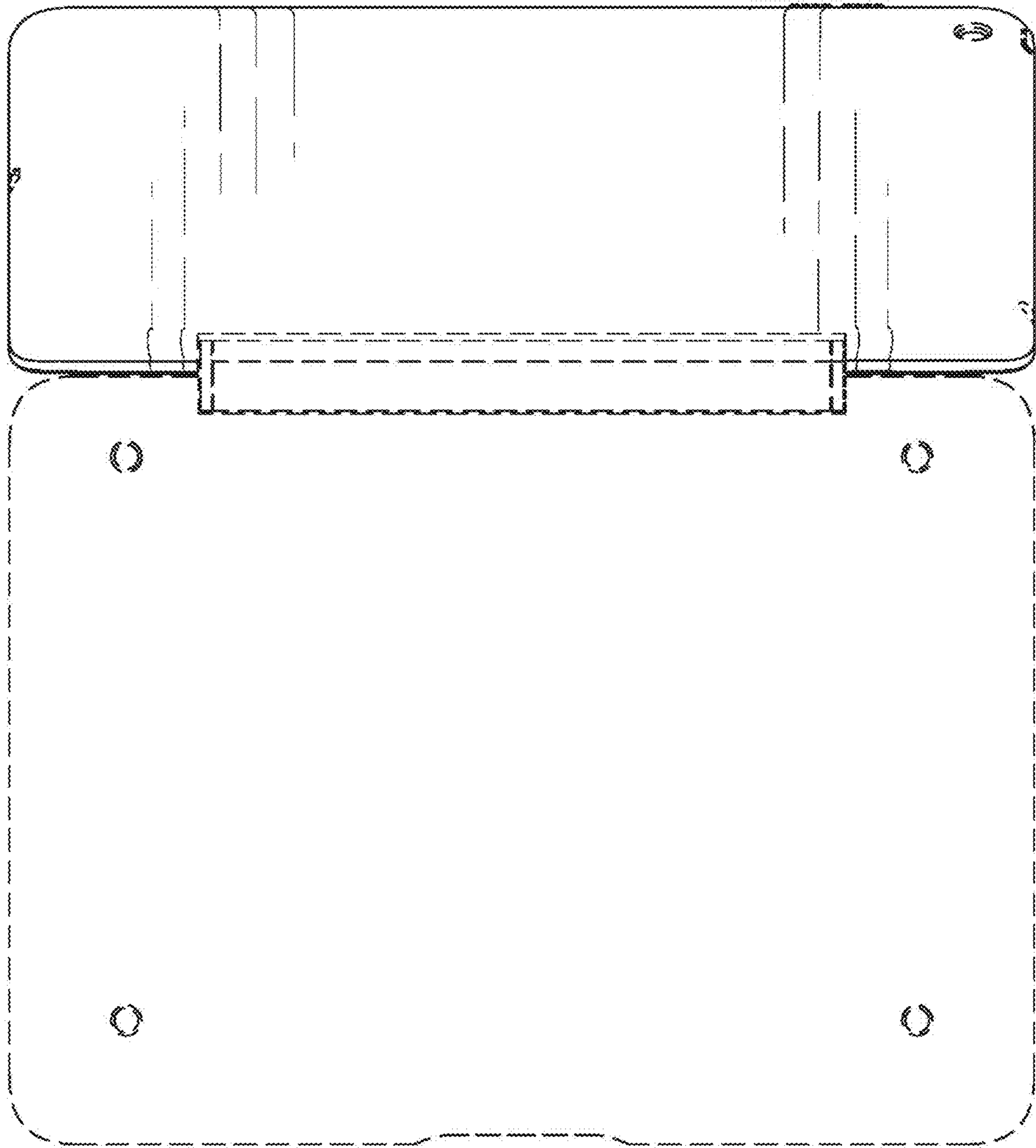


FIG. 5

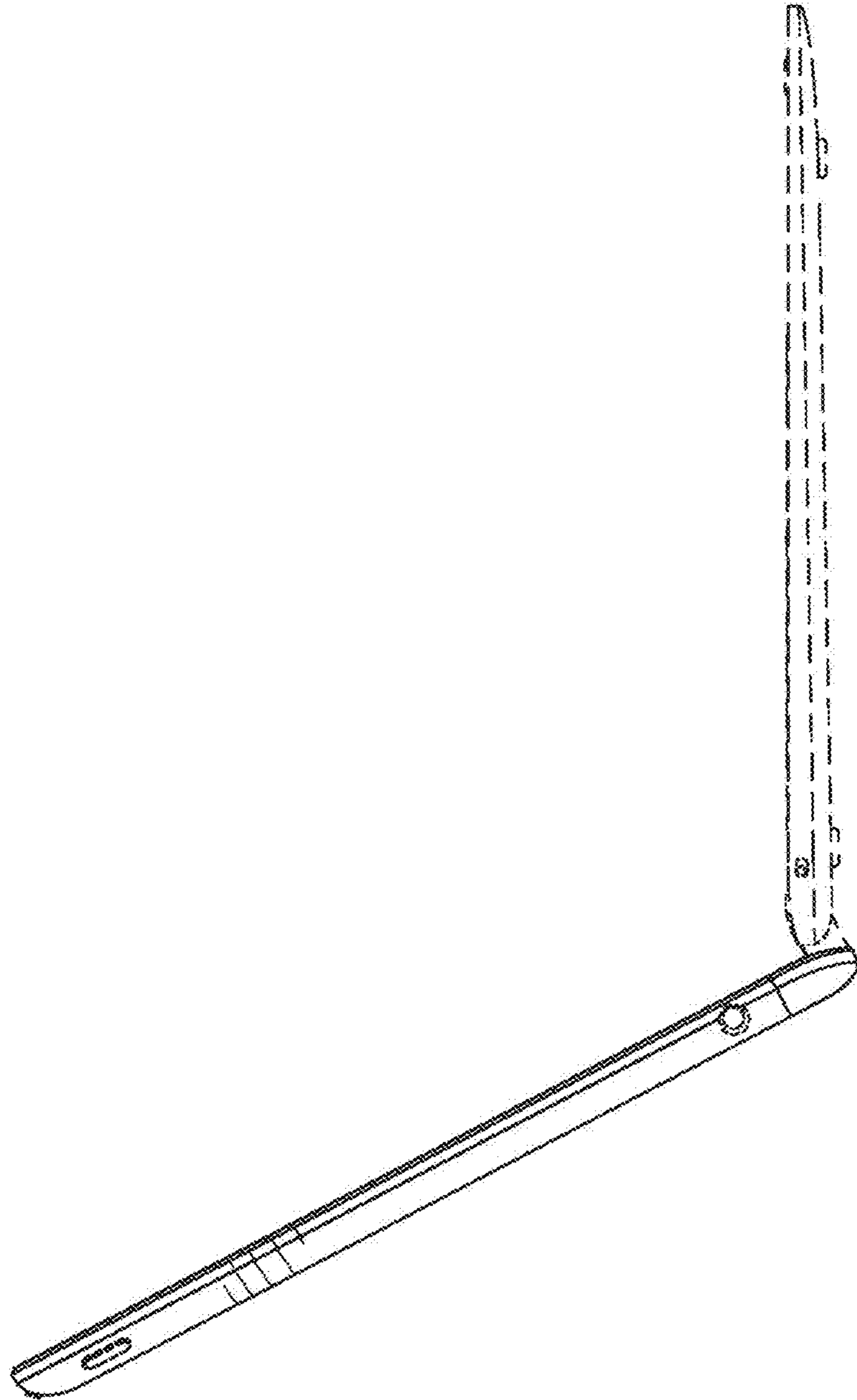


Fig-6

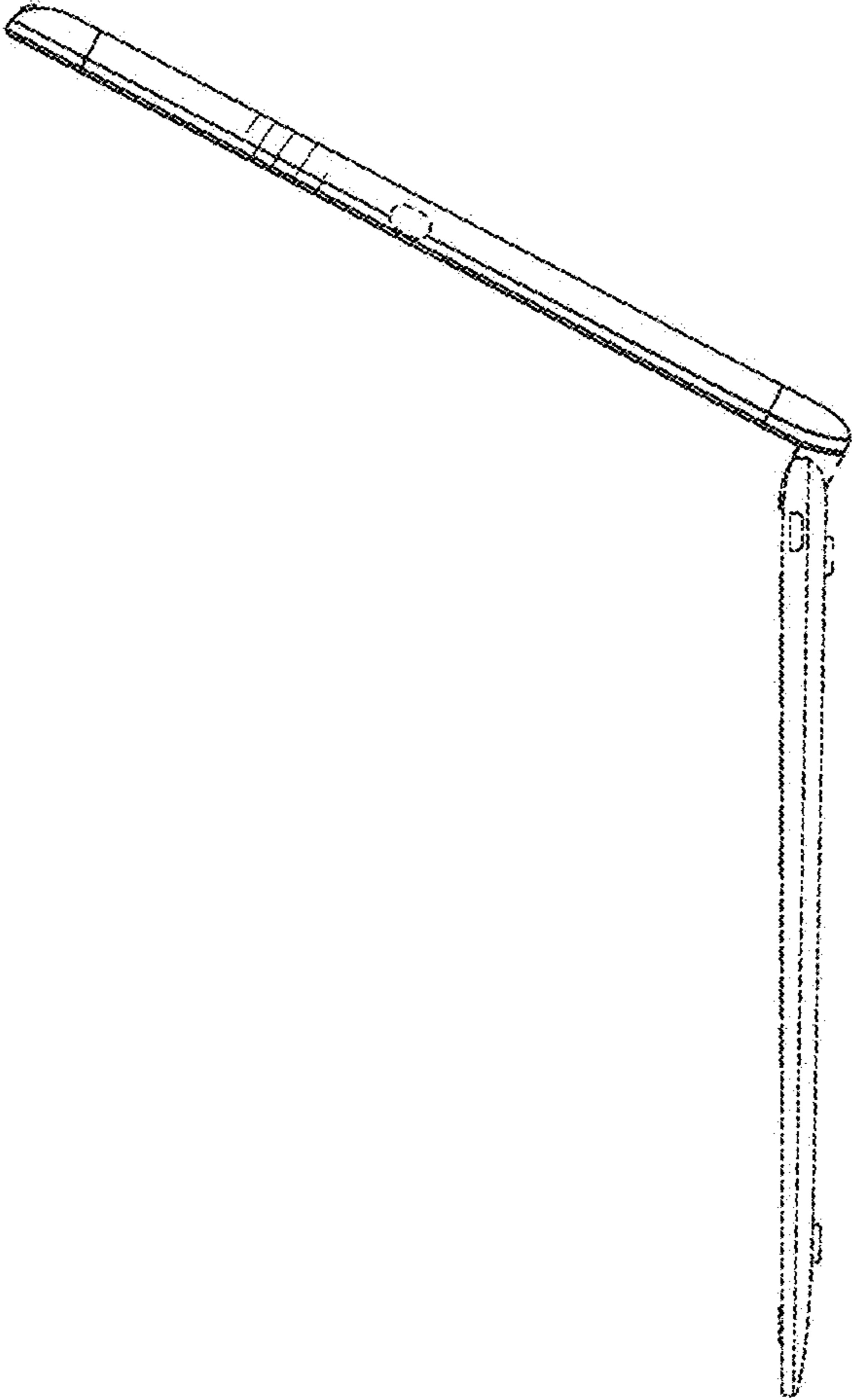


Fig-7