



US00D806698S

(12) **United States Design Patent**  
**Thompson**

(10) **Patent No.:** **US D806,698 S**  
(45) **Date of Patent:** **\*\* Jan. 2, 2018**

- (54) **LOTTERY TICKET CHECKER TERMINAL**
- (71) Applicant: **Scientific Games International, Inc.**,  
Newark, DE (US)
- (72) Inventor: **Mark Andrew Thompson**, Buford, GA  
(US)
- (73) Assignee: **Scientific Games International, Inc.**,  
Newark, DE (US)

D693,803 S *	11/2013	Colley .....	D14/307
D695,285 S *	12/2013	Smith .....	D14/307
D704,275 S	5/2014	Lesley et al.	
D707,674 S *	6/2014	Daniel .....	D14/307
D712,975 S	9/2014	Lesley et al.	
D732,522 S *	6/2015	Chadbourne .....	D14/307
D734,314 S *	7/2015	Swainel .....	D14/307
D763,247 S *	8/2016	Yepez .....	D14/307
D782,466 S *	3/2017	Yepez .....	D14/307

(\*\*) Term: **15 Years**

(21) Appl. No.: **29/589,248**

(22) Filed: **Dec. 29, 2016**

(51) **LOC (11) Cl.** ..... **14-02**

(52) **U.S. Cl.**  
USPC ..... **D14/307**

(58) **Field of Classification Search**  
USPC ..... D14/302-307, 900-902; D13/163;  
D20/10; D21/332, 325, 369, 370;  
D99/28; D6/397, 466; 194/206;  
361/679.01, 679.02, 679.04, 679.21,  
361/679.57, 725  
CPC ..... G06Q 20/18; G06Q 20/10; G06Q 20/123;  
G06Q 20/20; G06Q 30/02; G06Q 30/06;  
A47F 9/047

See application file for complete search history.

(56) **References Cited**

**U.S. PATENT DOCUMENTS**

8,113,429 B2 *	2/2012	Craig .....	G06K 7/10881 235/462.32
D661,293 S *	6/2012	Kuroda .....	D14/307
D676,038 S *	2/2013	Masuda .....	D14/307
D681,030 S *	4/2013	Yepez .....	D14/307
D690,293 S *	9/2013	Wilson .....	D14/307
D691,141 S *	10/2013	Cruz .....	D14/307

\* cited by examiner

*Primary Examiner* — Austin Murphy

(74) *Attorney, Agent, or Firm* — Dority & Manning, P.A.

(57) **CLAIM**

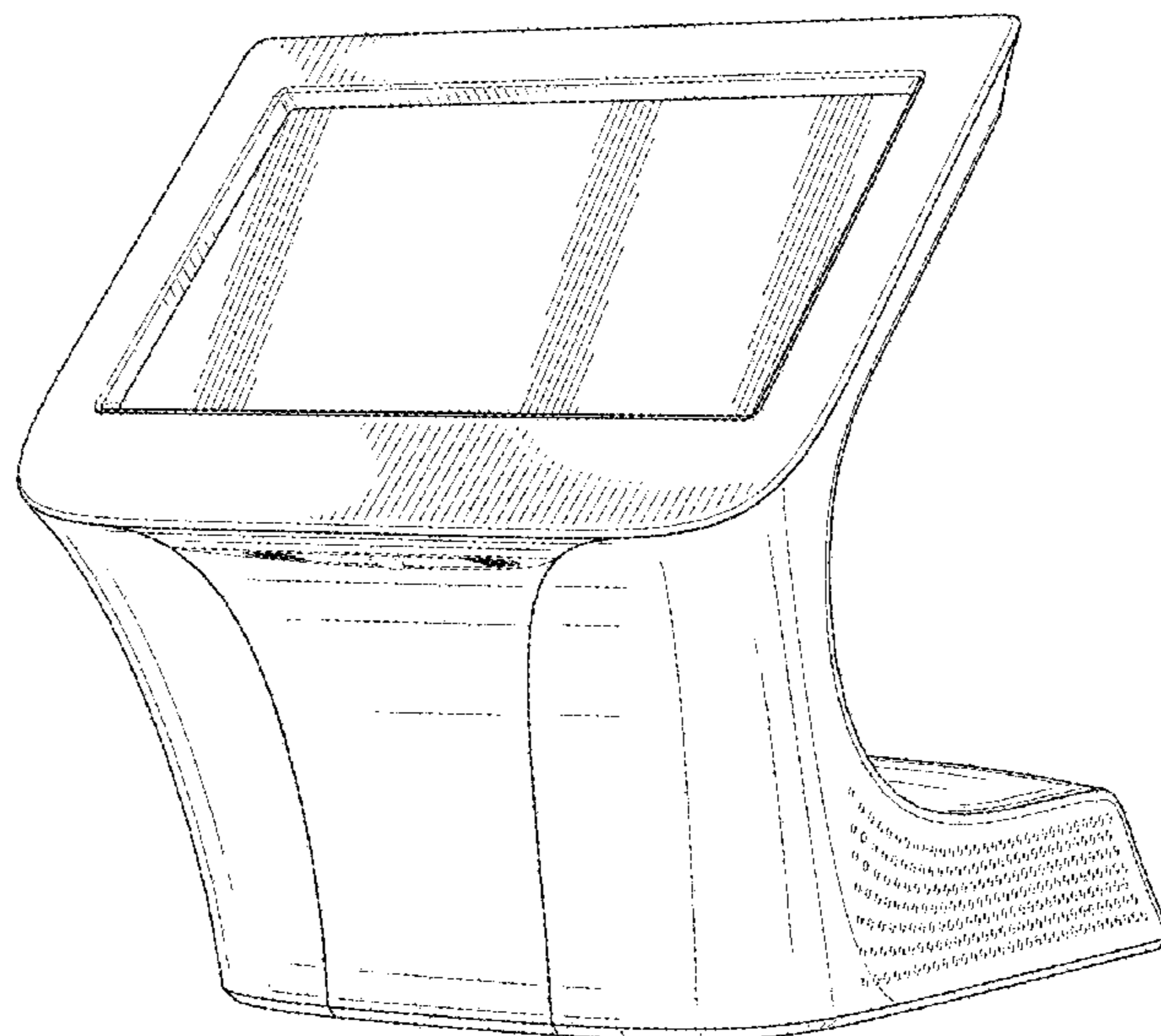
The ornamental design for a lottery ticket checker terminal, as shown and described.

**DESCRIPTION**

FIG. 1 is a front and side perspective view of a lottery ticket checker terminal according to the present design;  
 FIG. 2 is a back and side perspective view of the lottery ticket checker terminal of FIG. 1;  
 FIG. 3 is a front view of the lottery ticket checker terminal of FIG. 1;  
 FIG. 4 is a back view of the lottery ticket checker terminal of FIG. 1;  
 FIG. 5 is a left side view of the lottery ticket checker terminal of FIG. 1;  
 FIG. 6 is right side view of the lottery ticket checker terminal of FIG. 1;  
 FIG. 7 is a top view of the lottery ticket checker terminal of FIG. 1; and,  
 FIG. 8 is a bottom view of the lottery ticket checker terminal of FIG. 1

The claimed design comprises the elements shown in solid lines, the elements shown in dotted lines forming no part of the claimed design.

**1 Claim, 8 Drawing Sheets**



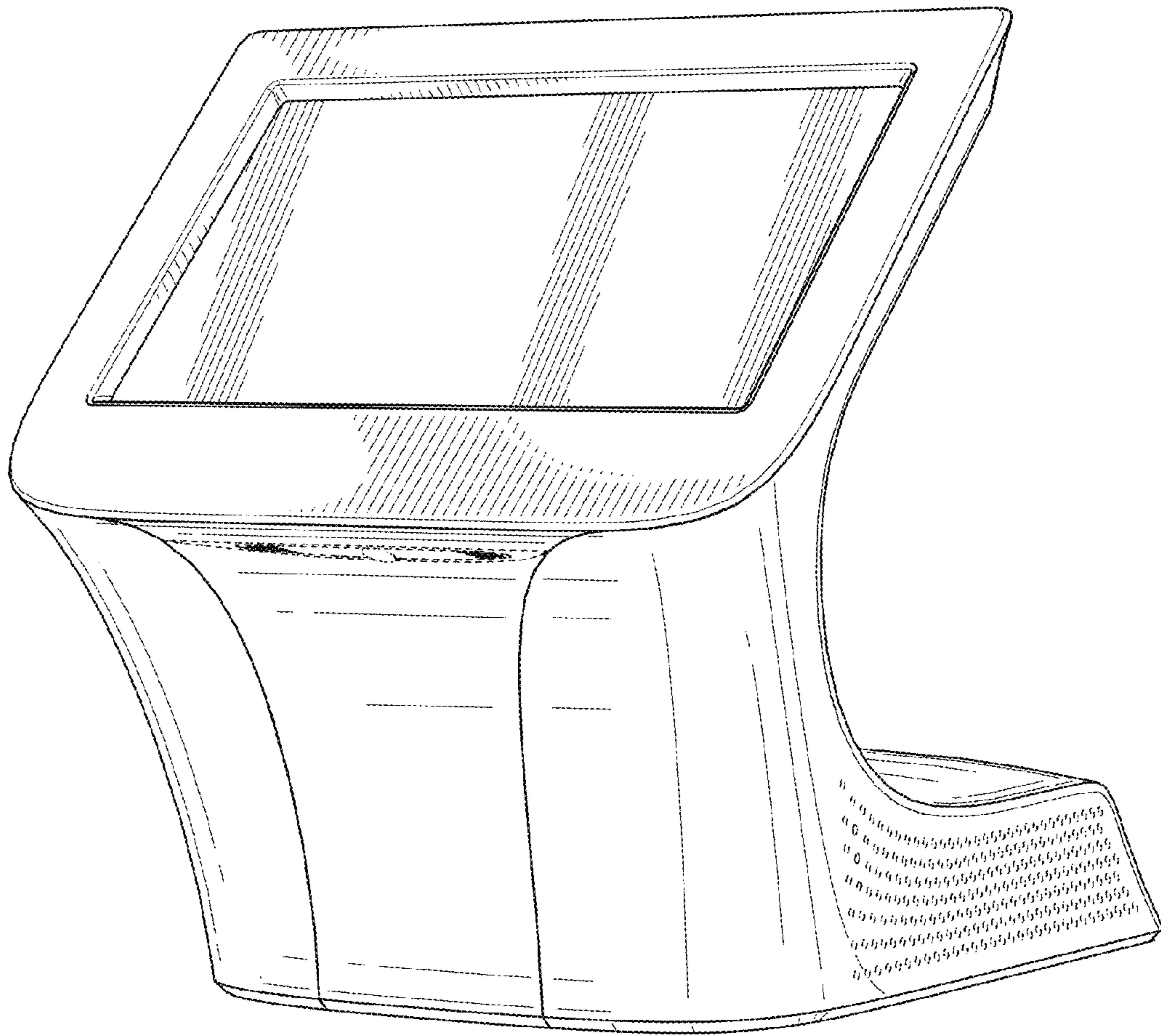


FIG. 1

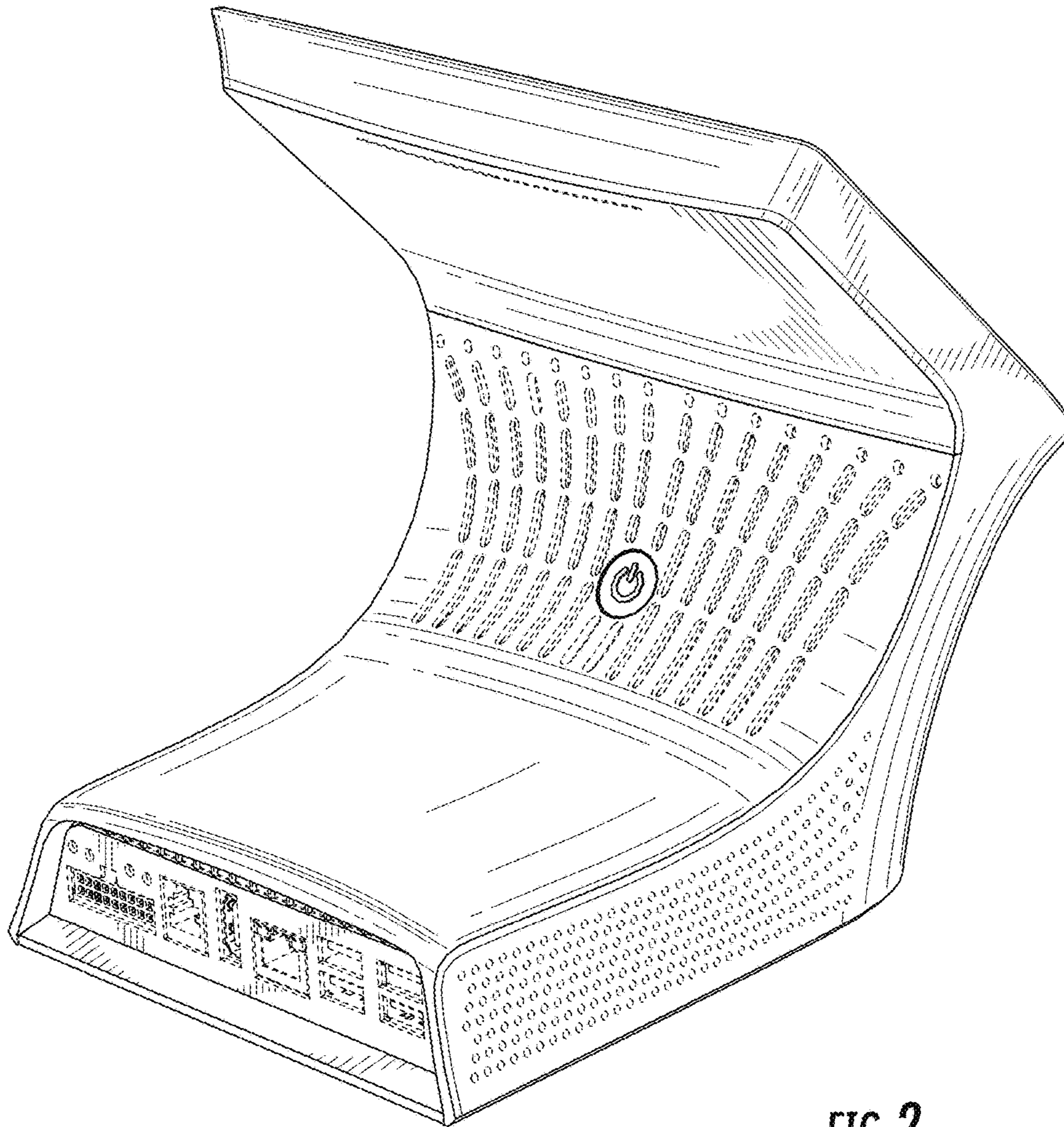


FIG. 2



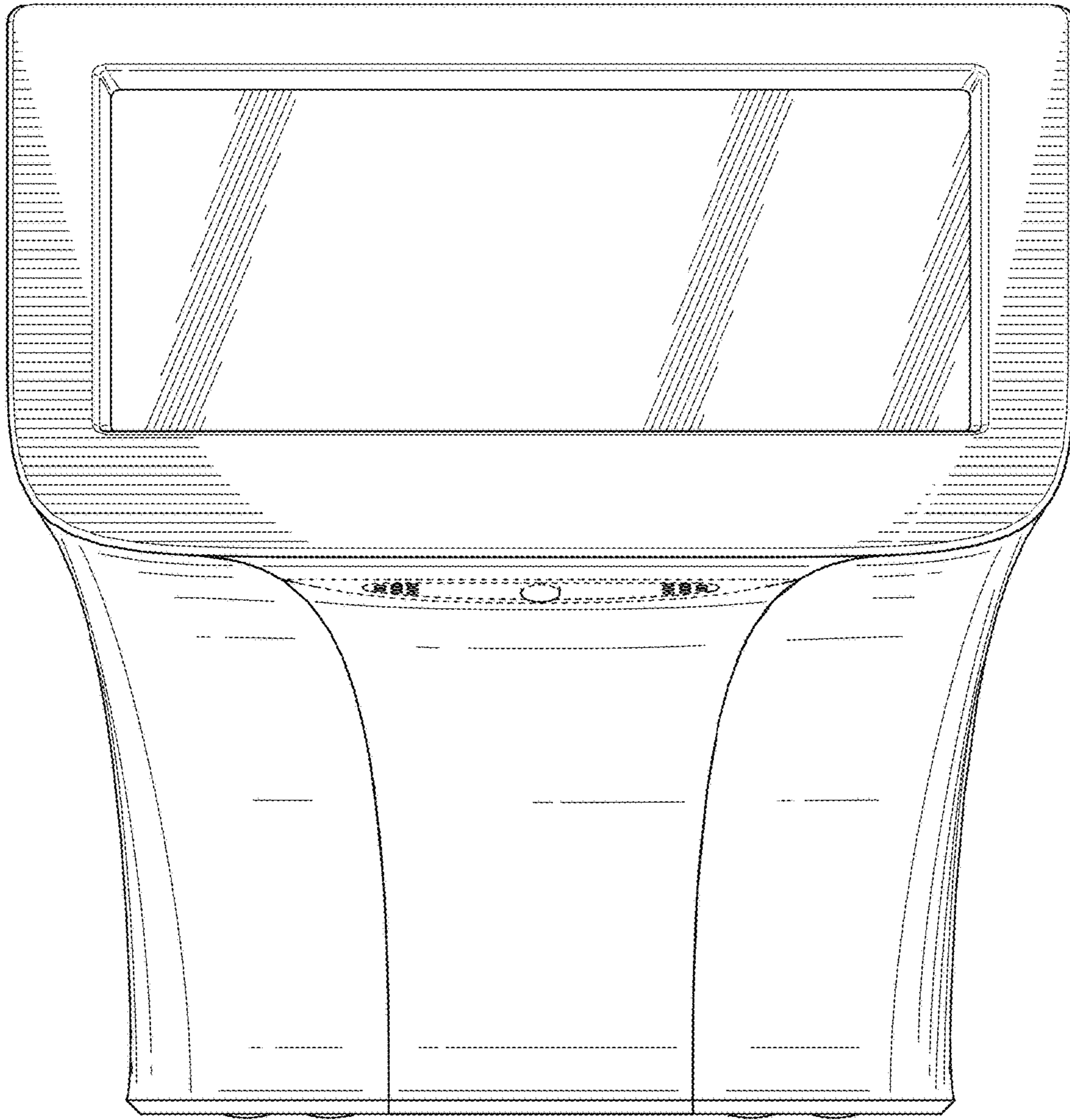


FIG. 3

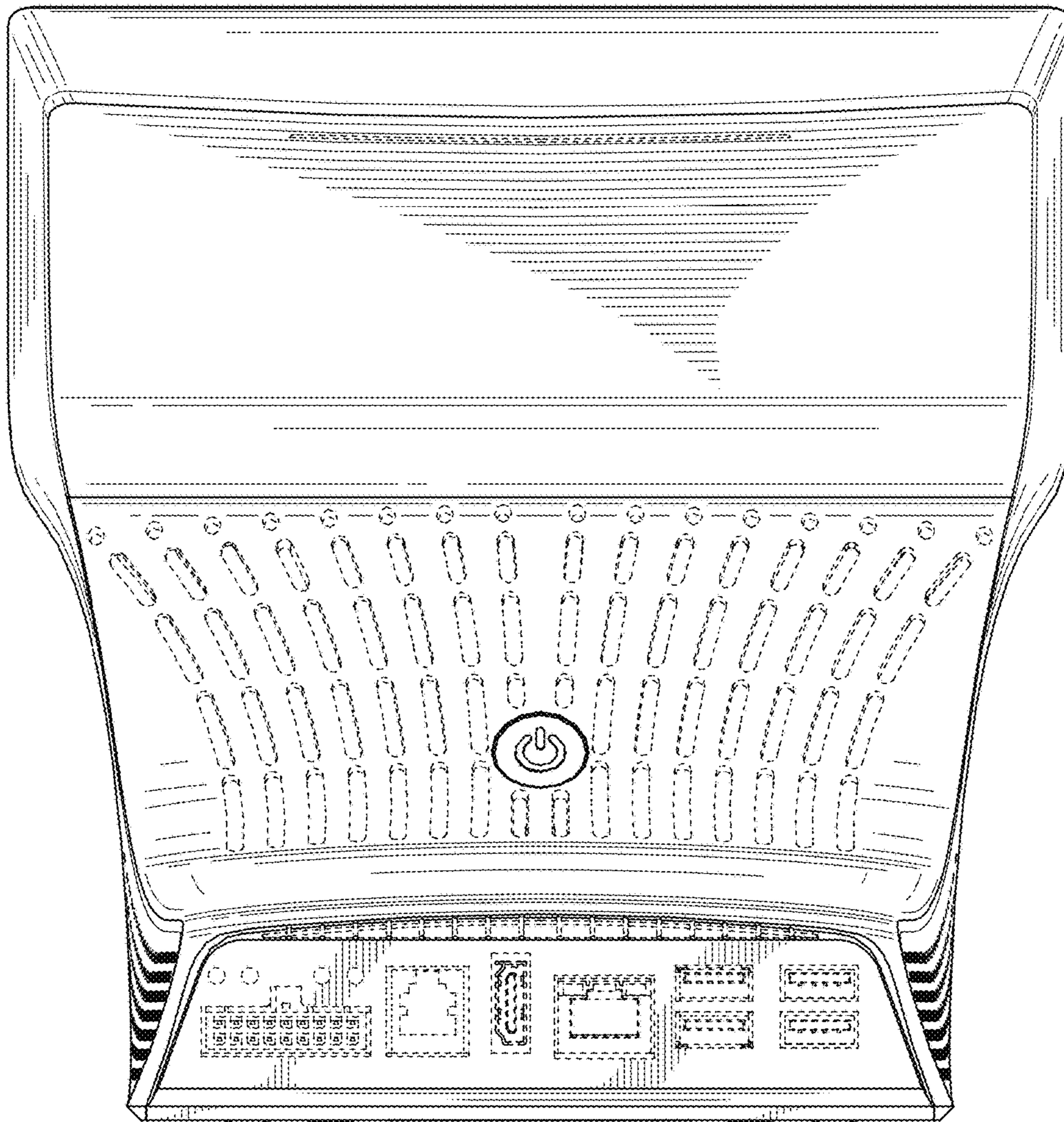


FIG. 4

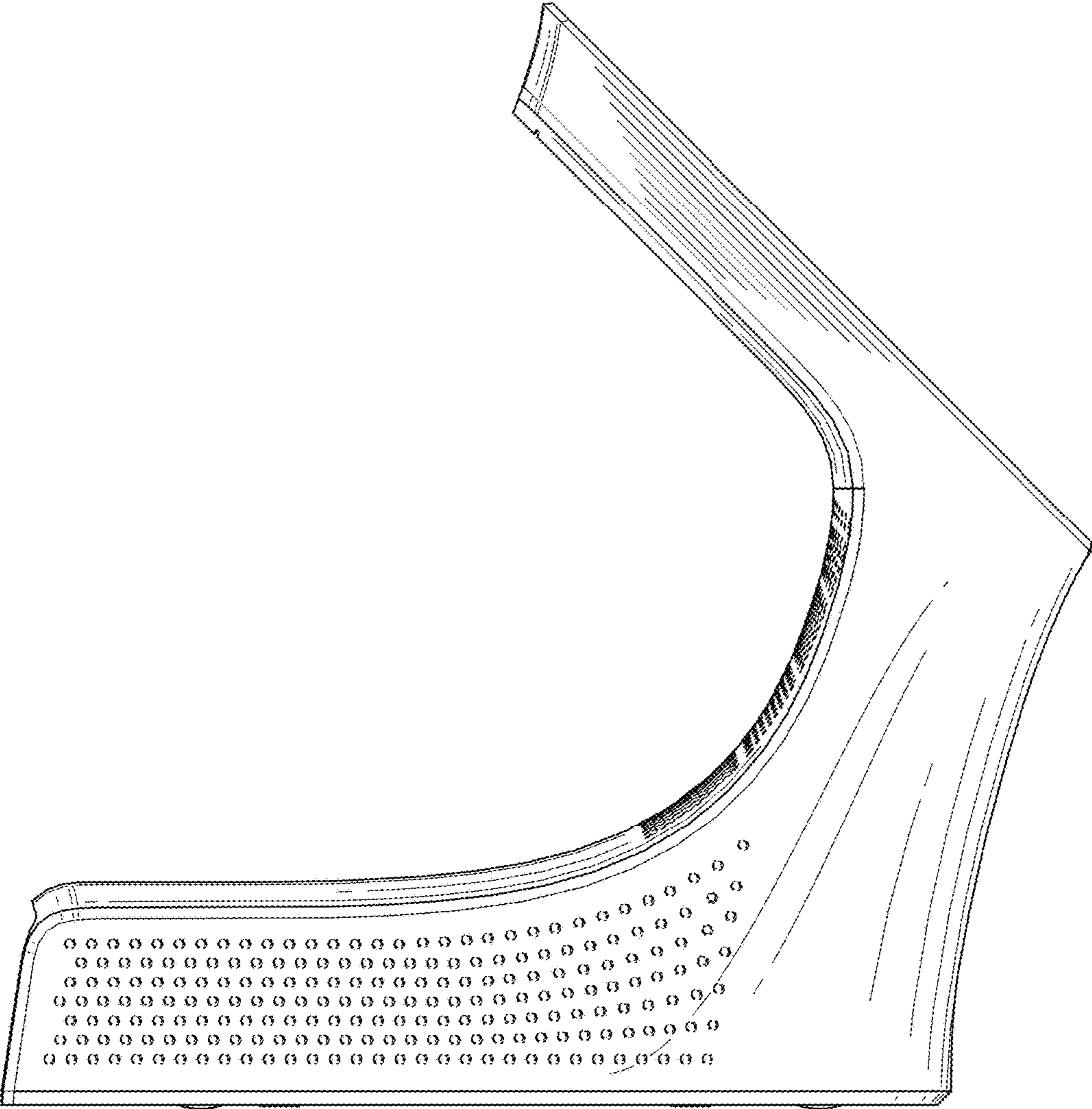


FIG. 5

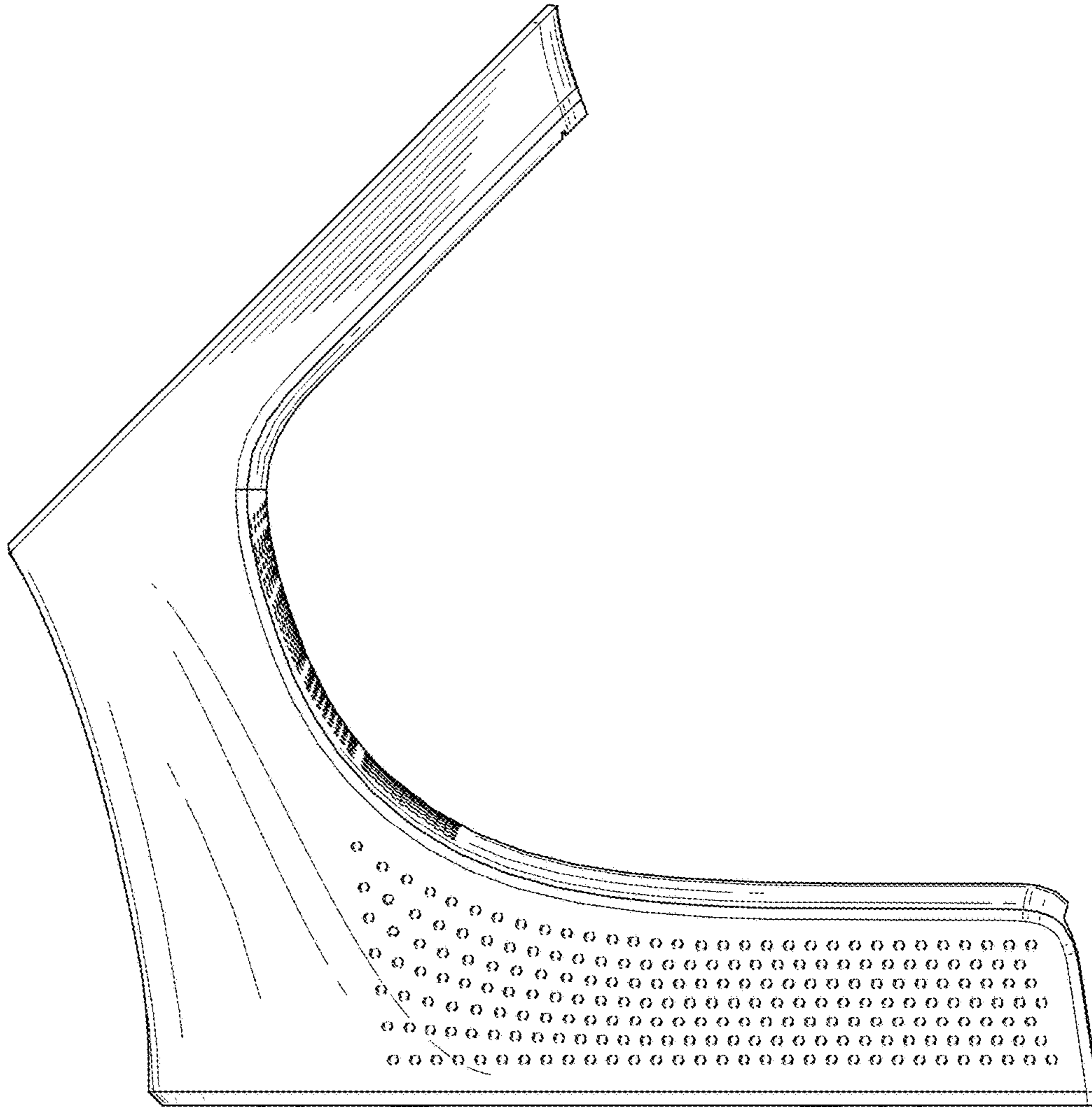


FIG. 6



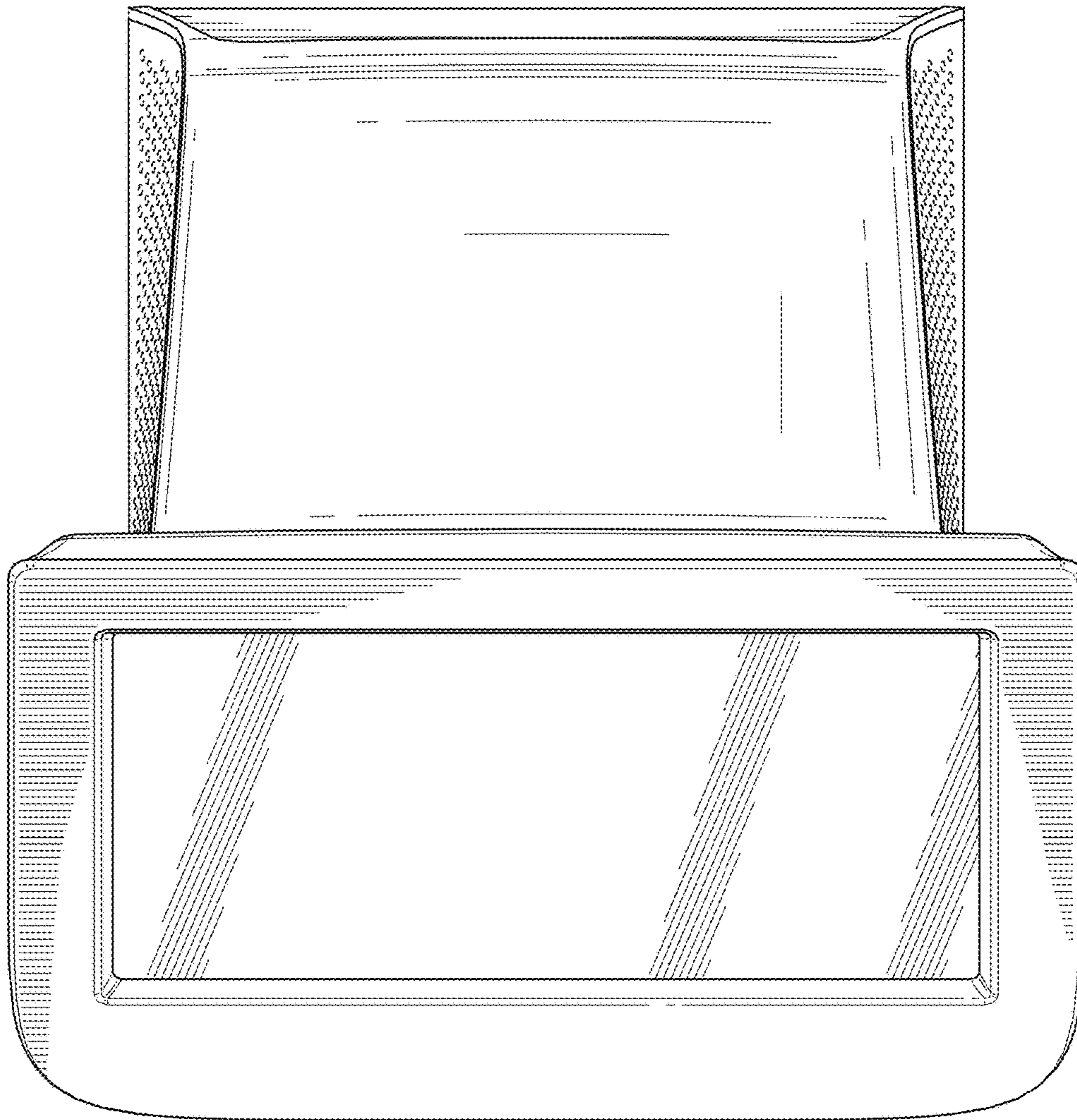


FIG. 7



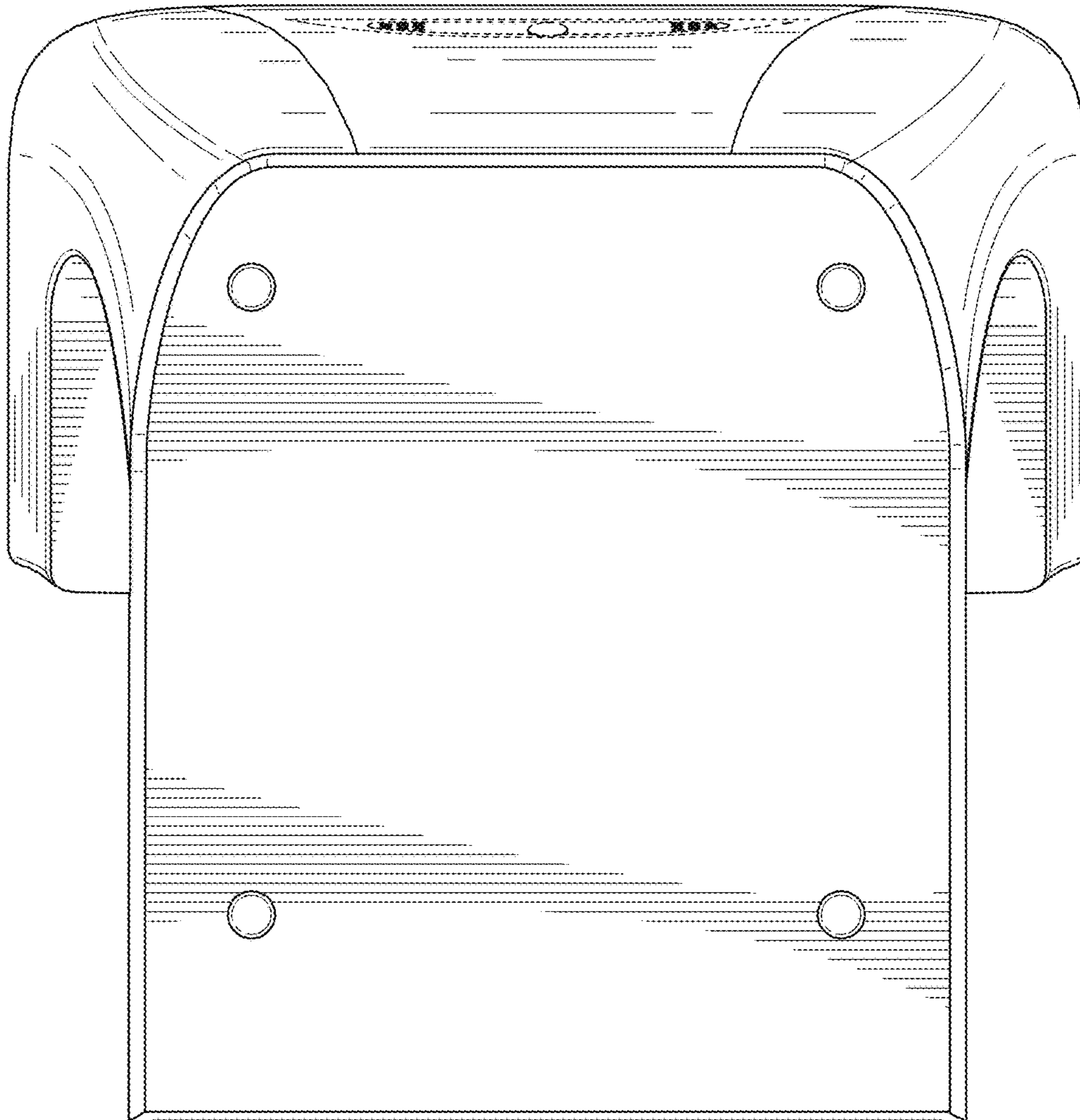


FIG. 8