



US00D806697S

(12) **United States Design Patent** (10) **Patent No.:** **US D806,697 S**
McClelland et al. (45) **Date of Patent:** **** Jan. 2, 2018**

(54) **HYBRID SERVER**

7/00; H05H 7/20; G11B 33/126; G11B 33/128; G11B 33/08; G11B 33/02

(71) Applicant: **Hewlett Packard Enterprise Development LP**, Houston, TX (US)

See application file for complete search history.

(72) Inventors: **Belgie B. McClelland**, Houston, TX (US); **Earl W. Moore**, Cypress, TX (US); **Stephen Spencer**, Pensacola, FL (US); **Gerald McLeod Glass, Jr.**, Klein, TX (US); **Steven Dale Chatham**, Taipei (TW); **Minal Santhosh**, Cypress, TX (US)

(56) **References Cited**

U.S. PATENT DOCUMENTS

D314,953 S *	2/1991	Welch	D14/445
D345,733 S *	4/1994	Aderman	D14/445
D360,411 S *	7/1995	Sharp	D14/445
D493,465 S *	7/2004	Dearborn	D14/432
D536,674 S *	2/2007	Millar	D13/184
D577,719 S *	9/2008	Kobeli	D14/300
D661,696 S *	6/2012	Takada	D14/240
D727,922 S *	4/2015	Woodruff	D14/445

* cited by examiner

(73) Assignee: **Hewlett Packard Enterprise Development LP**, Houston, TX (US)

Primary Examiner — Freda S Nunn

(**) Term: **15 Years**

(74) *Attorney, Agent, or Firm* — International IP Law Group, PLLC

(21) Appl. No.: **29/576,076**

(22) Filed: **Aug. 31, 2016**

(51) **LOC (11) Cl.** **14-02**

(52) **U.S. Cl.**
USPC **D14/301; D14/441**

(57) **CLAIM**

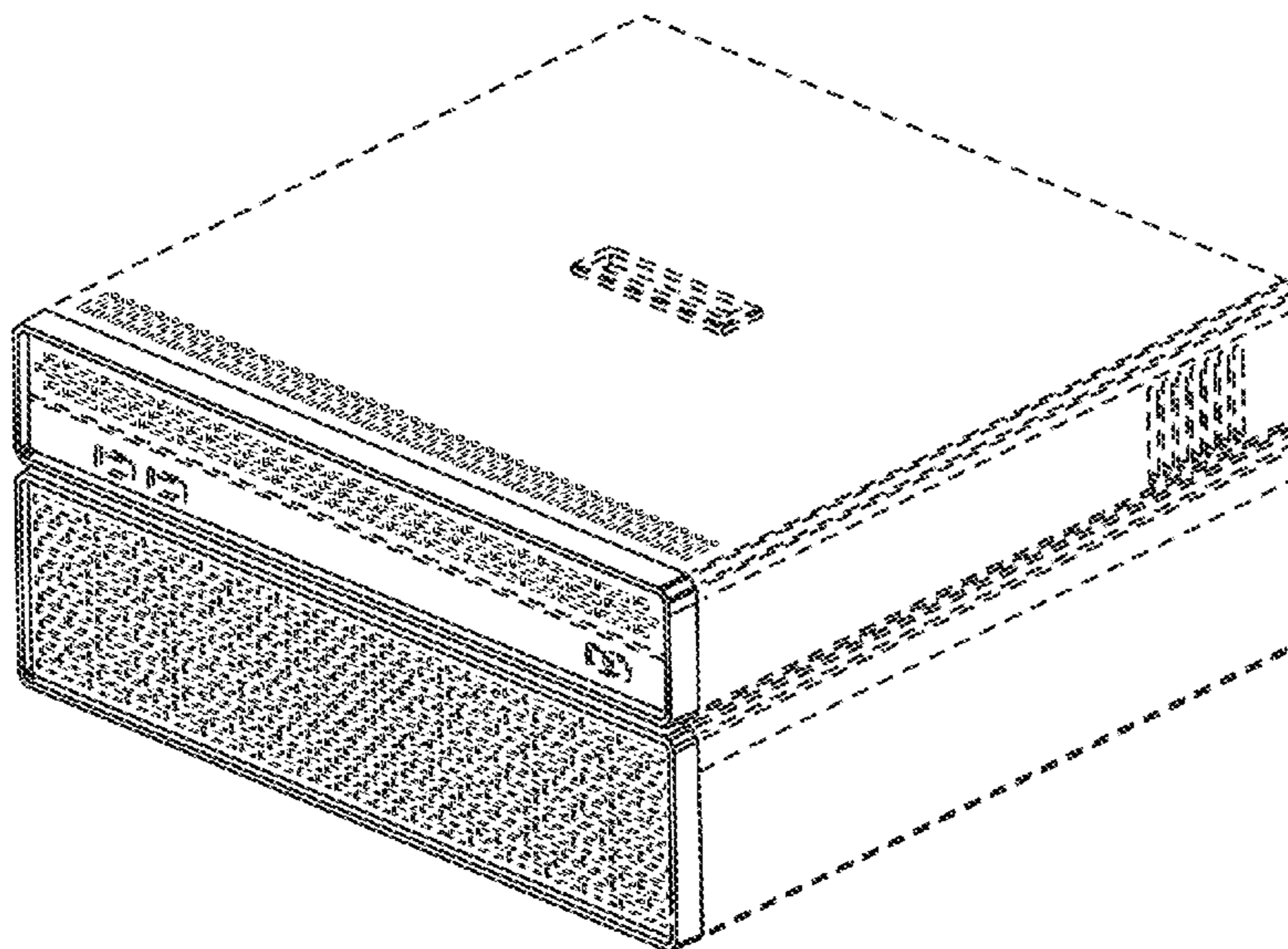
The ornamental design for a hybrid server, as shown and described.

(58) **Field of Classification Search**
USPC D14/240, 300, 301, 308, 313, 314, D14/348-356, 364-368, 441-446, 188; D13/123, 158, 162, 184, 199; 312/223.1-223.3, 351.11; 360/99.01-99.12; 369/34.01-36.01; 361/679.31-679.33, 679.37, 679.39, 361/679.46, 679.53, 679.4, 679.41, 727
CPC . G06F 1/20; G06F 1/181; G06F 1/187; G06F 1/183; G06F 1/184; G06F 1/16; H05K 7/16; H05K 7/1424; H05K 7/1409; H05K 7/20; H05K 7/20545; H05K 7/20727; H05K 7/1425; H05K 7/1488; H05K 7/183; H05K 7/14; H05K 5/00; H05K

DESCRIPTION

FIG. 1 is a front view of a hybrid server;
FIG. 2 is a rear view of a hybrid server;
FIG. 3 is a left side view of a hybrid server;
FIG. 4 is a right side view of a hybrid server;
FIG. 5 is a top view of a hybrid server;
FIG. 6 is a bottom view of a hybrid server;
FIG. 7 is a front perspective view of a hybrid server; and,
FIG. 8 is a rear perspective view of a hybrid server.
The broken lines shown represent unclaimed subject matter and form no part of the claimed design.

1 Claim, 8 Drawing Sheets



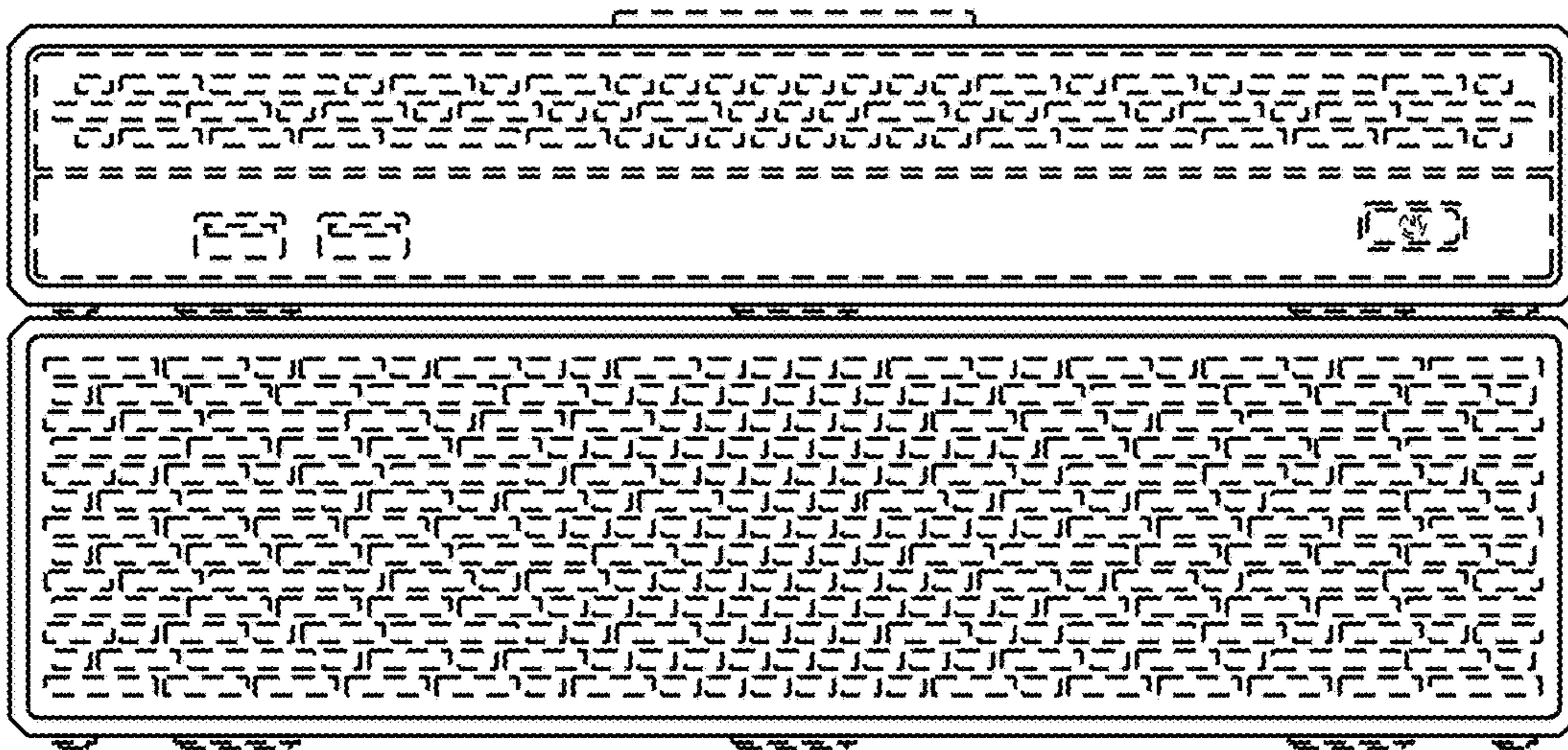


FIG. 1

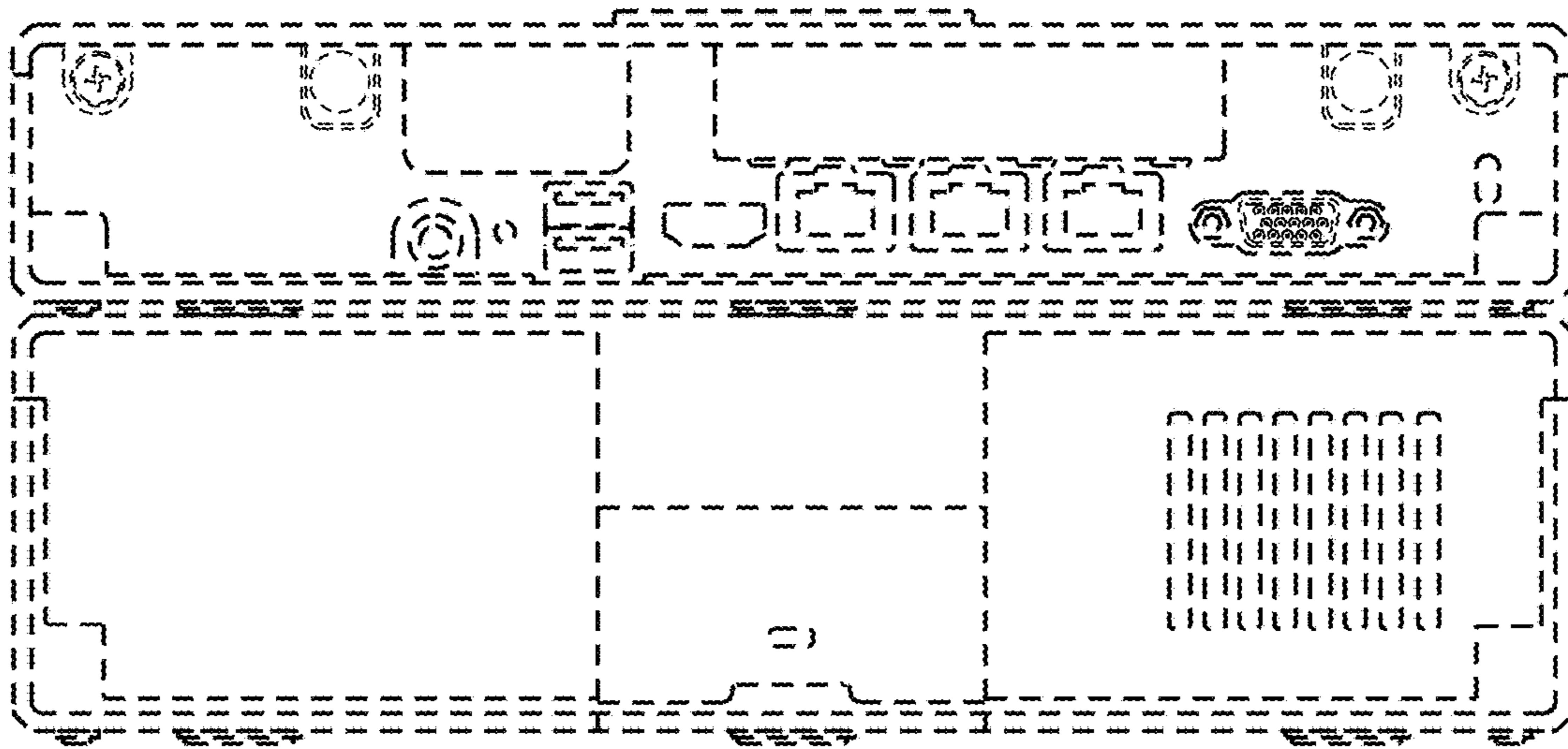


FIG. 2

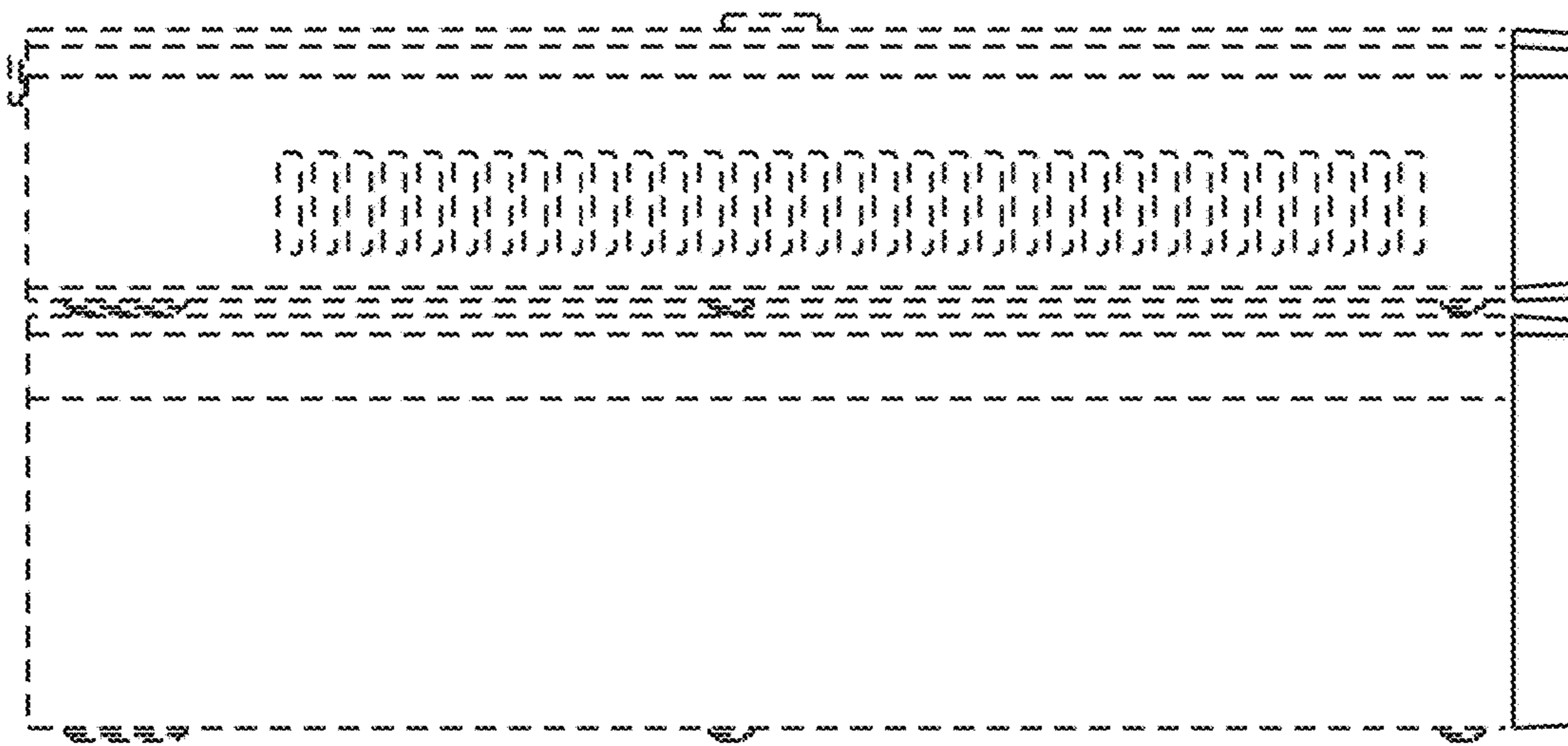


FIG. 3

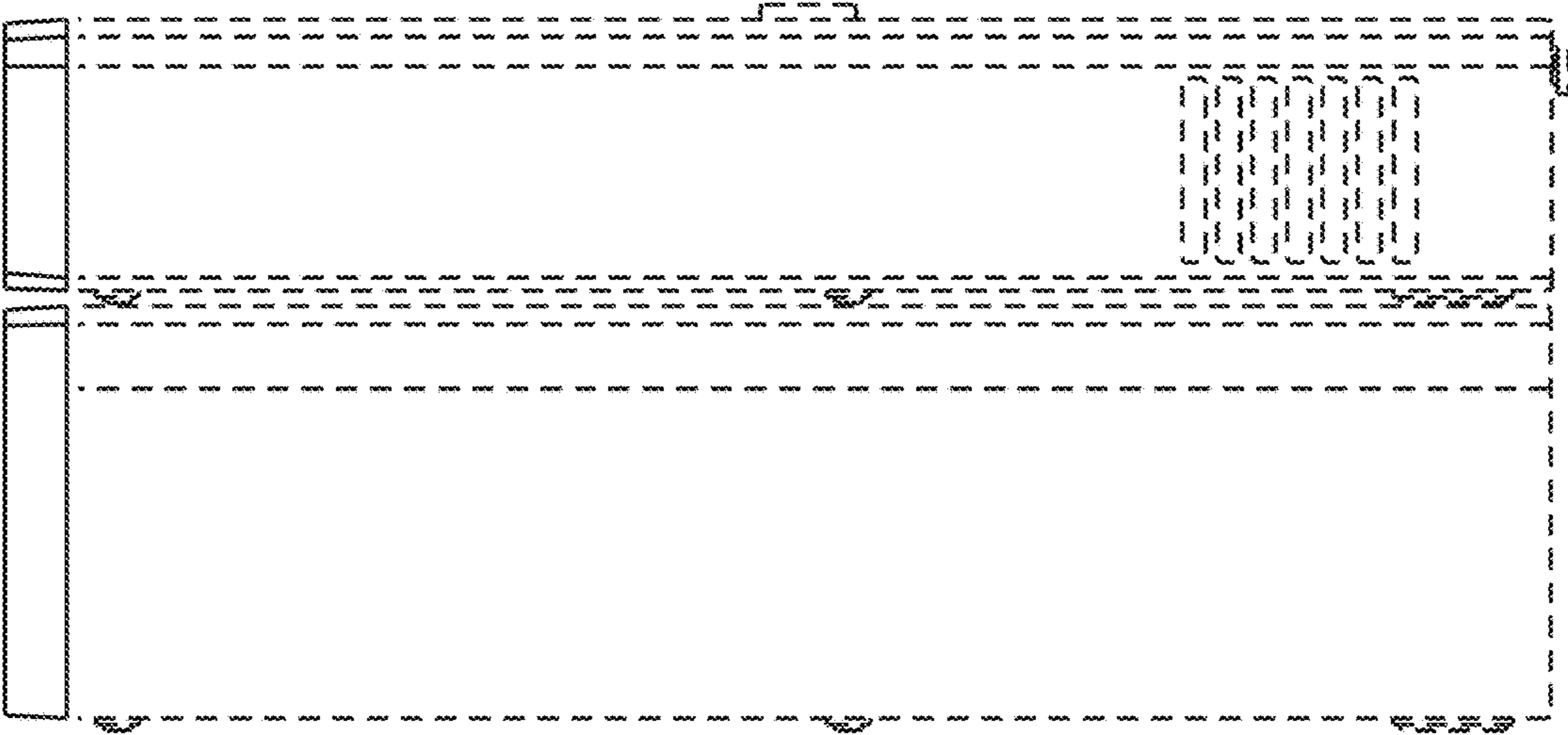


FIG. 4

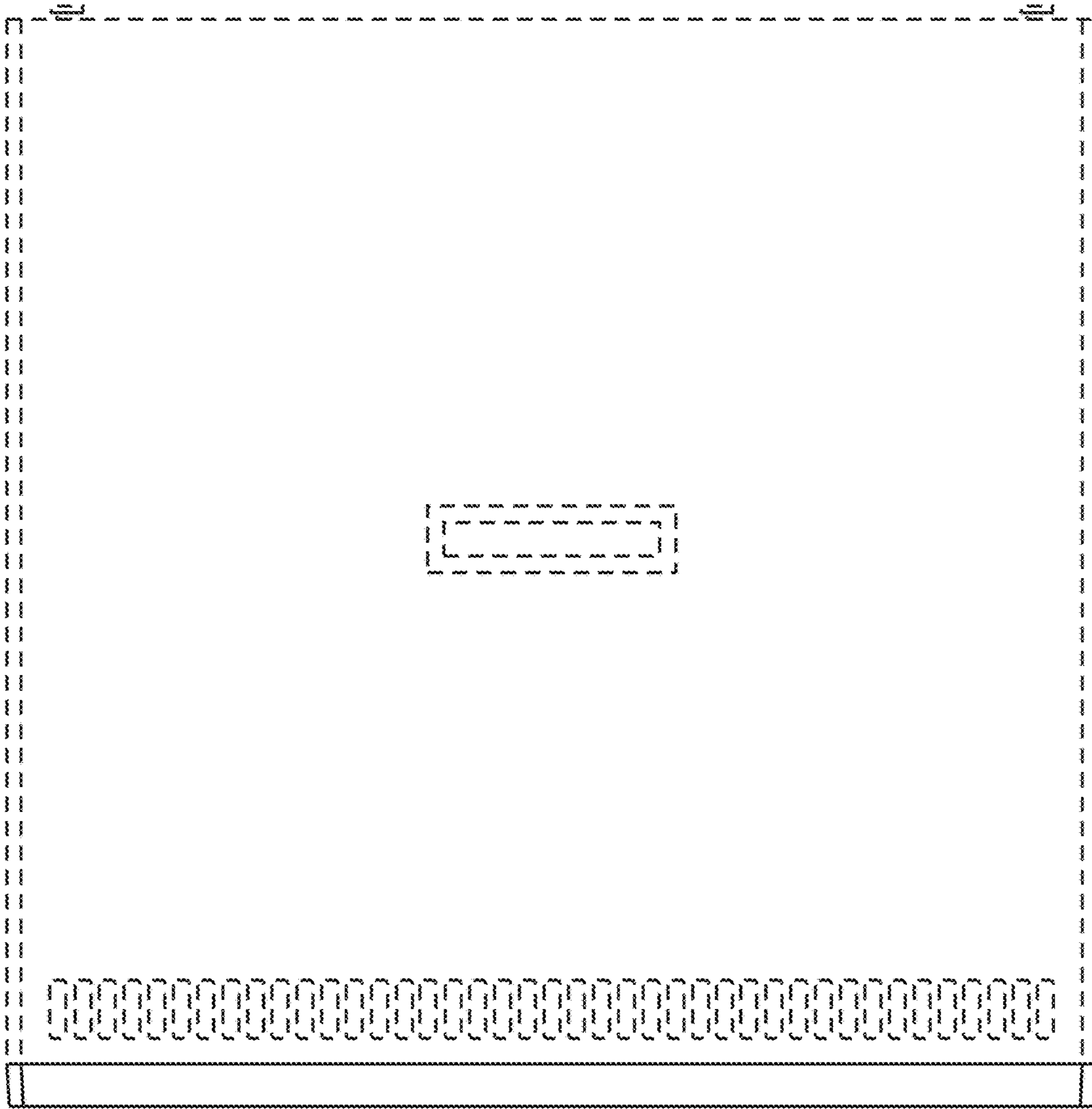


FIG. 5

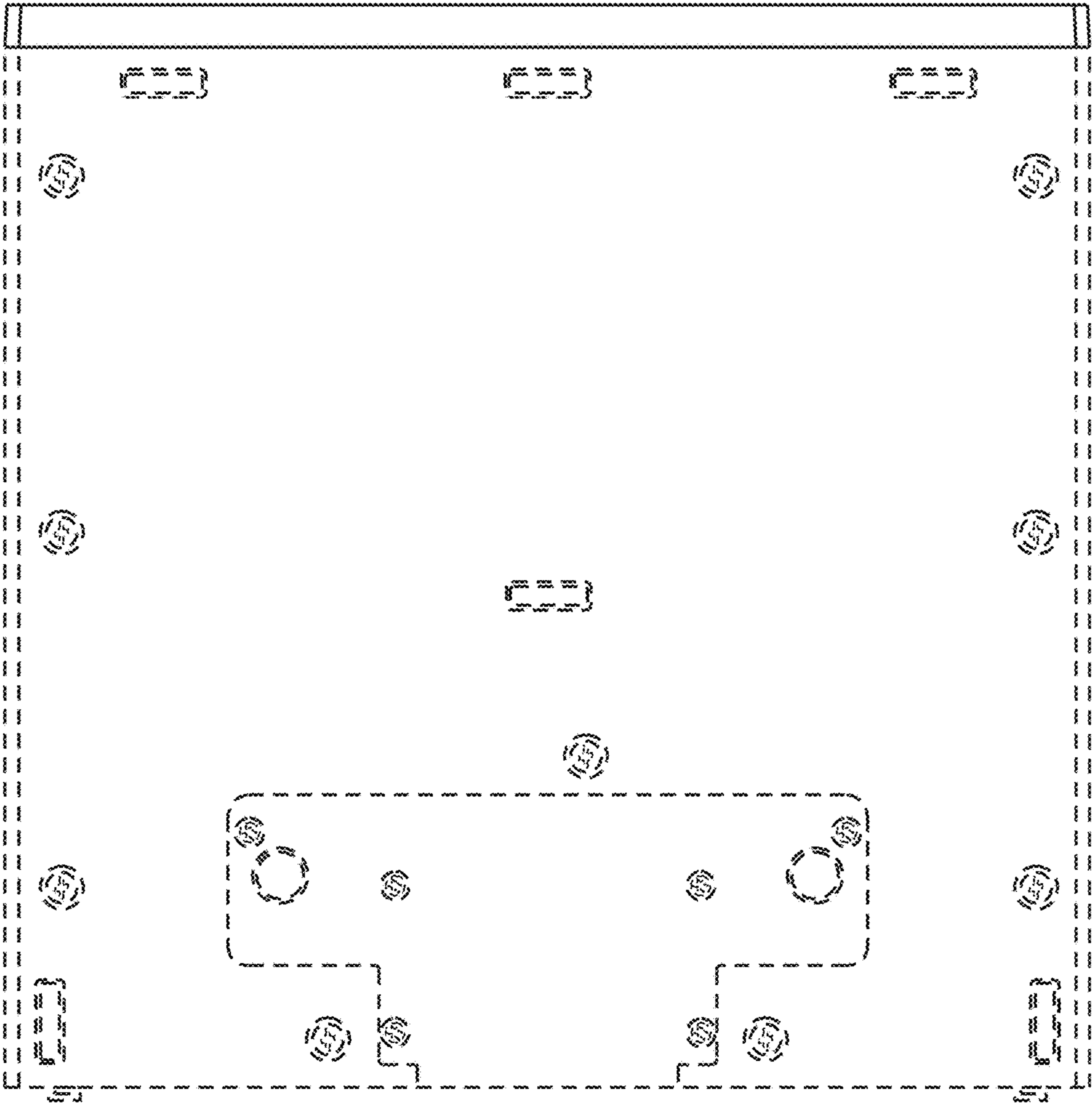


FIG. 6

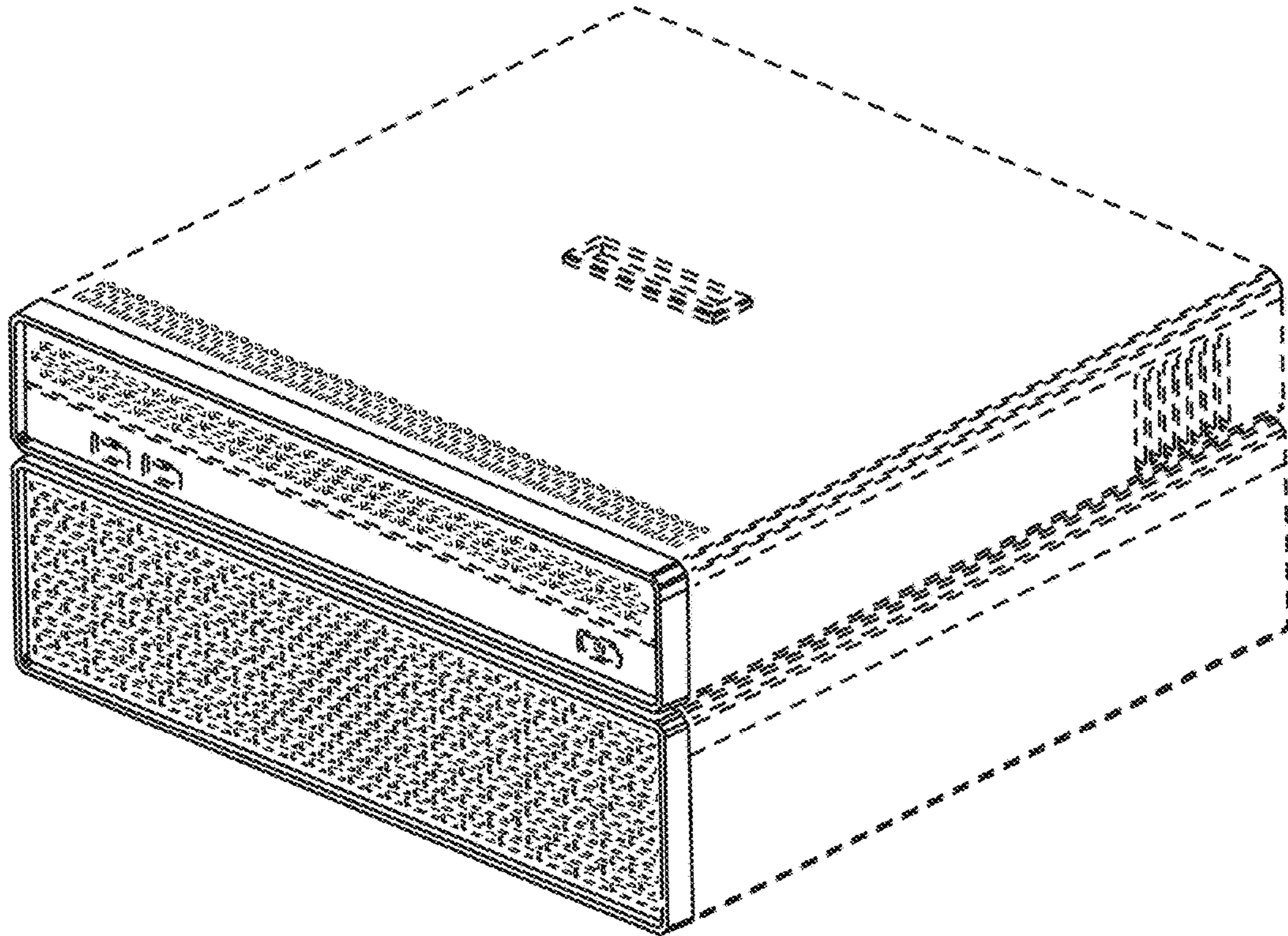


FIG. 7

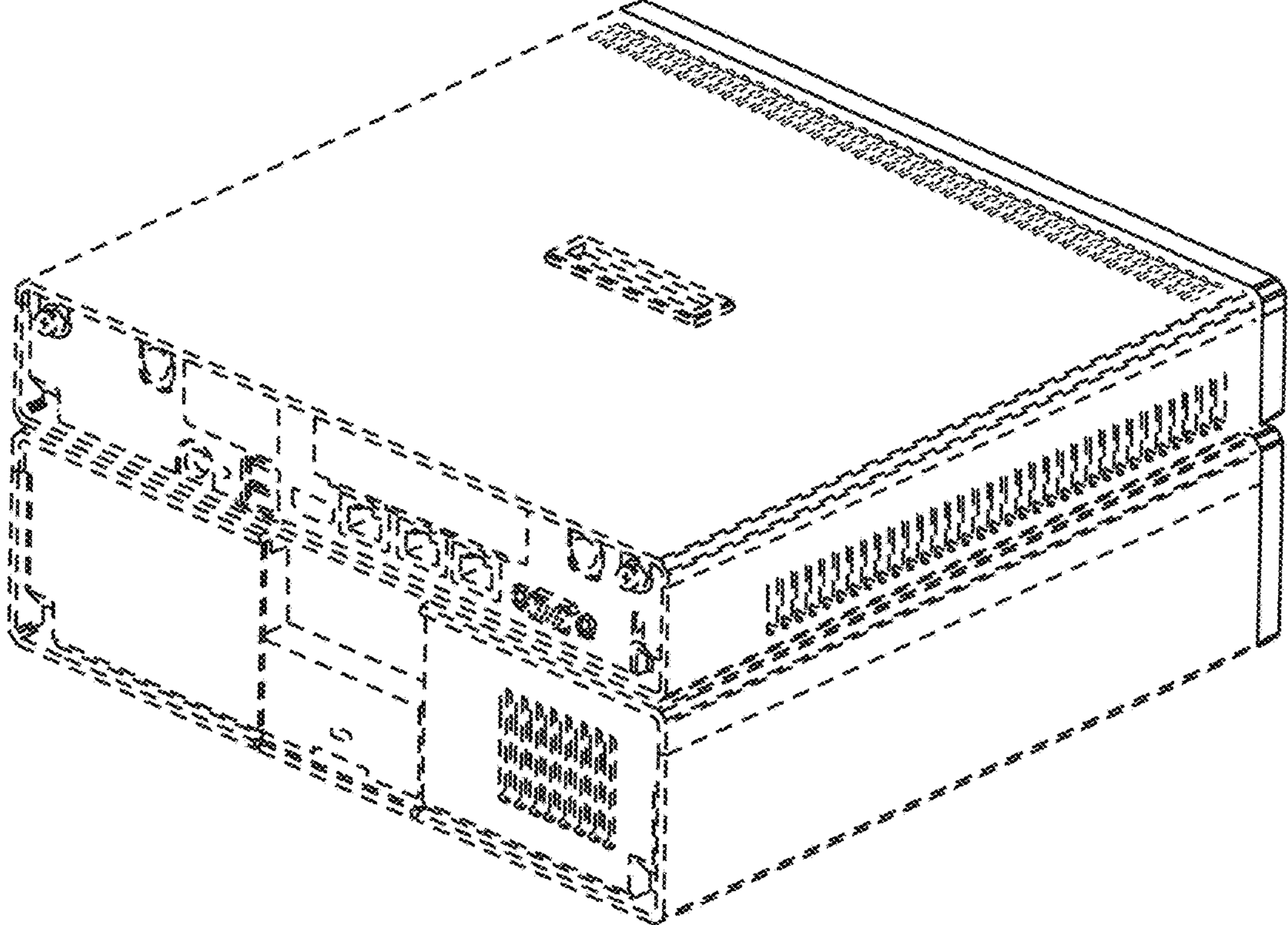


FIG. 8