



US00D806696S

(12) **United States Design Patent**
Goos

(10) **Patent No.:** **US D806,696 S**
(45) **Date of Patent:** **** Jan. 2, 2018**

(54) **SERVER**

7/00; G11B 33/126; G11B 33/128; G11B 33/08; G11B 33/02; H05H 7/20

(71) Applicant: **ACQUIFER AG**, Karlsruhe (DE)

See application file for complete search history.

(72) Inventor: **Jurgen Goos**, Speyer (DE)

(56) **References Cited**

(73) Assignee: **Acquifer AG**, Karlsruhe (DE)

U.S. PATENT DOCUMENTS

(**) Term: **15 Years**

3,204,345 A *	9/1965	Buckner	A63F 3/0415 273/145 C
D322,965 S *	1/1992	Silverstein	D14/367
D412,890 S	8/1999	Nesenoff	
6,088,224 A	7/2000	Gallagher et al.	
D428,886 S	8/2000	Hu	
D486,822 S	2/2004	Itou et al.	
D736,314 S *	8/2015	Urdarevik	D19/62
D775,122 S *	12/2016	Goos	D14/313

(21) Appl. No.: **29/567,778**

(22) Filed: **Jun. 13, 2016**

Related U.S. Application Data

(62) Division of application No. 29/516,242, filed on Jan. 30, 2015, now Pat. No. Des. 775,122.

(51) **LOC (11) Cl.** **14-02**

(52) **U.S. Cl.**
USPC **D14/301**

(58) **Field of Classification Search**
USPC D14/240, 300, 301, 308, 313, 314,
D14/348-356, 364-368, 441-446, 188;
D13/123, 158, 162, 184, 199;
312/223.1-223.3, 351.11;
360/99.01-99.12; 369/34.01-36.01;
361/679.31-679.33, 679.37, 679.39,
361/679.46, 679.53, 679.4, 679.41, 727

CPC . G06F 1/20; G06F 1/181; G06F 1/187; G06F 1/183; G06F 1/184; G06F 1/16; H05K 7/16; H05K 7/1424; H05K 7/1409; H05K 7/20; H05K 7/20545; H05K 7/20727; H05K 7/1425; H05K 7/1488; H05K 7/183; H05K 7/14; H05K 5/00; H05K

* cited by examiner

Primary Examiner — Freda S Nunn

(74) *Attorney, Agent, or Firm* — Renner, Otto, Boisselle & Sklar, LLP

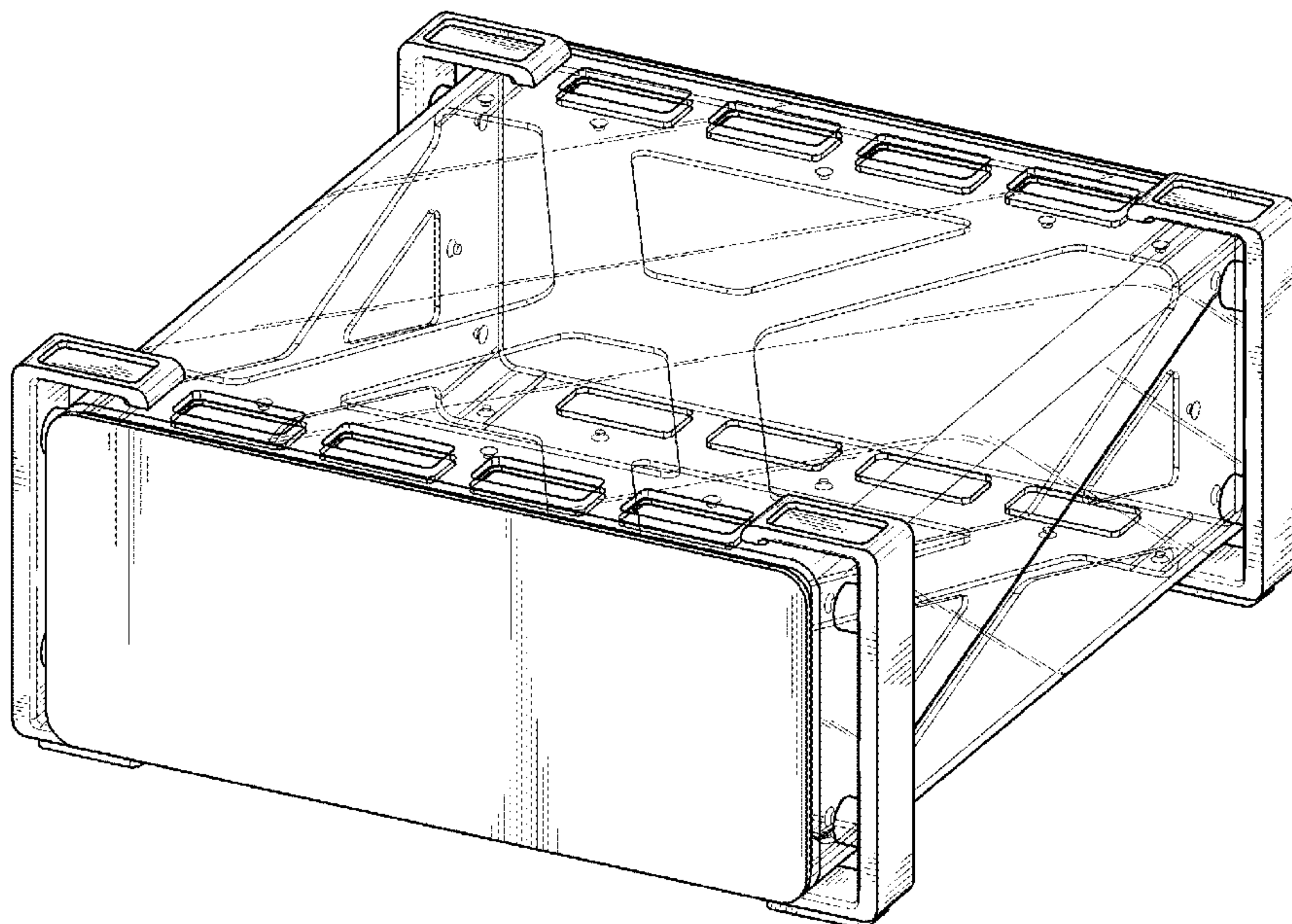
(57) **CLAIM**

The ornamental design for a server, as shown and described.

DESCRIPTION

FIG. 1 is a perspective view of a server showing my new design;
FIG. 2 is a front view thereof;
FIG. 3 is a left side view thereof;
FIG. 4 is a right side view thereof; and,
FIG. 5 is a top view thereof.
Rear and bottom views have been omitted since they are identical to FIGS. 2 and 5, respectively. The diagonal lines in FIGS. 1 and 3-5 indicate transparency.

1 Claim, 5 Drawing Sheets



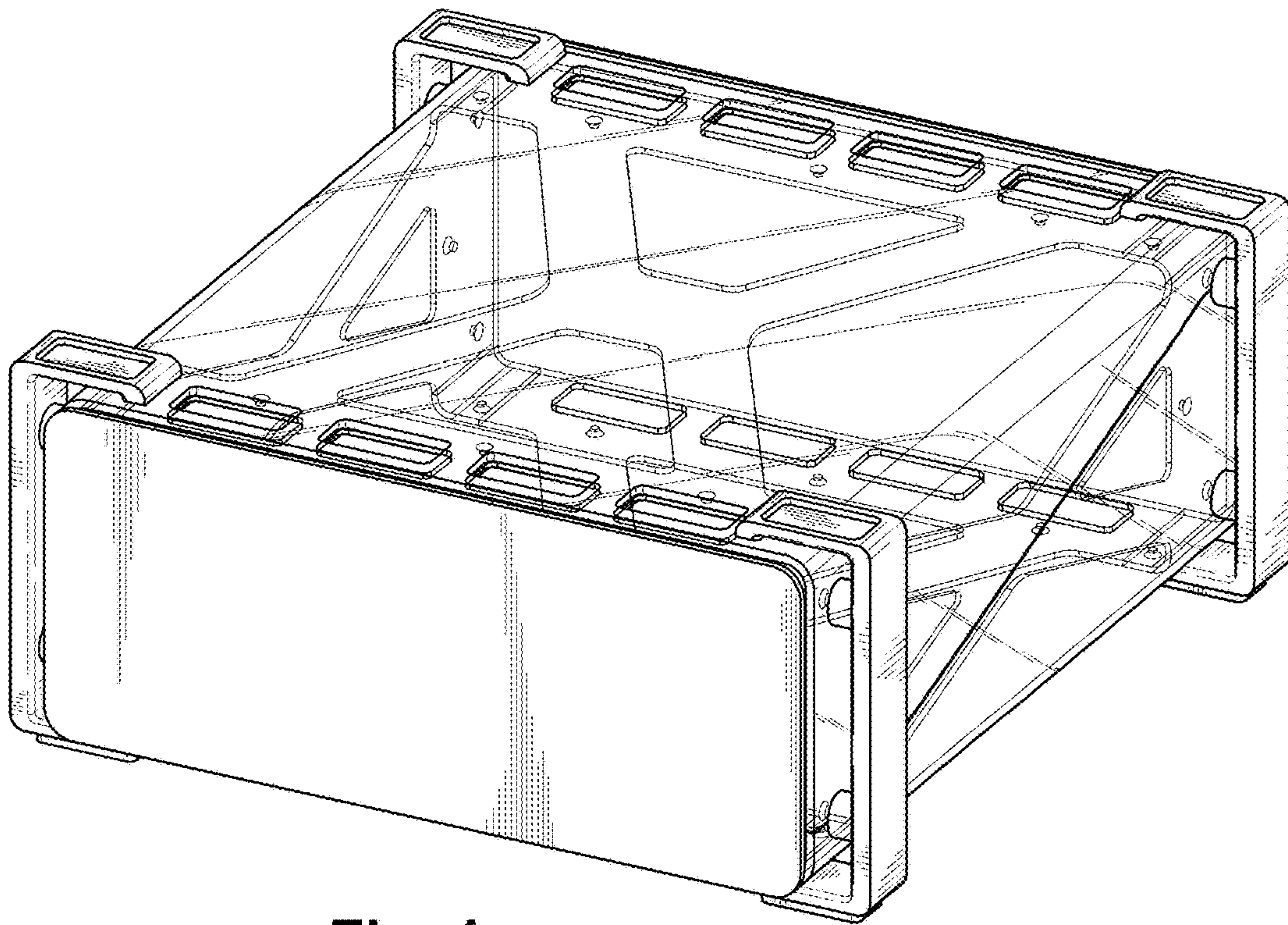


Fig. 1

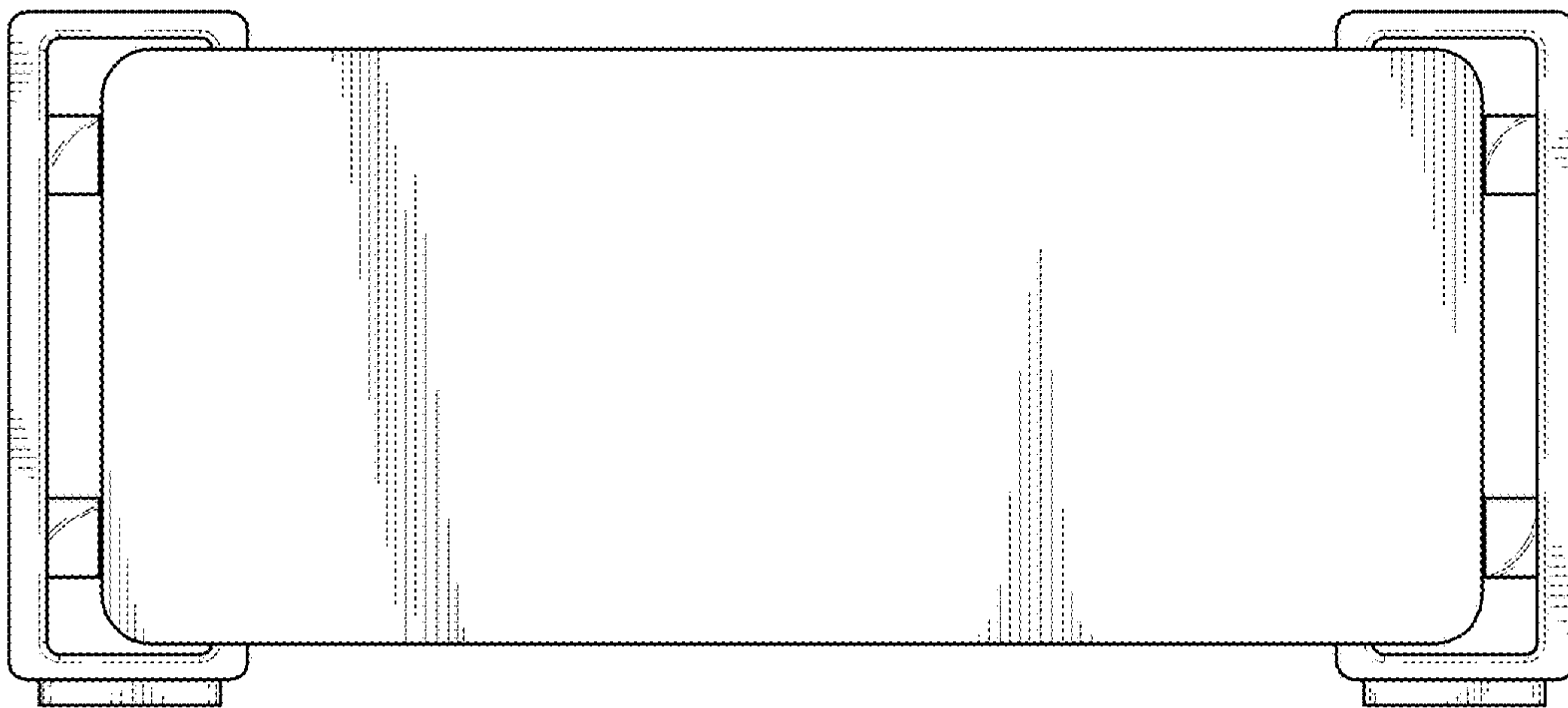


Fig. 2

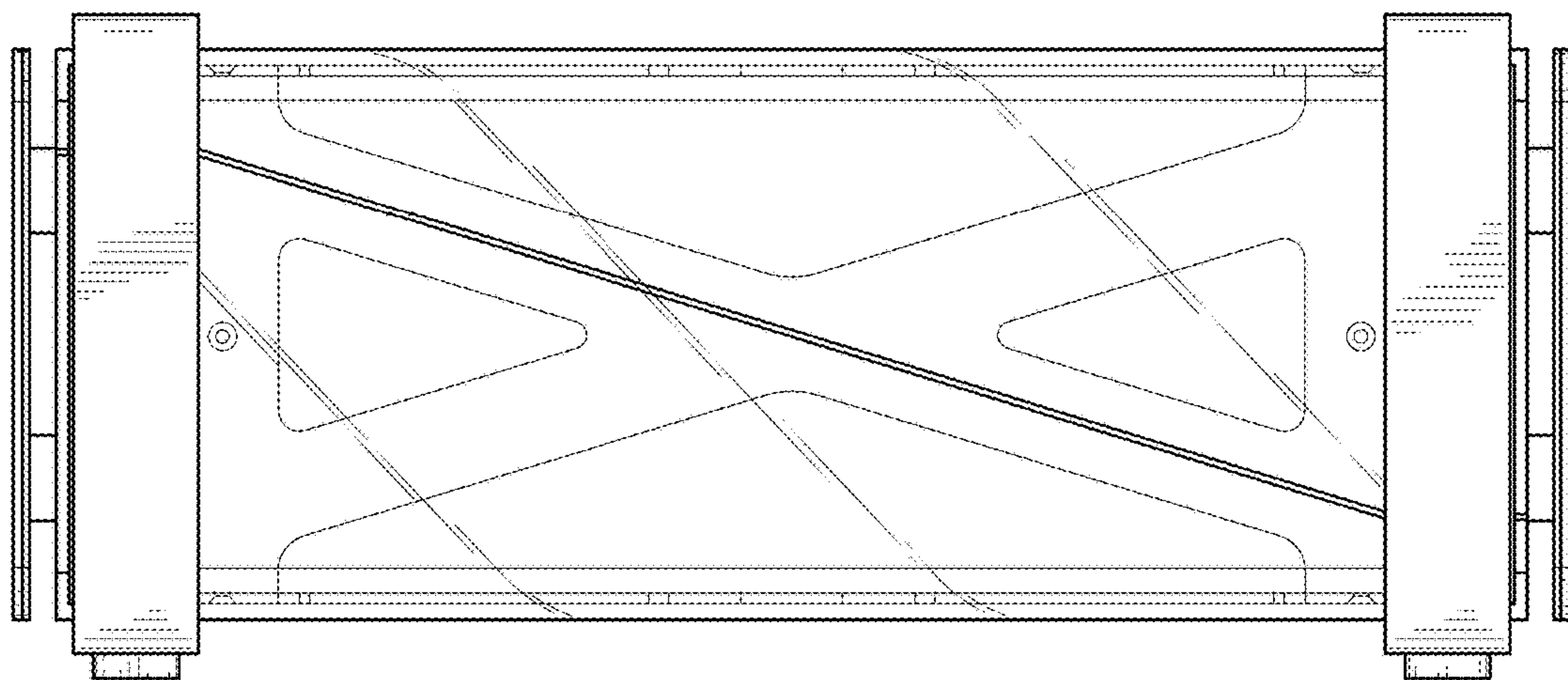


Fig. 3

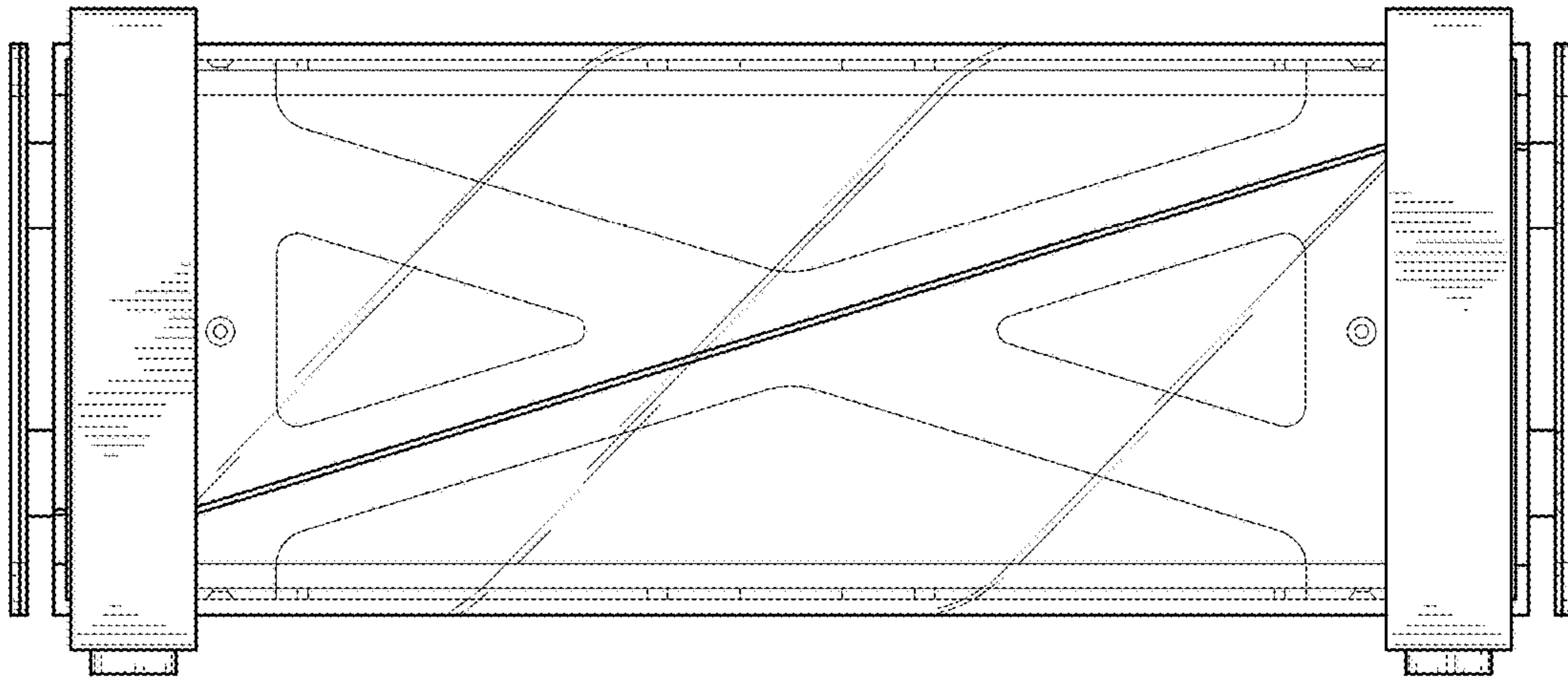


Fig. 4

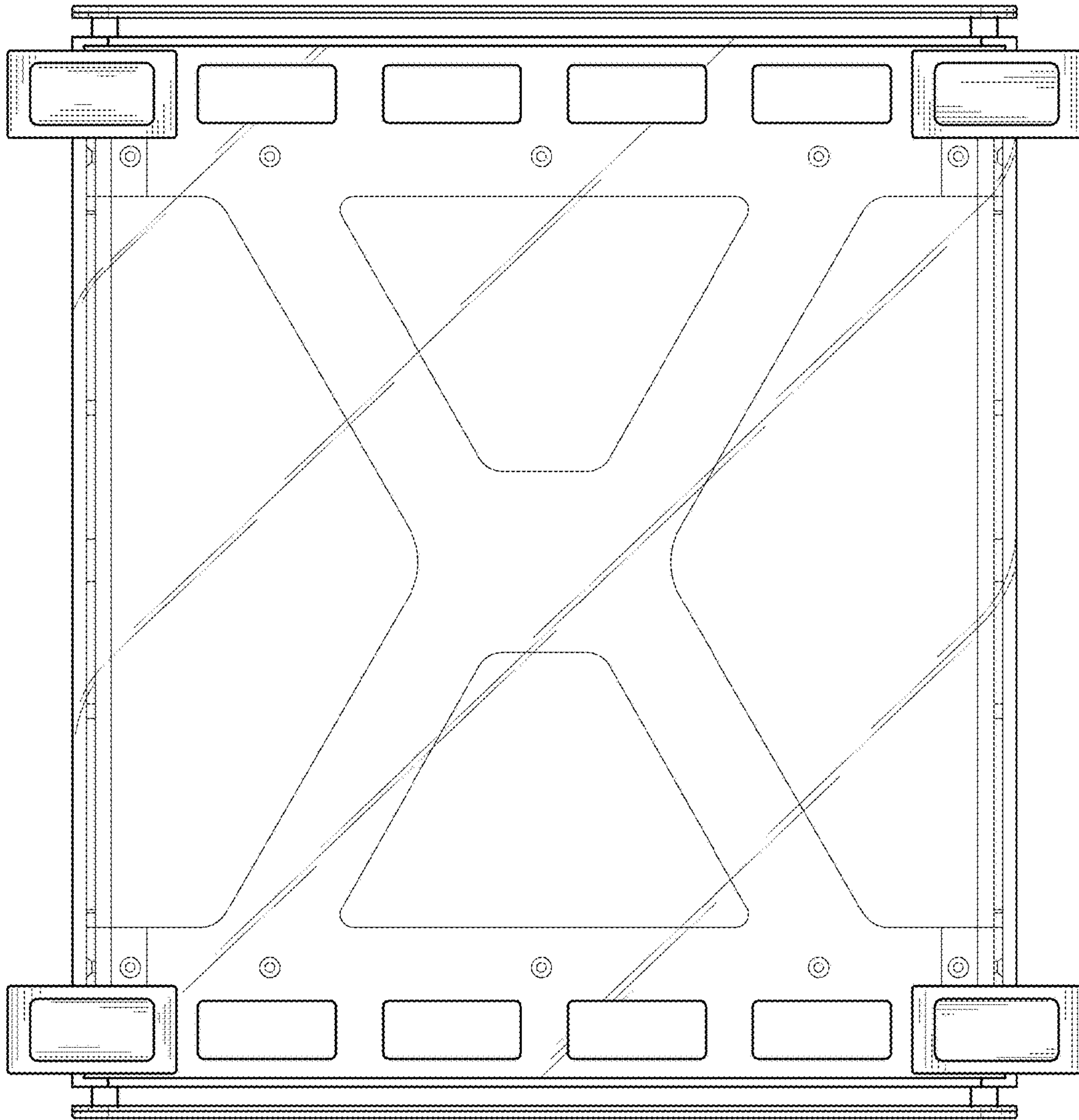


Fig. 5