



US00D806694S

(12) **United States Design Patent** (10) **Patent No.:** **US D806,694 S**  
**Chang et al.** (45) **Date of Patent:** **\*\* Jan. 2, 2018**

- (54) **CASE FOR CELLULAR PHONE**
- (71) Applicant: **LG ELECTRONICS INC.**, Seoul (KR)
- (72) Inventors: **Heeju Chang**, Seoul (KR); **Youngho Kim**, Seoul (KR); **Hyon Kim**, Seoul (KR)
- (73) Assignee: **LG Electronics Inc.**, Seoul (KR)
- (\*\*) Term: **15 Years**
- (21) Appl. No.: **29/571,089**
- (22) Filed: **Jul. 14, 2016**
- (30) **Foreign Application Priority Data**  
 Jan. 15, 2016 (KR) ..... 30-2016-002183
- (51) **LOC (11) Cl.** ..... **14-03**
- (52) **U.S. Cl.**  
 USPC ..... **D14/250**
- (58) **Field of Classification Search**  
 USPC ..... D14/143, 189, 203.2-203.7, 217, 238.1, D14/240, 248, 250-253, 440, 447, 496; D3/201, 218, 247-251, 269, 273, 301, D3/303; D13/103, 107-108, 119  
 CPC ..... A45C 1/06; A45C 11/00; A45C 13/02; A45C 2011/002; A45F 2005/026; A45F 2200/0525; A45F 2200/0516; H04B 1/3888; H04M 1/0283; H04M 1/0202  
 See application file for complete search history.

- (56) **References Cited**  
 U.S. PATENT DOCUMENTS
- |                |         |          |       |             |
|----------------|---------|----------|-------|-------------|
| D603,603 S *   | 11/2009 | Laine    | ..... | D3/218      |
| D644,168 S *   | 8/2011  | Bishay   | ..... | D13/102     |
| D653,202 S *   | 1/2012  | Hasbrook | ..... | D13/103     |
| D663,263 S *   | 7/2012  | Gupta    | ..... | D13/103     |
| D687,426 S *   | 8/2013  | Requa    | ..... | D14/250     |
| D708,621 S *   | 7/2014  | Gifford  | ..... | D14/447     |
| 8,917,506 B2 * | 12/2014 | Diebel   | ..... | G06F 1/1628 |
|                |         |          |       | 361/679.41  |

- |                   |         |         |       |             |
|-------------------|---------|---------|-------|-------------|
| D722,043 S *      | 2/2015  | Requa   | ..... | D13/108     |
| 9,356,267 B1 *    | 5/2016  | To      | ..... | H01M 2/1094 |
| D767,485 S *      | 9/2016  | To      | ..... | D13/103     |
| D790,454 S *      | 6/2017  | Lee     | ..... | D13/103     |
| 2012/0088558 A1 * | 4/2012  | Song    | ..... | H04M 1/18   |
|                   |         |         |       | 455/575.1   |
| 2012/0282977 A1 * | 11/2012 | Haleluk | ..... | H04B 1/3888 |
|                   |         |         |       | 455/556.1   |

**OTHER PUBLICATIONS**

COOLQO: iPhone 5S Case, posted at amazon.com, earliest date reviewed Aug. 13, 2016, [online], acquired on Oct. 10, 2017. Available from Internet, <URL: [https://www.amazon.com/COOLQO-Ultra-thin-Protector-Shockproof-Electroplate/dp/B01J2QLJXY/ref=cm\\_cr\\_ar\\_p\\_d\\_product\\_top?ie=UTF8](https://www.amazon.com/COOLQO-Ultra-thin-Protector-Shockproof-Electroplate/dp/B01J2QLJXY/ref=cm_cr_ar_p_d_product_top?ie=UTF8)>.\*  
 Vansin: iPhone 5S Case, posted at amazon.com, earliest date reviewed on May 24, 2016, [online], acquired on Oct. 10, 2017. Available from Internet, <URL: [https://www.amazon.com/dp/B01NCF085Y/ref=psdc\\_3081461011\\_t3\\_B01J2QLJXY](https://www.amazon.com/dp/B01NCF085Y/ref=psdc_3081461011_t3_B01J2QLJXY)>.\*

\* cited by examiner

*Primary Examiner* — Cathron C Brooks  
*Assistant Examiner* — Aula Soroush  
 (74) *Attorney, Agent, or Firm* — Birch, Stewart, Kolasch & Birch, LLP

(57) **CLAIM**

The ornamental design for a case for cellular phone, as shown and described.

**DESCRIPTION**

FIG. 1 is a front, right side, perspective view of a case for cellular phone showing our new design;  
 FIG. 2 is a front view thereof;  
 FIG. 3 is a rear view thereof;  
 FIG. 4 is a left side view thereof;  
 FIG. 5 is a right side view thereof;  
 FIG. 6 is a top view thereof; and,  
 FIG. 7 is a bottom view.

**1 Claim, 6 Drawing Sheets**

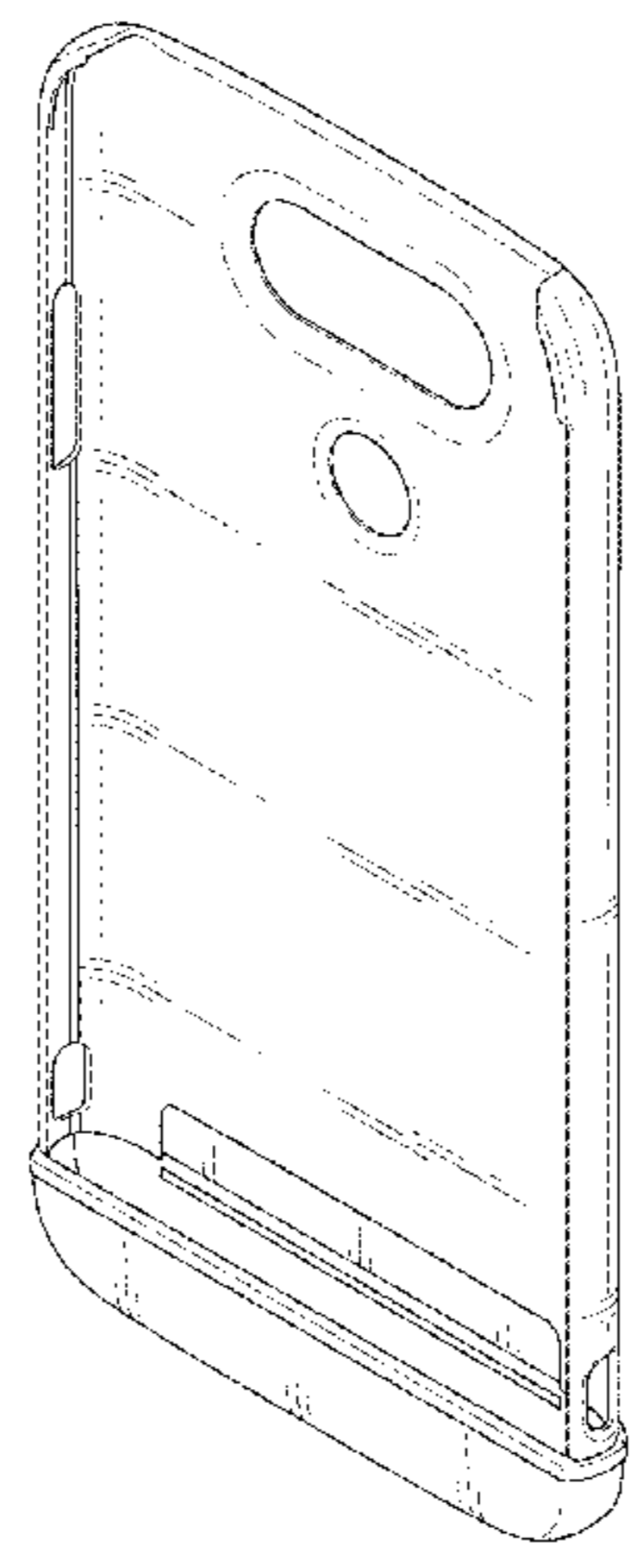


FIG. 1

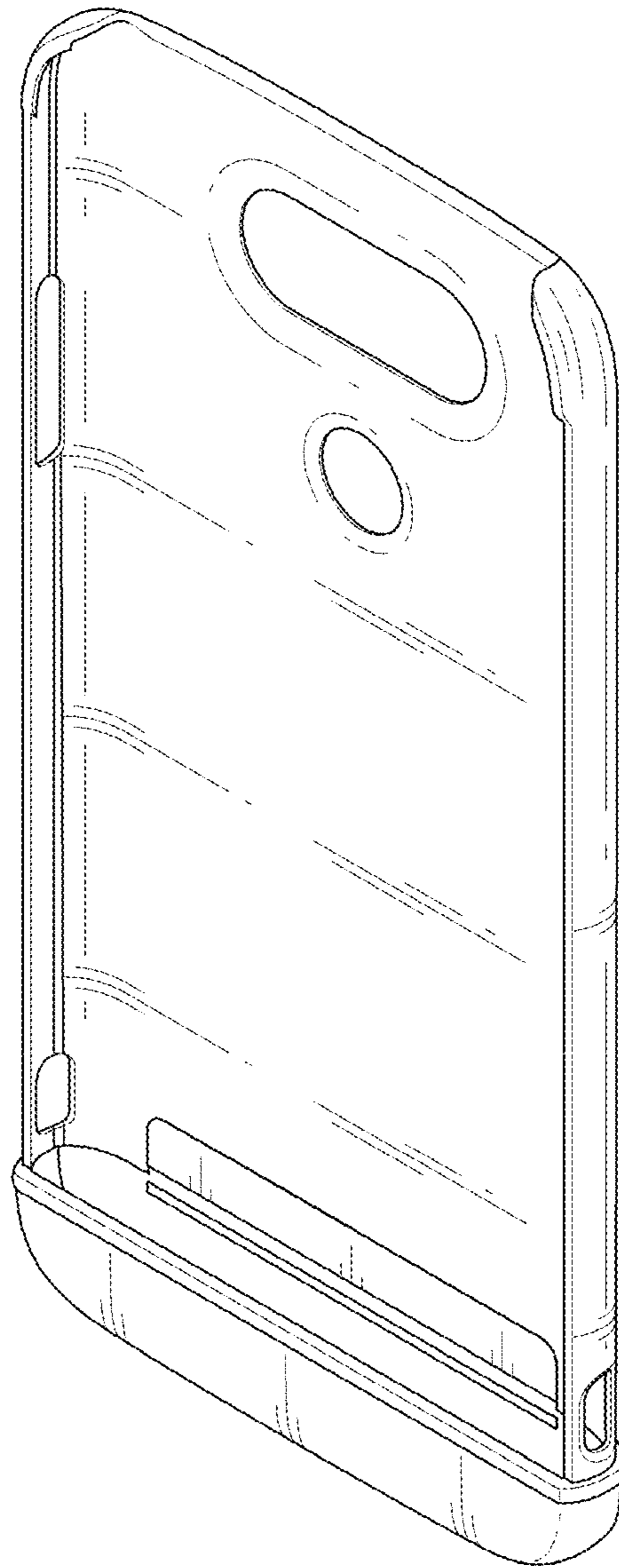


FIG. 2

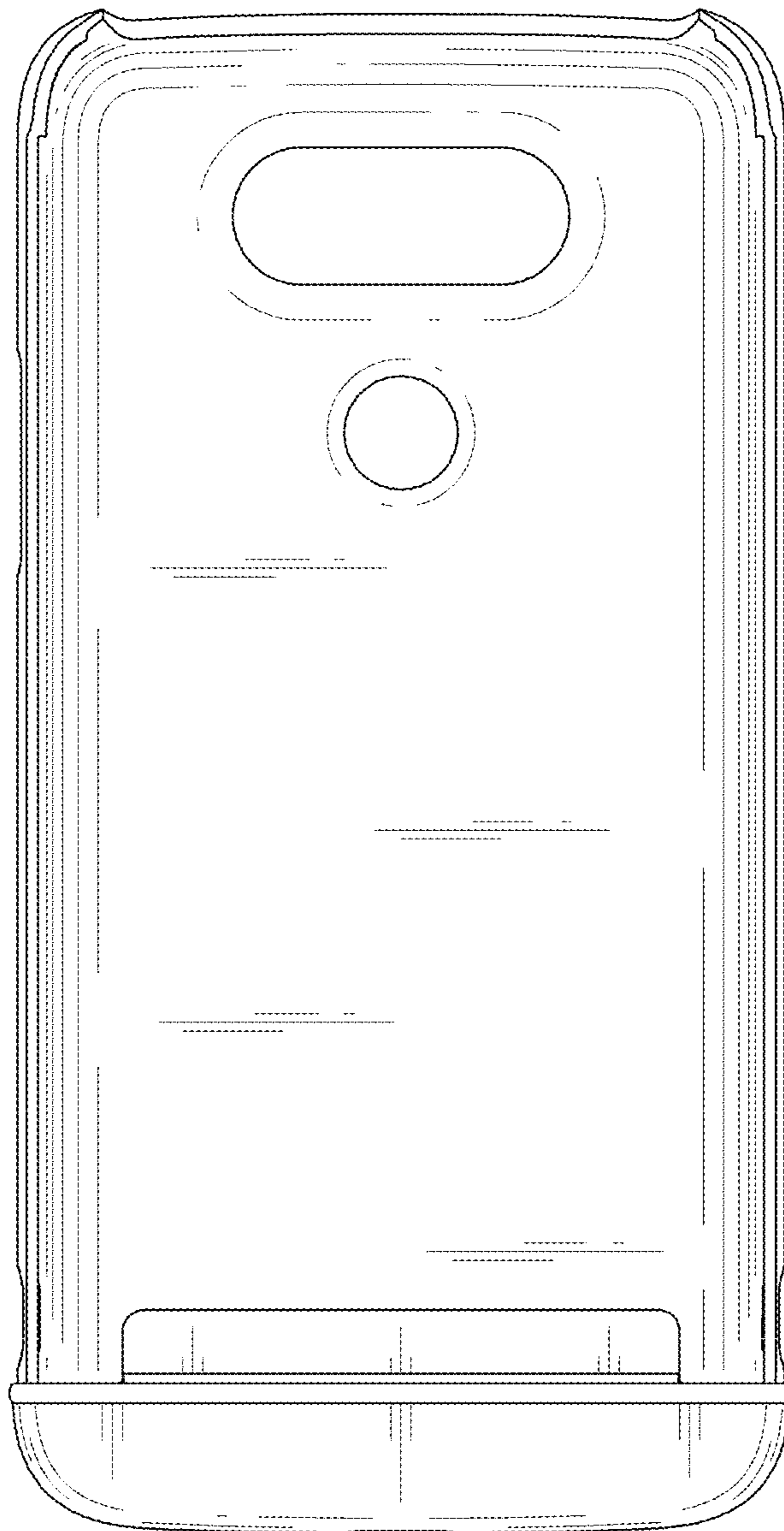


FIG. 3

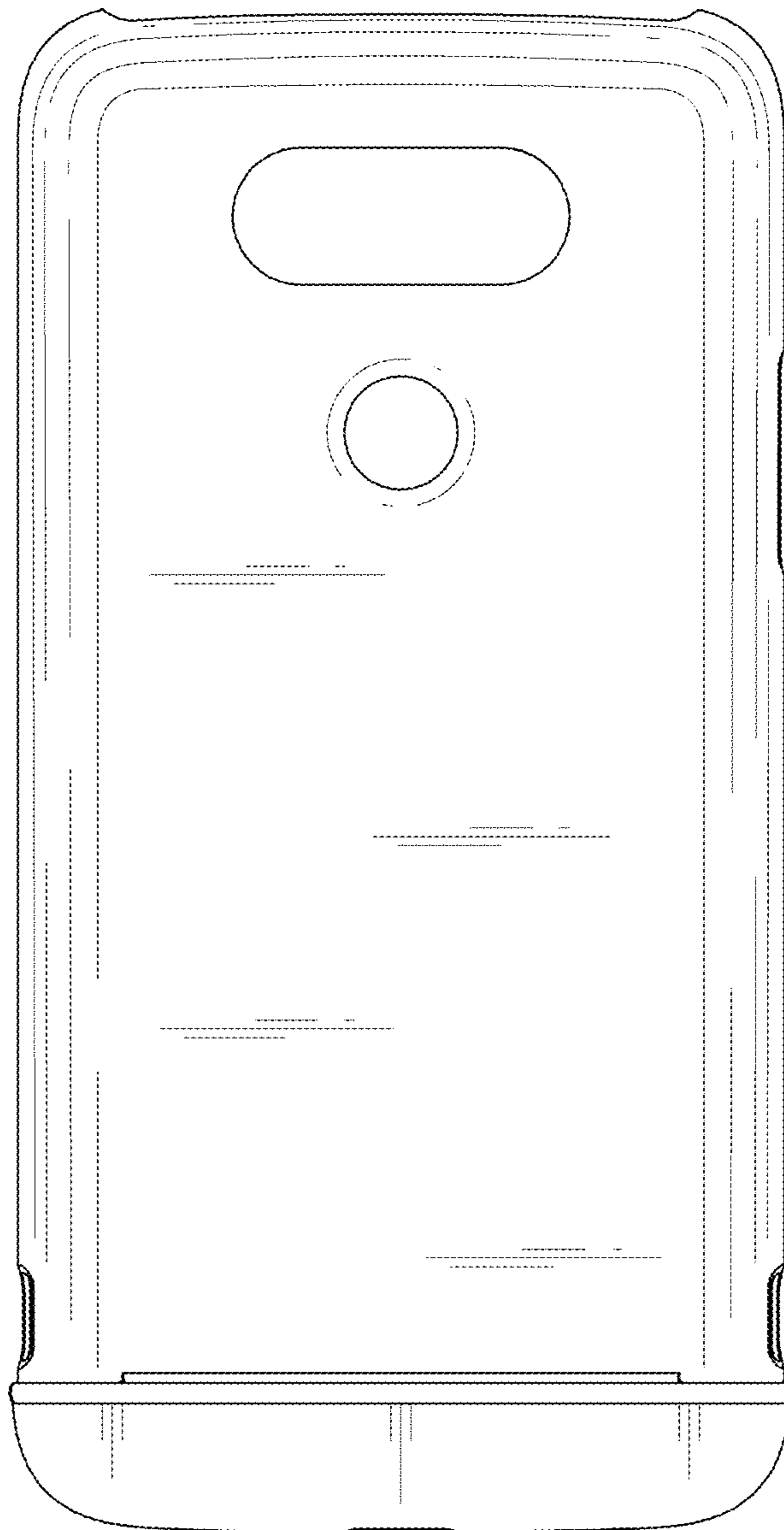


FIG. 4

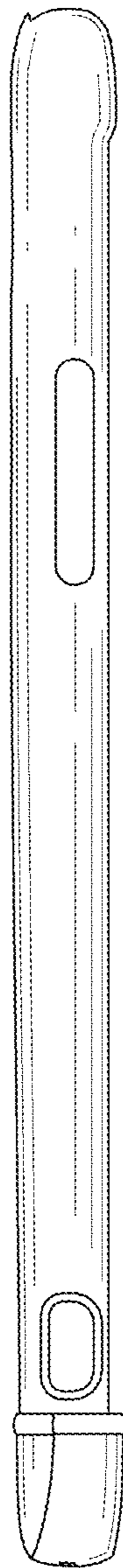


FIG. 5

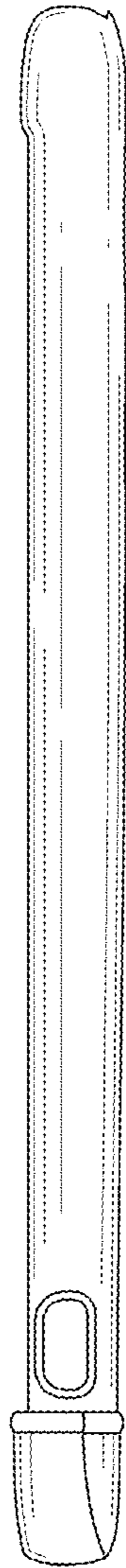


FIG. 6

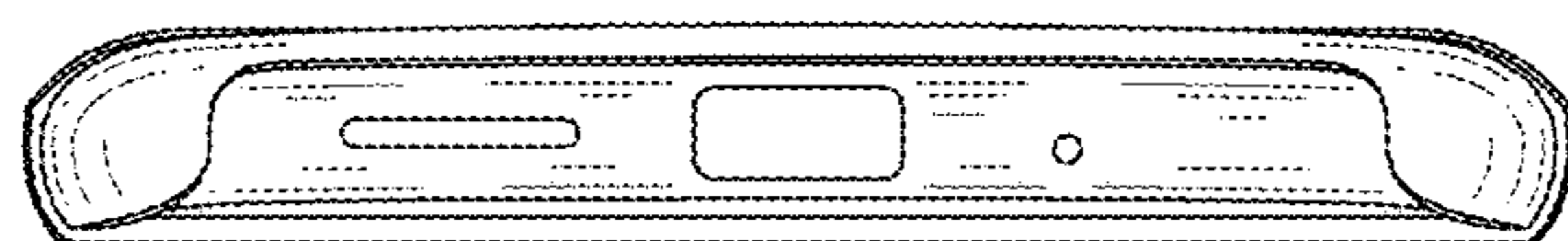


FIG. 7

