



US00D806693S

(12) **United States Design Patent** (10) **Patent No.:** **US D806,693 S**
Lee et al. (45) **Date of Patent:** **** Jan. 2, 2018**

(54) **COVER FOR AN ELECTRONIC DEVICE**

(71) Applicant: **SAMSUNG ELECTRONICS CO., LTD.**, Suwon-si (KR)

(72) Inventors: **Wooseok Lee**, Seoul (KR); **Junyong Song**, Seongnam-si (KR)

(73) Assignee: **Samsung Electronics Co., Ltd.**, Suwon-si (KR)

(**) Term: **15 Years**

(21) Appl. No.: **29/568,899**

(22) Filed: **Jun. 22, 2016**

(30) **Foreign Application Priority Data**

Dec. 24, 2015 (KR) 30-2015-0066085

(51) **LOC (11) Cl.** **14-03**

(52) **U.S. Cl.**
USPC **D14/250**

(58) **Field of Classification Search**
USPC D14/250; 455/575.8
CPC A45C 11/00; A45C 2011/002
See application file for complete search history.

(56) **References Cited**

U.S. PATENT DOCUMENTS

D777,157 S *	1/2017	Kim	D14/250
D777,160 S *	1/2017	Kim	D14/250
D777,161 S *	1/2017	Lee	D14/250
D785,615 S *	5/2017	Kim	D14/250
D787,493 S *	5/2017	Kim	D14/250
D787,495 S *	5/2017	Kim	D14/250
D788,093 S *	5/2017	Lee	D14/250
D791,757 S *	7/2017	Kim	D14/250

OTHER PUBLICATIONS

Camera Lens Case for Samsung Galaxy S7, posted at phonearena.com, posting date Feb. 23, 2016, [online], [site visited Aug. 16,

2017]. Available from Internet, URL: https://www.phonearena.com/news/CameraLencasesforSamsungGalaxyS7S7edgehandson_id78717.*

Samsung Galaxy S4 Long Range Telescope Photo Lens Case, posted at mobilefun.com, posting date Aug. 2, 2014, [online], [site visited Aug. 16, 2017]. Available from Internet, URL: <http://www.mobilefun.com/39305samsunggalaxys4longrangetelescopephotolenscase.htm>.*

Samsung Galaxy S7 Case, posted at androidcentral.com, posting date Feb. 21, 2016, [online], [site visited Aug. 16, 2017]. Available from Internet, URL: <https://www.androidcentral.com/theseagalaxys7casesofferswappablecameralenses>.*

Samsung Lens Cover for Galaxy S7, posted at bhphotovideo.com, posting date not given, [online], [site visited Aug. 16, 2017]. Available from Internet, URL: https://www.bhphotovideo.com/c/product/1257566REG/samsung_et_cg930dbegus_lens_cover_for_galaxy.html.*

* cited by examiner

Primary Examiner — George D. Kirschbaum

Assistant Examiner — Maria J Edwards

(74) *Attorney, Agent, or Firm* — NSIP Law

(57) **CLAIM**

We claim the ornamental design for a cover for an electronic device, as shown and described.

DESCRIPTION

FIG. 1 is a front perspective view of a cover for an electronic device showing our new design;

FIG. 2 is a front view thereof;

FIG. 3 is a rear view thereof;

FIG. 4 is a left-side view thereof;

FIG. 5 is a right-side view thereof;

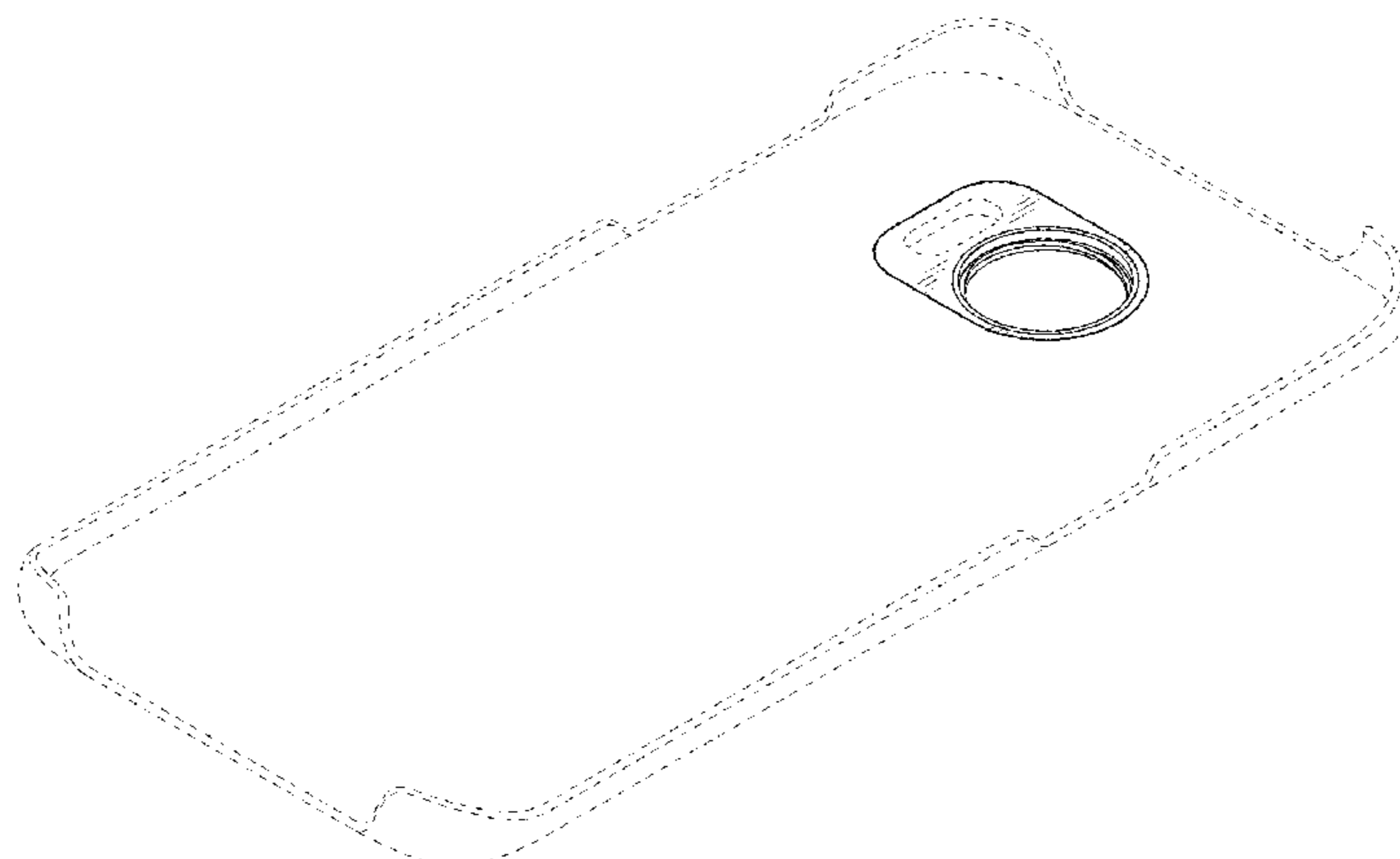
FIG. 6 is a top view thereof;

FIG. 7 is a bottom view thereof;

FIG. 8 is a rear perspective view thereof; and,

FIG. 9 is an exploded view of the cover for an electronic device in which a camera lens is shown in broken lines to illustrate an example environment.

(Continued)



The broken lines in the figures depict environmental subject matter and form no part of the claimed design.

1 Claim, 7 Drawing Sheets

FIG.1

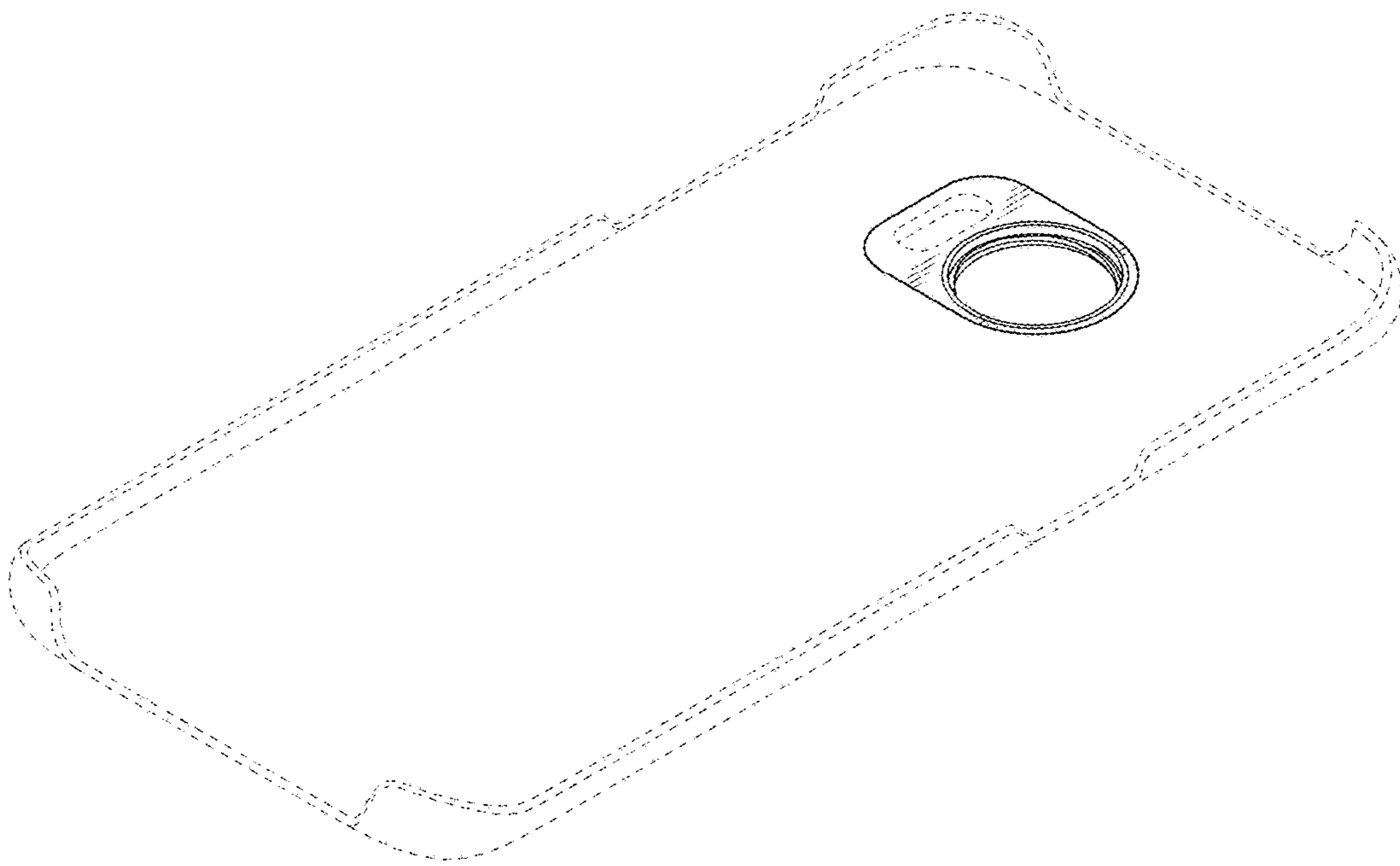


FIG.2

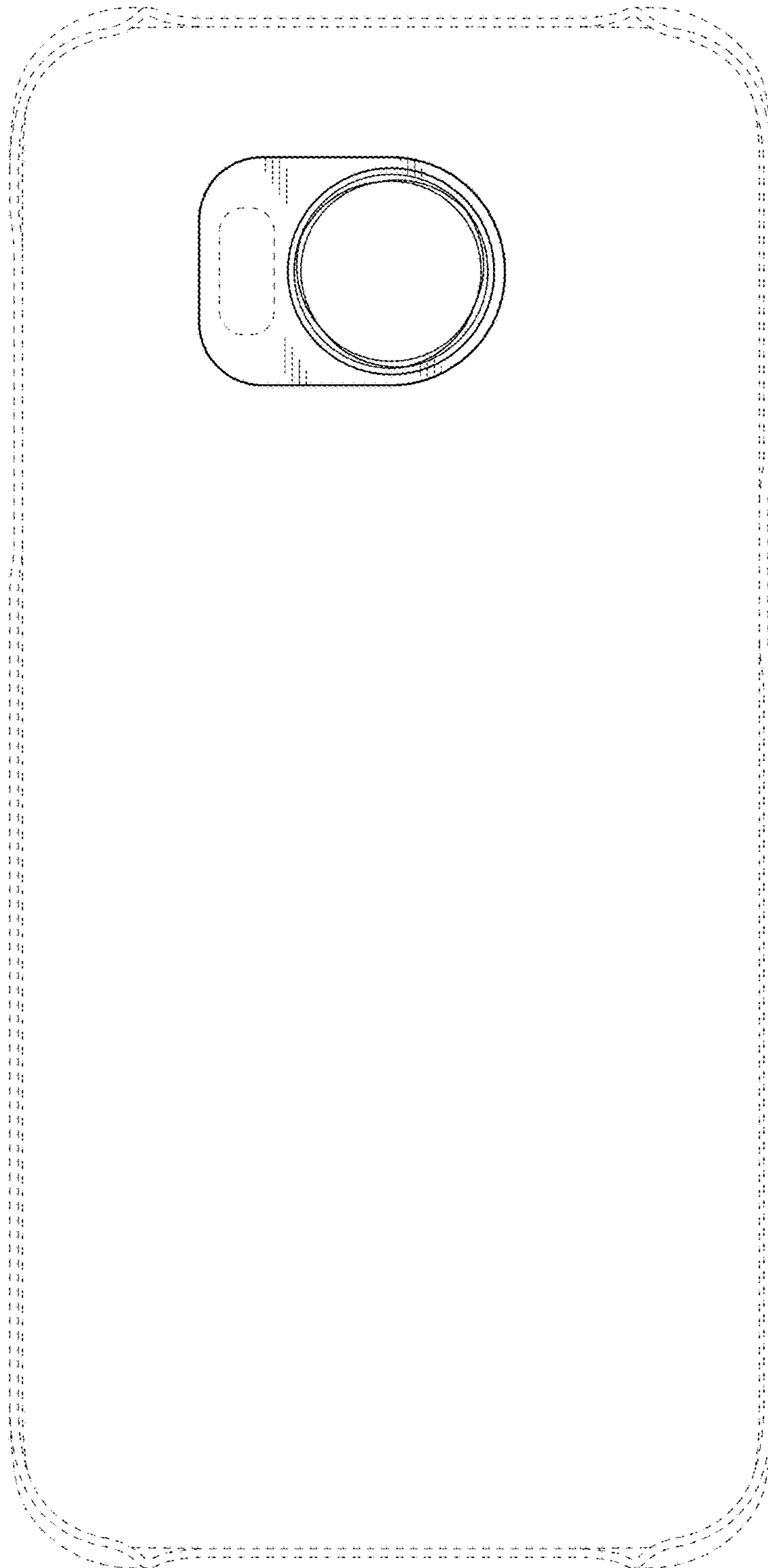


FIG.3

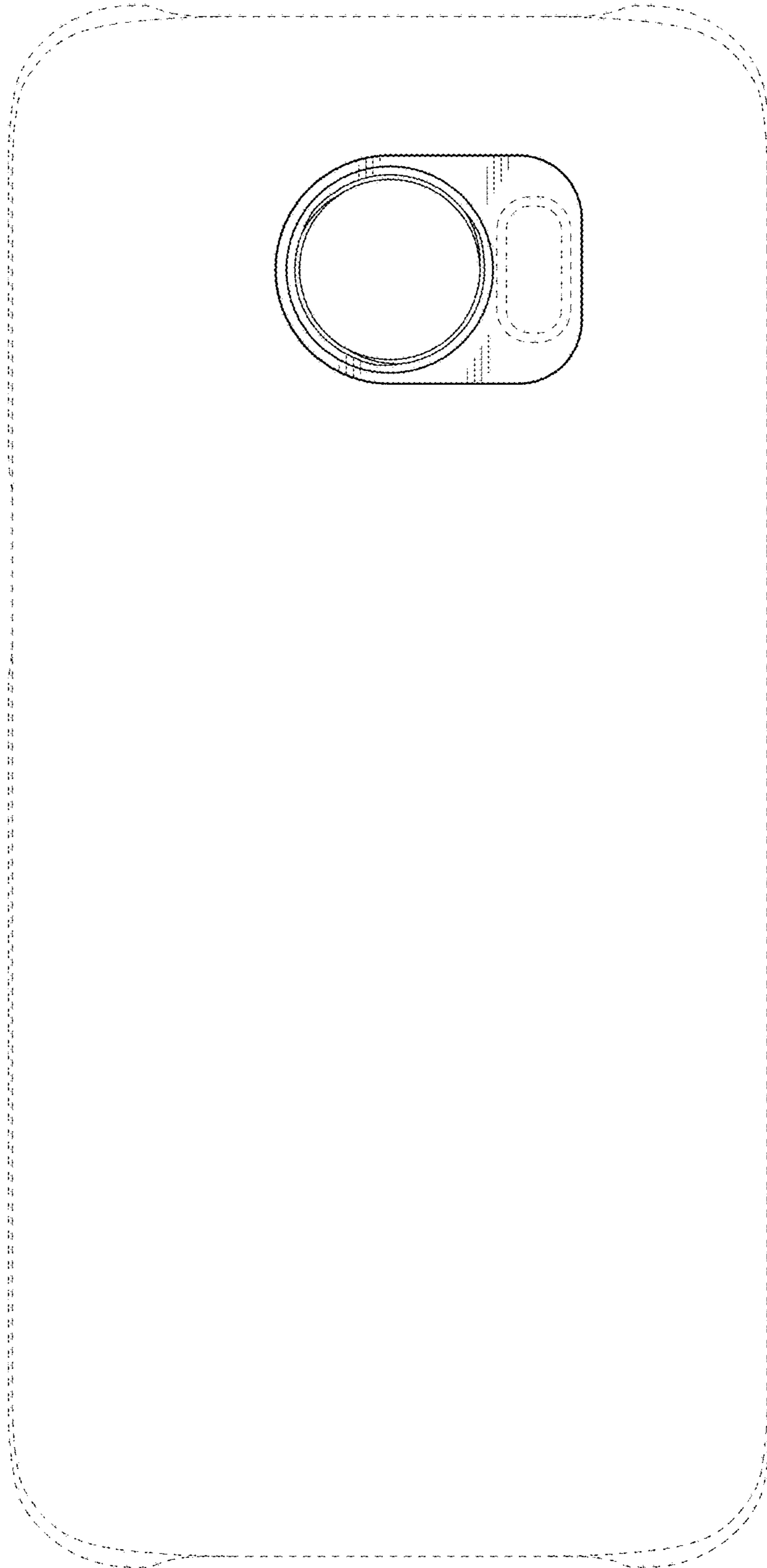


FIG.4

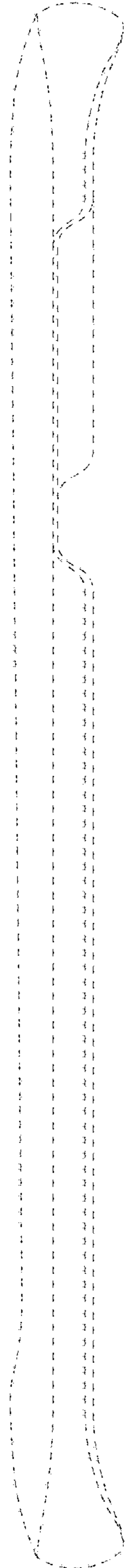


FIG.5

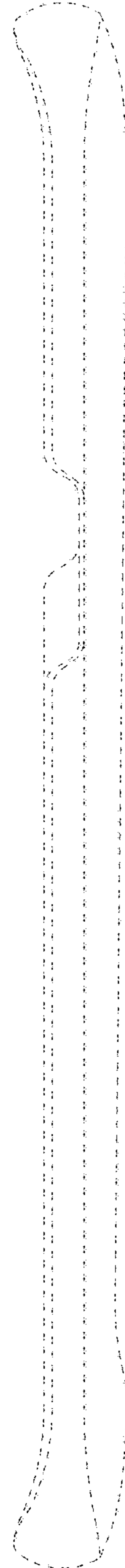


FIG.6

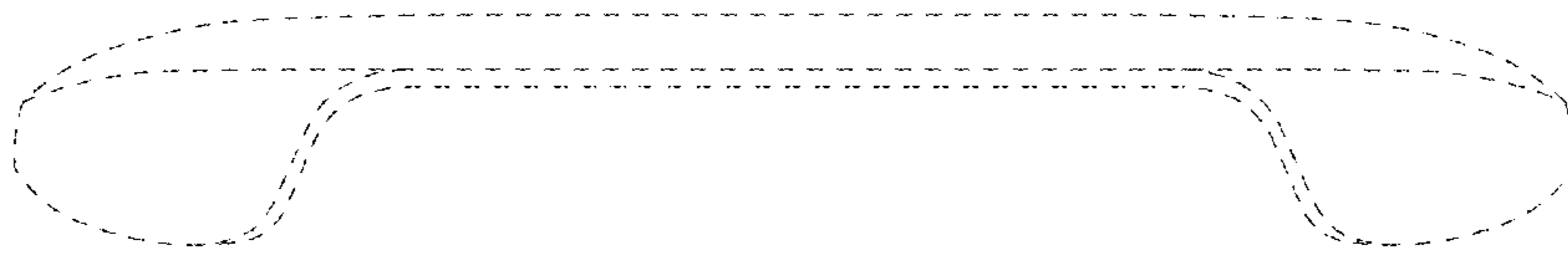


FIG.7

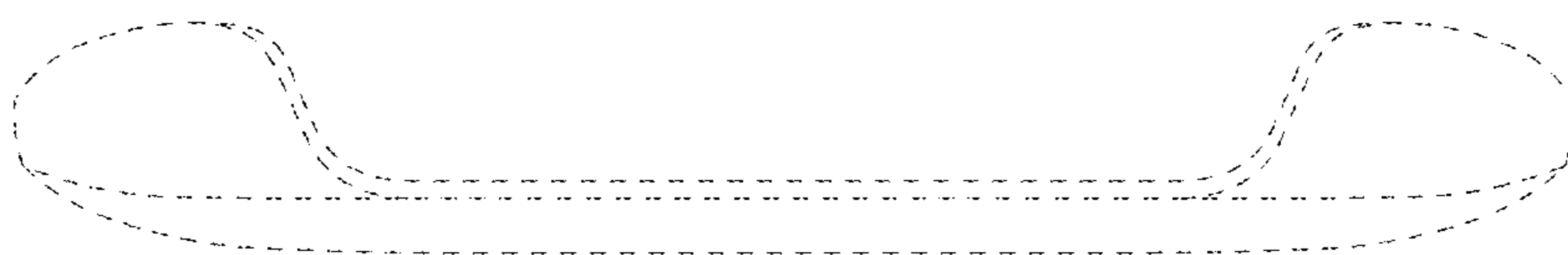


FIG.8



FIG.9

