

US00D806691S

(12) **United States Design Patent** (10) **Patent No.:** **US D806,691 S**
Andersson (45) **Date of Patent:** **** Jan. 2, 2018**

(54) **COMMUNICATIONS EQUIPMENT**

(71) Applicant: **HMS Industrial Networks AB**,
Halmstad (SE)
(72) Inventor: **Rickard Andersson**, Haverdal (SE)
(73) Assignee: **HMS INDUSTRIAL NETWORKS**
AB (SE)
(**) Term: **15 Years**
(21) Appl. No.: **29/565,595**
(22) Filed: **May 23, 2016**
(30) **Foreign Application Priority Data**

Nov. 23, 2015 (EM) 002873497-0001

(51) **LOC (11) Cl.** **14-03**

(52) **U.S. Cl.**
USPC **D14/240; D14/358**

(58) **Field of Classification Search**
USPC D14/356, 357, 358, 361, 362, 365, 367,
D14/370, 388, 432, 434, 203.1, 203.6,
D14/204, 205, 216, 240, 242, 299, 125,
D14/129, 130, 140, 155, 168, 188, 195,
D14/300, 302, 314, 348, 351, 49, 230,
D14/231, 232, 233, 235, 236, 237, 400,
D14/401; D13/103, 107, 108, 123, 162,
D13/162.1, 163, 184, 199; D10/104.1,
D10/106.6, 116.1, 61, 64, 75, 118, 121;
D24/107, 170, 165, 167, 169, 185, 186,
D24/200, 216, 231, 232, 233; D15/17,
D15/28, 72, 78, 89, 138, 199; D8/387,
D8/397
CPC ... H04W 88/00; H04W 88/005; H04W 88/02;
H04W 88/12; H04W 88/14; H04W 88/16;
H04W 88/18; H04W 4/00
See application file for complete search history.

(56) **References Cited**

U.S. PATENT DOCUMENTS

3,757,698 A * 9/1973 Jacobson F42B 10/46
244/131
4,333,082 A * 6/1982 Susman H01Q 15/08
343/754
4,755,820 A * 7/1988 Backhouse H01Q 9/0407
343/700 MS

(Continued)

OTHER PUBLICATIONS

Antenna—HG75805CUPR-NF.I-com.com. [online PDF] 2 pgs.
Uploaded Oct. 22, 2015 [Retrieved on Aug. 10, 2017] http://www.I-com.com/multimedia/eng_drawings/HG75805CUPR-NF.pdf.*

(Continued)

Primary Examiner — Susan Bennett Hattan

Assistant Examiner — Marie D. Fast Horse

(74) *Attorney, Agent, or Firm* — Condo Roccia Koptiw
LLP

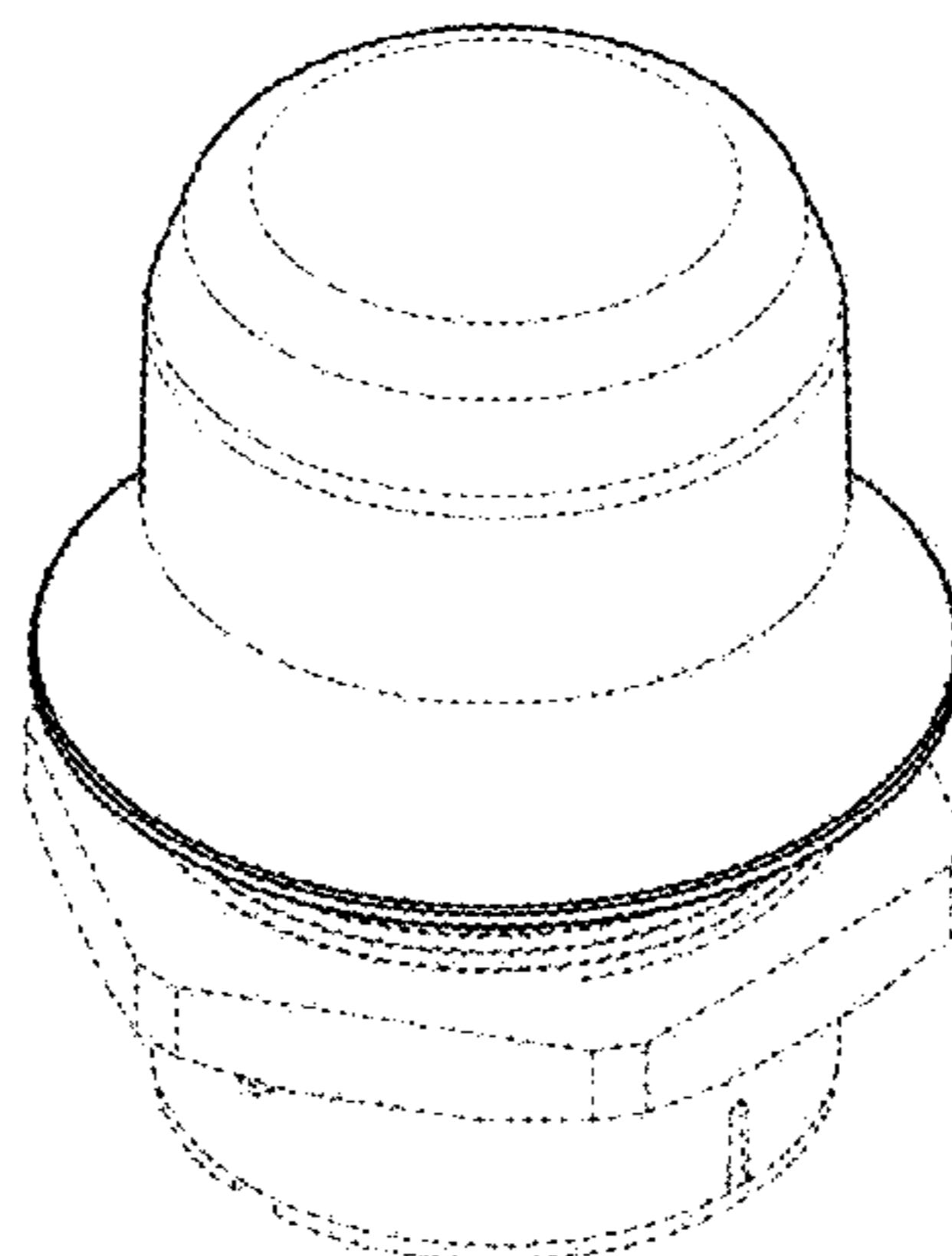
(57) **CLAIM**

The ornamental design for communications equipment, as shown and described.

DESCRIPTION

FIG. 1 is a first perspective view of a first embodiment of communications equipment embodying my new design; FIG. 2 is a second perspective view of the communications equipment of FIG. 1; FIG. 3 is a first side view of the communications equipment of FIG. 1; FIG. 4 is a second side view of the communications equipment of FIG. 1; FIG. 5 is a third side view of the communications equipment of FIG. 1; FIG. 6 is a fourth side view of the communications equipment of FIG. 1; and, FIG. 7 is a top view of the communications equipment of FIG. 1.

1 Claim, 7 Drawing Sheets



(56)

References Cited

U.S. PATENT DOCUMENTS

4,878,062 A * 10/1989 Craven H01Q 21/26
 343/797
 D304,944 S * 12/1989 Behringer D14/188
 D320,990 S * 10/1991 Scott D14/230
 D338,206 S * 8/1993 Sawaguchi D14/230
 D347,436 S * 5/1994 Tang D14/230
 D468,654 S * 1/2003 Wunsch D10/104.1
 D513,477 S * 1/2006 Heftman D10/111
 D516,043 S * 2/2006 Jacoby D13/165
 D525,231 S * 7/2006 McMillen D14/149
 D531,626 S * 11/2006 Agrawal D14/233
 D566,698 S * 4/2008 Choi D14/240
 D570,722 S * 6/2008 Taylor D10/114.8
 D592,650 S * 5/2009 Tsang D14/242
 D624,543 S * 9/2010 Kettula D14/218
 D625,299 S * 10/2010 Kits van Heyningen ... D14/233
 D634,308 S * 3/2011 Bliss D14/233
 D684,136 S * 6/2013 Ohno D14/203.6
 D704,177 S * 5/2014 Chun D14/240
 D704,178 S * 5/2014 Kwak D14/240
 D724,583 S * 3/2015 Ge D14/358
 D725,088 S * 3/2015 Kwak D14/240
 D730,349 S * 5/2015 Burmeister-Brown D14/358
 D773,443 S * 12/2016 Sano D14/230

D775,612 S * 1/2017 Sano D14/230
 D778,888 S * 2/2017 Geiger D14/240
 D787,482 S * 5/2017 Jang D14/230
 2004/0192415 A1* 9/2004 Luglio H04B 1/38
 455/575.1
 2005/0110649 A1* 5/2005 Fredericks B64D 47/06
 340/815.45
 2010/0295749 A1* 11/2010 Vanliere H01Q 1/42
 343/872
 2012/0061518 A1* 3/2012 Taeger H01Q 1/088
 244/131

OTHER PUBLICATIONS

Anybus-wireless-bolt. anybus.com. [online PDF] 2 pgs. Uploaded
 2014 [Retrieved on Aug. 11, 2017] https://www.anybus.com/docs/librariesprovider7/default-document-library/brochures-datasheets/anybus-wireless-bolt.*
 Communications—Network—antenna devices. (Design—©
 Questel). orbit.com. [online PDF] 61 pgs. Print Dates range Nov. 13,
 2002 through Jun. 29, 2016 [retrieved on Aug. 11, 2017] https://sobjprd.questel.fr/export/QPTUJ214/pdf2/06dd4bbc-705c-4e00-be9c-34ea6df9f533-194532.pdf.*

* cited by examiner

FIG. 1

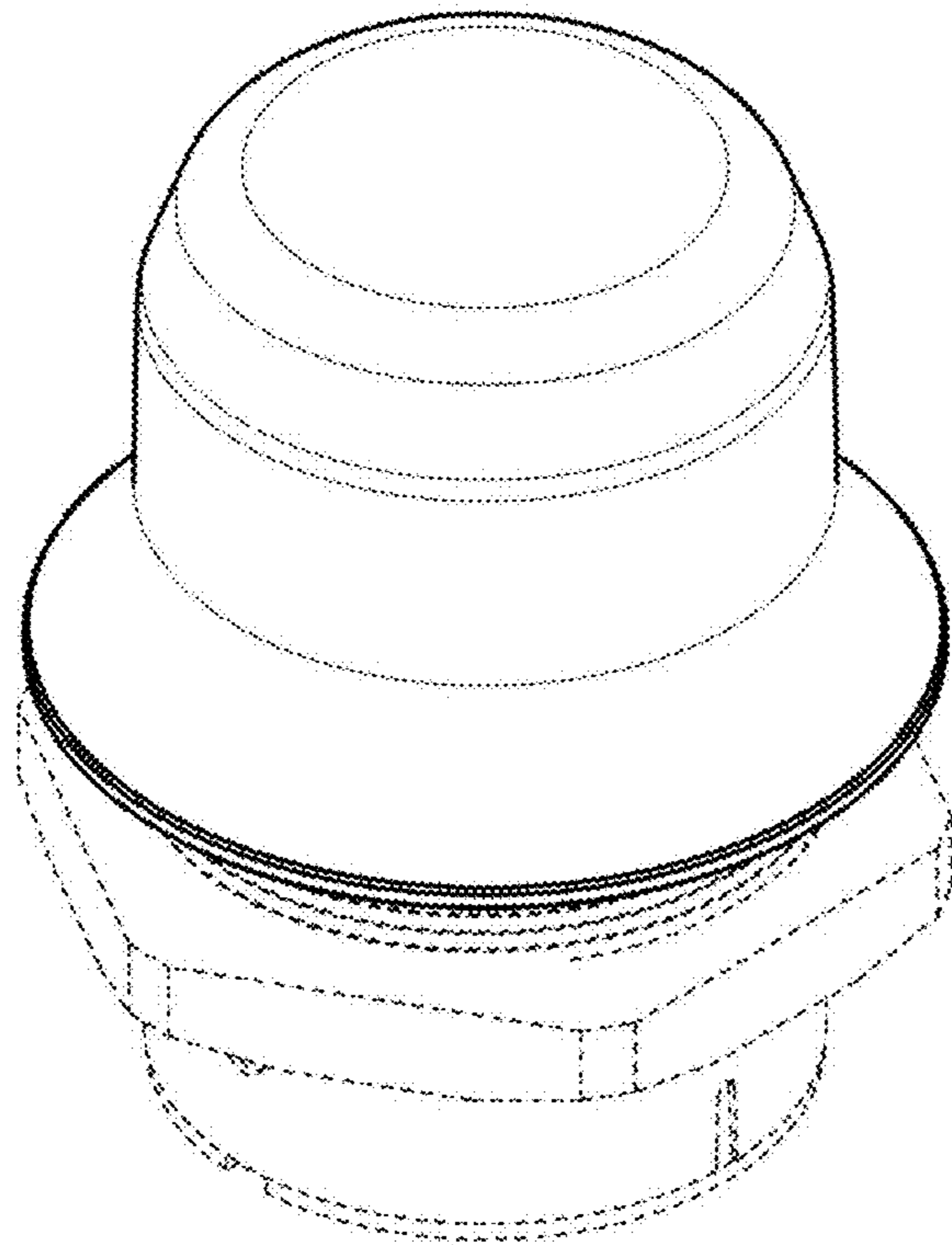


FIG. 2

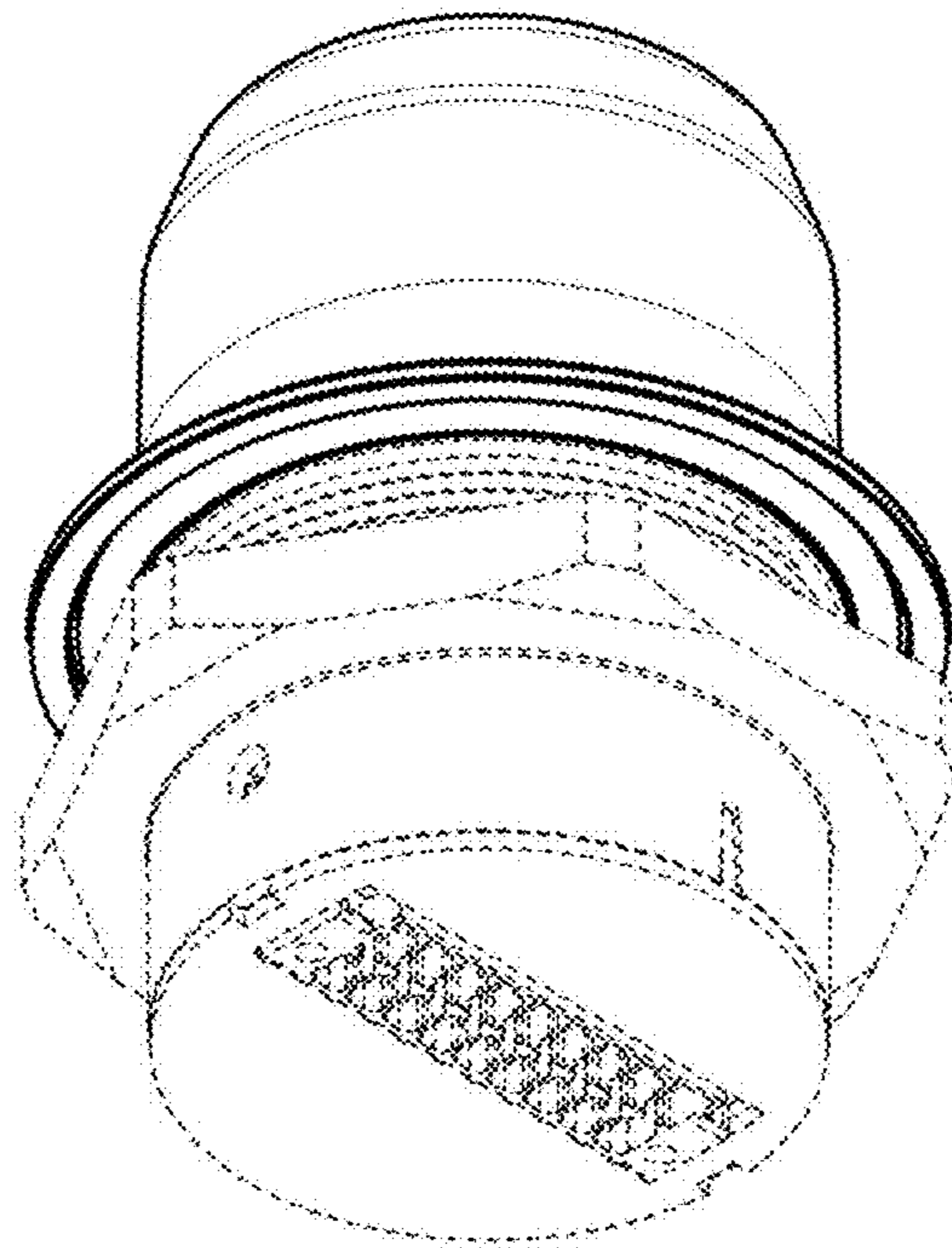


FIG. 3

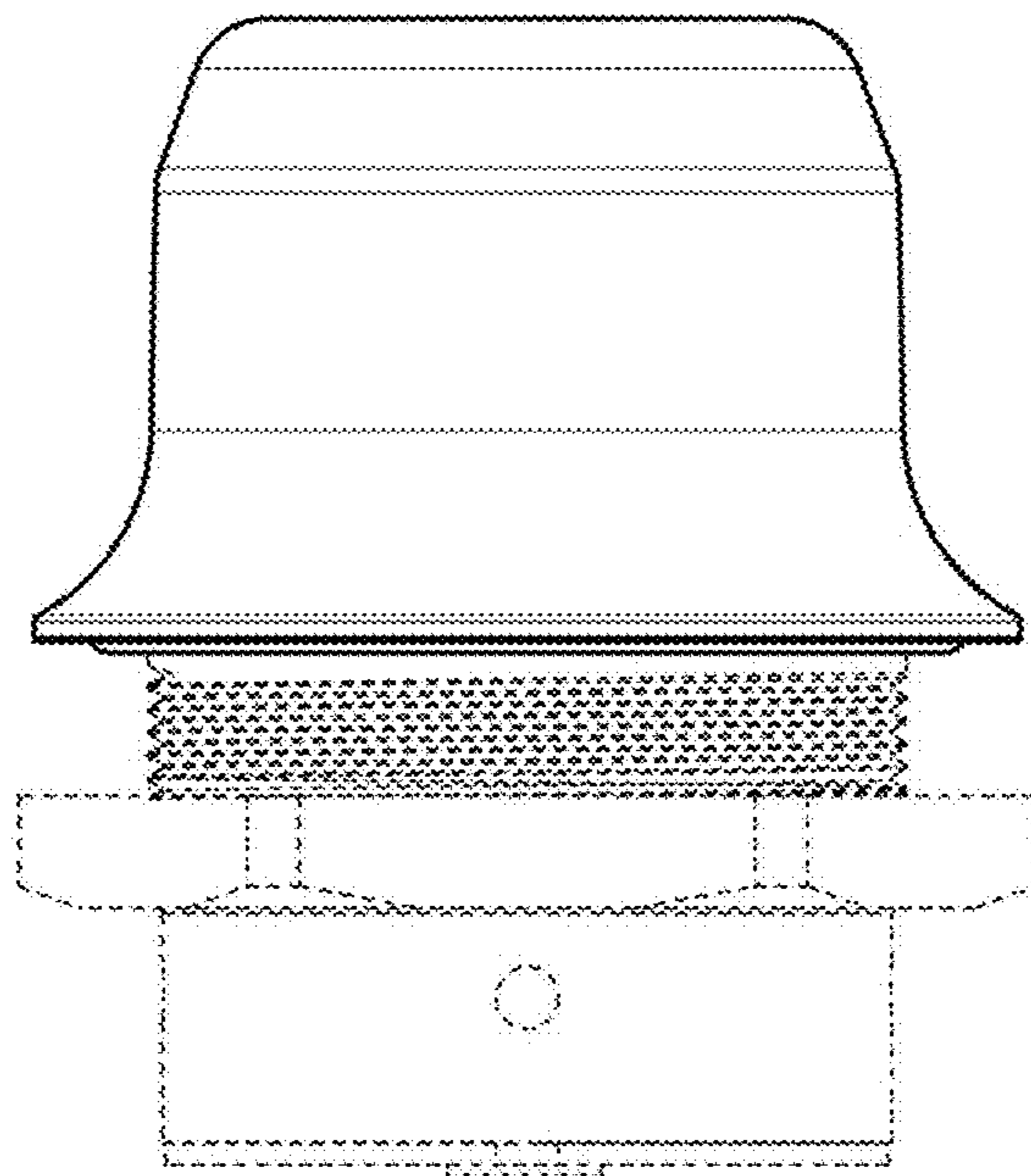


FIG. 4

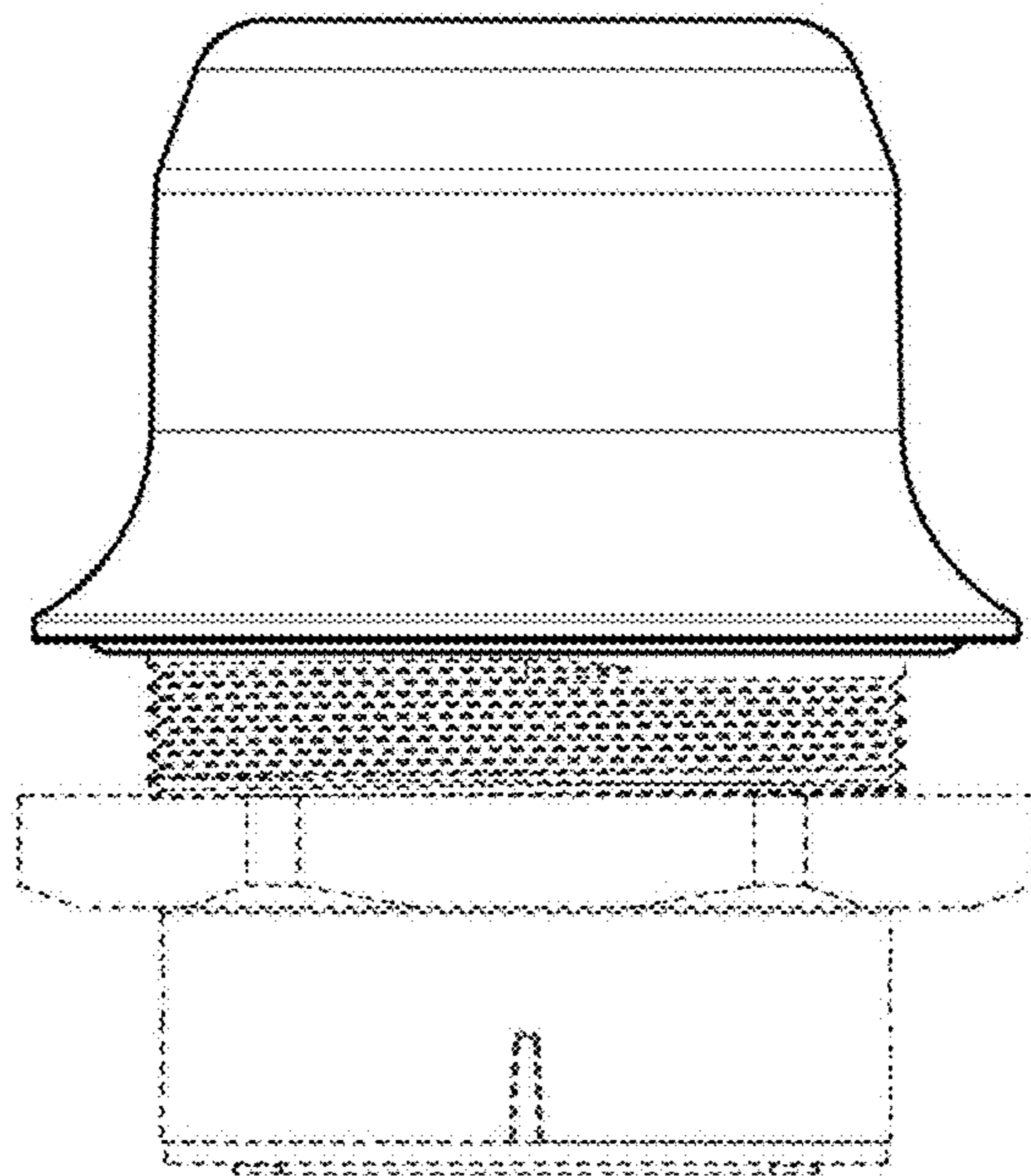


FIG. 5

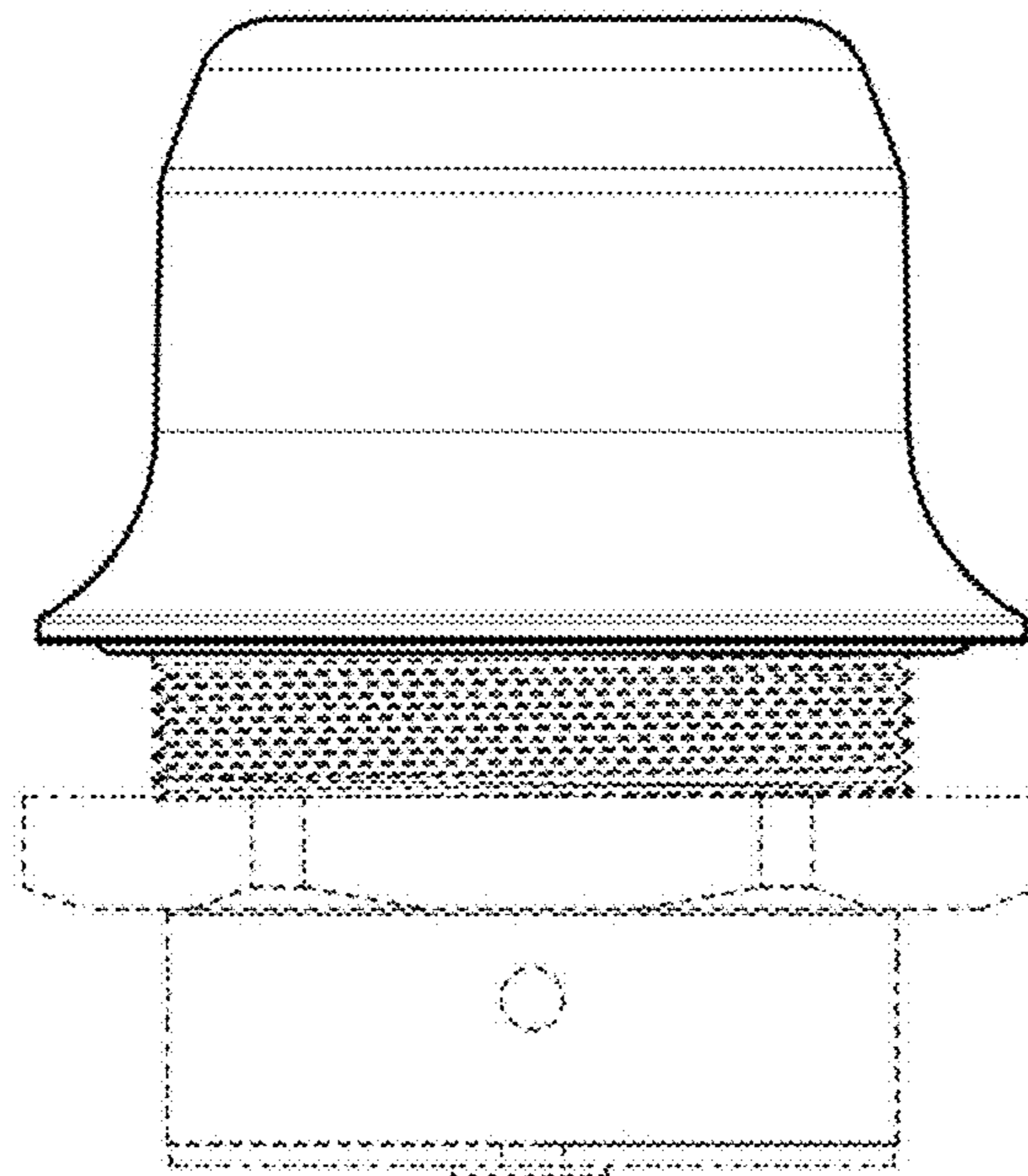


FIG. 6

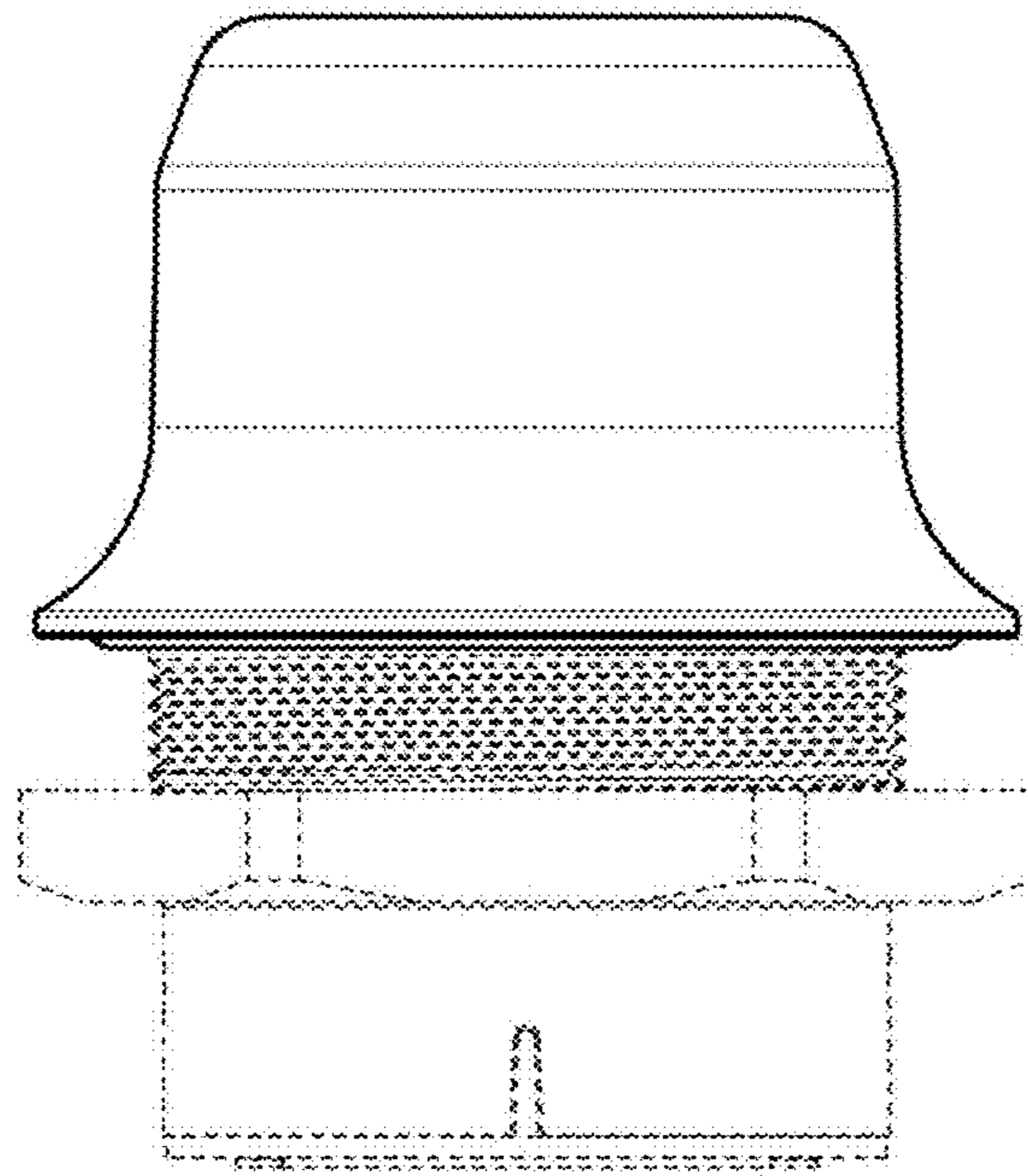


FIG. 7

