



US00D806690S

(12) **United States Design Patent**  
**Schimon**

(10) **Patent No.:** **US D806,690 S**

(45) **Date of Patent:** **\*\* Jan. 2, 2018**

(54) **FLAT SCREEN TELEVISION OR MONITOR FRAME**

7,808,563 B2 10/2010 Sanchez  
8,134,651 B1 \* 3/2012 Reid ..... H04N 5/64  
312/7.2

(71) Applicant: **John Schimon**, Tucson, AZ (US)

D676,028 S \* 2/2013 Saeki ..... D14/239

D712,855 S \* 9/2014 Thompson ..... D14/126

(72) Inventor: **John Schimon**, Tucson, AZ (US)

D712,857 S \* 9/2014 Thompson ..... D14/126

D756,337 S \* 5/2016 Santiago ..... D14/126

(\*\*) Term: **15 Years**

\* cited by examiner

(21) Appl. No.: **29/583,293**

*Primary Examiner* — Randall Gholson

(22) Filed: **Nov. 3, 2016**

(74) *Attorney, Agent, or Firm* — Gavin J.

(51) **LOC (11) Cl.** ..... **14-03**

Milczarek-Desai; Quarles & Brady LLP

(52) **U.S. Cl.**

USPC ..... **D14/239**

(58) **Field of Classification Search**

(57) **CLAIM**

USPC ..... D14/125–134, 239, 371, 136, 374–377,  
D14/440, 450, 448, 336, 342, 159;  
312/7.2; 348/836, 838, 180, 184, 325,  
348/739; 248/917–924, 465; 345/104,  
345/133, 156, 168, 87, 173; D21/329,  
D21/515, 577, 622, 333, 433, 448, 452,  
D21/450, 331, 505; D10/15, 26;  
446/484, 175, 356; D6/477, 479, 300;  
D24/185; D34/14

The ornamental design for a flat screen television or monitor frame, as shown and described.

CPC ... G06F 1/1601; G06F 1/1643; H05K 5/0004;  
H05K 5/0017; H05K 5/02; H05K 5/0217

See application file for complete search history.

**DESCRIPTION**

FIG. 1 is a front perspective view of the flat screen television or monitor frame design.

FIG. 2 is a front elevational view of the design of FIG. 1.

FIG. 3 is the back elevational view of the design of FIG. 1.

FIG. 4 is the left side elevational view of the design of FIG. 1.

FIG. 5 is the right side elevational view of the design of FIG. 1.

FIG. 6 is the bottom view of the design of FIG. 1; and,

FIG. 7 is the top view of the design of FIG. 1.

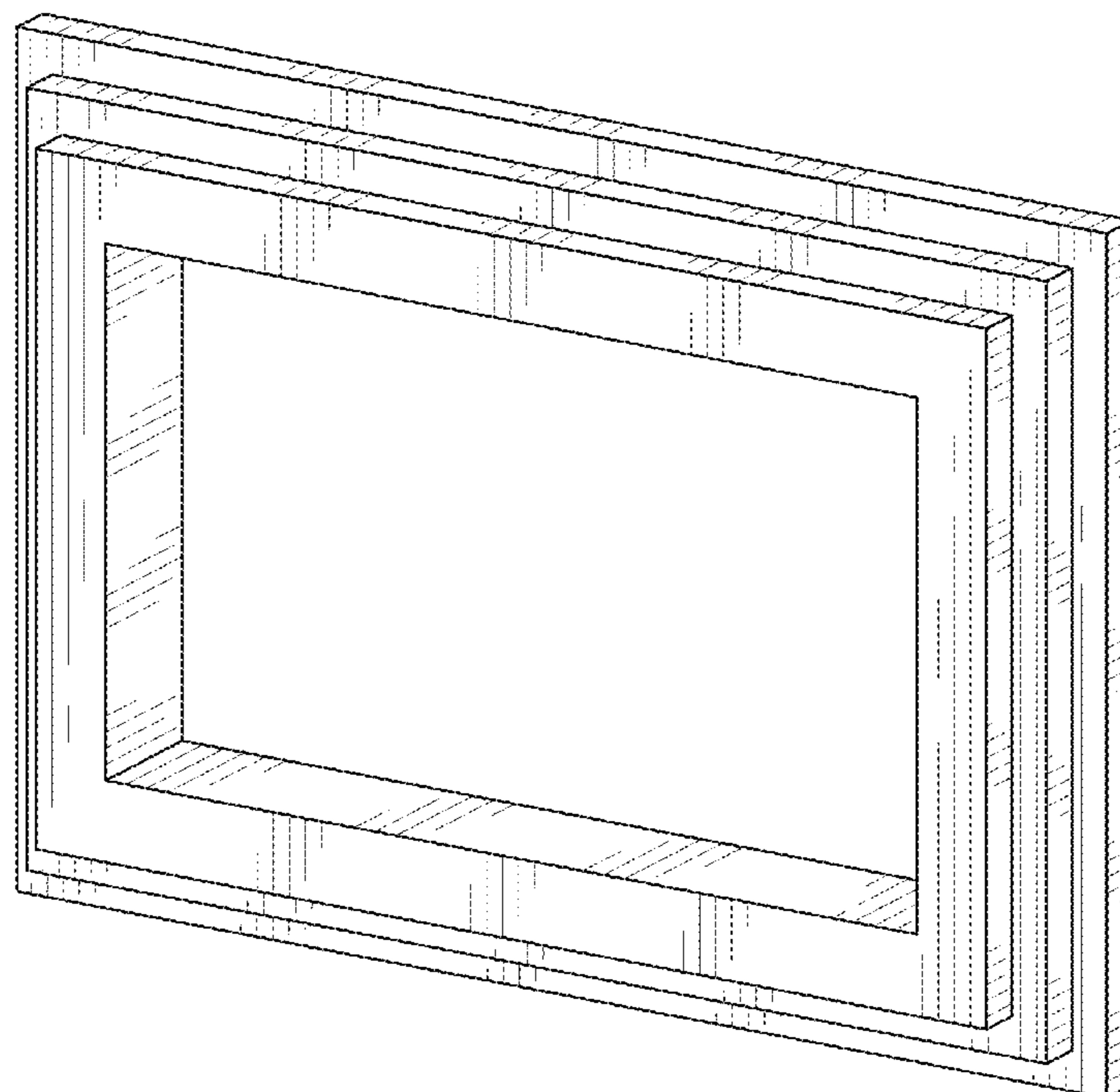
(56) **References Cited**

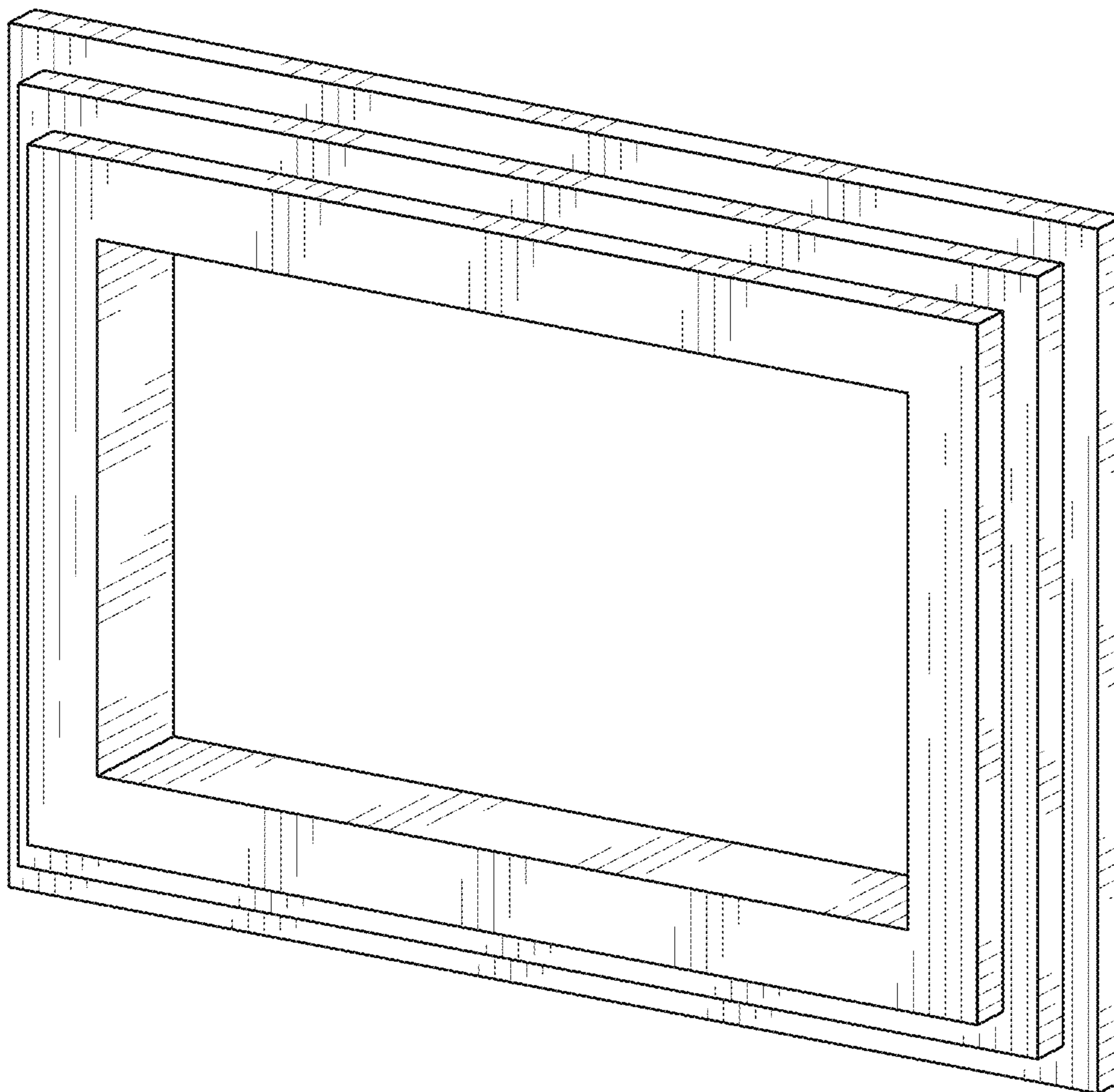
**U.S. PATENT DOCUMENTS**

3,294,905 A \* 12/1966 Jonassen ..... H04N 5/645  
312/7.2

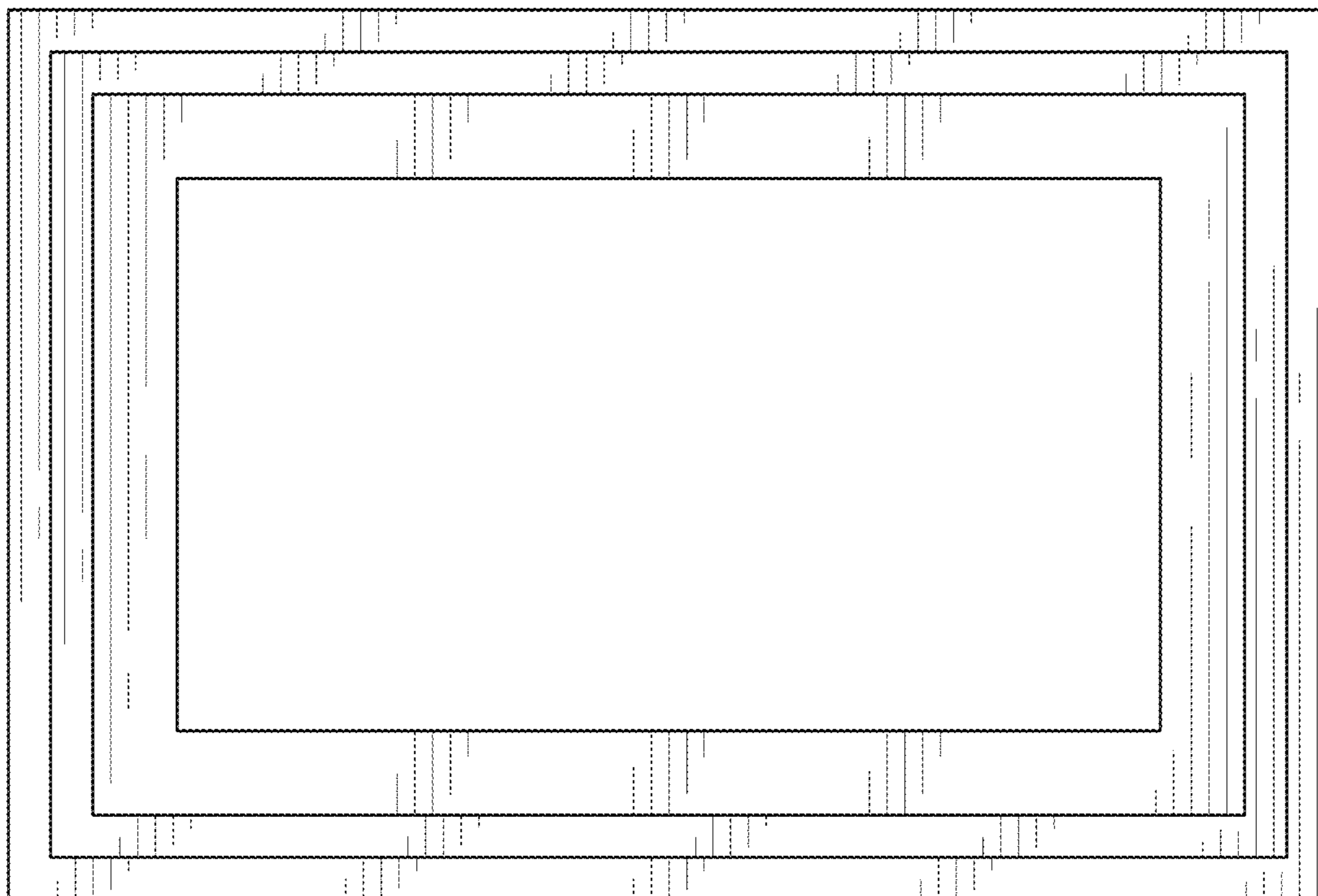
D613,075 S 4/2010 DeNicola

**1 Claim, 4 Drawing Sheets**

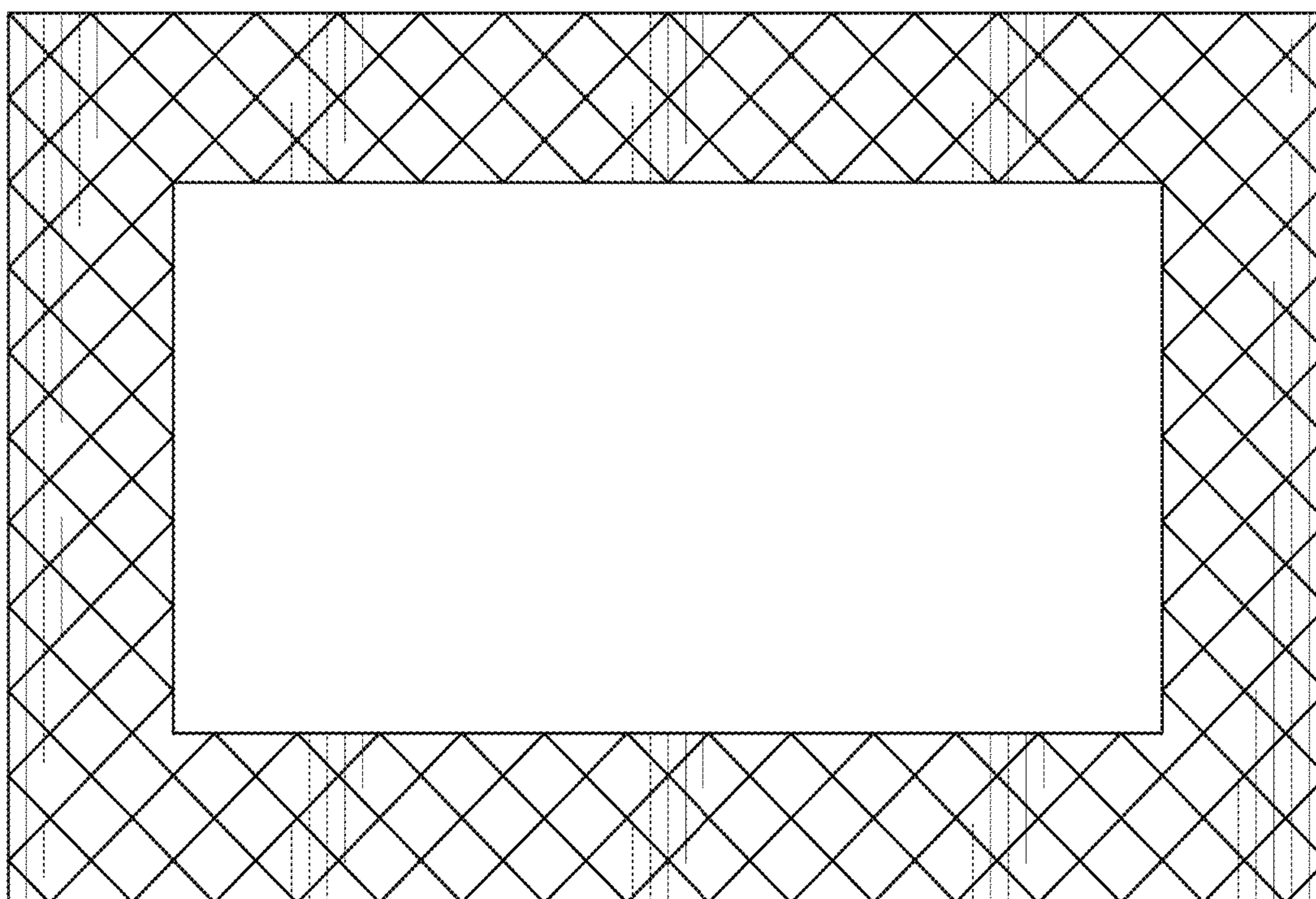




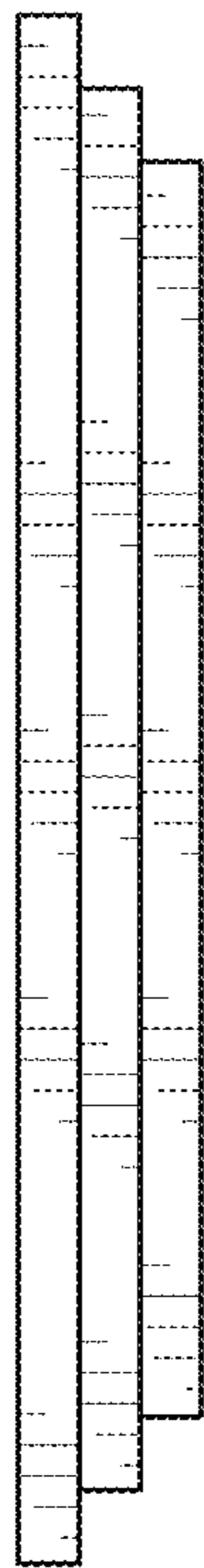
**FIG. 1**



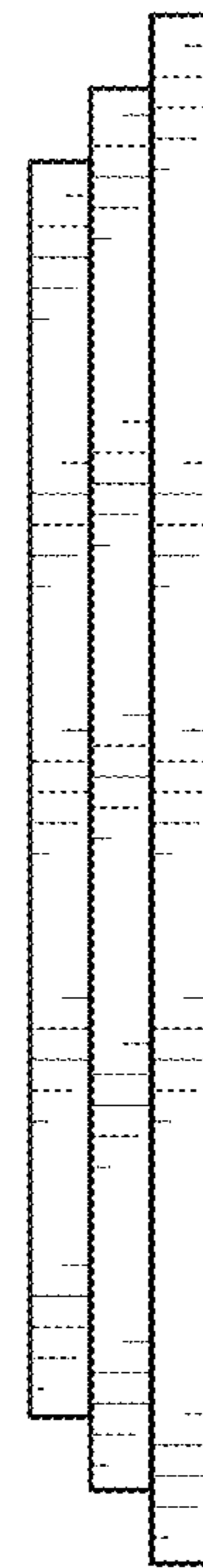
**FIG. 2**



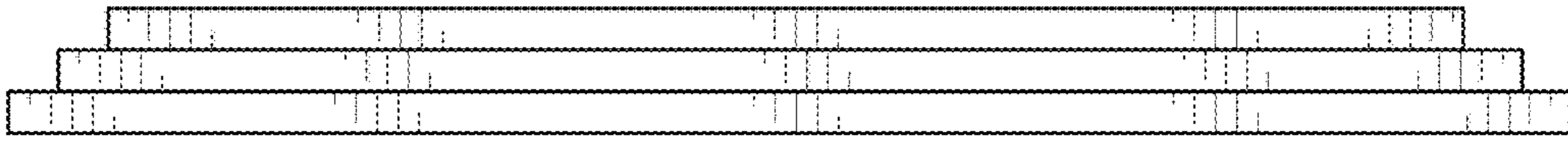
**FIG. 3**



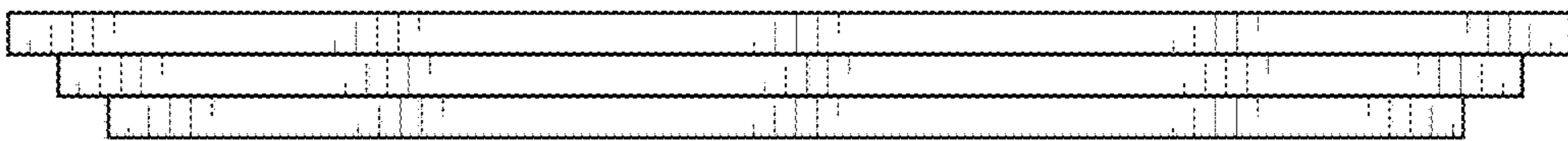
**FIG. 4**



**FIG. 5**



**FIG. 6**



**FIG. 7**