



US00D806689S

(12) **United States Design Patent** (10) **Patent No.:** **US D806,689 S**  
**Deng** (45) **Date of Patent:** **\*\* Jan. 2, 2018**

(54) **ANTENNA**  
(71) Applicant: **Aiju Deng**, Guangdong (CN)  
(72) Inventor: **Aiju Deng**, Guangdong (CN)  
(\*\*) Term: **15 Years**

(21) Appl. No.: **29/543,860**  
(22) Filed: **Oct. 28, 2015**  
(51) **LOC (11) Cl.** ..... **14-03**  
(52) **U.S. Cl.**  
USPC ..... **D14/234**  
(58) **Field of Classification Search**  
USPC ..... D14/138, 230–238.1, 299, 358;  
D12/42–43; D13/182; D8/396;  
248/68.1  
CPC ..... H01L 33/48; H01L 33/486; H01L 23/02;  
H05K 5/00; H01Q 13/10; H01Q 7/00;  
F16L 3/2235; F16L 3/227; Y10T  
403/7141

See application file for complete search history.

(56) **References Cited**

**U.S. PATENT DOCUMENTS**

2,419,673	A *	4/1947	Busignies	.....	H01Q 7/00 174/79
D175,733	S *	10/1955	Kumpis et al.	.....	D14/236
D211,179	S *	5/1968	Rosenberry	.....	D14/234
D612,370	S *	3/2010	Suleiman	.....	D14/234
D612,371	S *	3/2010	Suleiman	.....	D14/234
D623,175	S *	9/2010	Suleiman	.....	D14/230
D656,131	S *	3/2012	Suleiman	.....	D14/230
D665,385	S *	8/2012	Conrad	.....	D14/230
D666,179	S *	8/2012	Gladstone	.....	D14/230
D692,869	S *	11/2013	Gladstone	.....	D14/230

D754,641	S *	4/2016	Suleiman	.....	D14/230
2004/0140942	A1 *	7/2004	Gottl	.....	H01Q 13/10 343/810
2012/0181569	A1 *	7/2012	Choi	.....	H01L 33/62 257/99

**OTHER PUBLICATIONS**

Broadwave Indoor Flat HD TV Digital Antenna, posted at ebay.com, no posting date available, © 1995-2017 eBay Inc. [online], [site visited Apr. 13, 2017]. Available from Internet, <URL: http://www.ebay.com/itm/BROADWAVE-Indoor-Flat-HD-TV-Digital-Antenna-1080p-UHF-VHF-Clear-Design-USA-/172470574493>.\*

\* cited by examiner

*Primary Examiner* — Anhdao Doan  
*Assistant Examiner* — Mary Malley  
(74) *Attorney, Agent, or Firm* — Prakash Nama; Global IP Services, PLLC

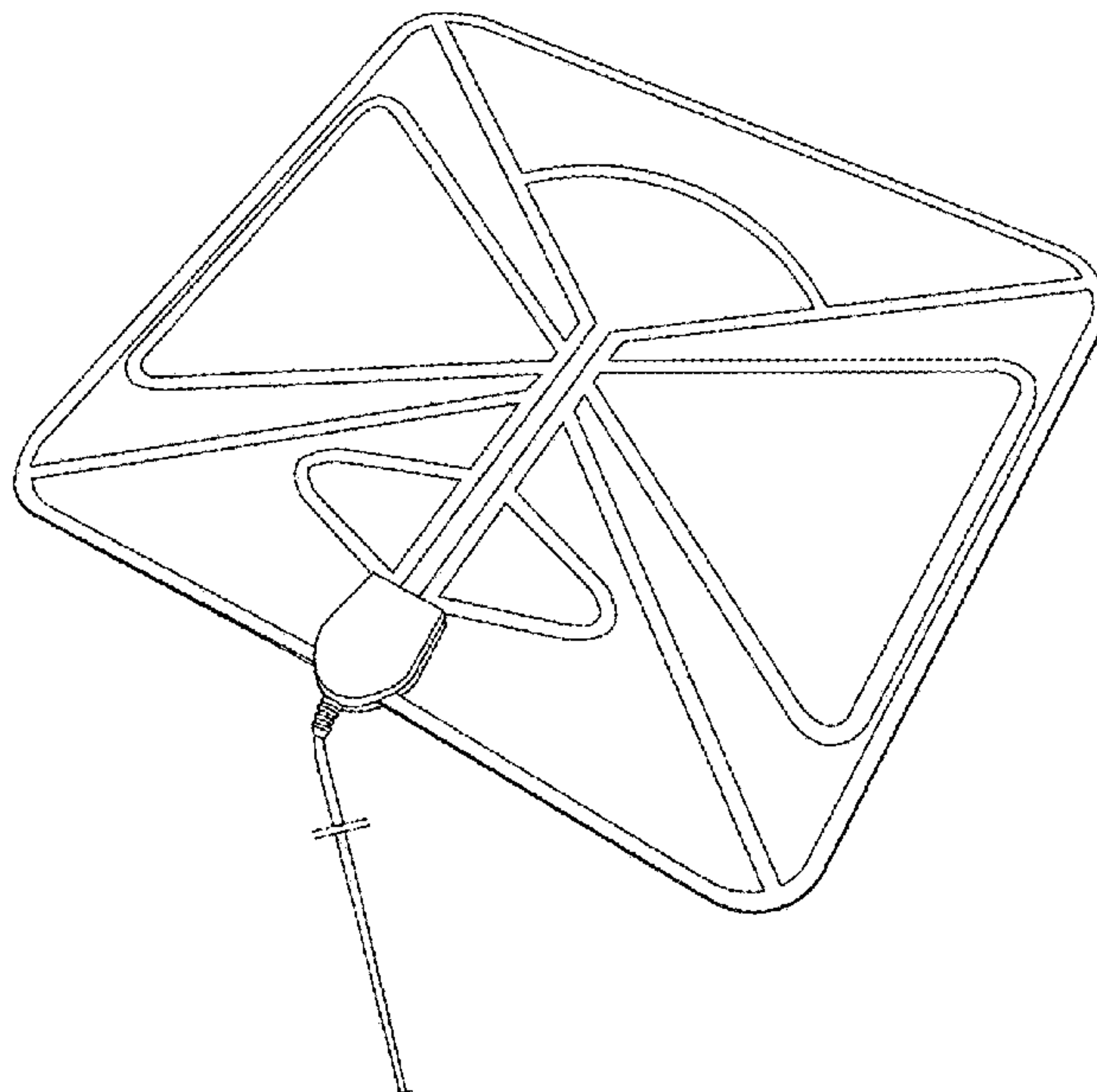
(57) **CLAIM**

The ornamental design for an antenna, as shown and described.

**DESCRIPTION**

FIG. 1 is a front elevational view of an antenna showing my new design;  
FIG. 2 is a rear elevational view thereof;  
FIG. 3 is a left side view thereof;  
FIG. 4 is a right side view thereof;  
FIG. 5 is a bottom plan view thereof;  
FIG. 6 is a top plan view thereof; and,  
FIG. 7 is a perspective view thereof.  
The wire attached to the antenna is shown with a symbolic break in its length. The appearance of any portion of the article between the break lines forms no part of the claimed design.

**1 Claim, 4 Drawing Sheets**



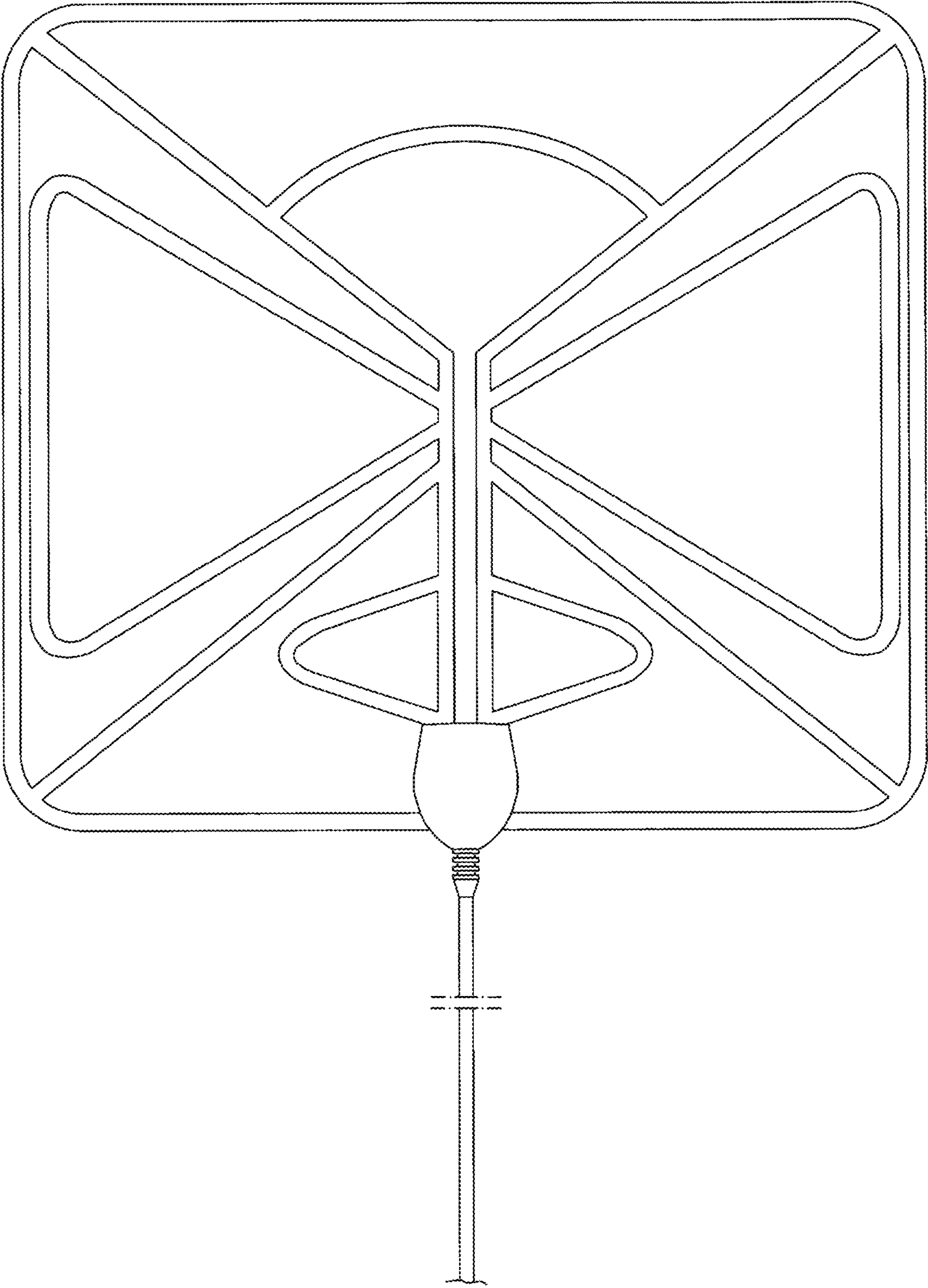


FIG. 1

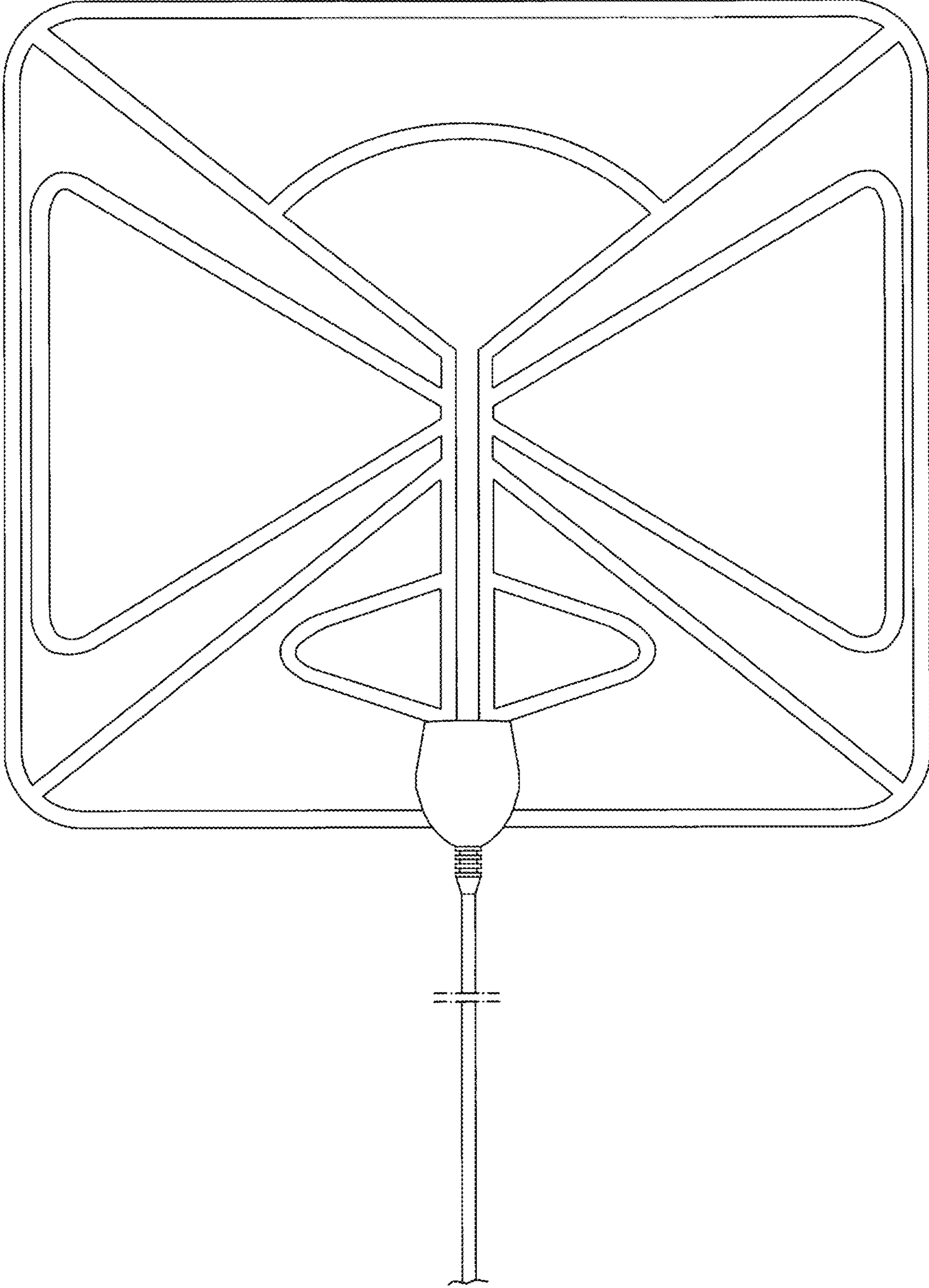


FIG. 2

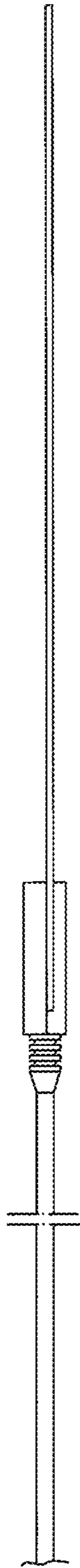


FIG. 3

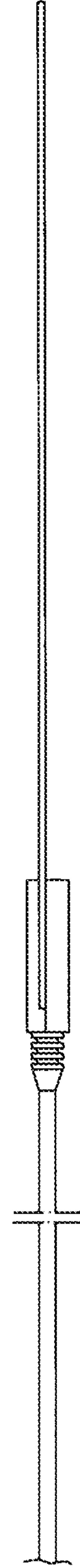


FIG. 4





FIG. 5

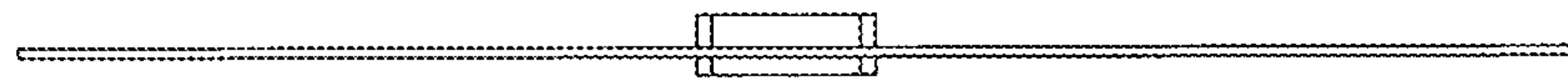


FIG. 6

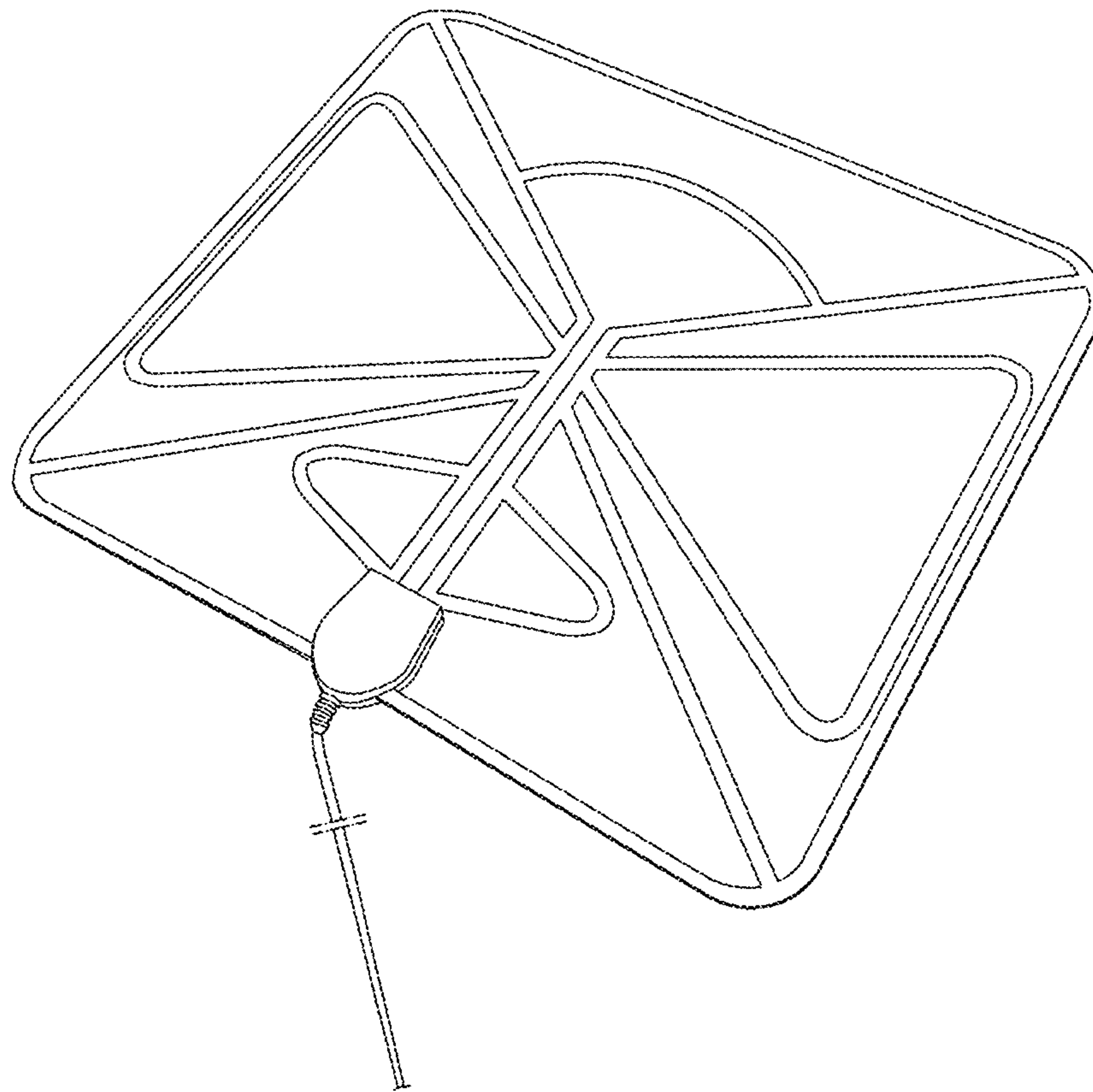


FIG. 7