



US00D806687S

(12) **United States Design Patent**
Rodriguez

(10) **Patent No.:** **US D806,687 S**
(45) **Date of Patent:** **** Jan. 2, 2018**

- (54) **HEADPHONES**
- (71) Applicant: **Tunes LLC**, Austin, TX (US)
- (72) Inventor: **Christina Rodriguez**, Austin, TX (US)
- (73) Assignee: **Tunes, LLC**, Austin, TX (US)
- (**) Term: **15 Years**
- (21) Appl. No.: **29/584,166**
- (22) Filed: **Nov. 11, 2016**
- (51) **LOC (11) Cl.** **14-01**
- (52) **U.S. Cl.**
USPC **D14/223; D14/205**
- (58) **Field of Classification Search**
USPC D14/223, 205, 188, 192; D24/174;
181/129, 130, 135; 379/430, 431;
381/380, 381, 374, 74; 455/90.3, 575.1,
455/569.1
CPC H04R 1/10; H04R 1/1066; H04R 1/1016;
H04R 25/00; H04R 1/105
See application file for complete search history.

(56) **References Cited**

U.S. PATENT DOCUMENTS

D321,879 S *	11/1991	Emmerling	D14/188
D321,881 S *	11/1991	Hopewell	D14/192
D326,653 S *	6/1992	Hino	D14/192
D384,330 S *	9/1997	Ichikawa	D13/146
D440,205 S *	4/2001	Lord	D13/147
D448,359 S *	9/2001	Do	D14/223
D457,513 S *	5/2002	Pirelli	D14/223
D463,791 S *	10/2002	Nagai	D14/205
D471,889 S *	3/2003	Rath	D14/205
D478,067 S *	8/2003	Kawakami	D14/223
D479,834 S *	9/2003	Salazar	D14/205
D494,570 S *	8/2004	Ma	D14/223
D497,613 S *	10/2004	Gwee	D14/205
D502,171 S *	2/2005	Tang	D14/205

6,868,284 B2 *	3/2005	Bae	H04M 1/05 379/428.02
D508,485 S *	8/2005	Katsumata	D14/205
D509,210 S *	9/2005	Skulley	D14/205
D509,211 S *	9/2005	Han	D14/205
D511,768 S *	11/2005	Naito	D14/205
D519,487 S *	4/2006	Knight	D14/188
D529,612 S *	10/2006	Feeley	D24/174
D543,937 S *	6/2007	Rose	D13/110
D550,202 S *	9/2007	Meier	D14/206
D582,899 S *	12/2008	Wai	D14/205
D596,624 S *	7/2009	Hong	D14/223
D603,378 S *	11/2009	Paradise	D14/223
7,639,825 B2 *	12/2009	Fukuda	H04M 1/03 381/151
D618,805 S *	6/2010	Hindhede	D24/174
D627,335 S *	11/2010	Hou	D14/223
D632,677 S *	2/2011	Brown	D14/223
D671,523 S *	11/2012	Daniel	D14/206
D691,580 S *	10/2013	Cho	D14/205

(Continued)

Primary Examiner — Paula Allen Greene
(74) *Attorney, Agent, or Firm* — Dunlap Bennett & Ludwig PLLC; Brendan E. Squire

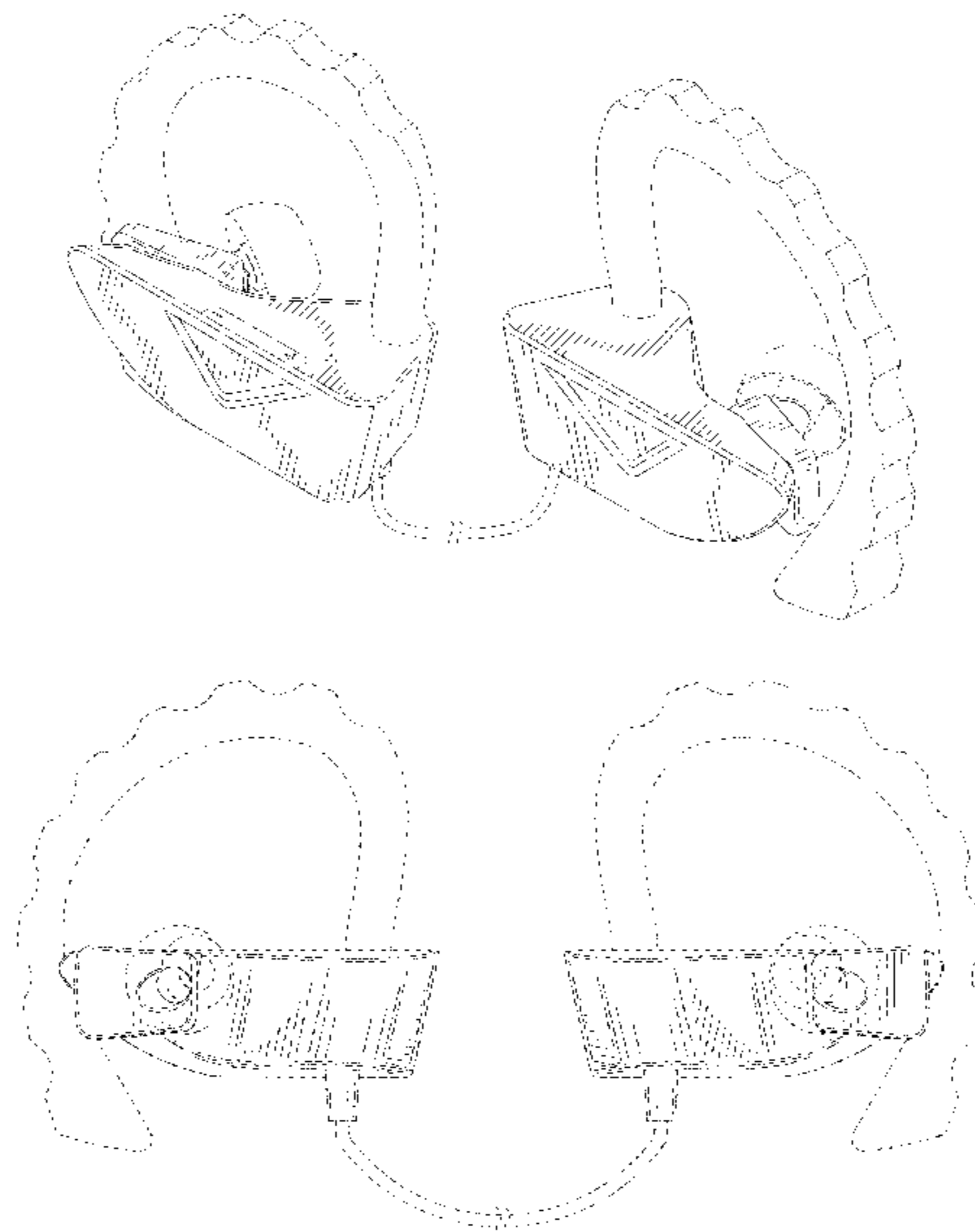
(57) **CLAIM**

The ornamental design for headphones, as shown and described.

DESCRIPTION

FIG. 1 is a perspective view of the headphones showing my new design;
FIG. 2 is a front elevation view thereof;
FIG. 3 is a rear elevation view thereof;
FIG. 4 is a right side elevation view thereof;
FIG. 5 is a left side elevation view thereof;
FIG. 6 is a bottom plan view thereof; and,
FIG. 7 is a top plan view thereof.
The broken lines shown in the drawings illustrate portions of the headphones that form no part of the claimed design.

1 Claim, 5 Drawing Sheets



(56)

References Cited

U.S. PATENT DOCUMENTS

8,548,186	B2 *	10/2013	Alwicker	H04R 1/1058 381/371
D712,382	S *	9/2014	Brunner	D14/223
D716,769	S *	11/2014	Lee	D14/223
D734,744	S *	7/2015	Brunner	D14/223
D735,169	S *	7/2015	Shieh	D14/223
D741,299	S *	10/2015	Brunner	D14/223
D743,945	S *	11/2015	Brunner	D14/223
D743,946	S *	11/2015	Brunner	D14/223
D767,532	S *	9/2016	Jen	D14/205
D775,610	S *	1/2017	Nakajima	D14/223
D780,721	S *	3/2017	Brunner	D14/223
D795,226	S *	8/2017	Lian	D14/217
D796,490	S *	9/2017	Lian	D14/217
D797,079	S *	9/2017	Houle	D14/223
2015/0155147	A1 *	6/2015	Makarov	H01J 49/004 250/282

* cited by examiner

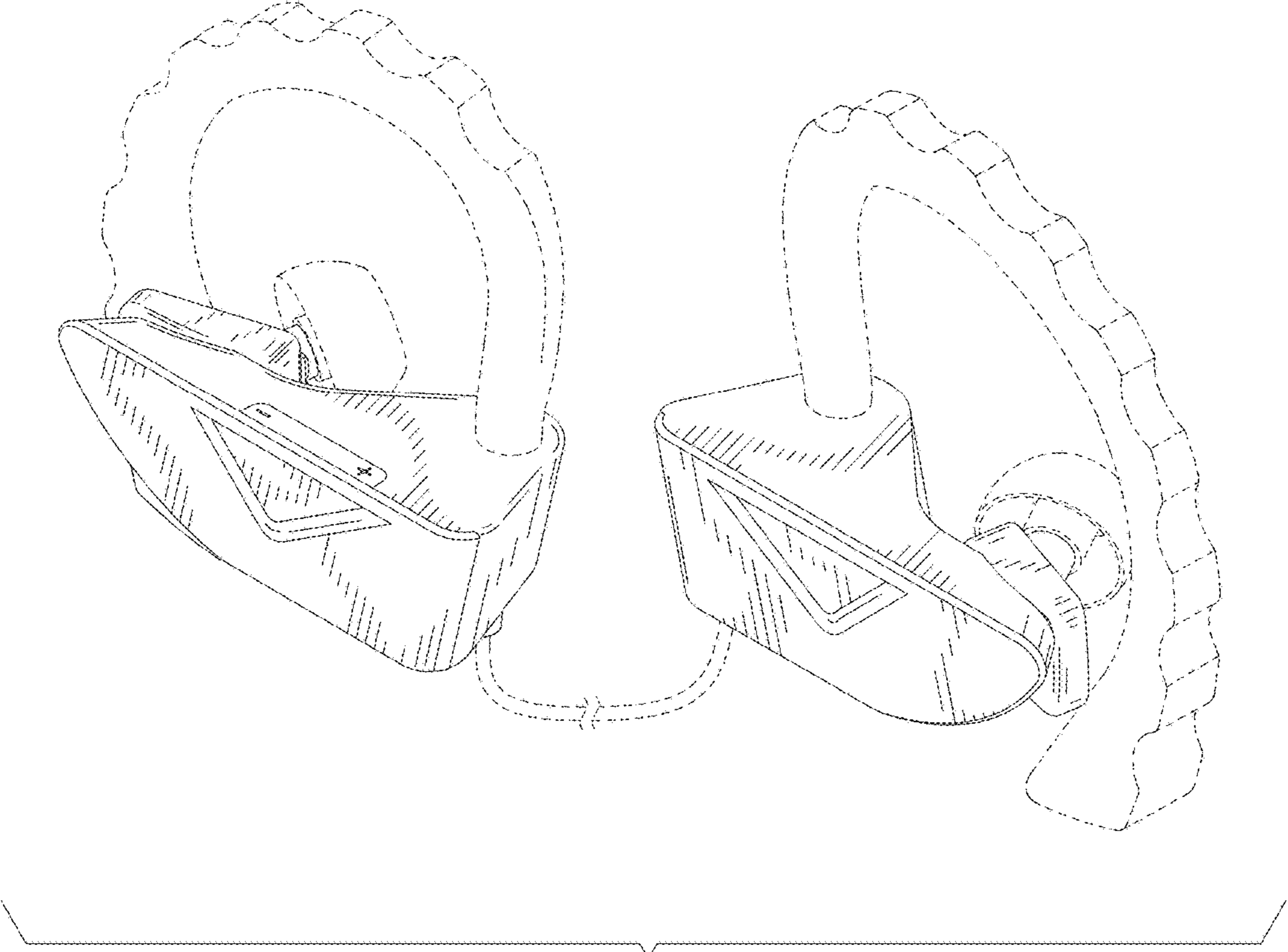


FIG.1

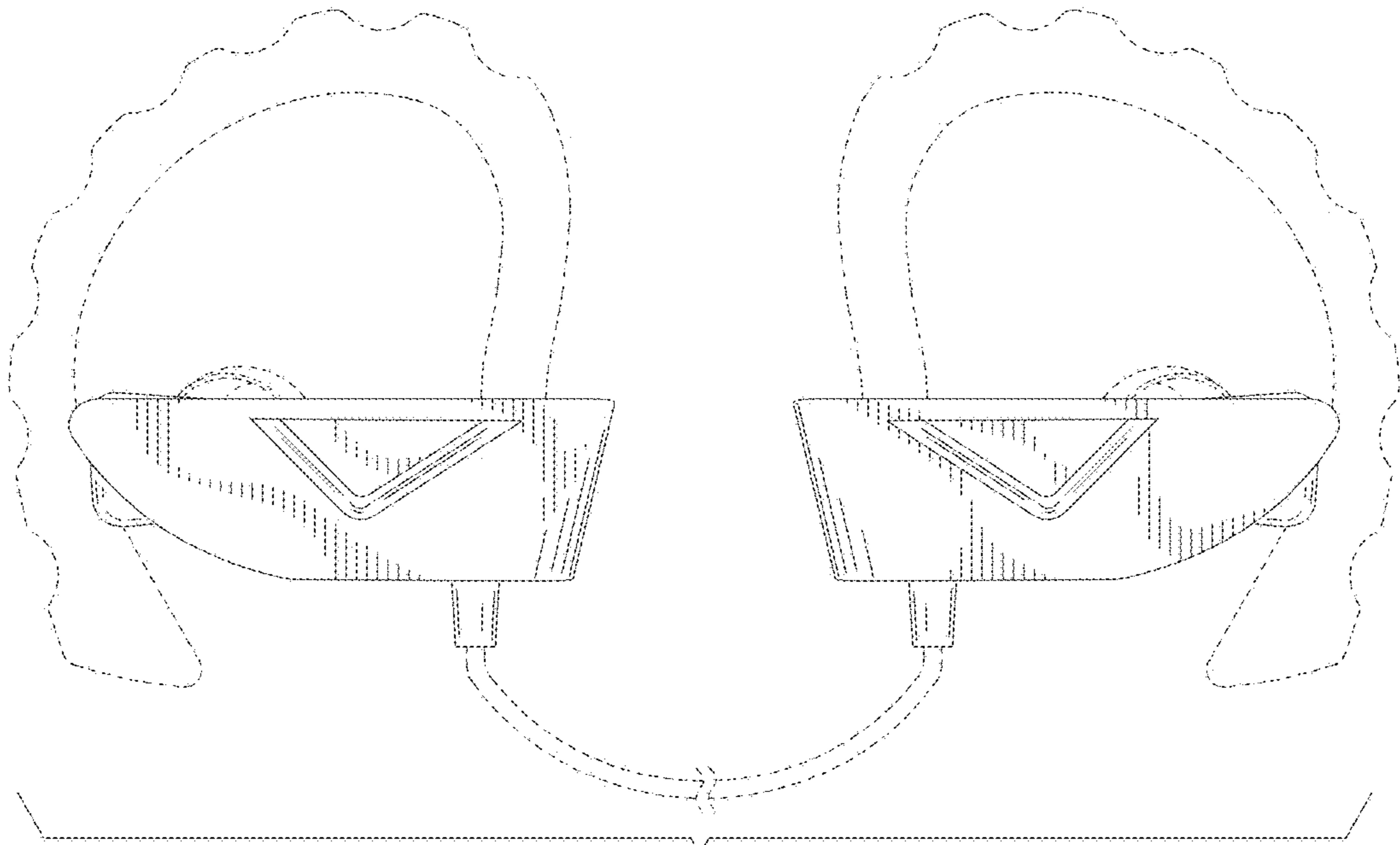


FIG. 2

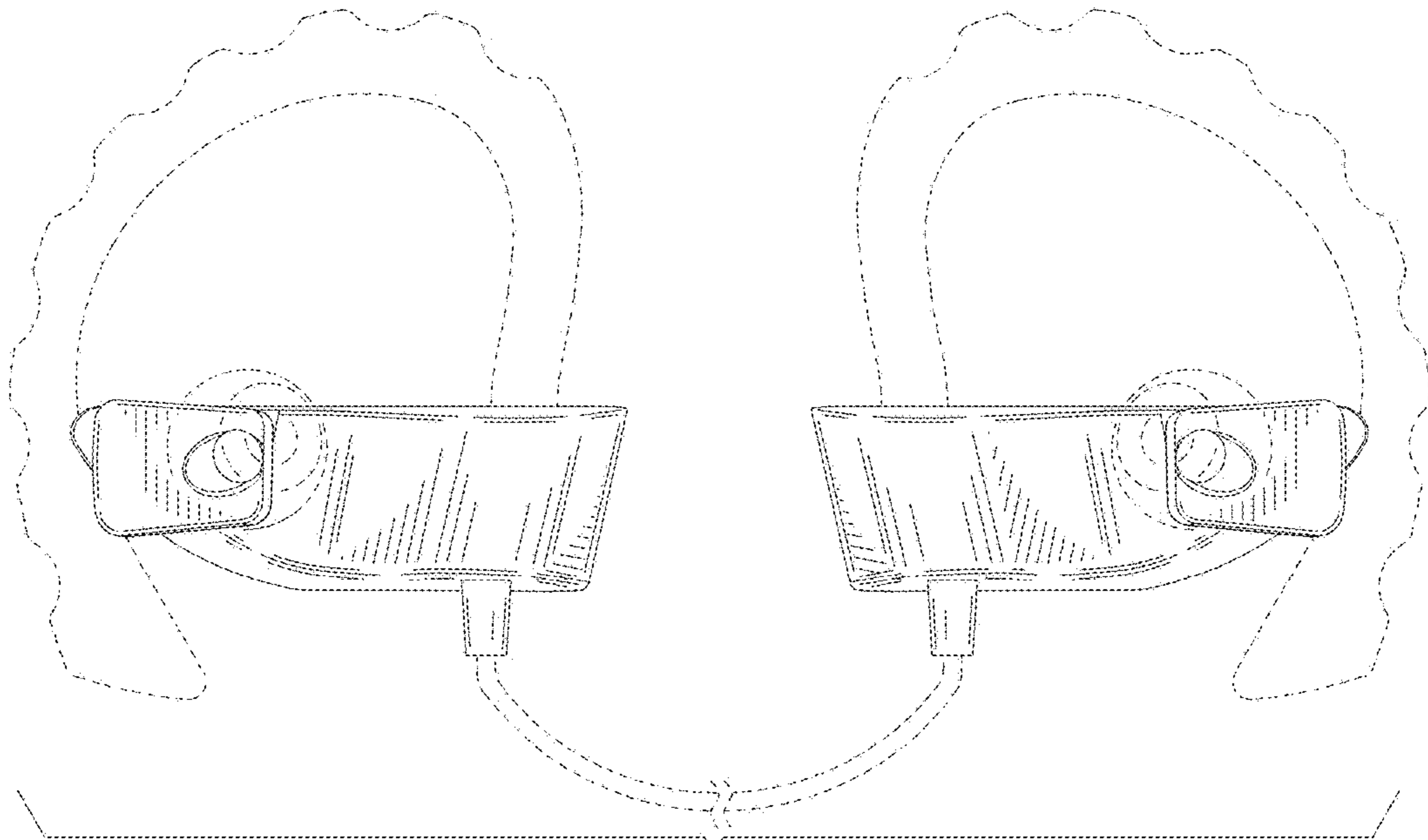


FIG. 3

FIG. 4

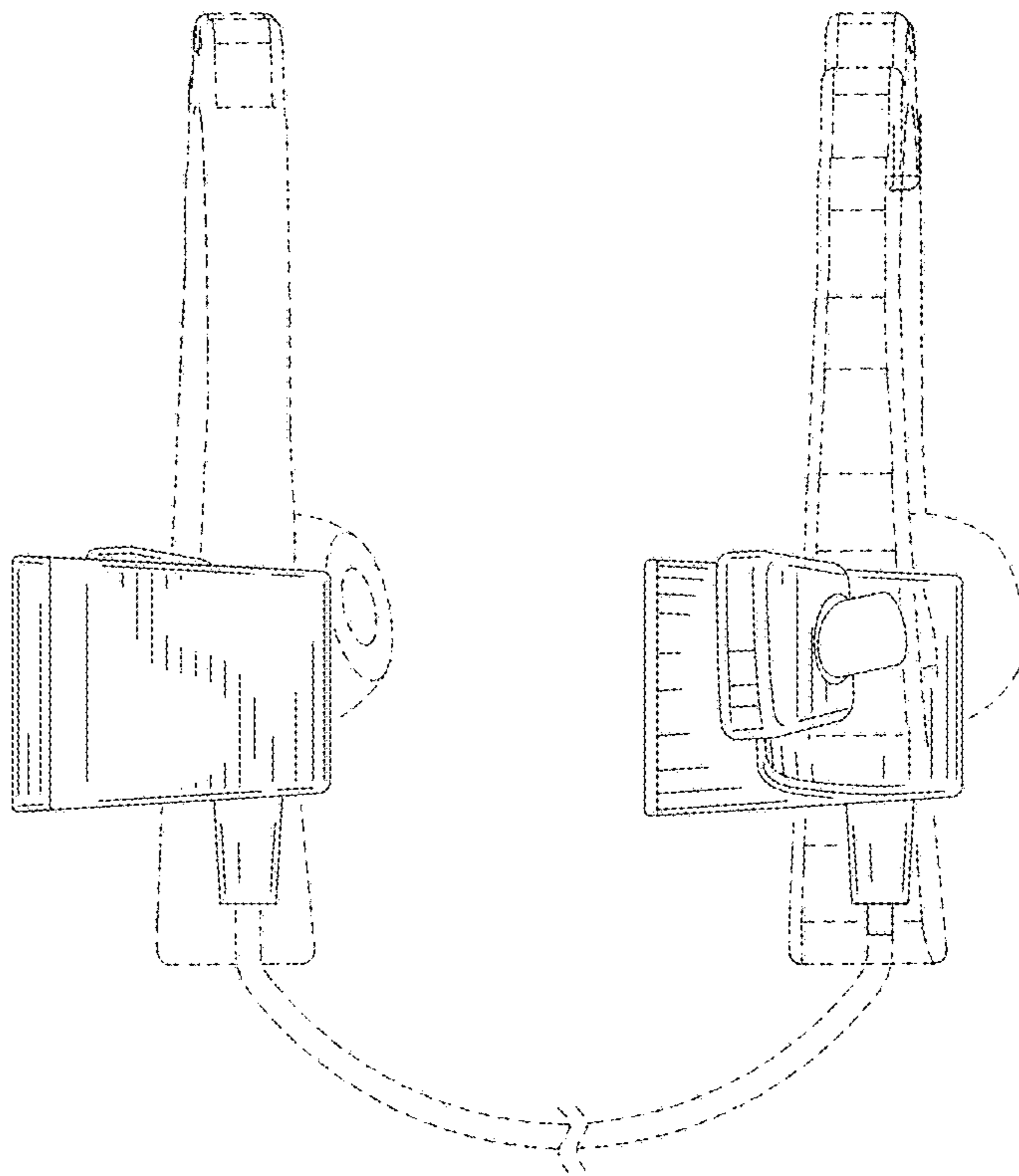
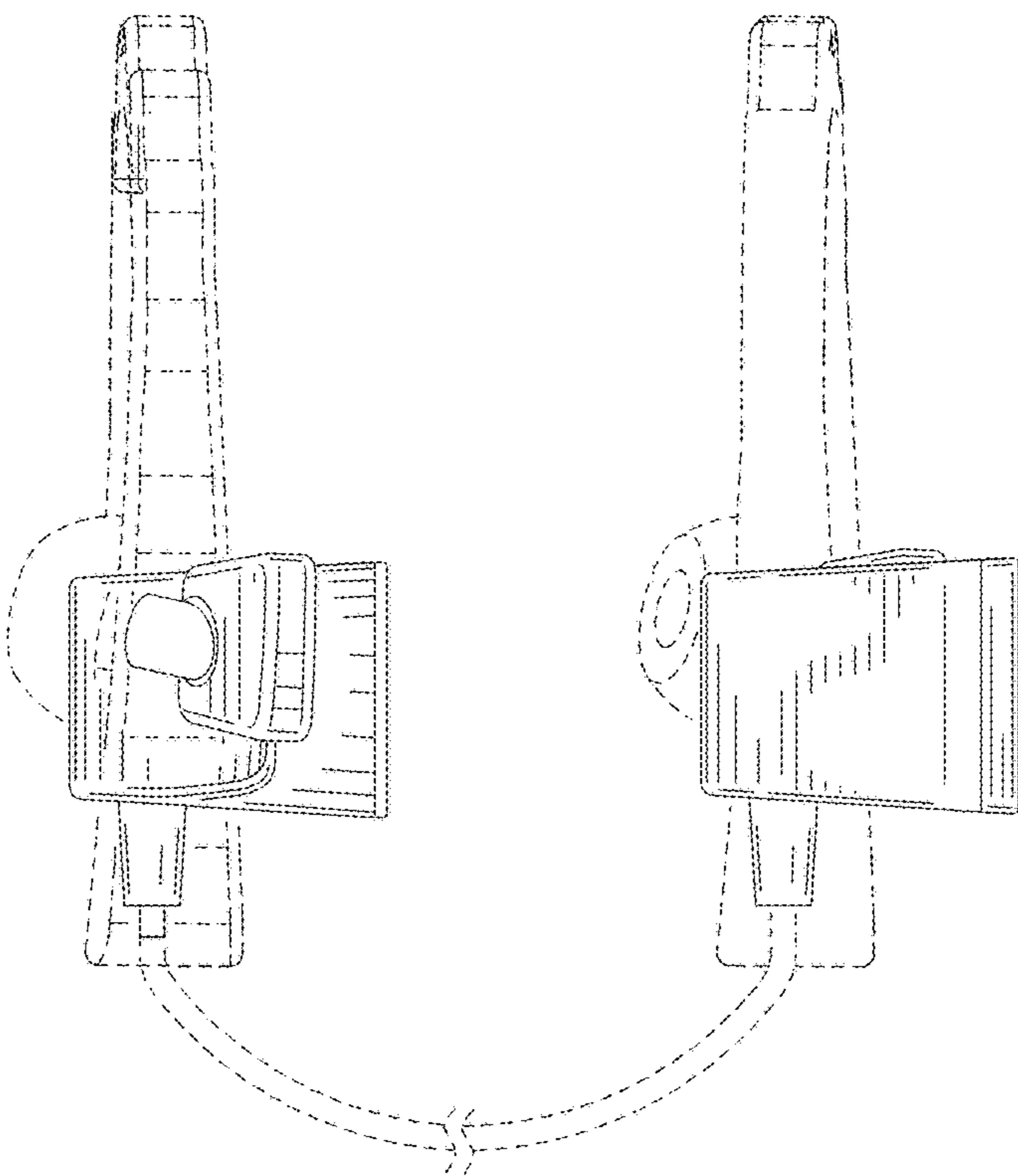


FIG. 5



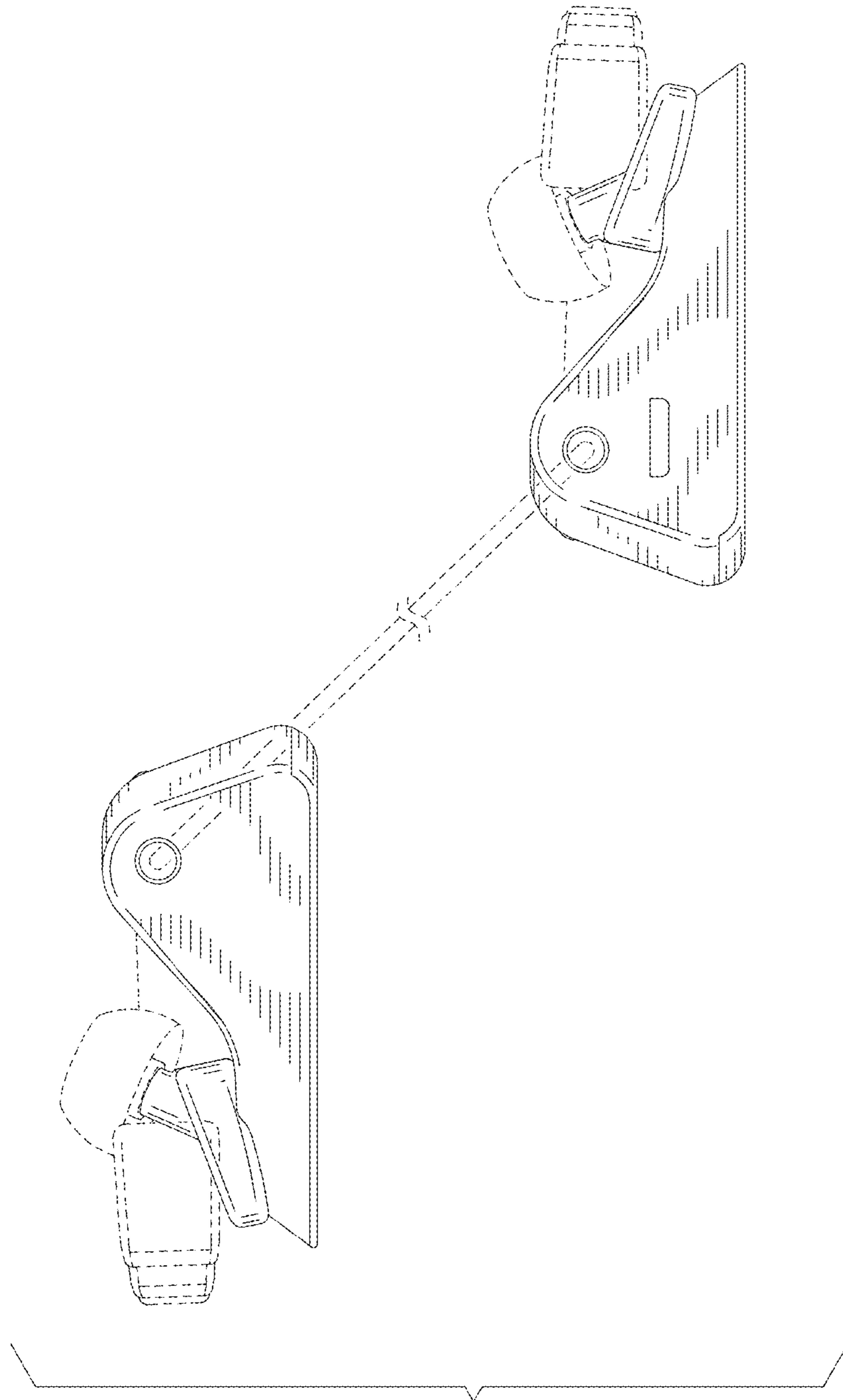


FIG. 6

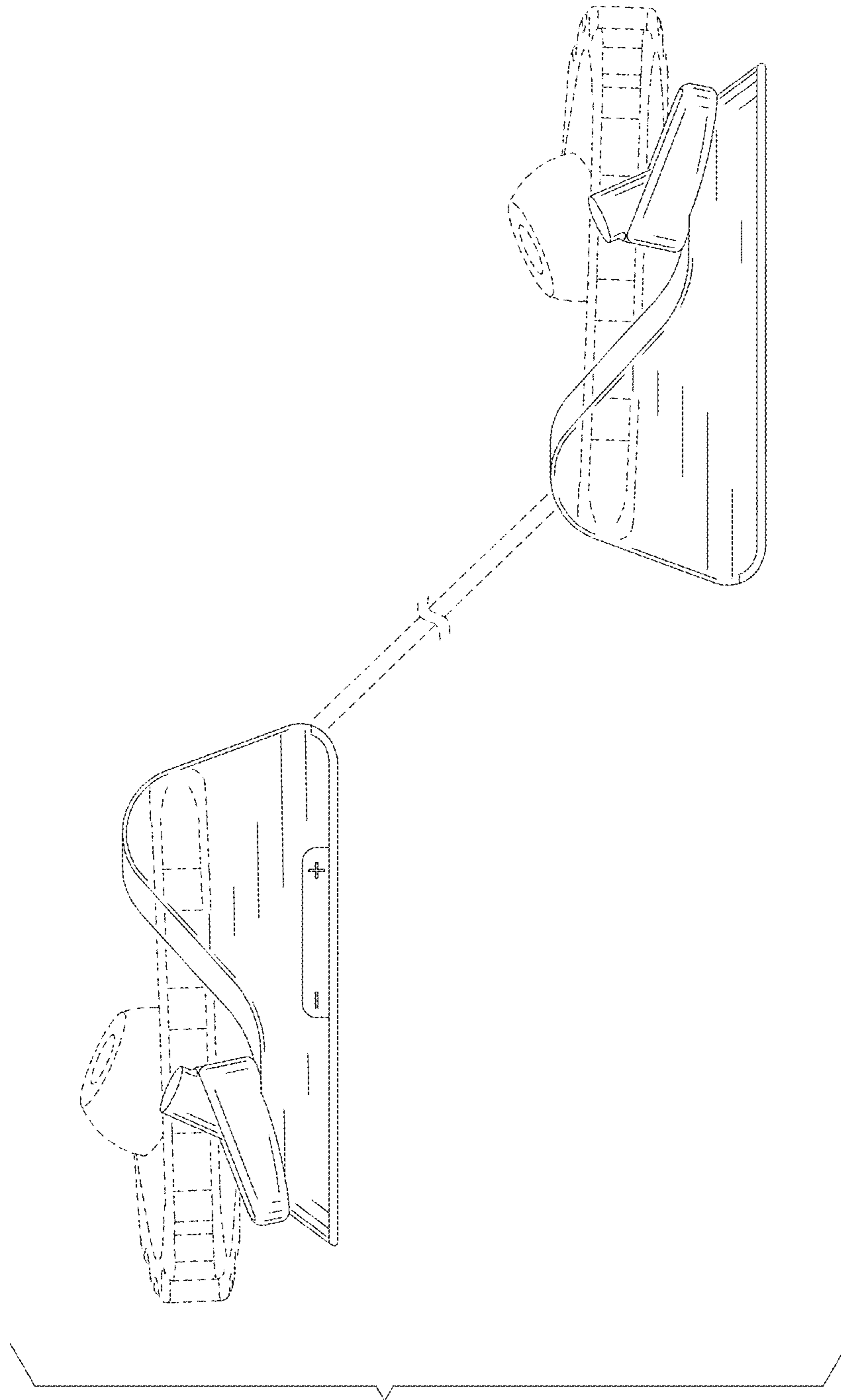


FIG. 7