



US00D806686S

(12) **United States Design Patent**  
**Ott et al.**

(10) **Patent No.:** **US D806,686 S**  
(45) **Date of Patent:** **\*\* Jan. 2, 2018**

(54) **EARPHONE ENHANCER**  
(71) Applicant: **Harman International Industries, Incorporated, Northridge, CA (US)**  
(72) Inventors: **Ryan Ott, St. Louis, MO (US); Eric Sia, St. Louis, MO (US)**  
(73) Assignee: **Harman International Industries, Incorporated, Northridge, CA (US)**

(\*\*) Term: **15 Years**

(21) Appl. No.: **29/576,185**

(22) Filed: **Aug. 31, 2016**

(51) **LOC (11) Cl.** ..... **14-01**

(52) **U.S. Cl.**  
USPC ..... **D14/223**

(58) **Field of Classification Search**  
USPC ..... D14/223, 205; D24/174; 128/864, 865, 128/866; 181/129, 130, 135; 379/430, 379/431; 381/380, 381, 322, 312, 328, 381/329, 323; 455/90.3, 575.1, 569.1  
CPC ..... H04R 1/1016; H04R 25/00; H04R 1/10; H04R 1/1091  
See application file for complete search history.

(56) **References Cited**

**U.S. PATENT DOCUMENTS**

2,064,426 A \* 12/1936 Greibach ..... H04R 11/06  
181/132  
2,719,523 A \* 10/1955 Von Gierke ..... A61F 11/10  
128/864  
4,550,227 A \* 10/1985 Topholm ..... H04R 25/60  
381/322  
D287,280 S \* 12/1986 Topholm ..... D24/174  
D287,764 S \* 1/1987 Topholm ..... D24/174  
D287,765 S \* 1/1987 Topholm ..... D24/174  
D505,132 S \* 5/2005 Linville ..... D14/223

D514,094 S \* 1/2006 Griffin ..... D14/223  
D554,756 S \* 11/2007 Sjursen ..... D24/174  
D618,218 S \* 6/2010 Burgett ..... D14/223  
D622,855 S \* 8/2010 Cano, Jr. .... D24/174  
D674,490 S \* 1/2013 Bailey ..... D24/174  
D674,491 S \* 1/2013 Bailey ..... D24/174  
8,406,448 B2 \* 3/2013 Lin ..... H04R 1/1091  
381/332  
D755,158 S \* 5/2016 Lee ..... D14/205  
D761,233 S \* 7/2016 Kawaji ..... D14/223  
D768,860 S \* 10/2016 Lu ..... D14/223  
D770,426 S \* 11/2016 Laberge ..... D14/205

(Continued)

*Primary Examiner* — Paula Allen Greene

(74) *Attorney, Agent, or Firm* — Plumsea Law Group, LLC

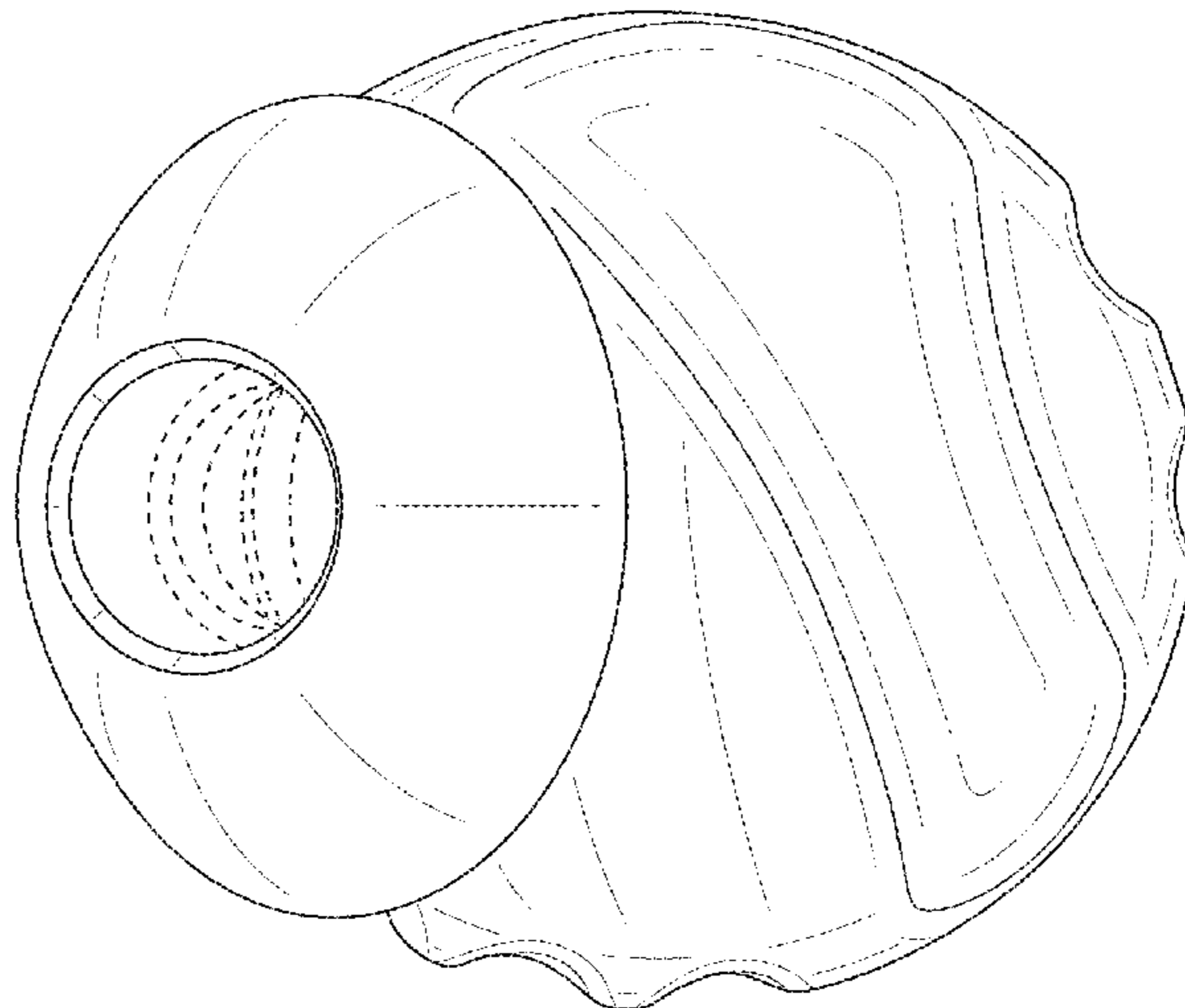
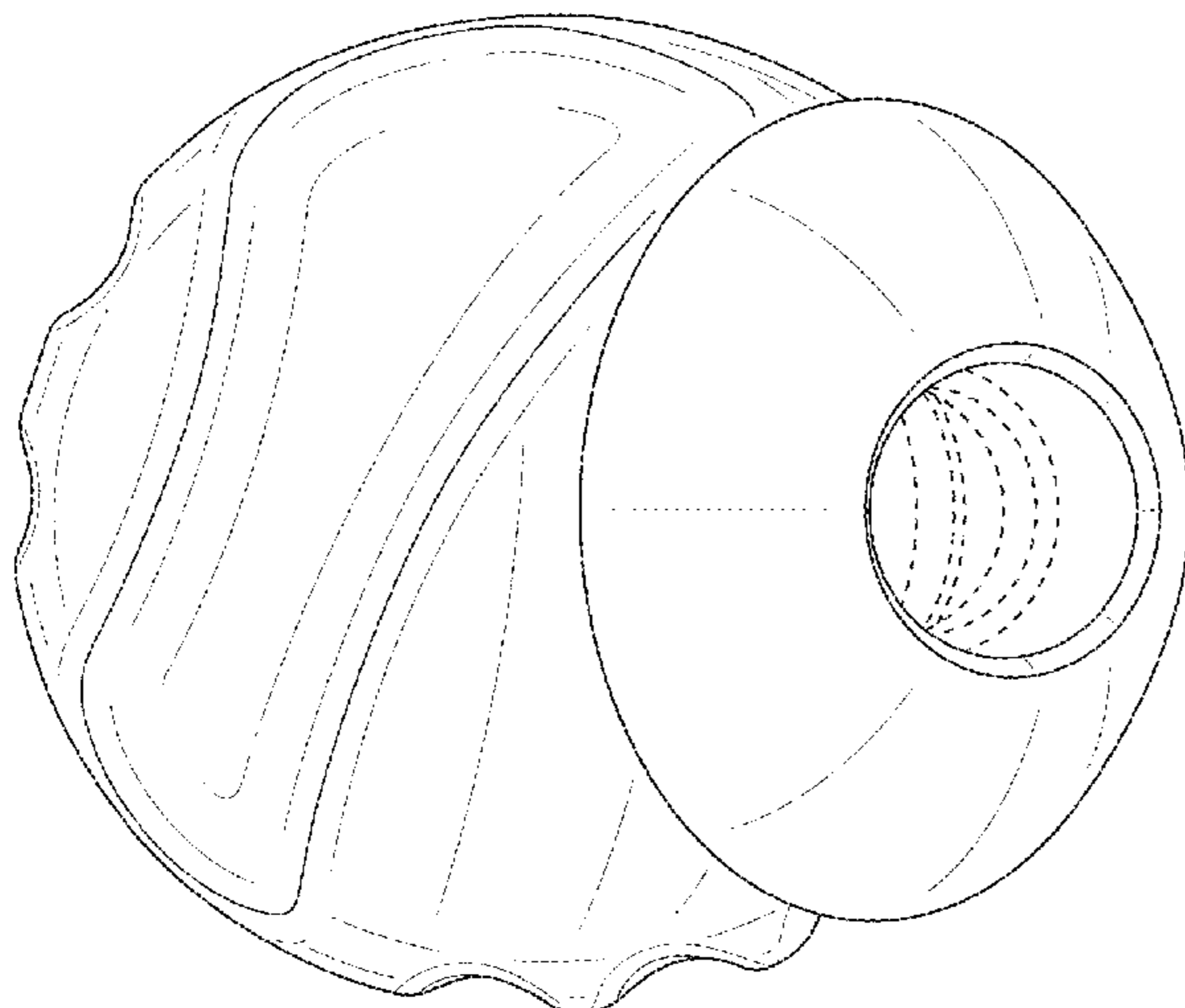
(57) **CLAIM**

The ornamental design for an earphone enhancer, as shown and described.

**DESCRIPTION**

FIG. 1 is a front view of an earphone enhancer showing our new design, a left-handed version being illustrated in FIGS. 1-6;  
FIG. 2 is a rear view thereof;  
FIG. 3 is a side elevation view of one side thereof;  
FIG. 4 is a side elevation view of the opposite side thereof;  
FIG. 5 is a top view thereof;  
FIG. 6 is a bottom view thereof;  
FIG. 7 is a front view of a right-handed version of the earphone enhancer showing our new design;  
FIG. 8 is a rear view thereof;  
FIG. 9 is a side elevation view of one side thereof;  
FIG. 10 is a side elevation view of the opposite side thereof;  
FIG. 11 is a top view thereof; and,  
FIG. 12 is a bottom view thereof.  
The broken lines depict environment that forms no part of the claimed design.

**1 Claim, 12 Drawing Sheets**



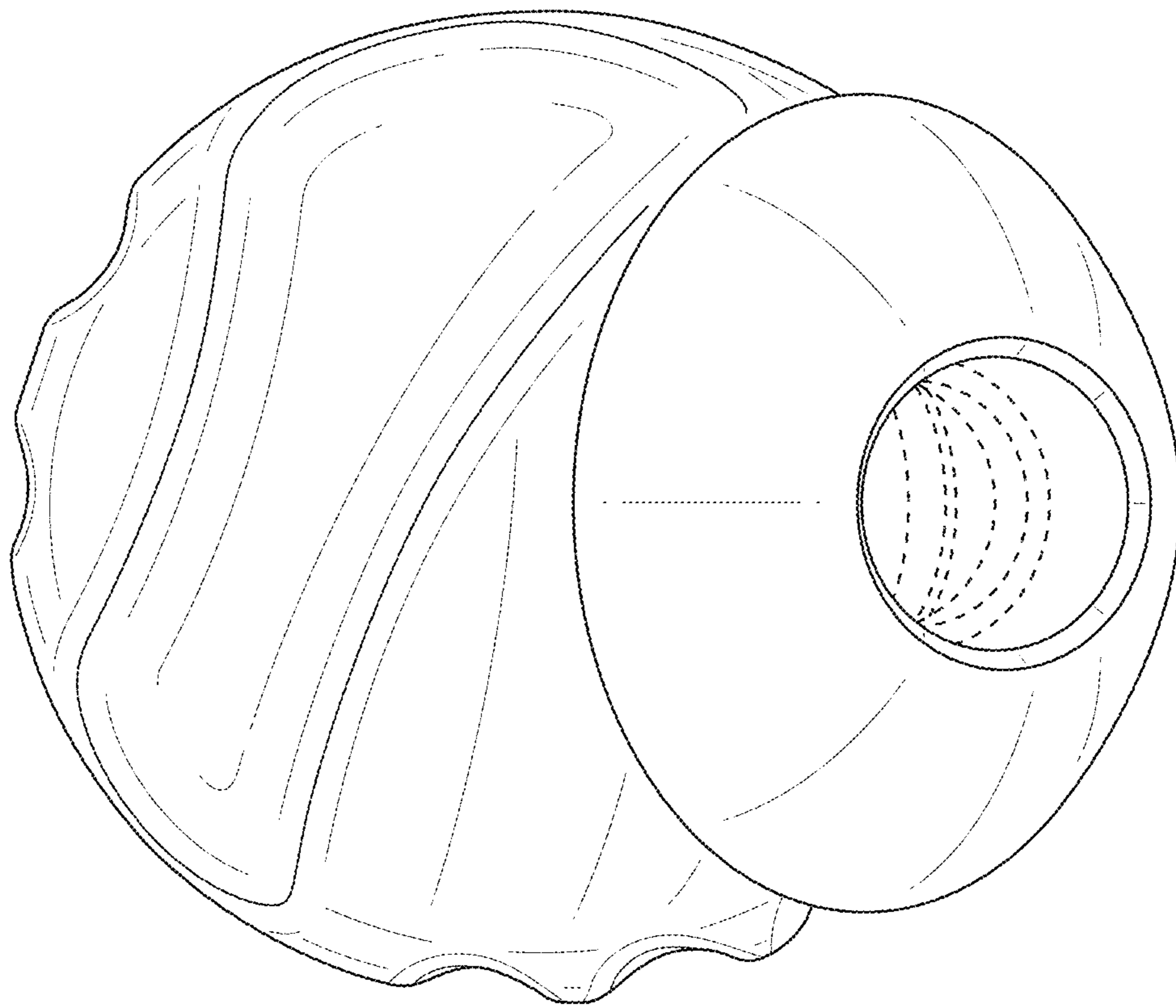
(56)

**References Cited**

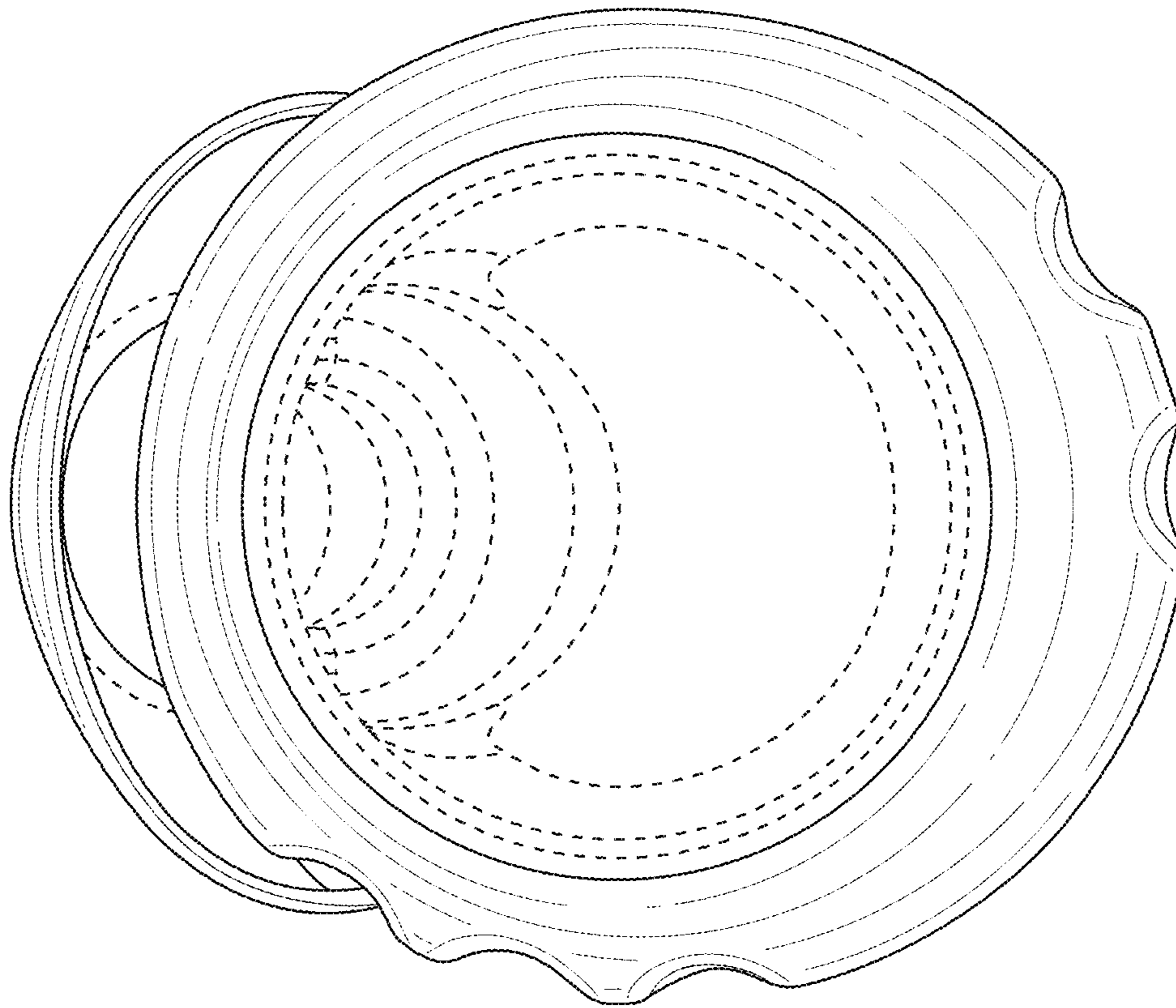
U.S. PATENT DOCUMENTS

D773,439 S \* 12/2016 Walker ..... D14/205  
D777,710 S \* 1/2017 Palmborg ..... D14/223

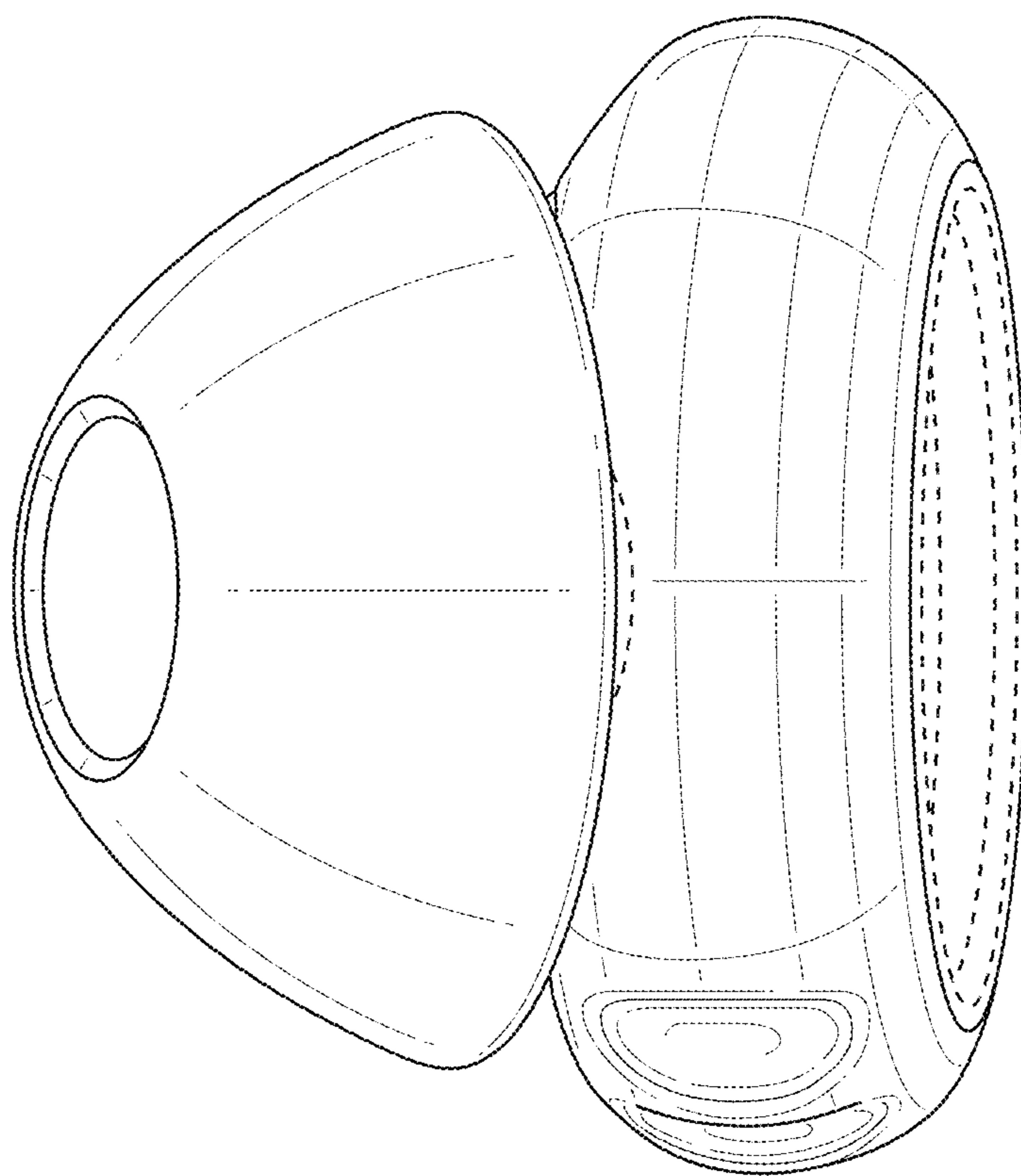
\* cited by examiner



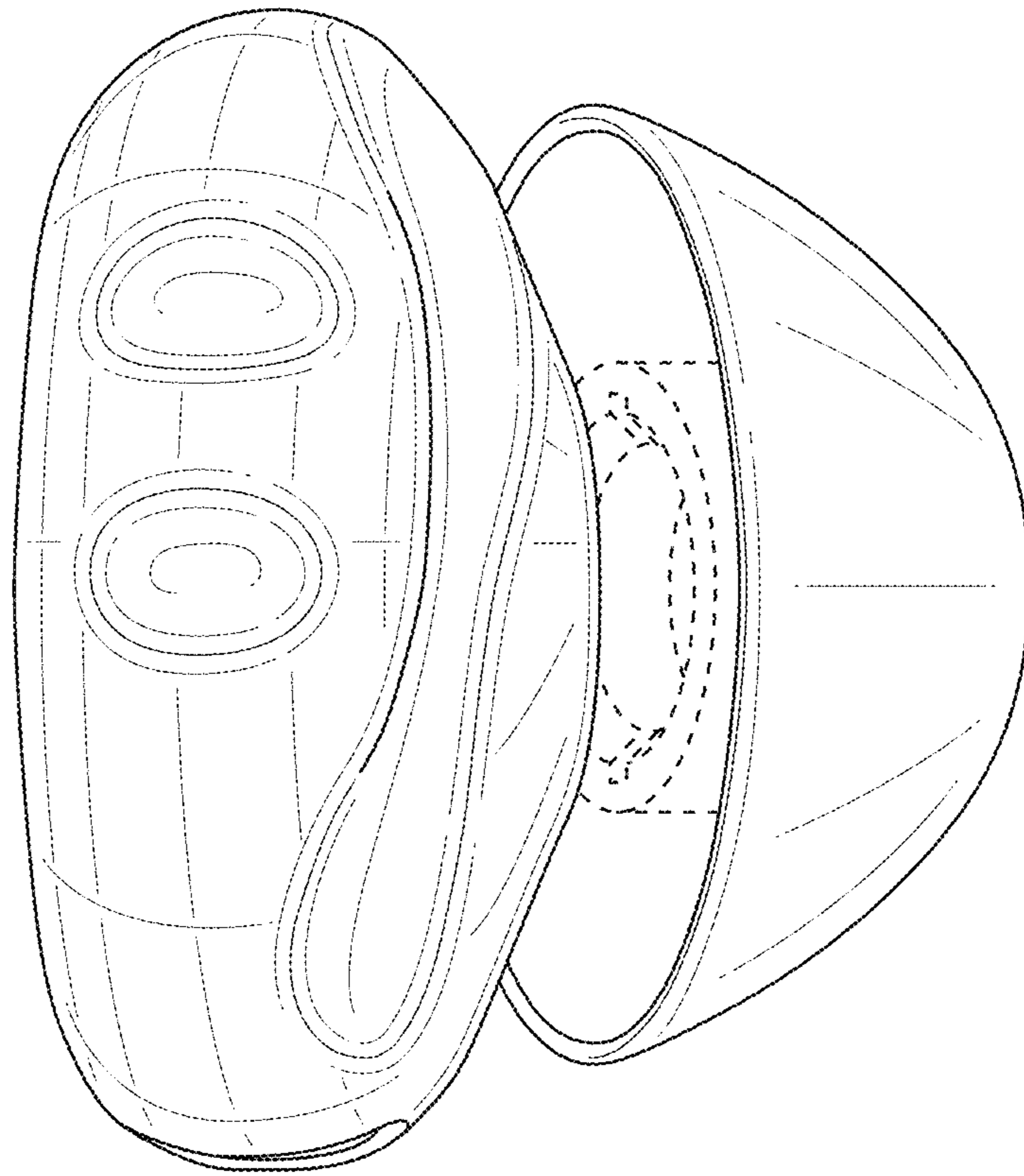
**FIG. 1**



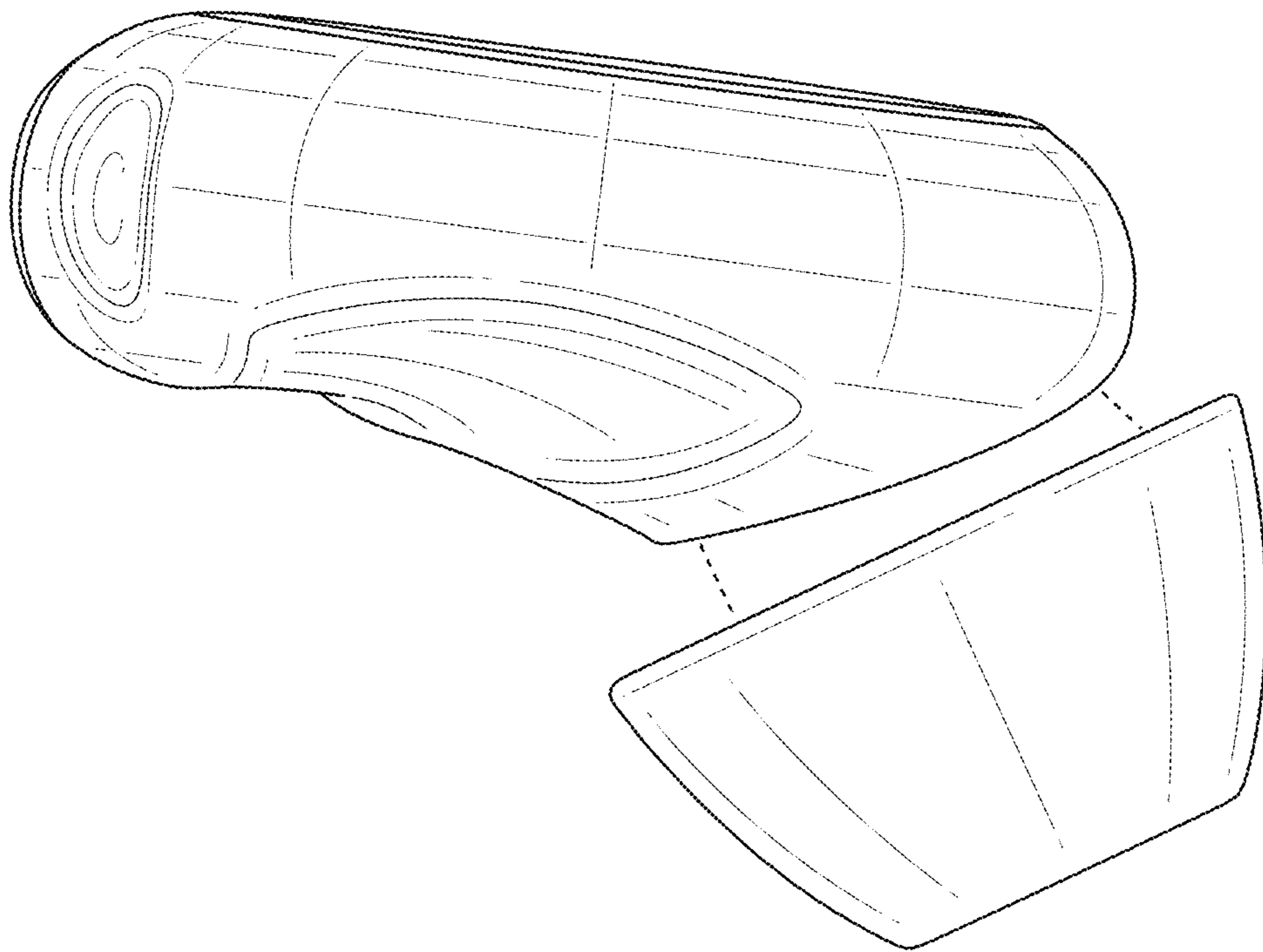
**FIG. 2**



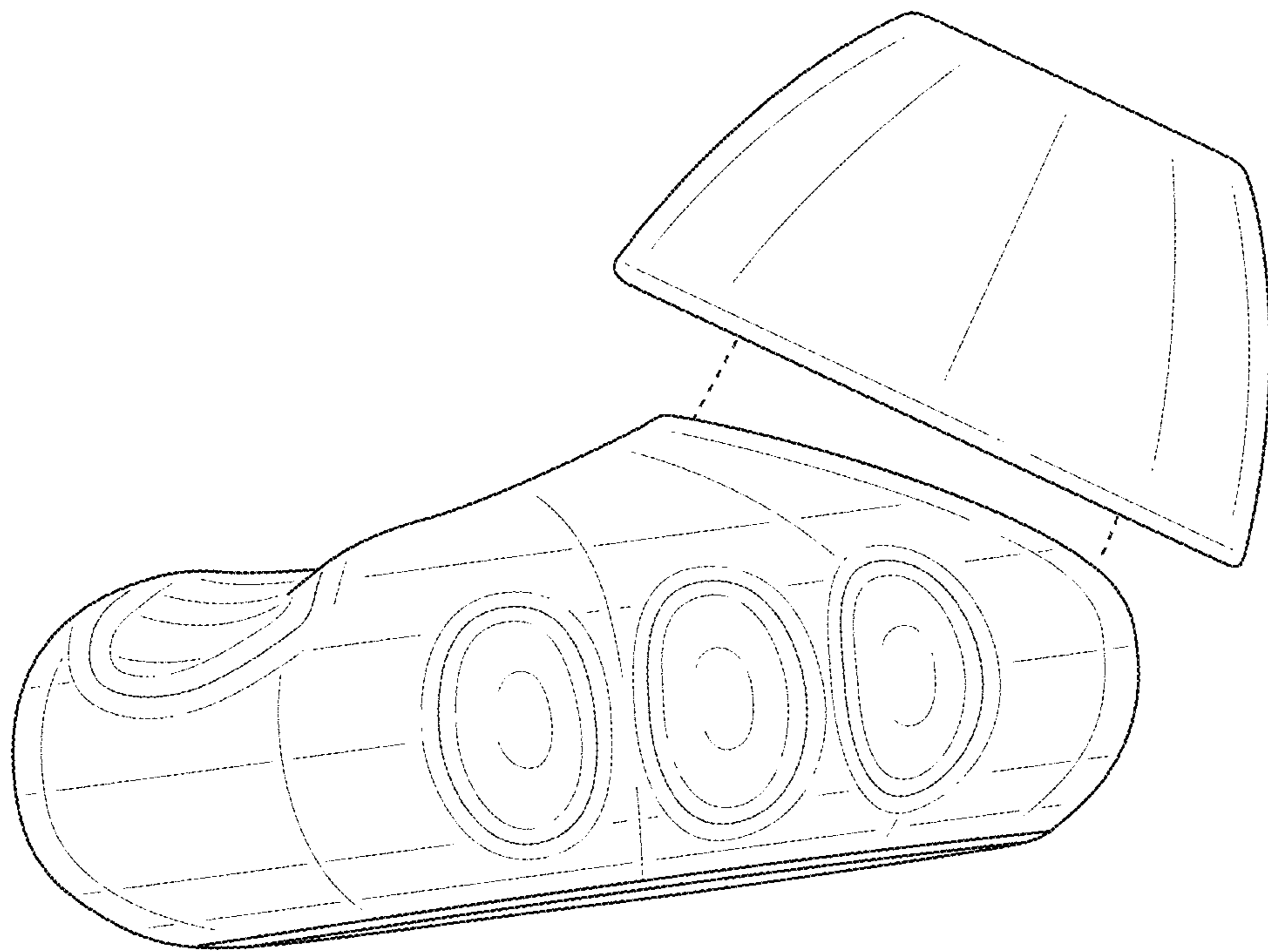
**FIG. 3**



**FIG. 4**

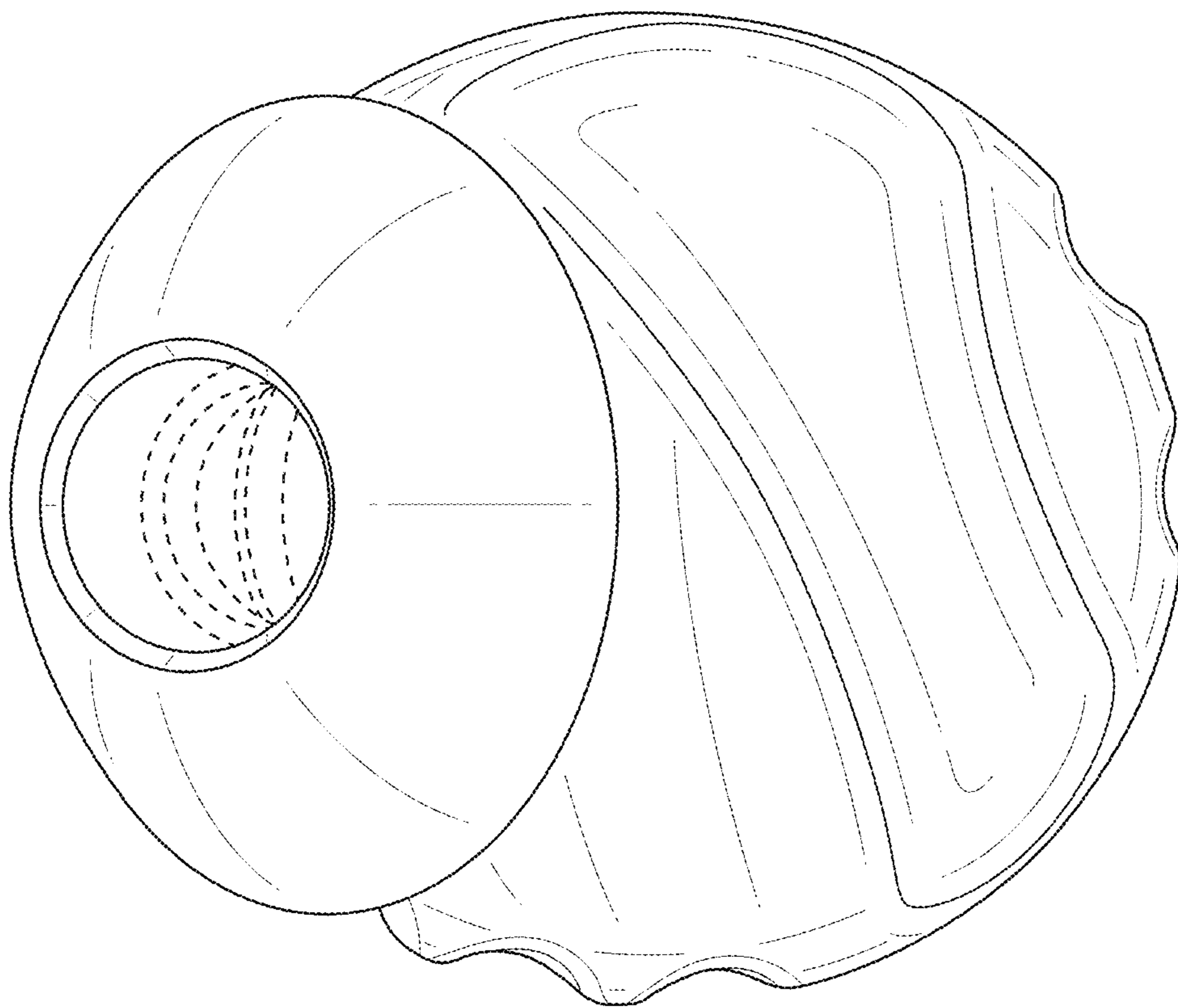


**FIG. 5**

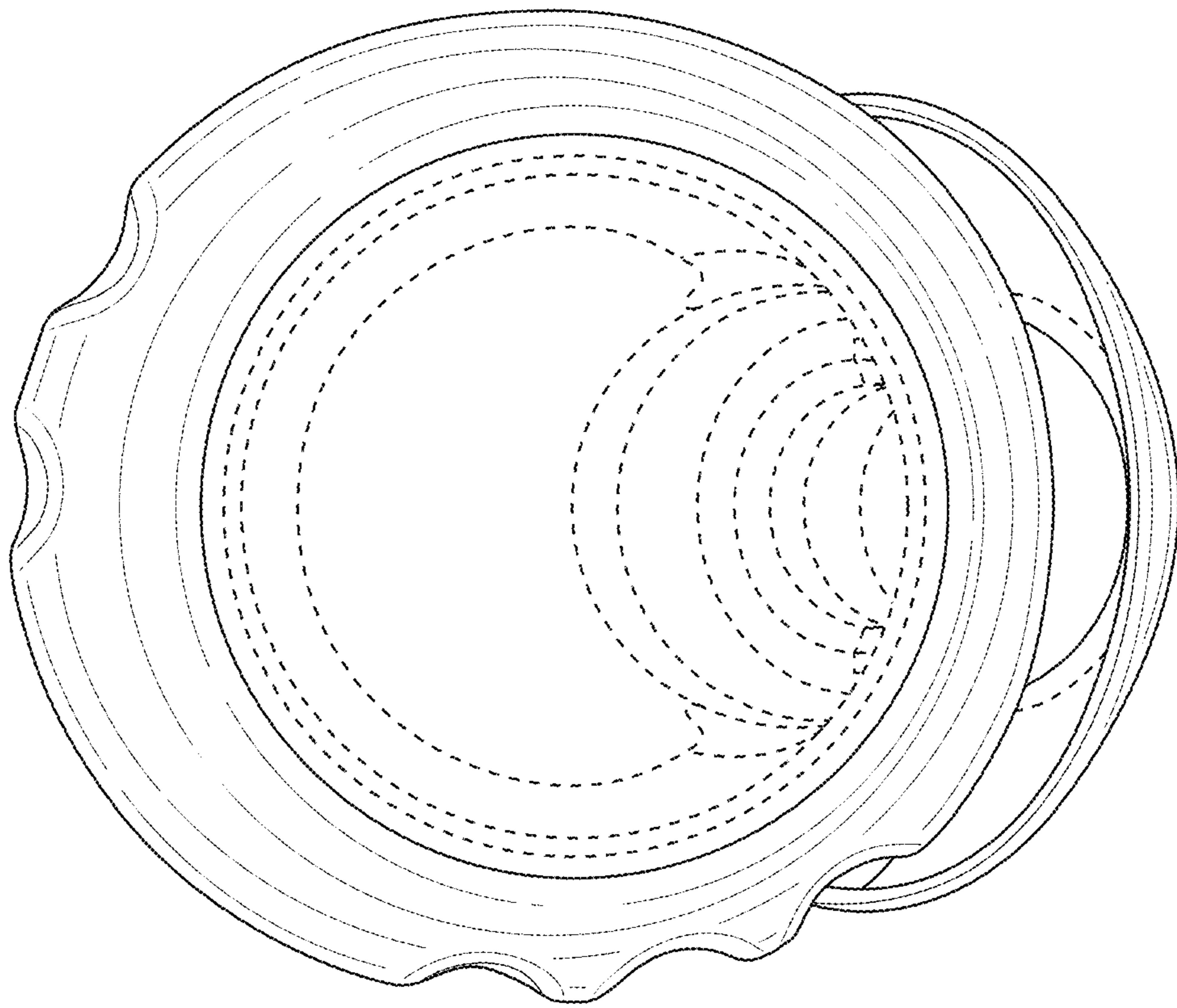


**FIG. 6**

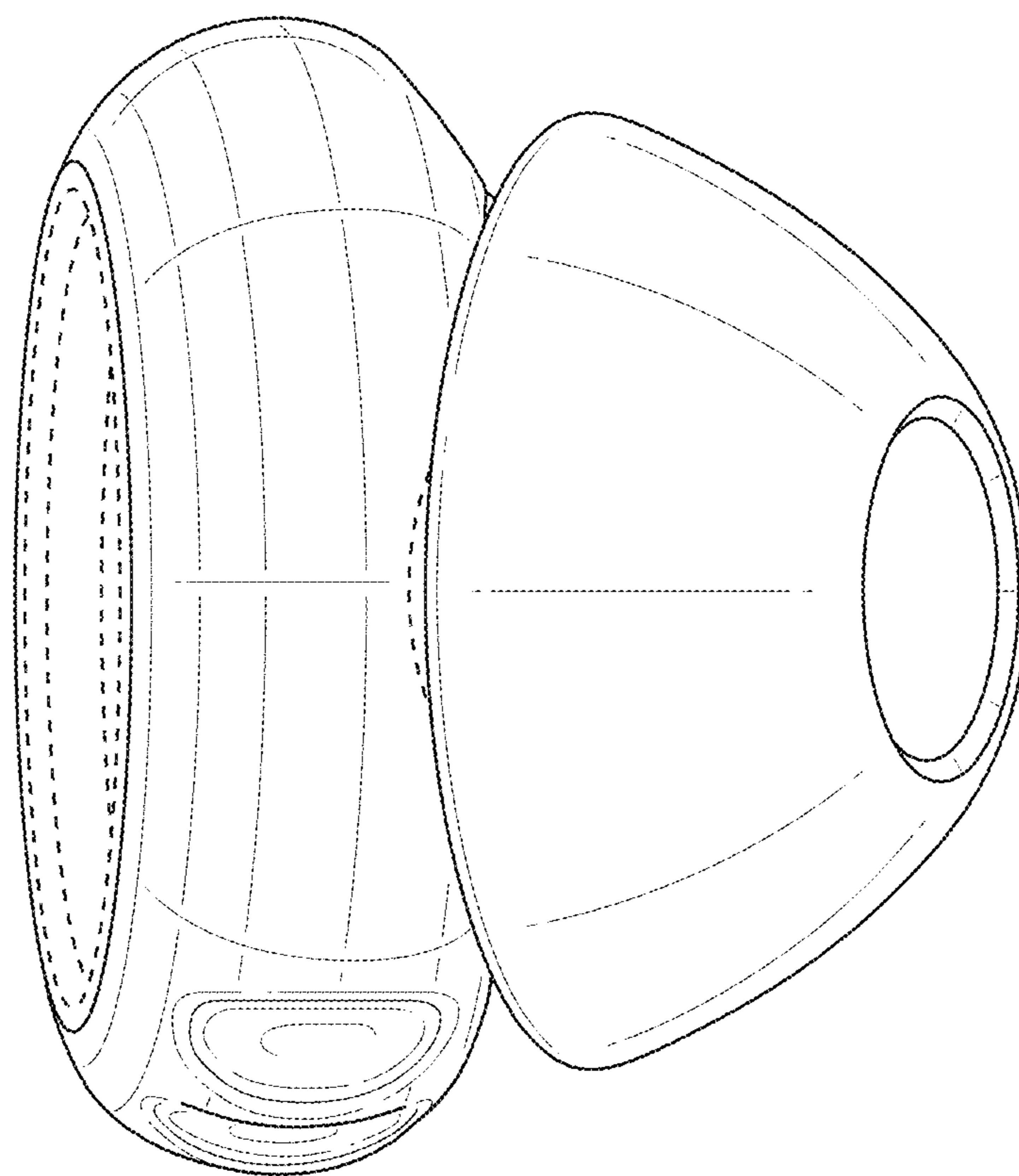




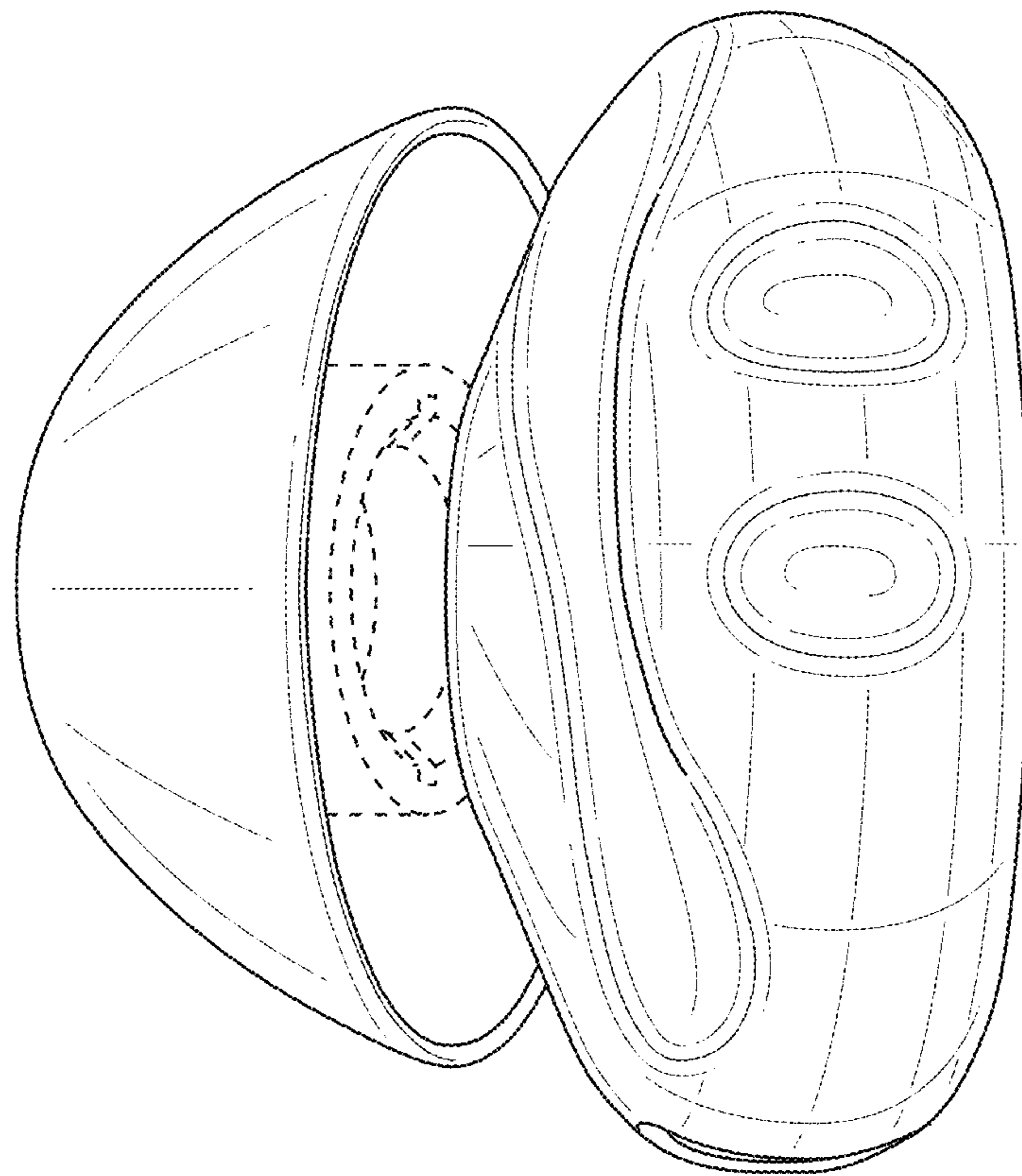
**FIG. 7**



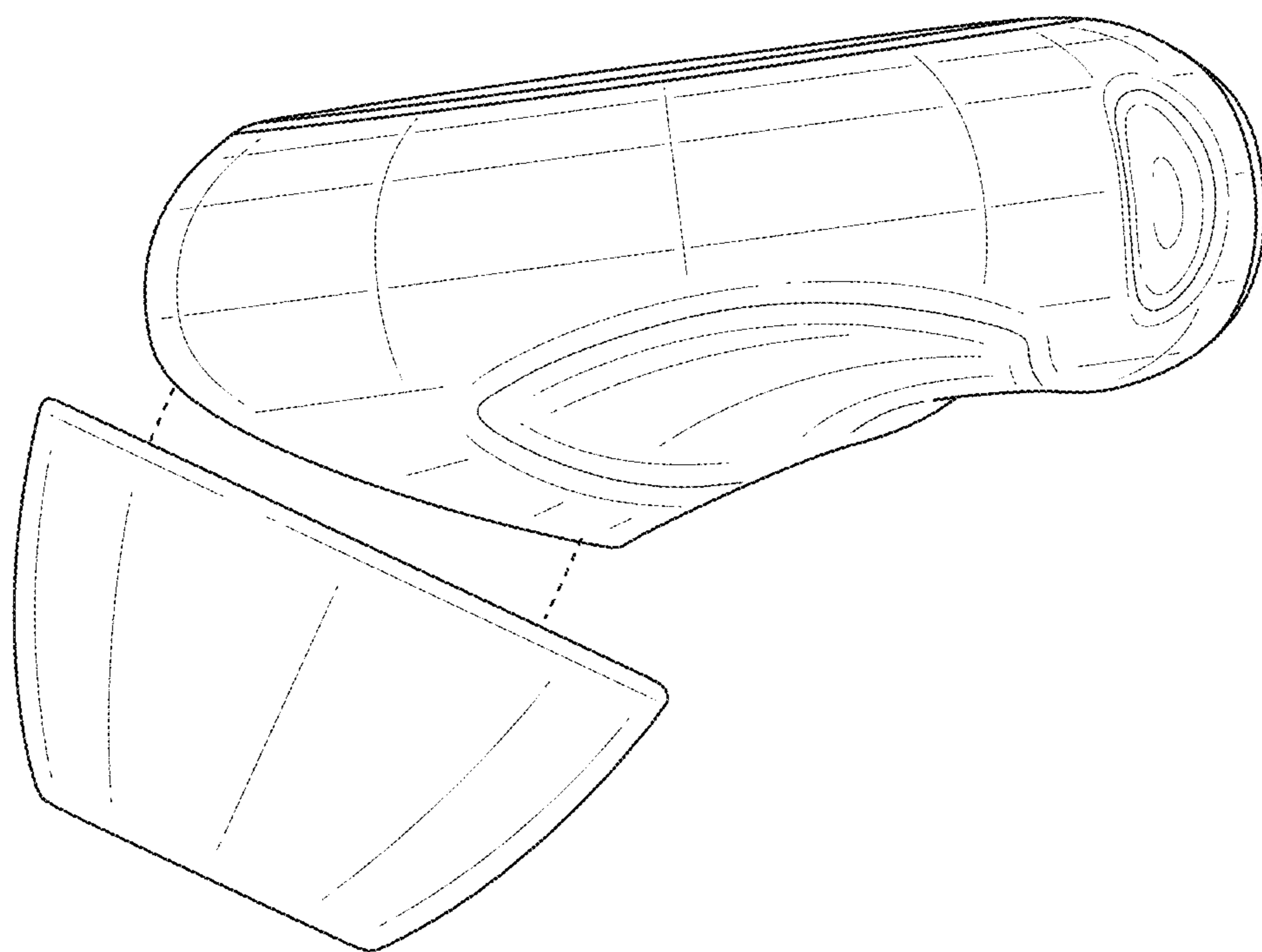
**FIG. 8**



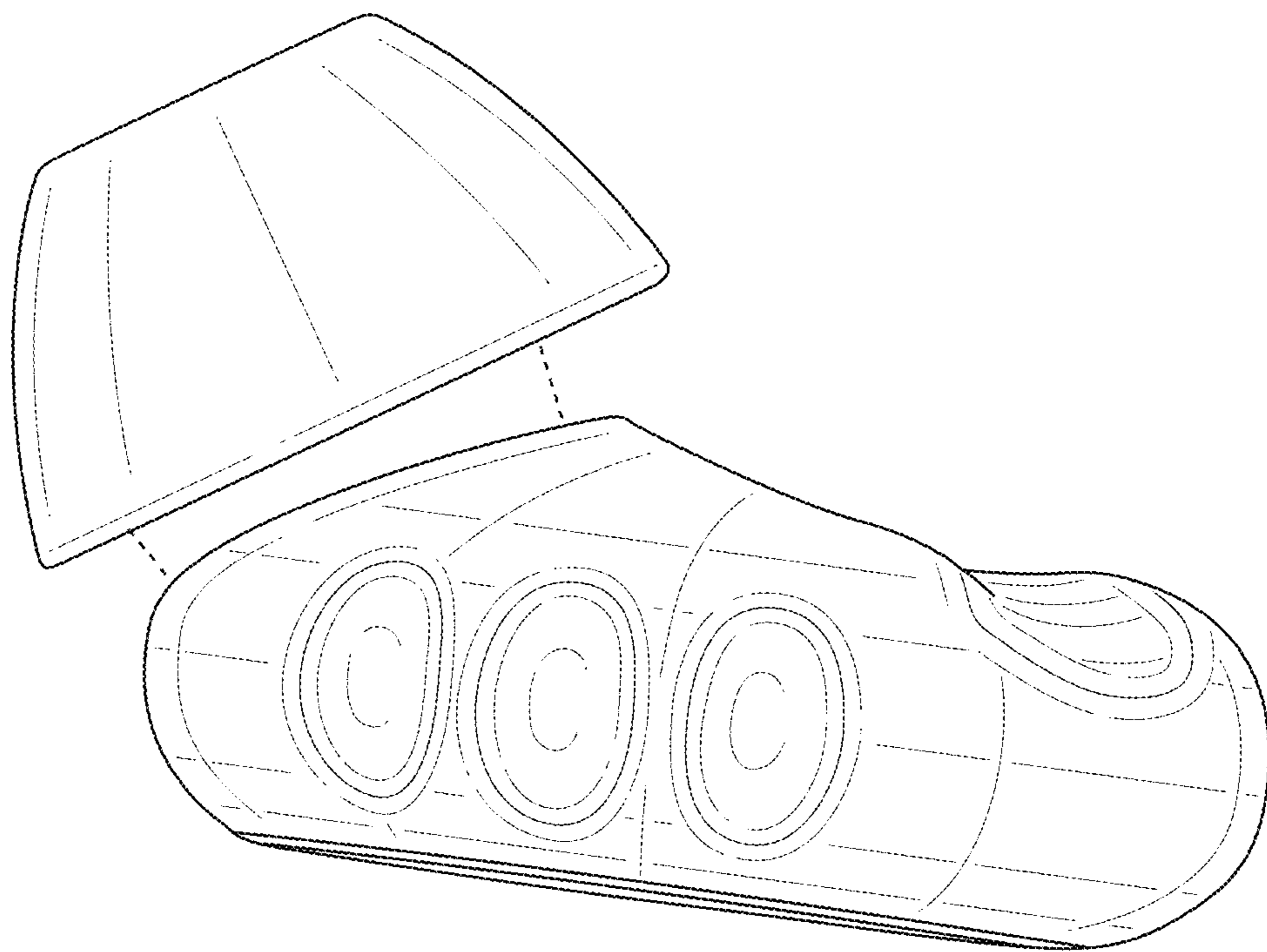
**FIG. 9**



**FIG. 10**



**FIG. 11**



**FIG. 12**