



US00D806685S

(12) **United States Design Patent**
Park

(10) **Patent No.:** **US D806,685 S**
(45) **Date of Patent:** **** Jan. 2, 2018**

(54) **HEADPHONE**

(71) Applicant: **Harman International Industries, Incorporated**, Northridge, CA (US)

(72) Inventor: **Sunghoon Park**, Shenzhen (CN)

(73) Assignee: **Harman International Industries, Incorporated**, Northridge, CA (US)

(**) Term: **15 Years**

(21) Appl. No.: **29/576,075**

(22) Filed: **Aug. 31, 2016**

(51) **LOC (11) Cl.** **14-01**

(52) **U.S. Cl.**
USPC **D14/223**

(58) **Field of Classification Search**
USPC D14/223, 205, 206; 181/129, 130, 135;
379/430, 431; 381/380, 381, 370, 322,
381/325, 326, 328; 455/90.3, 575.1,
455/569.1; D24/174
CPC H04R 1/10; H04R 25/00; H04R 1/1041;
H04R 1/1058; H04R 1/1091; H04R
5/033; H04R 5/0335; H04R 1/1016;
H04R 1/1066

See application file for complete search history.

(56) **References Cited**

U.S. PATENT DOCUMENTS

2,145,449	A	*	1/1939	Lockhart	H04R 17/02
						181/126
D230,280	S	*	2/1974	Nygaard	D24/174
D241,881	S	*	10/1976	Peterson	D24/106
D259,279	S	*	5/1981	Takeda	D24/106
D318,670	S	*	7/1991	Taniguchi	D14/205
D326,655	S	*	6/1992	Iribe	D14/192
D334,043	S	*	3/1993	Taniguchi	D14/218
D431,553	S	*	10/2000	Suzuki	D14/223
D435,036	S	*	12/2000	Koss	D14/223

D460,432	S	*	7/2002	Brown	D14/192
D464,945	S	*	10/2002	Bosch	D14/206
D466,100	S	*	11/2002	Obata	D14/167
D467,240	S	*	12/2002	Ruohonen	D14/205
D468,301	S	*	1/2003	Fushimi	D14/223
6,574,345	B1	*	6/2003	Huang	H04R 1/1016
						379/430
D487,077	S	*	2/2004	Obata	D14/223

(Continued)

Primary Examiner — Paula Allen Greene

(74) *Attorney, Agent, or Firm* — Plumsea Law Group, LLC

(57) **CLAIM**

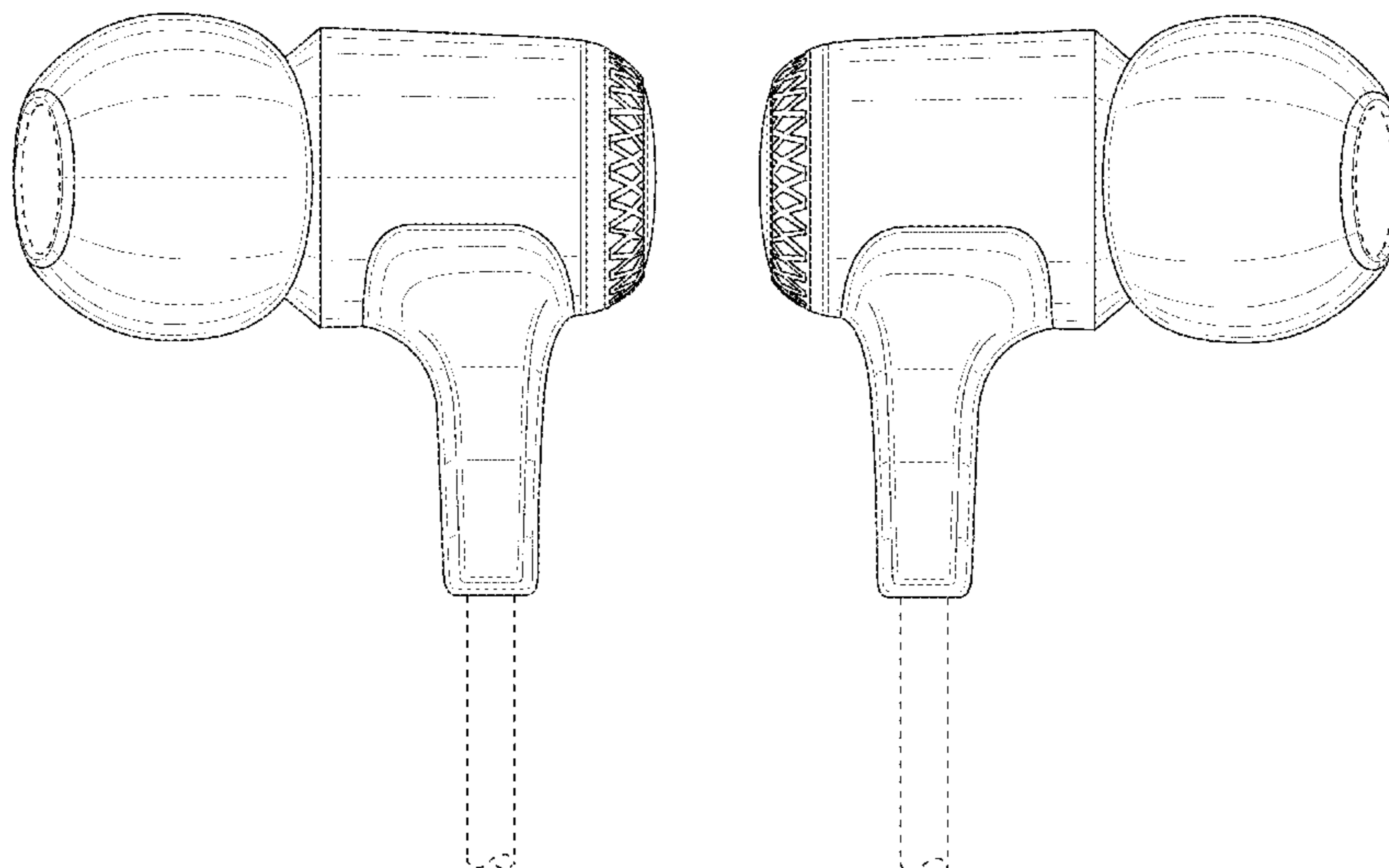
The ornamental design for a headphone, as shown and described.

DESCRIPTION

FIG. 1 is a perspective view of a headphone showing the new design;
 FIG. 2 is another perspective view thereof;
 FIG. 3 is a front elevation view thereof;
 FIG. 4 is a rear elevation view thereof;
 FIG. 5 is a side elevation view of one side thereof;
 FIG. 6 is a side elevation view of the opposite side thereof;
 FIG. 7 is a top plan view thereof;
 FIG. 8 is a bottom plan view thereof;
 FIG. 9 is a perspective view of an opposite-handed embodiment of the headphone showing the new design;
 FIG. 10 is another perspective view thereof;
 FIG. 11 is a front elevation view thereof;
 FIG. 12 is a rear elevation view thereof;
 FIG. 13 is a side elevation view of one side thereof;
 FIG. 14 is a side elevation view of the opposite side thereof;
 FIG. 15 is a top plan view thereof; and,
 FIG. 16 is bottom plan view thereof.

The broken lines and unshaded areas form no part of the claimed design.

1 Claim, 16 Drawing Sheets



(56)

References Cited

U.S. PATENT DOCUMENTS

D554,627	S	*	11/2007	Gondo	D14/223
D555,152	S	*	11/2007	Wang	D14/223
D567,217	S	*	4/2008	Kamo	D14/205
D621,388	S	*	8/2010	Koss	D14/223
D627,338	S	*	11/2010	Koss	D14/223
D633,482	S	*	3/2011	Koss	D14/223
D637,585	S	*	5/2011	Nagayama	D14/223
D647,888	S	*	11/2011	Katsuraku	D14/223
D660,290	S	*	5/2012	Weedon	D14/223
D667,818	S	*	9/2012	Sogabe	D14/223
D674,377	S	*	1/2013	Schaefer	D14/223
D676,417	S	*	2/2013	Masuda	D14/205
8,391,536	B2	*	3/2013	Hashimoto	H04R 1/1016 381/370
D680,102	S	*	4/2013	Chen	D14/223
D690,685	S	*	10/2013	Iacovelli	D14/223
D718,286	S	*	11/2014	Yang	D14/223
D719,548	S	*	12/2014	Thompson	D14/223
D733,101	S	*	6/2015	Pi	D14/223
D784,298	S	*	4/2017	Ozawa	D14/223
D784,962	S	*	4/2017	Yang	D14/223
D786,221	S	*	5/2017	Stoch	D14/223
2011/0317864	A1	*	12/2011	Kaneko	H04R 1/1066 381/380
2015/0237436	A1	*	8/2015	Wang	H04R 1/1041 381/380

* cited by examiner

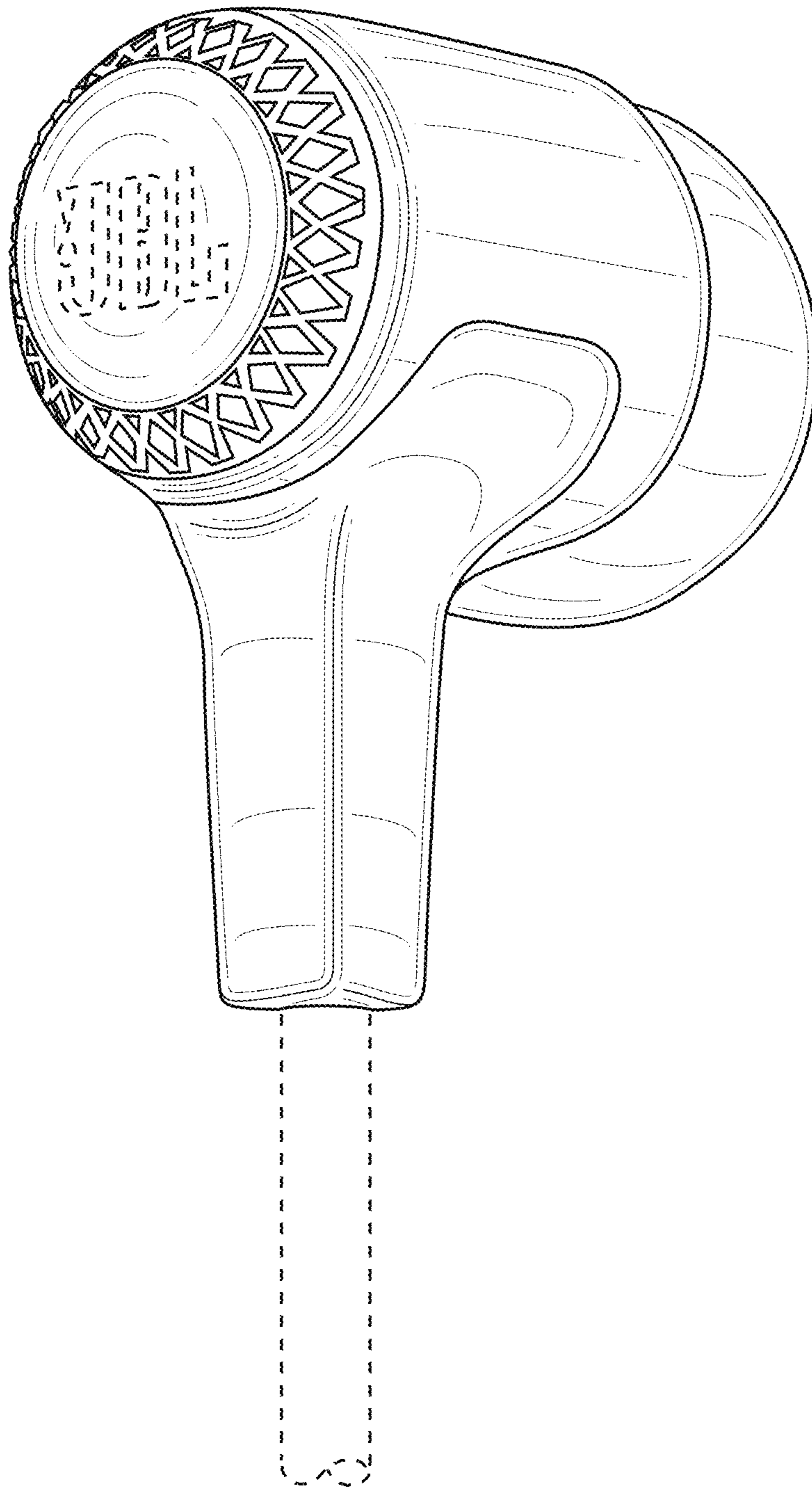


FIG. 1

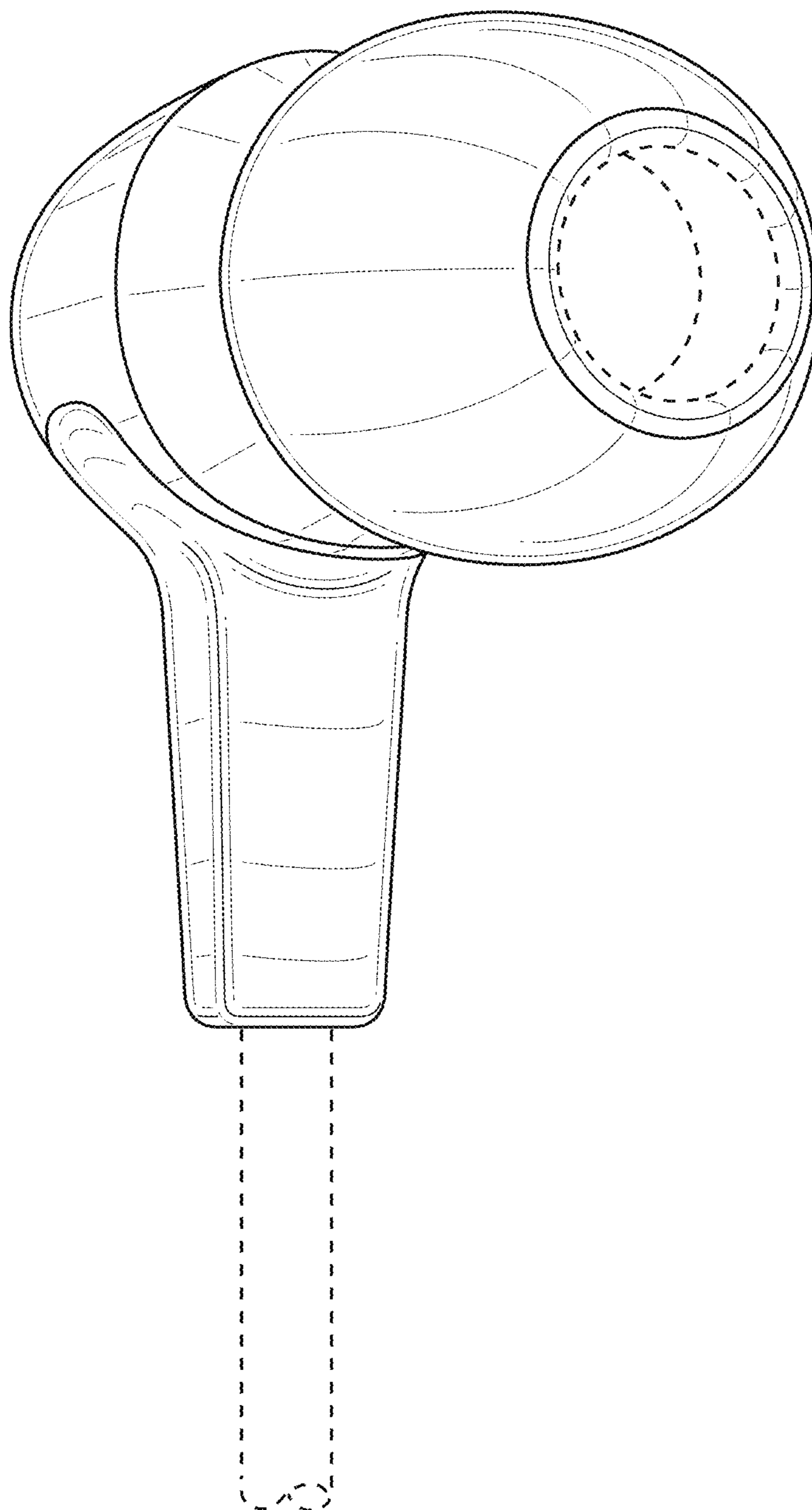


FIG. 2

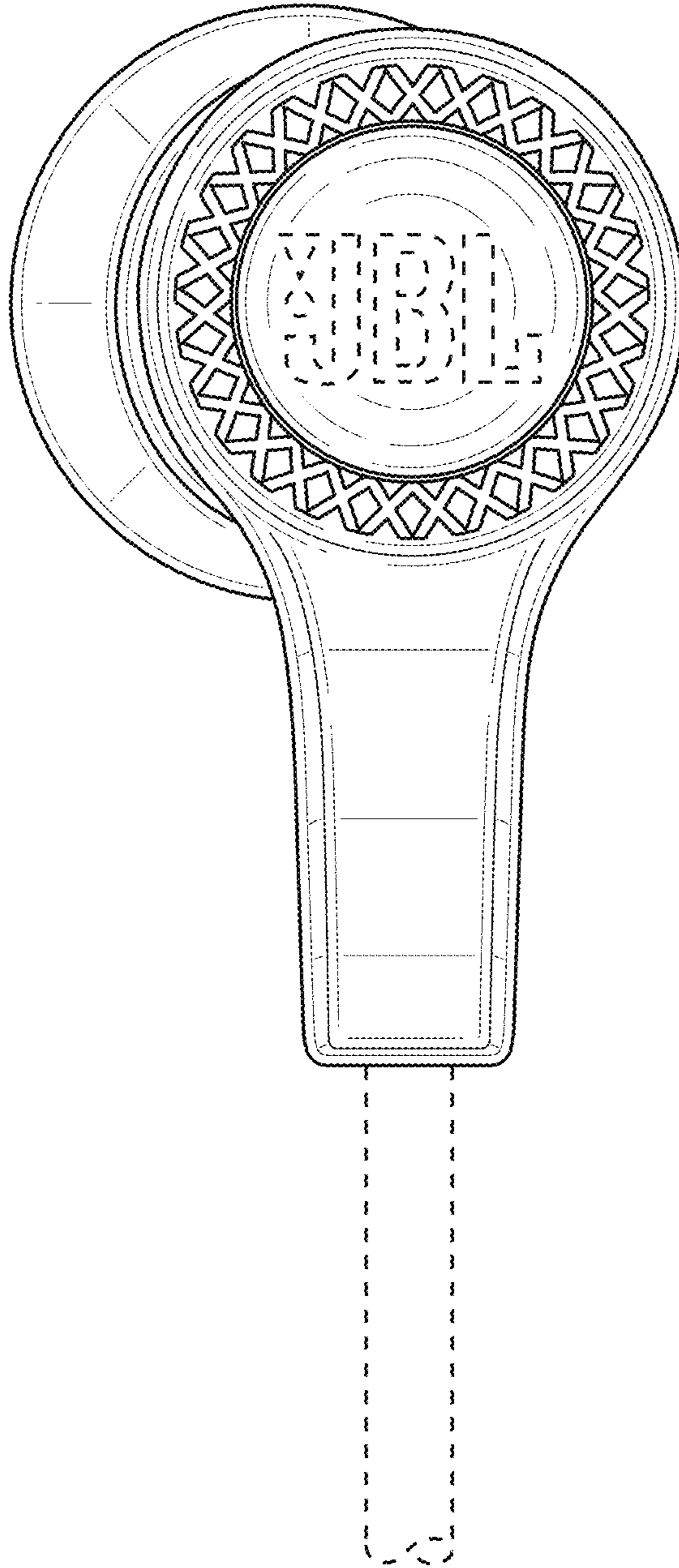


FIG. 3

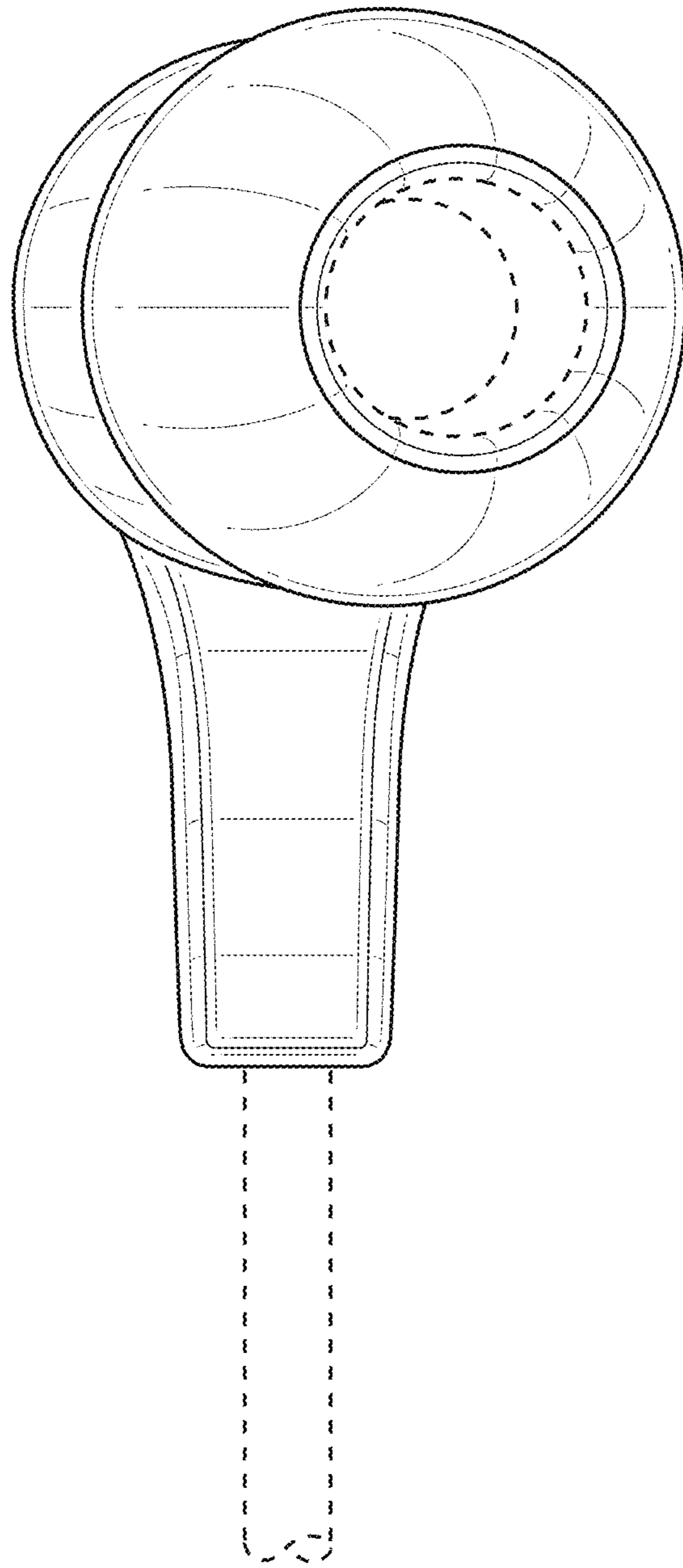


FIG. 4

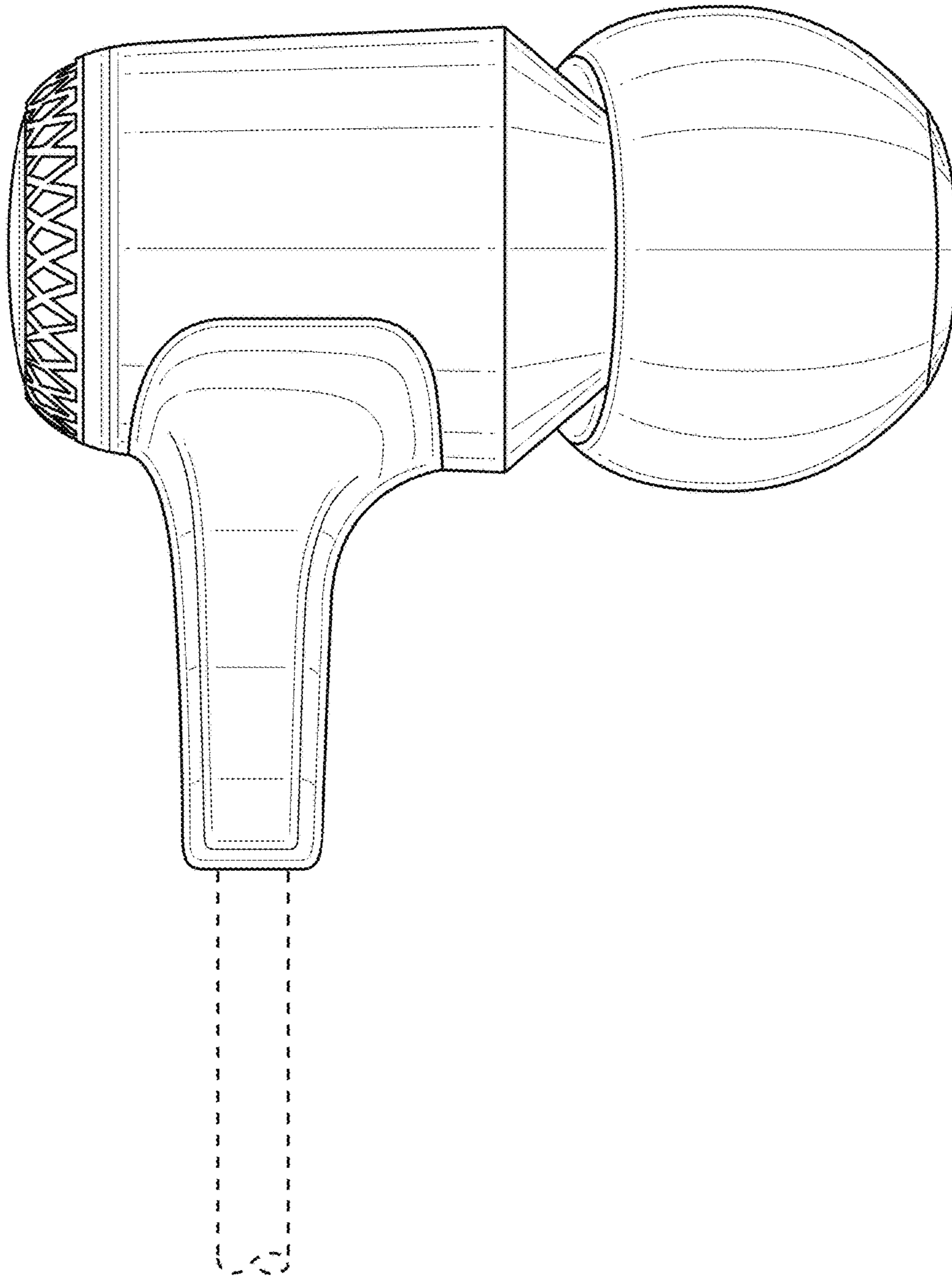


FIG. 5

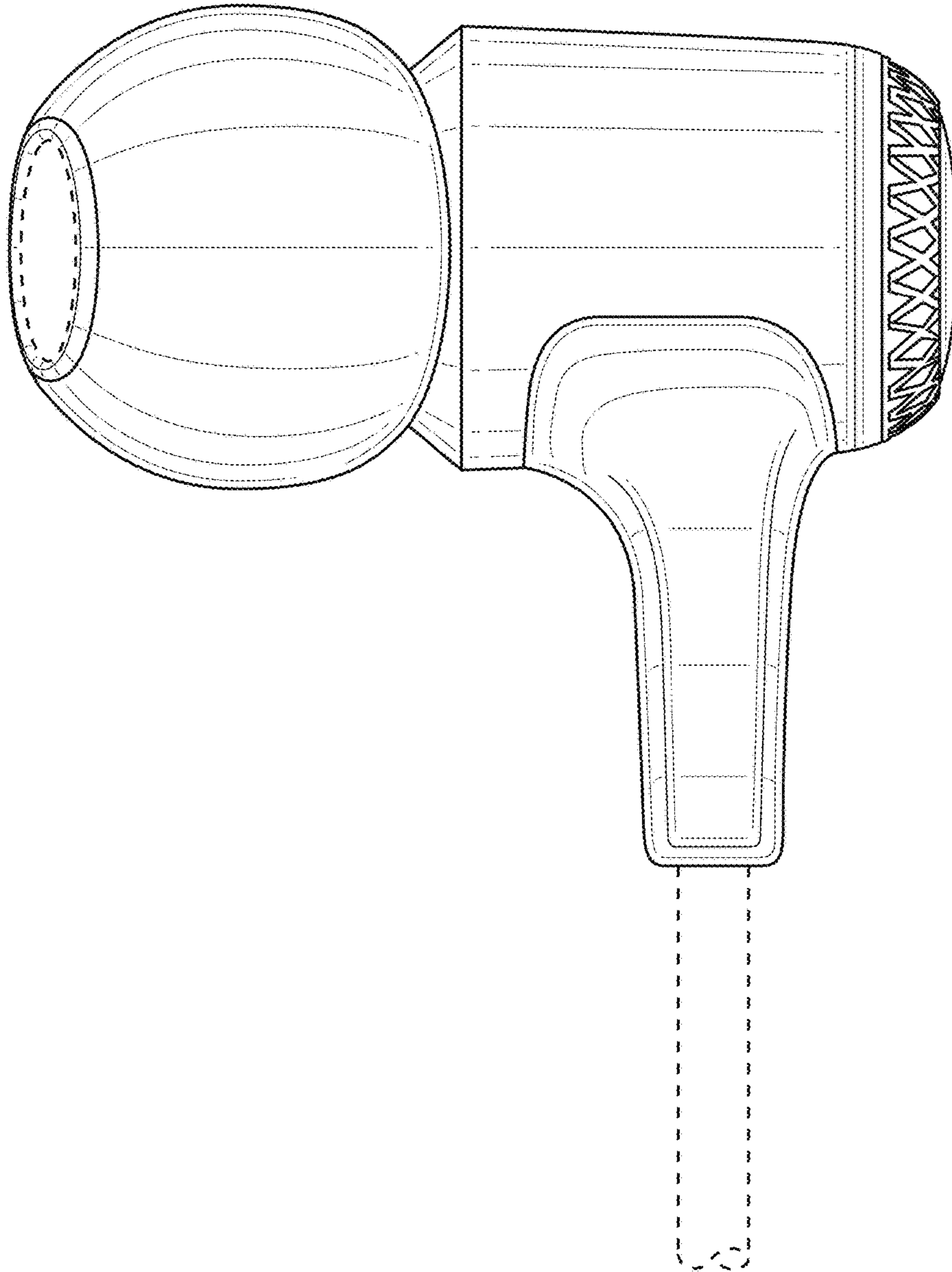


FIG. 6

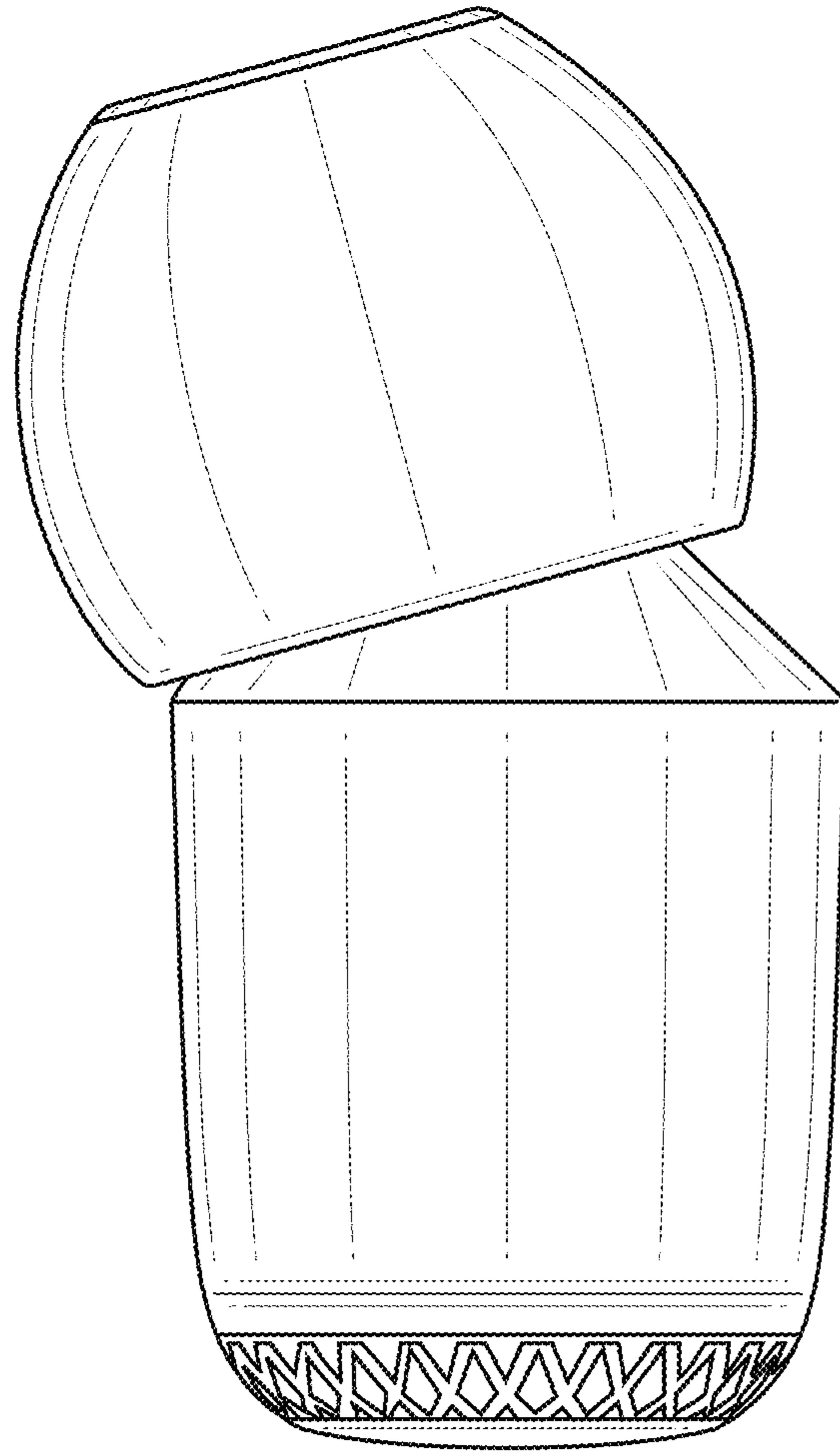


FIG. 7

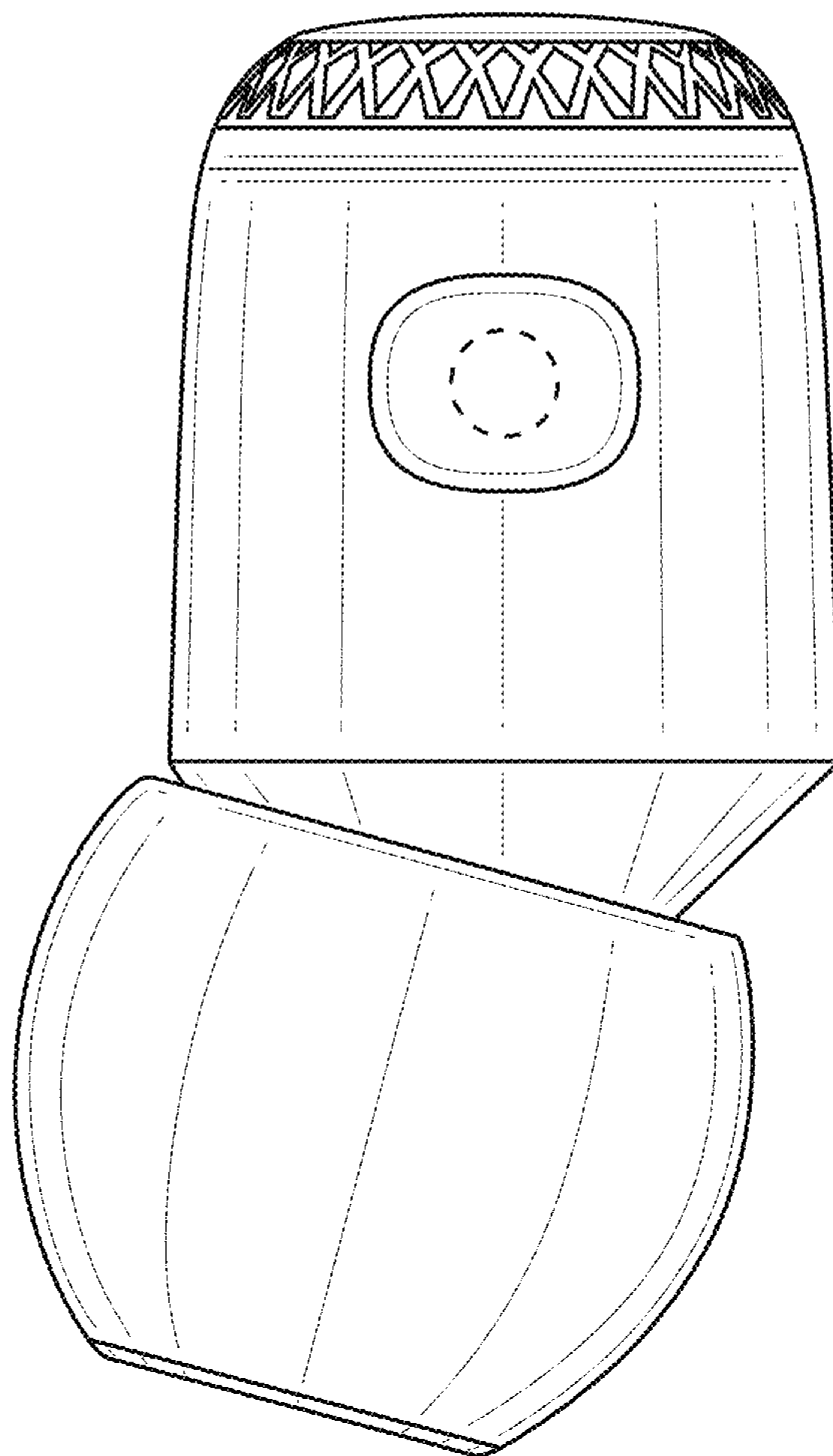


FIG. 8

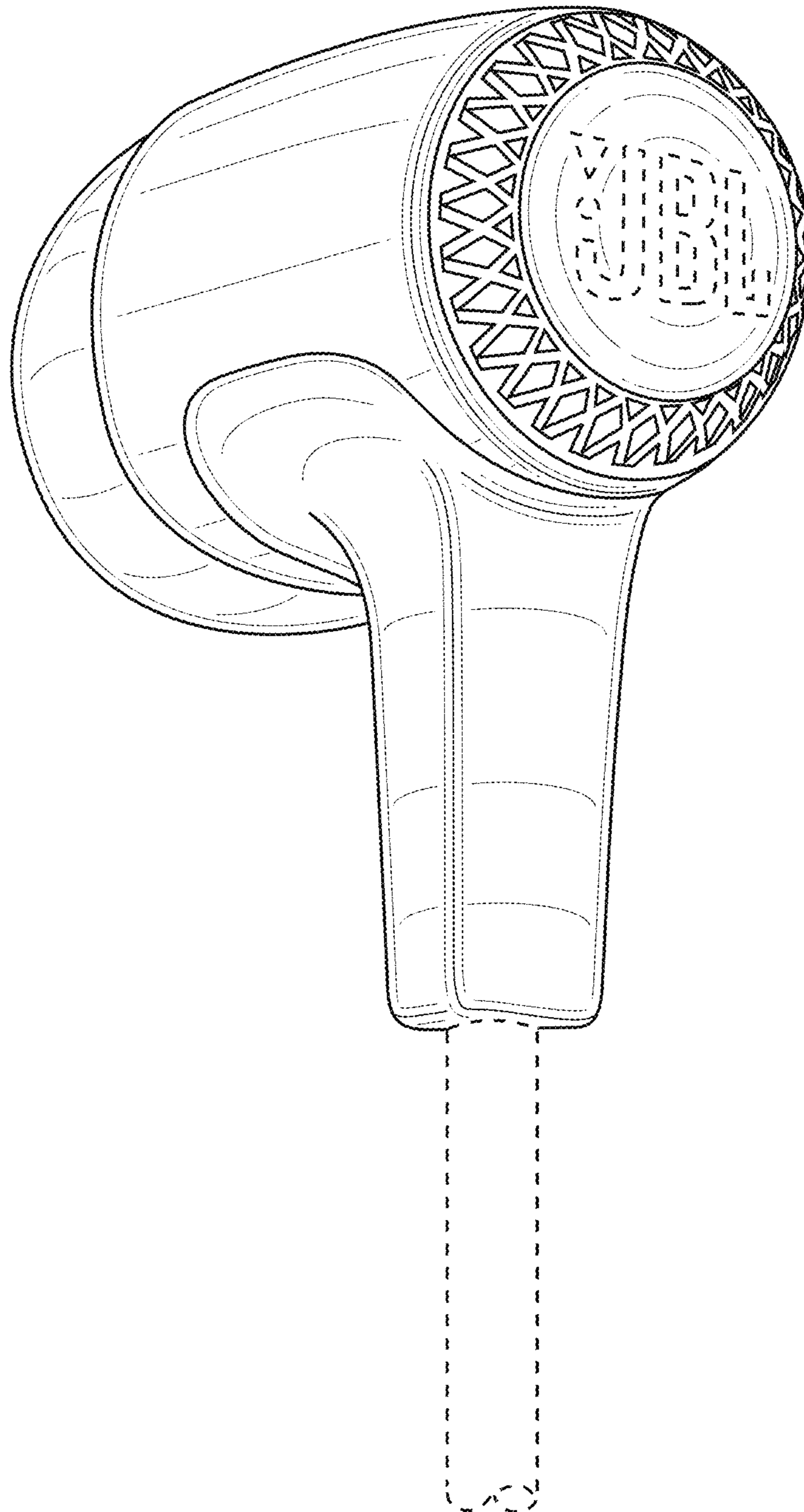


FIG. 9

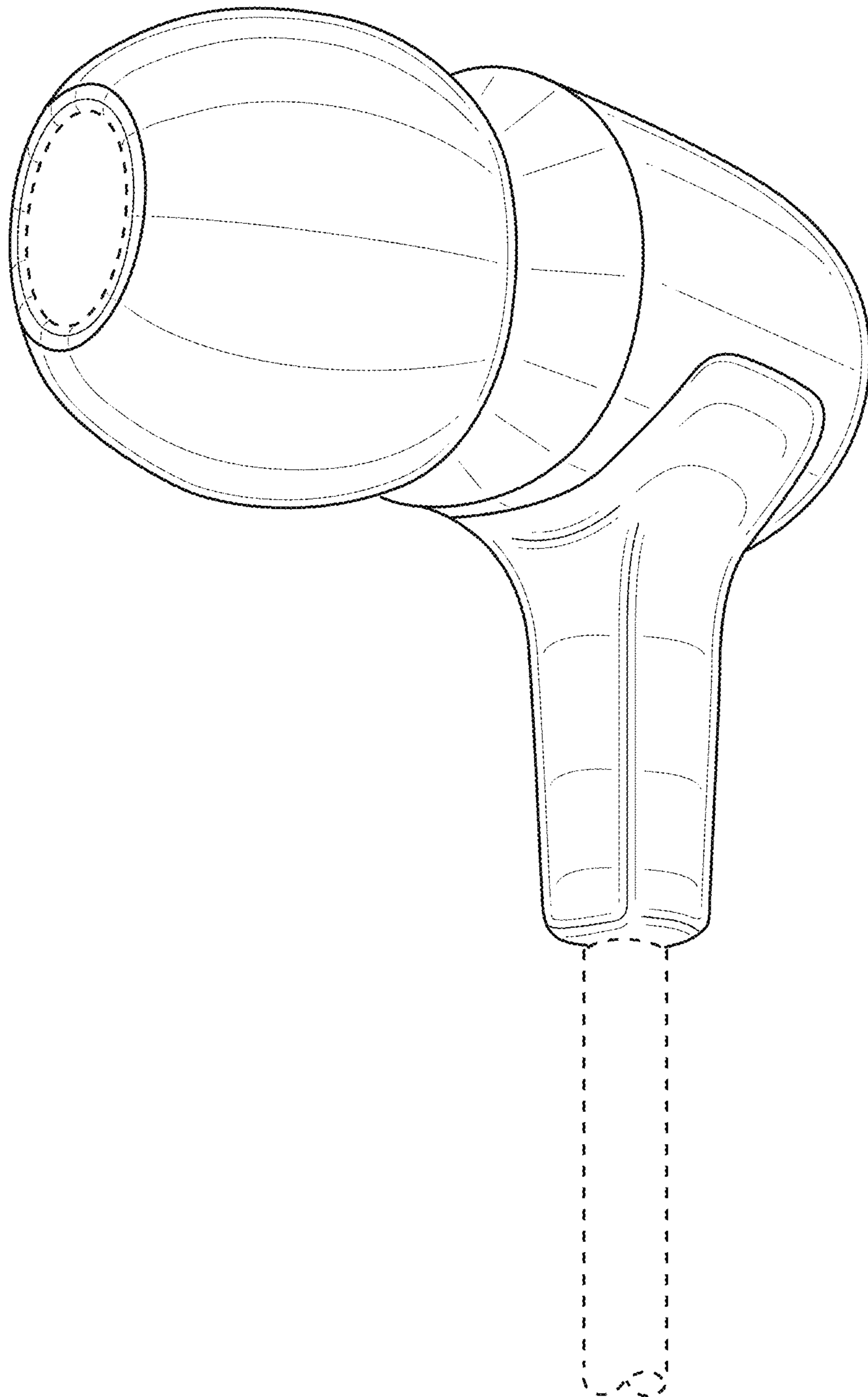


FIG. 10

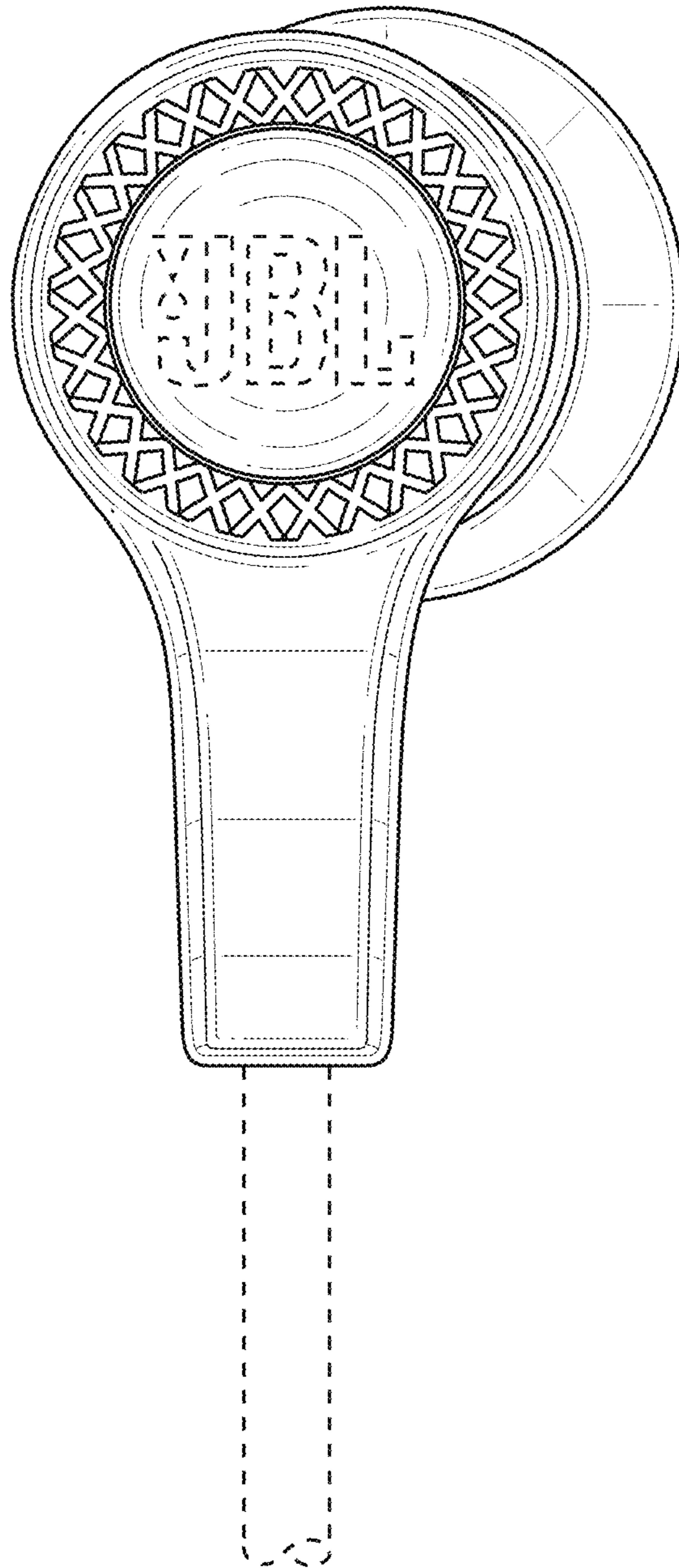


FIG. 11

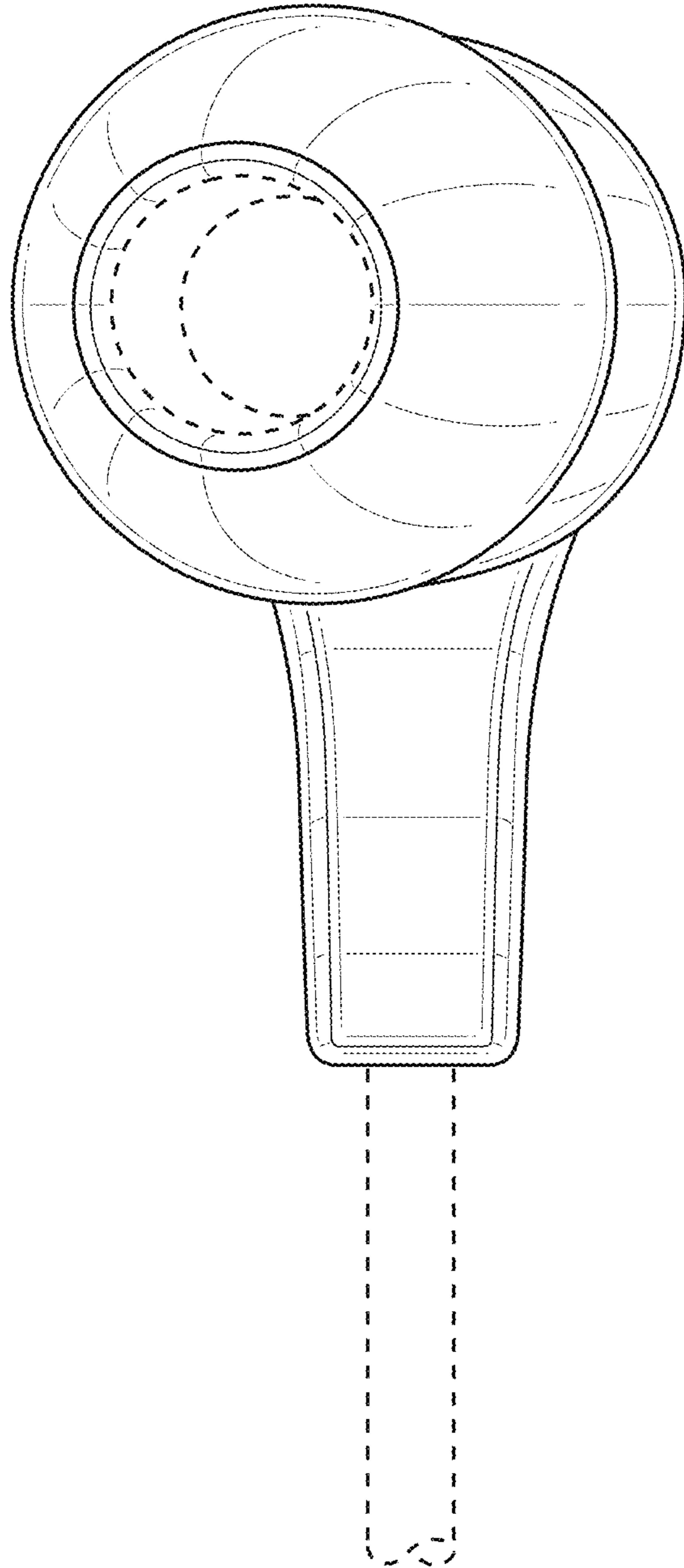


FIG. 12

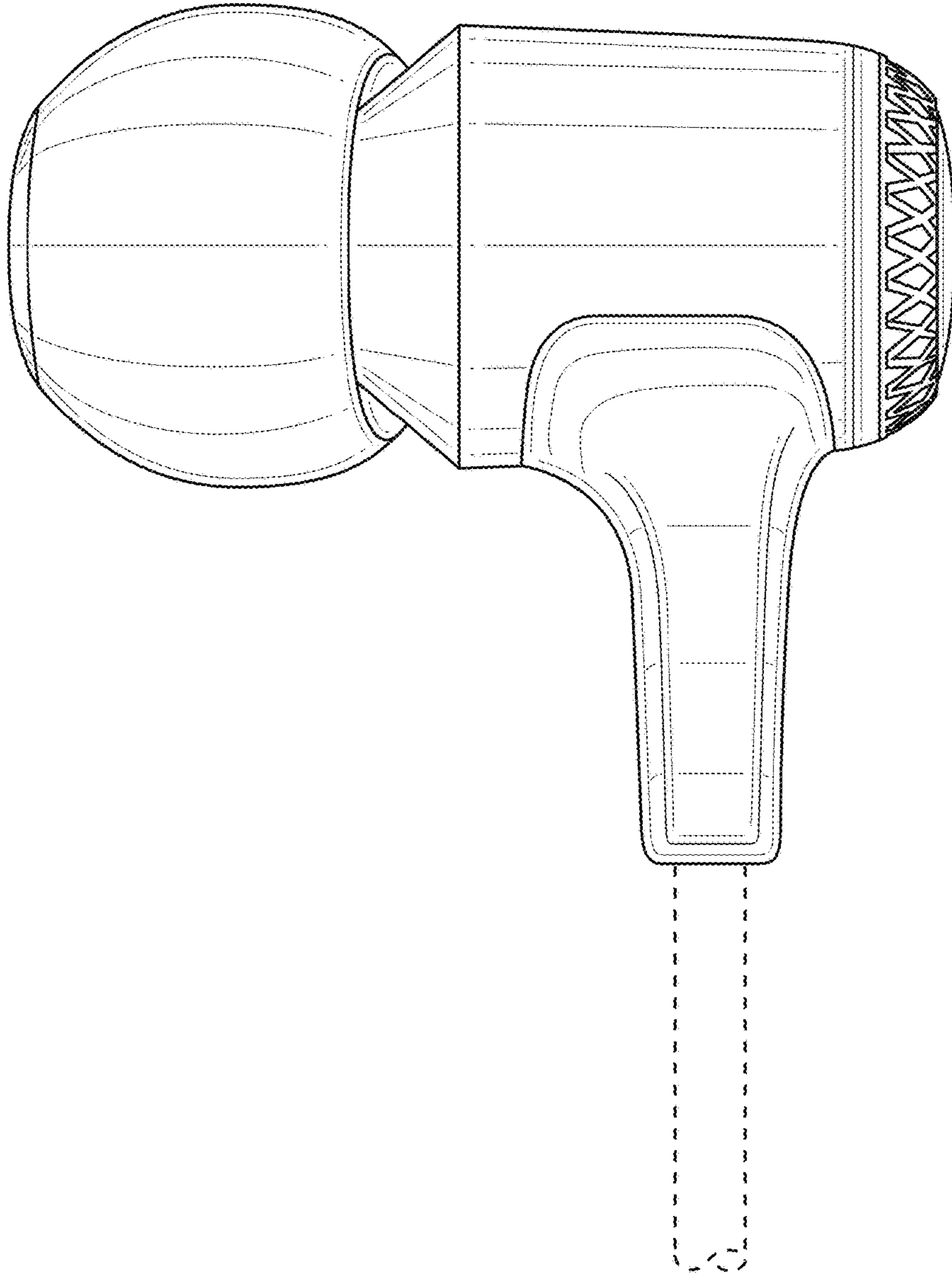


FIG. 13

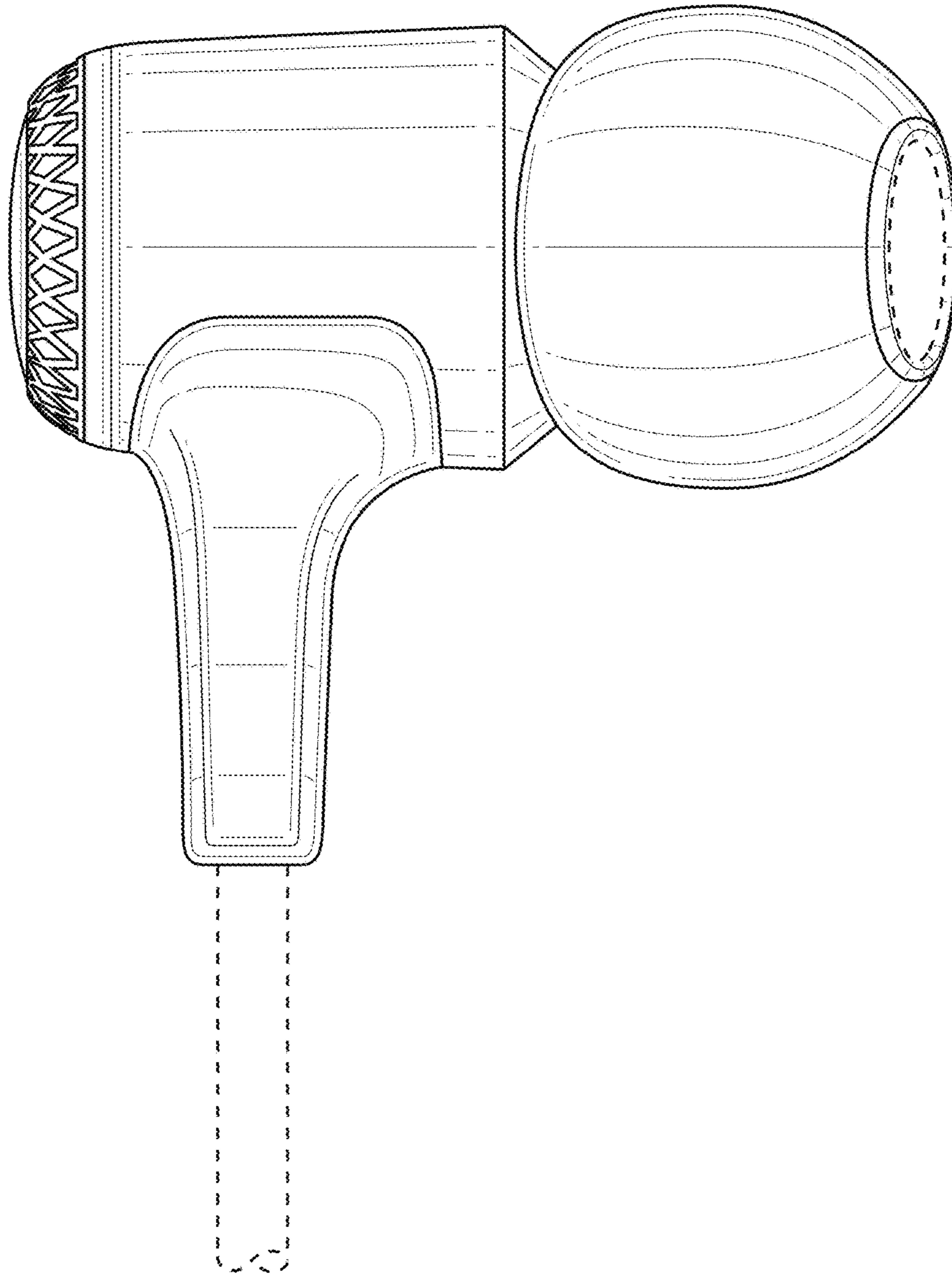


FIG. 14

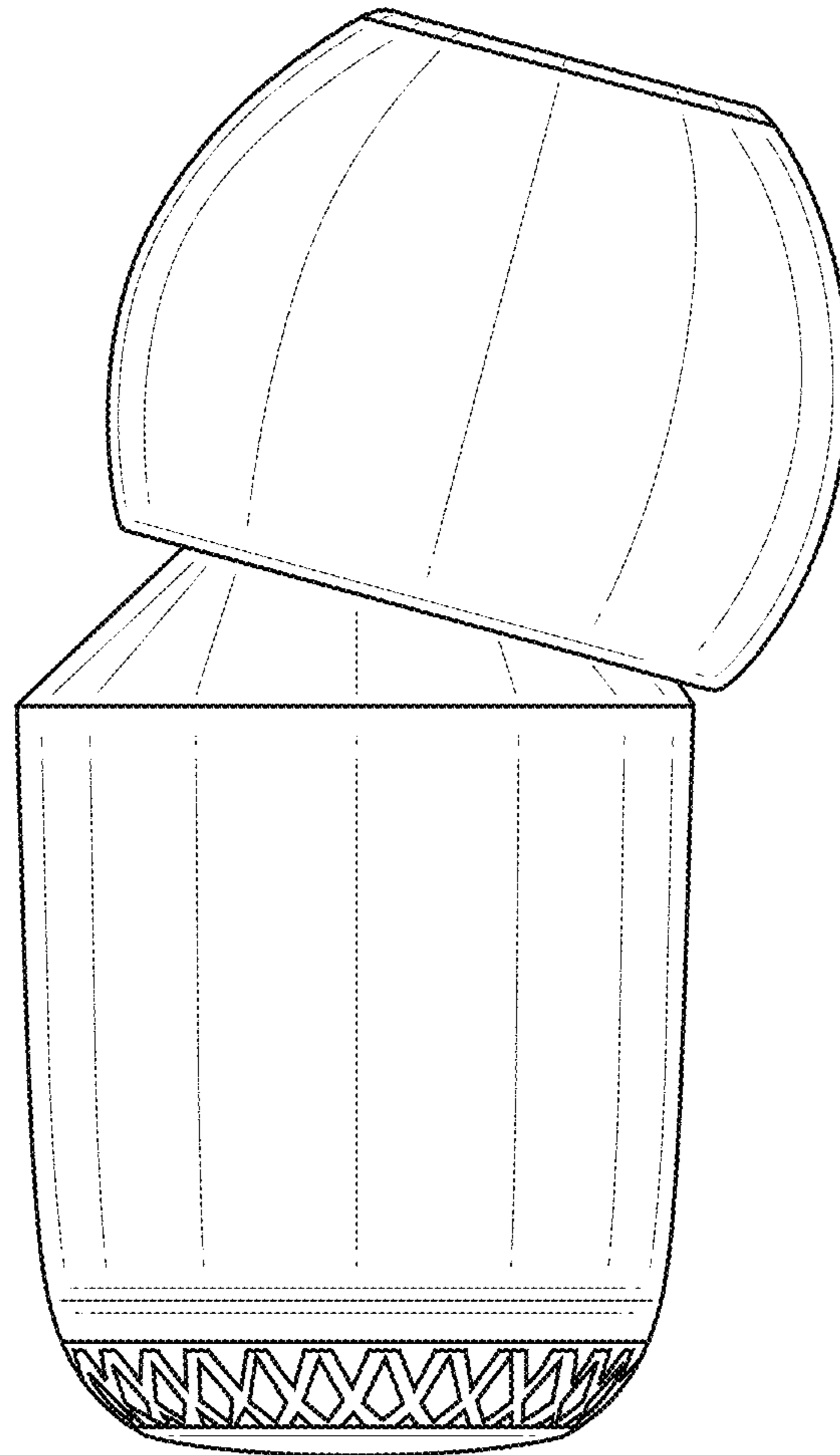


FIG. 15

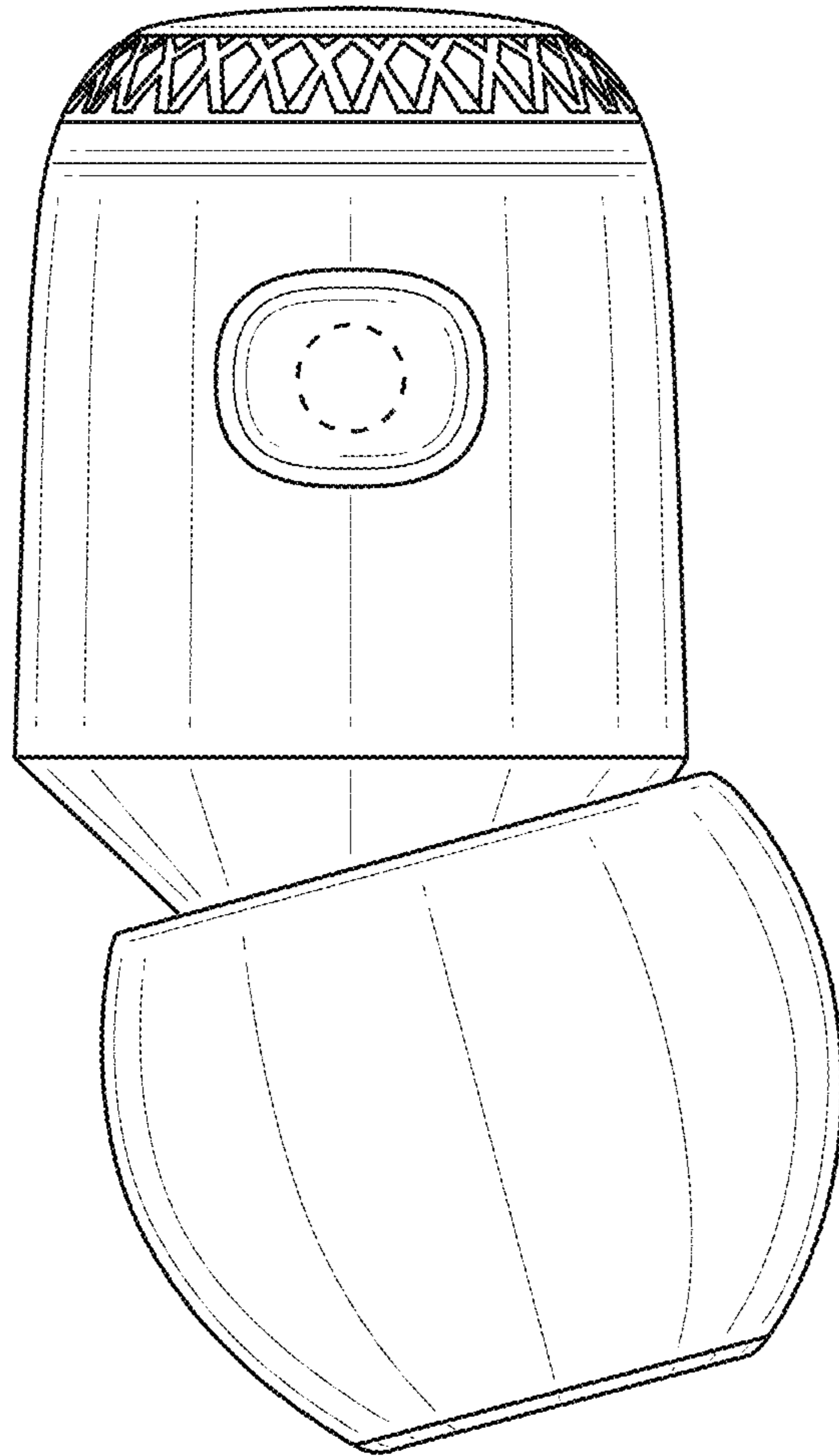


FIG. 16