



US00D806682S

(12) **United States Design Patent**
Katopis

(10) **Patent No.:** **US D806,682 S**
(45) **Date of Patent:** **** Jan. 2, 2018**

(54) **GLOVE-BASED DEVICE CONTROLLER**

(71) Applicant: **Chris J. Katopis**, Washington, DC
(US)

(72) Inventor: **Chris J. Katopis**, Washington, DC
(US)

(**) Term: **15 Years**

(21) Appl. No.: **29/551,062**

(22) Filed: **Jan. 10, 2016**

(51) **LOC (11) Cl.** **14-03**

(52) **U.S. Cl.**
USPC **D14/218; D2/619**

(58) **Field of Classification Search**
USPC D14/217, 218, 356, 388, 399–401,
D14/402–417, 432, 454–457; D13/132,
D13/162.1, 163, 164; D21/324, 332, 333;
D30/158; D29/113, 117.1; D2/610, 614,
D2/617, 618, 619, 620, 621, 623
CPC A41D 19/0013; A41D 19/0024; A41D
19/0027; A41D 19/01594; A63H 5/00;
A63B 71/146

See application file for complete search history.

(56) **References Cited**

U.S. PATENT DOCUMENTS

- 1,416,653 A * 5/1922 Lenneberg A41D 19/0027
2/160
- 1,416,654 A * 5/1922 Lenneberg A41D 19/0027
132/293
- 3,203,006 A * 8/1965 Shirey A63B 71/148
2/161.1
- D247,746 S 4/1978 Hall
- D252,926 S 9/1979 Thompson et al.
- D254,544 S 3/1980 McKinset et al.
- D255,565 S 6/1980 Aamoth et al.
- D268,689 S 4/1983 Nishi
- D271,312 S 11/1983 Renteria
- D271,313 S 11/1983 Nishi

- D280,053 S * 8/1985 Singer D29/117.1
 - D320,624 S 10/1991 Taylor
 - D348,083 S 6/1994 Smith, III et al.
 - D375,531 S 11/1996 Visser
 - D391,998 S 3/1998 Jwo
 - D402,976 S 12/1998 Heung
- (Continued)

OTHER PUBLICATIONS

Valuable Creativity: A commendable job with a ‘SmartGlove’ to empower the handicapped with a better life!, posted at beingjudgmental.com, posted Oct. 11, 2015, © 2015 Being Judgmental, [online], [site visited Feb. 9, 2017. Available from Internet, <URL: <http://www.beingjudgmental.com/2015/10/valuable-creativity-commendable-job.html>>.*

(Continued)

Primary Examiner — Anhdao Doan
Assistant Examiner — Mary Malley
(74) *Attorney, Agent, or Firm* — Chris J. Katopis

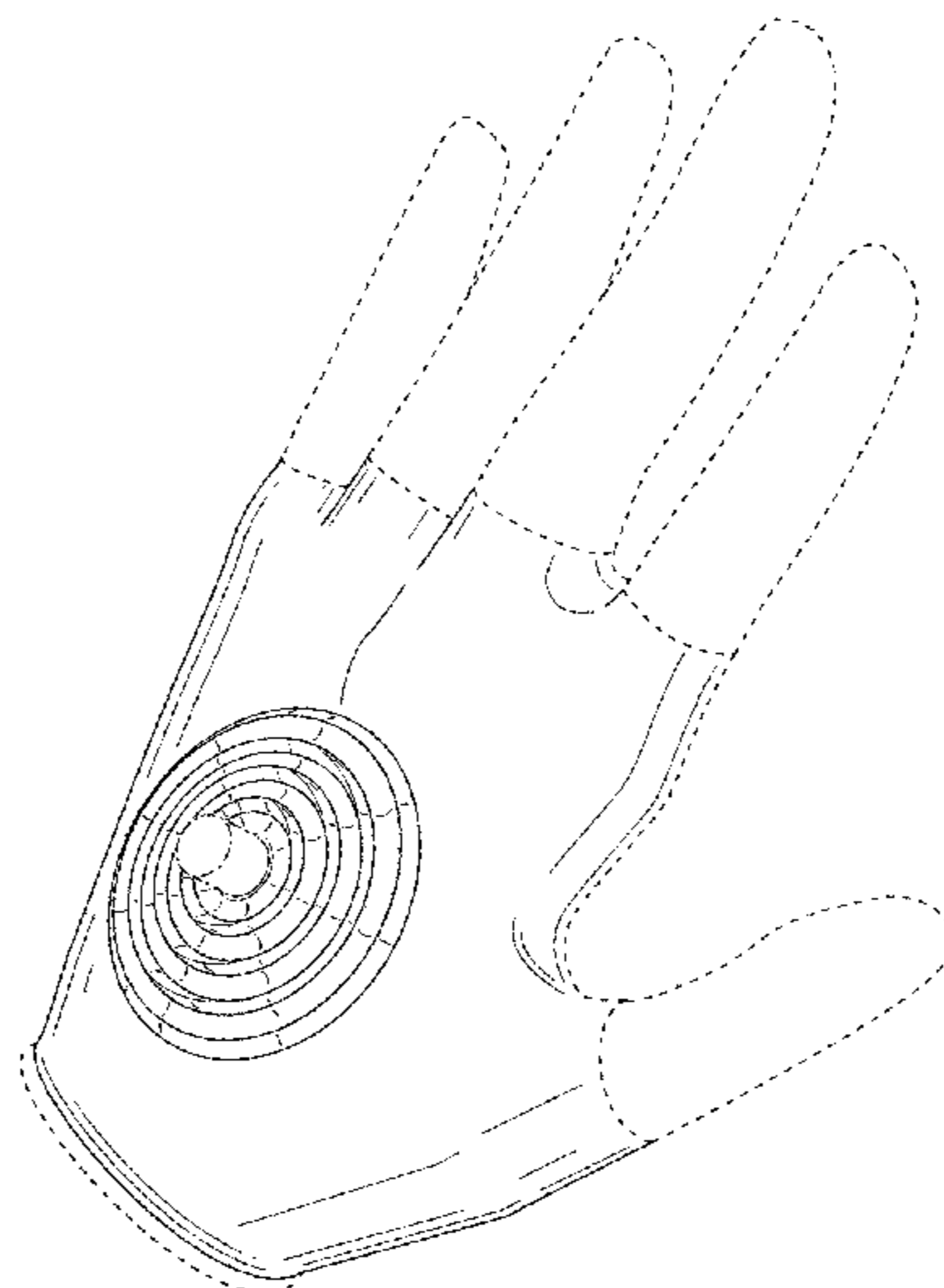
(57) **CLAIM**

The ornamental design for a glove-based device controller, or portion thereof, as shown and described.

DESCRIPTION

FIG. 1 is a perspective view of a glove-based device controller, showing my new design;
FIG. 2 is a top plan view thereof;
FIG. 3 is a bottom plan view thereof;
FIG. 4 is a side elevation view thereof;
FIG. 5 in an opposite side view thereof;
FIG. 6 is a front view thereof; and,
FIG. 7 is a rear view thereof.
The broken lines immediately adjacent to the shaded areas represent the bounds of the claim, and all other broken lines represent the environment. The broken lines form no part of the claimed design.

1 Claim, 5 Drawing Sheets



(56)

References Cited

U.S. PATENT DOCUMENTS

D408,028 S 4/1999 Everett
 D438,178 S 2/2001 Hames
 D465,221 S 11/2002 Hussaini et al.
 D469,767 S 2/2003 Hussaini et al.
 D478,589 S 8/2003 Hussaini et al.
 D478,590 S 8/2003 Hussaini et al.
 D508,088 S 8/2005 Hussaini et al.
 D524,812 S 7/2006 Hussaini et al.
 D542,358 S 5/2007 Proudfit et al.
 D544,924 S 6/2007 Meyer et al.
 D551,230 S 9/2007 Lau et al.
 D553,619 S 10/2007 Mak et al.
 D568,546 S * 5/2008 Mehrabani D29/117.2
 D571,806 S 6/2008 Goto
 D572,254 S 7/2008 Goto
 D600,673 S * 9/2009 Kim D14/205
 D601,149 S 9/2009 Claussen
 D602,655 S * 10/2009 Padolina-Archibald D30/158
 D610,144 S 2/2010 Claussen
 D620,940 S 8/2010 Claussen
 D623,649 S 9/2010 Claussen
 D640,856 S * 7/2011 Rose D2/614
 D679,399 S 4/2013 Syu
 D685,434 S 7/2013 Ali et al.
 D691,959 S 10/2013 Chu
 D700,182 S 2/2014 Kidakarn
 D707,755 S 6/2014 Bonnano
 D710,945 S 8/2014 Biheller et al.
 D710,946 S 8/2014 Biheller et al.
 D712,970 S 9/2014 Biheller et al.
 D715,362 S * 10/2014 He D14/401
 D718,396 S * 11/2014 Whitmore D2/614
 9,320,309 B2 * 4/2016 Morris A41D 27/205
 D772,988 S * 11/2016 Kujawski D14/401
 D774,724 S * 12/2016 Daniel D2/614
 2009/0077712 A1 * 3/2009 Polucha A63H 5/00
 2/160

2011/0023213 A1* 2/2011 Halbert A41D 19/0024
 2/162
 2015/0047096 A1* 2/2015 Smith A41D 19/0024
 2/160
 2015/0052660 A1* 2/2015 Chapman A45F 5/00
 2/160
 2016/0213318 A1* 7/2016 Parodi A41D 19/0027
 2016/0338172 A1* 11/2016 Fern H05B 37/0272

OTHER PUBLICATIONS

The Peregrine Gaming Glove, posted at geeky-gadgets.com, posted Dec. 21, 2009, [online], [site visited Feb. 9, 2017]. Available from Internet, <URL: <http://www.geeky-gadgets.com/the-peregrine-gaming-glove-21/12/2009/>>.*
 QUBE Director's Cut, posted at qube-game.com, available Apr. 18, 2012, © Toxic Games 2010 [online], [site visited Feb. 9, 2017]. Available from Internet, <URL: <http://qube-game.com/>>.*
 Minority Report Glove Lets You Control Your PC With Hand Gestures, posted at tek-bull.com, available May 11, 2012, © Tek-Bull, [online], [site visited Feb. 9, 2017]. Available from Internet, <URL: <http://tek-bull.com/2012/02/minority-report-glove-lets-you-control-your-pc-with-hand-gestures/s>>.*
 Gloveone makes Users Feel Virtual Reality via Touch Sensation, posted at techliveinfo.com, posted Jun. 12, 2015, © 2017 cloudpeermedia technologies, [online], [site visited Feb. 9, 2017]. Available from Internet, <URL: <http://techliveinfo.com/gloveone-makes-users-feel-virtual-reality-via-touch-sensation/>>.*
 Hacking a Powerglove, posted at instructables.com, available Feb. 12, 2012, © 2016 Autodesk, Inc., [online], [site visited Feb. 9, 2017]. Available from Internet, <URL: <http://www.instructables.com/id/Hacking-a-Powerglove/>>.*
 "Power Glove," Wikipedia [database online], [retrieved Jan. 10, 2016] <URL: <http://en.wikipedia.org/wiki/power-glove/>>.
 "Atari 2600," Wikipedia [database online], [retrieved Jan. 10, 2016] <URL: http://en.wikipedia.org/wiki/Atari_2600#/media/File:Atari-2600-Joystick.jpg>.

* cited by examiner

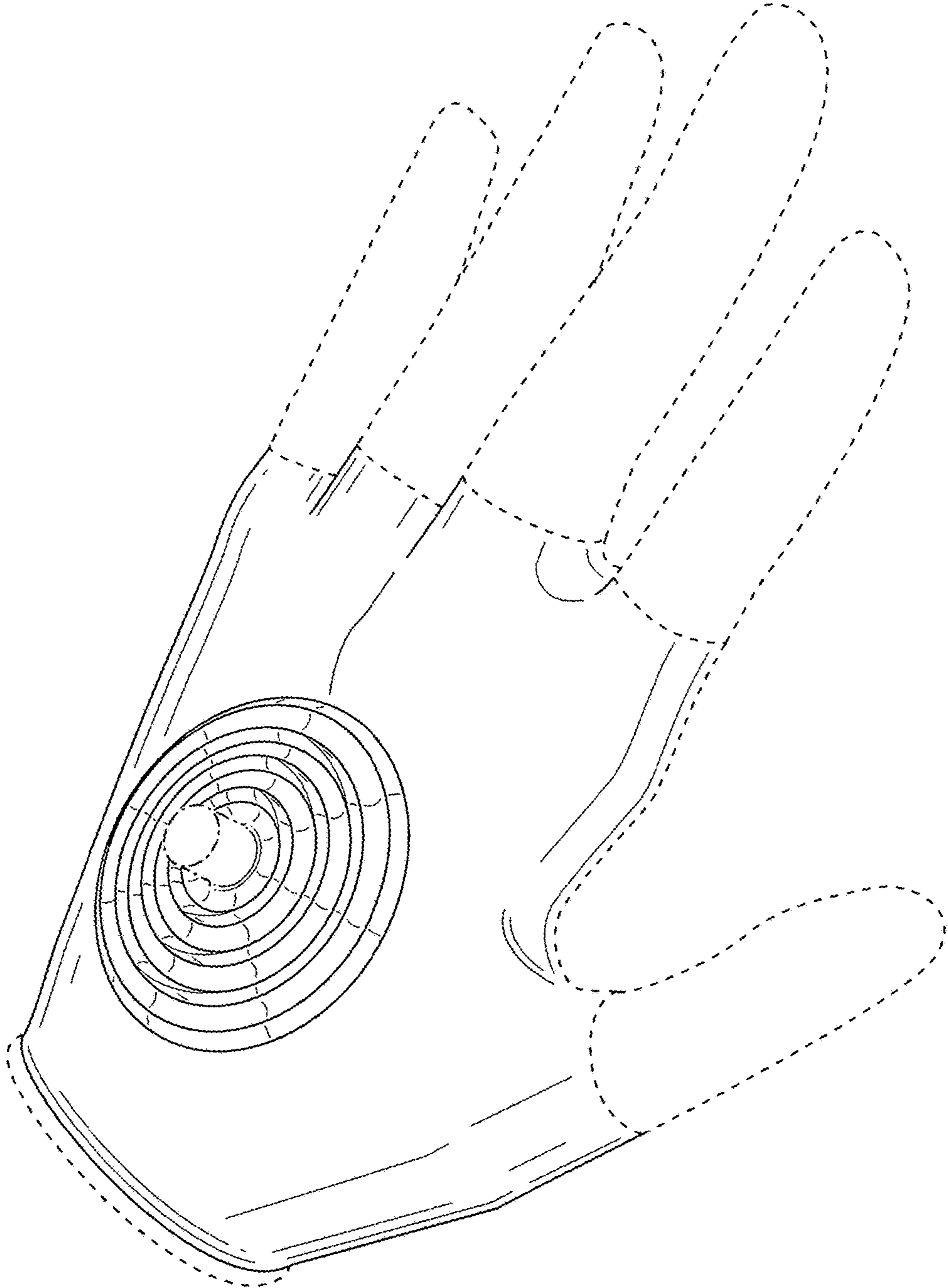


FIG. 1

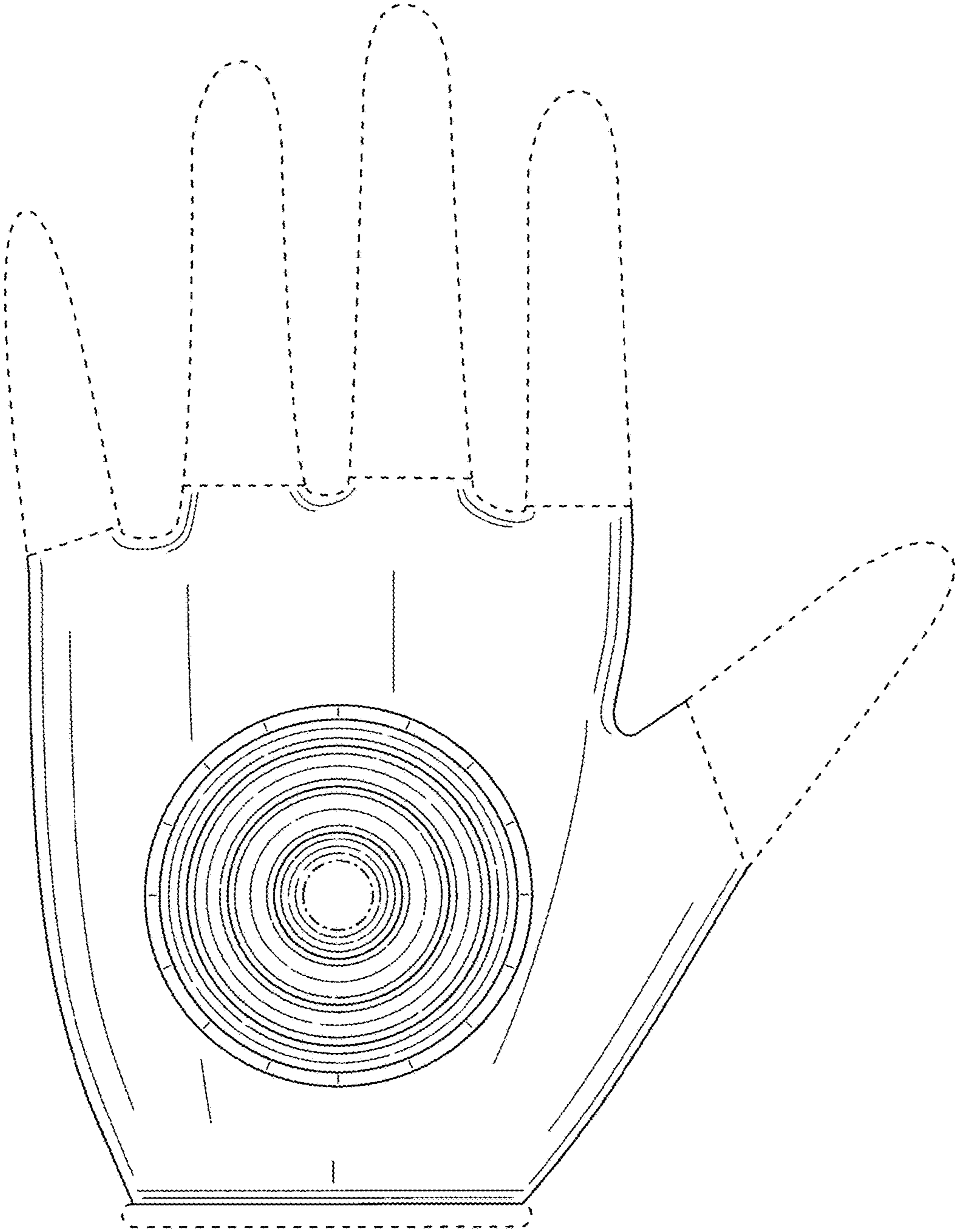


FIG. 2

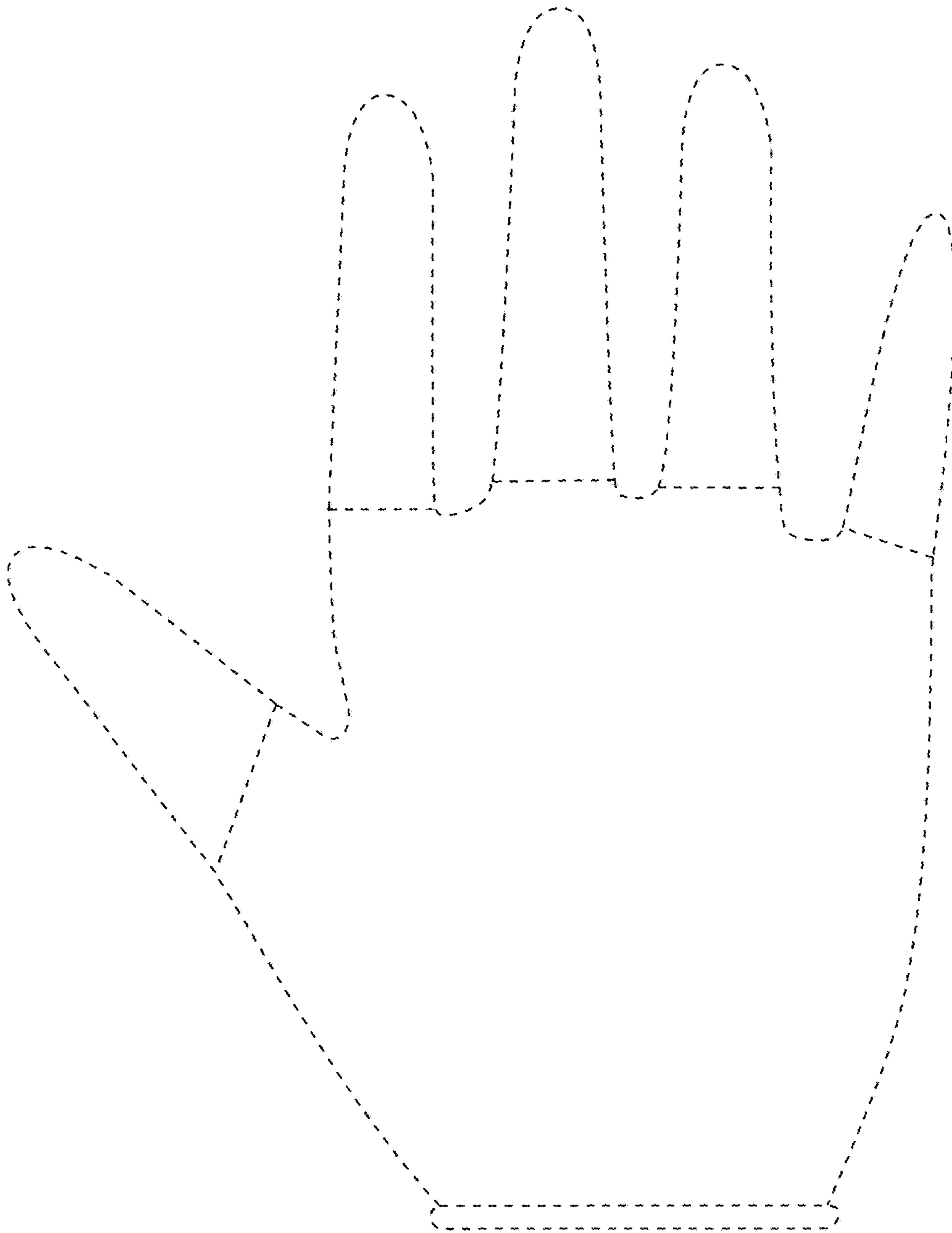


FIG. 3

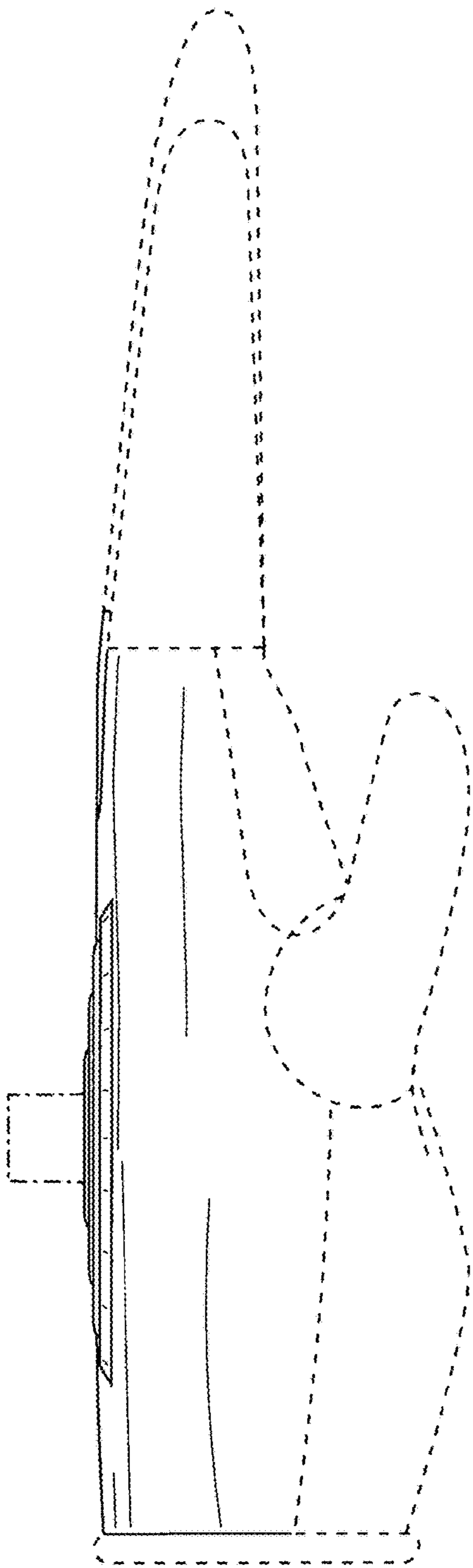


FIG. 4

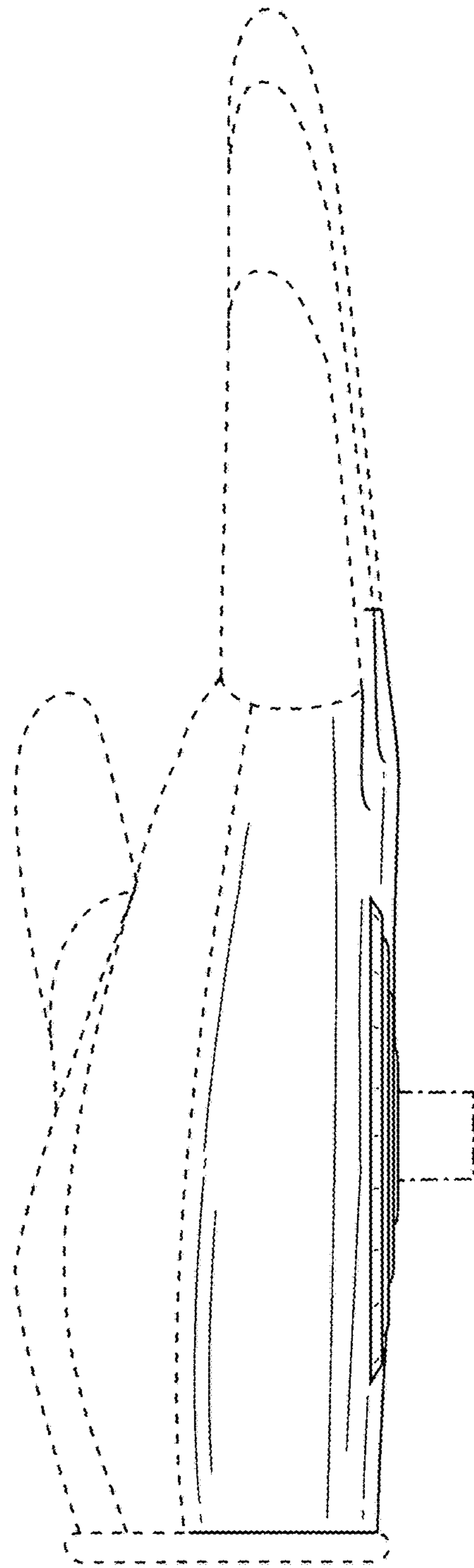


FIG. 5

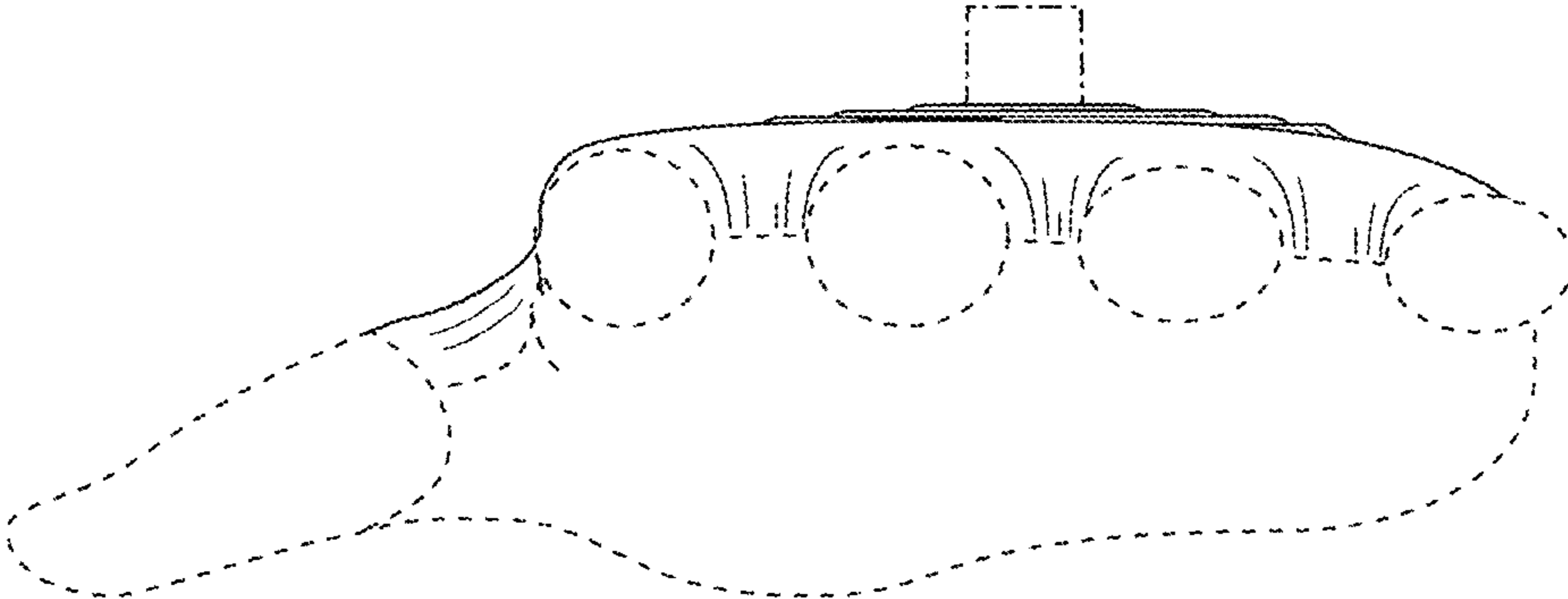


FIG. 6

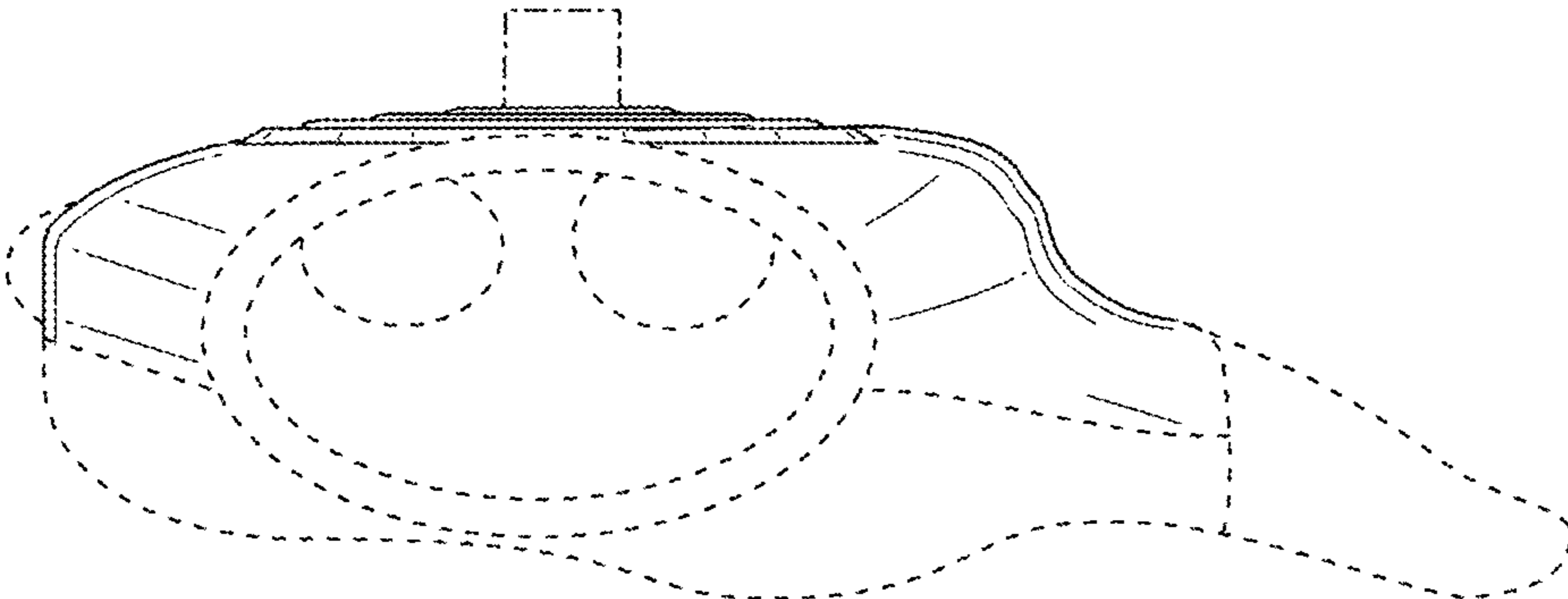


FIG. 7