

US00D806681S

(12) **United States Design Patent** (10) **Patent No.:** **US D806,681 S**
Pat et al. (45) **Date of Patent:** **** Jan. 2, 2018**

- (54) **AUDIO COMPONENT SWITCH**
- (71) Applicant: **Harman International Industries, Incorporated**, Northridge, CA (US)
- (72) Inventors: **Andrew Pat**, Potters Bar (GB);
Richard Morson, Potters Bar (GB)
- (73) Assignee: **Harman International Industries, Incorporated**, Northridge, CA (US)
- (**) Term: **15 Years**
- (21) Appl. No.: **29/556,249**
- (22) Filed: **Feb. 29, 2016**

Related U.S. Application Data

- (63) Continuation of application No. 29/538,904, filed on Sep. 9, 2015, now abandoned.
- (51) **LOC (11) Cl.** **14-03**
- (52) **U.S. Cl.**
USPC **D14/217**
- (58) **Field of Classification Search**
USPC D14/217, 257, 258, 434, 496, 162, 167, D14/175, 188, 196-198; D2/627-640; D8/44, 71-74, 313, 314, 321, 354-356, D8/382, 384, 394-398; D13/158, 162, D13/170, 171, 173
CPC H04R 3/00; H04R 2499/11; H04R 1/1091; H04R 1/406; H04R 2420/07; H04R 27/00; H04R 29/004; H04R 3/005; H04R 5/04; H04R 1/02; H04R 1/10; H04R 1/1016; H04R 1/1041; H04R 1/1083; H04R 2201/021; H04R 2201/107; H04R 2201/40; H04R 2201/401; H04R 2201/405; H04R 2227/003; H04R 2410/05; H04R 2410/07; H04R 2420/01; H04R 2420/09; H04R 2430/01; H04R 2430/03; H04R 2460/01; H04R 2460/09
See application file for complete search history.

- (56) **References Cited**
U.S. PATENT DOCUMENTS
- 4,131,870 A * 12/1978 Hilgendorf H01C 10/44
338/176
- 4,947,054 A * 8/1990 Flowers H01H 3/0213
200/547
- D342,481 S * 12/1993 Kukulies D13/164
- D355,768 S * 2/1995 Cook D11/215
- D566,539 S * 4/2008 Hicks D8/395
- D599,080 S * 9/2009 Pantoja D2/627
- D608,628 S * 1/2010 Knuuttila D8/395
- D661,462 S * 6/2012 Mouquet D2/634
- D726,993 S * 4/2015 Ermel D2/627
- D747,636 S * 1/2016 Maher D8/72
- D761,089 S * 7/2016 Chen D8/356
- D770,887 S * 11/2016 Sudol D8/395
- D771,594 S * 11/2016 Hong D14/217
- D778,262 S * 2/2017 Ito D14/217
- D780,161 S * 2/2017 Kimura D14/217
- D780,718 S * 3/2017 Jackson D14/217

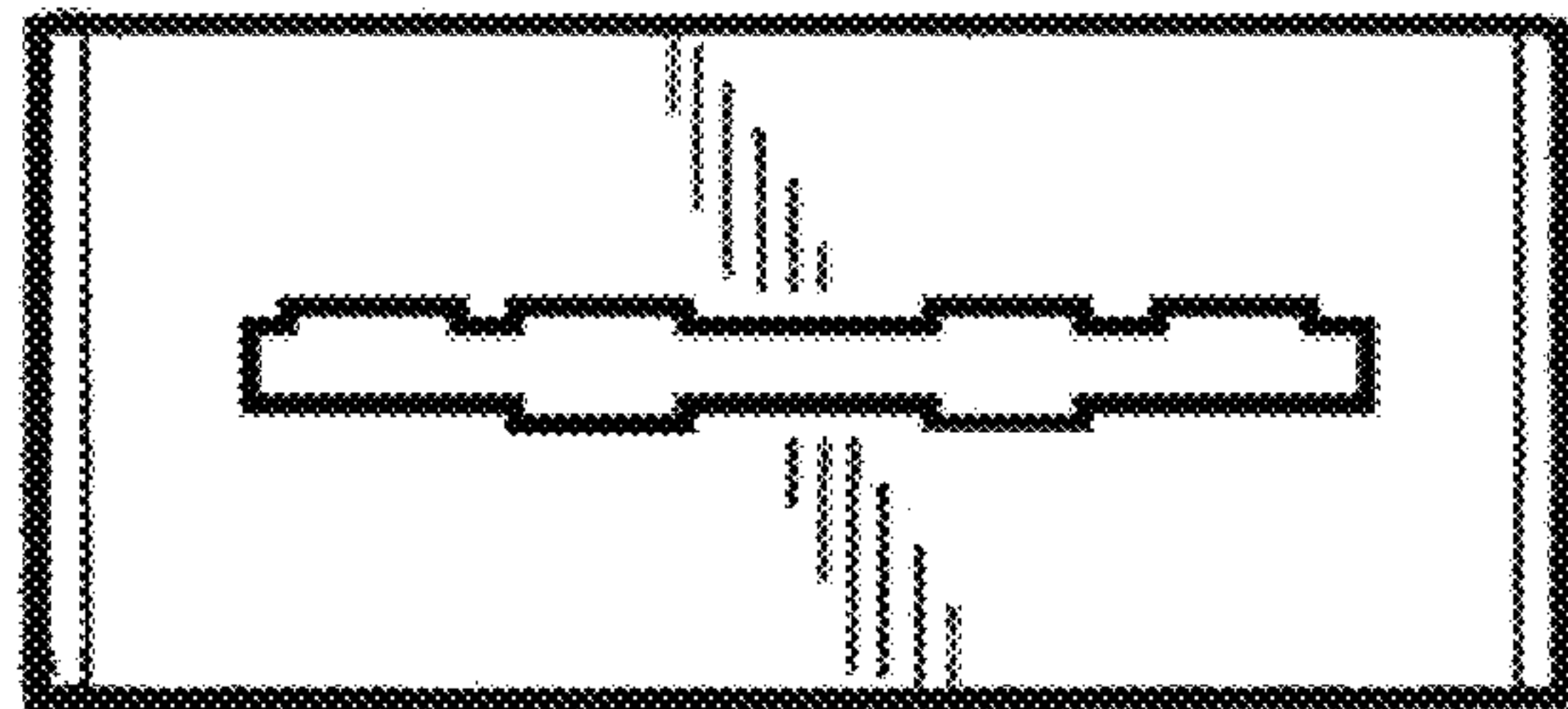
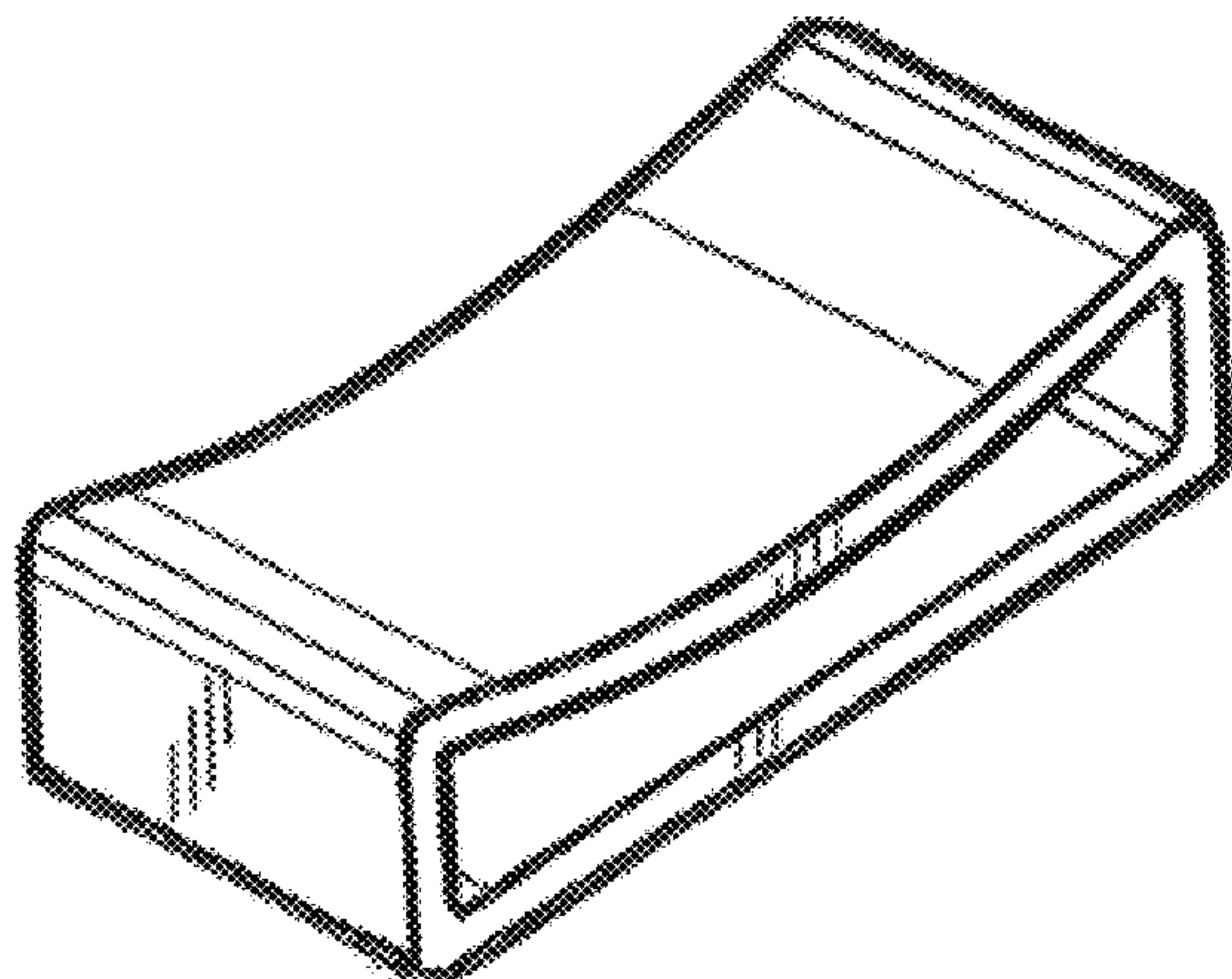
* cited by examiner

Primary Examiner — Ian Simmons
Assistant Examiner — Khawaja Anwar
(74) *Attorney, Agent, or Firm* — Plumsea Law Group, LLC

(57) **CLAIM**
The ornamental design for an audio component switch, as shown and described.

DESCRIPTION
FIG. 1 is a perspective view of an audio component switch showing our new design;
FIG. 2 is top plan view thereof;
FIG. 3 is an end elevational view thereof, the opposite end elevational view being a mirror image thereof;
FIG. 4 is a side elevational view thereof, the opposite side elevational view being a mirror image thereof; and,
FIG. 5 is a bottom plan view thereof.

1 Claim, 1 Drawing Sheet



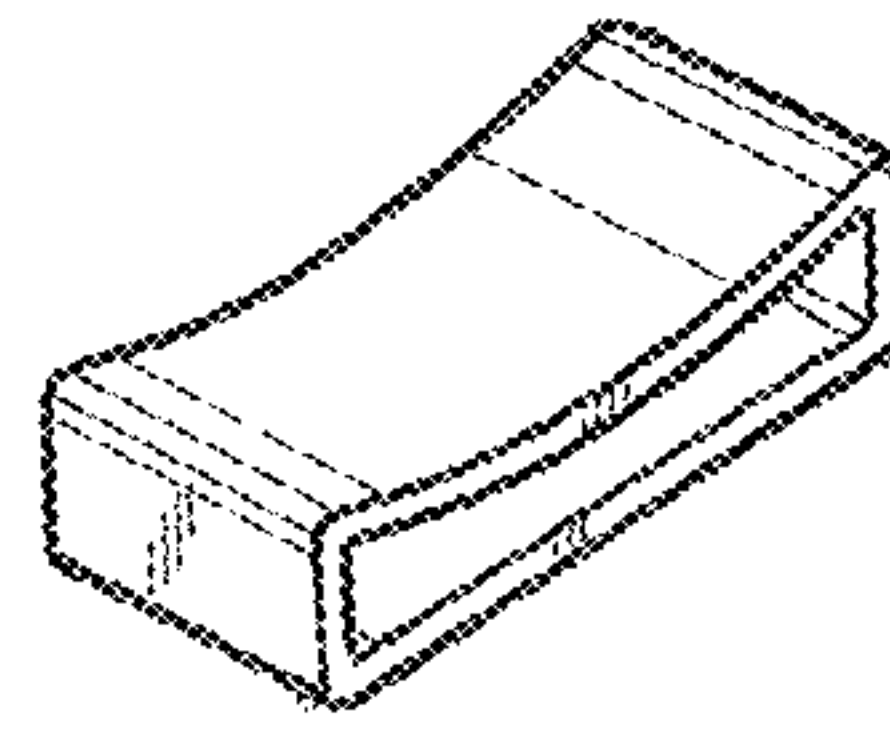


Fig. 1

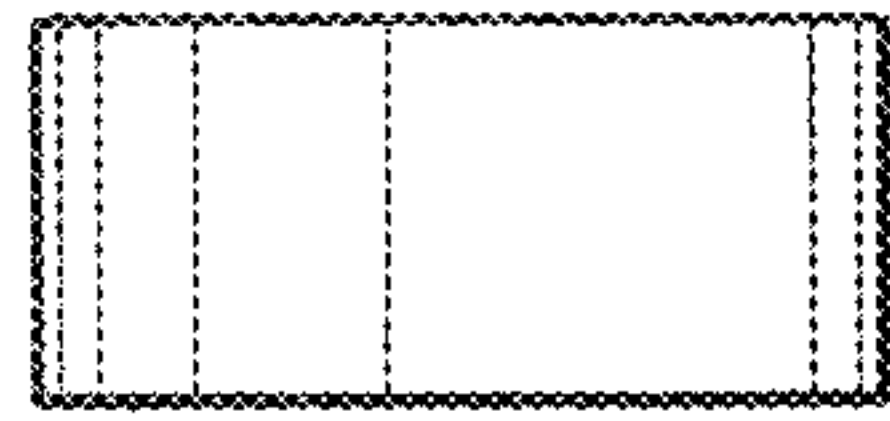


Fig. 2



Fig. 3

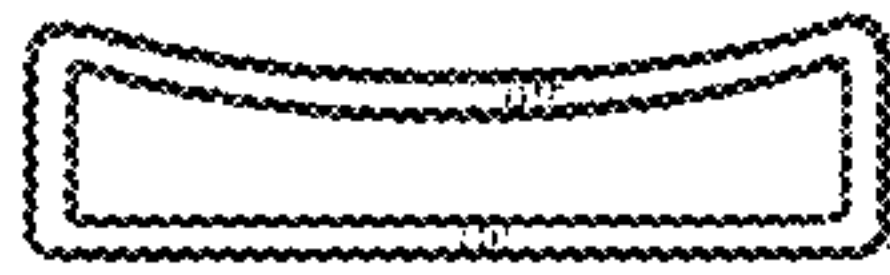


Fig. 4



Fig. 5