



US00D806680S

(12) **United States Design Patent**
Demin et al.

(10) **Patent No.:** **US D806,680 S**
(45) **Date of Patent:** **** Jan. 2, 2018**

- (54) **LOUDSPEAKER**
- (71) Applicant: **Harman International Industries, Incorporated**, Northridge, CA (US)
- (72) Inventors: **Alexander Demin**, Shenzhen (CN); **Teddy Hwang**, Shenzhen (CN)
- (73) Assignee: **Harman International Industries, Incorporated**, Northridge, CA (US)
- (**) Term: **15 Years**
- (21) Appl. No.: **29/563,997**
- (22) Filed: **May 10, 2016**

4,050,493 A *	9/1977	Cho	A45C 3/00
				150/100
D310,835 S	9/1990	Grimes		
D329,851 S	9/1992	Yoo		
D347,429 S	5/1994	Kanatani et al.		
D348,461 S	7/1994	Peersmann		
D395,432 S *	6/1998	Woolley	D14/168
D396,860 S *	8/1998	Yasutomi	D10/119.2
D435,840 S	1/2001	Ishibashi et al.		
D450,047 S *	11/2001	Kim	D14/168
D451,084 S *	11/2001	Su	D14/155
D460,956 S	7/2002	Zeitman		
D471,896 S	3/2003	Solland		
D471,897 S	3/2003	Solland		
D472,230 S *	3/2003	Chan	D14/196

(Continued)

Primary Examiner — Paula Allen Greene
(74) *Attorney, Agent, or Firm* — Plumsea Law Group, LLC

Related U.S. Application Data

- (62) Division of application No. 29/550,255, filed on Dec. 31, 2015.
- (51) **LOC (11) Cl.** **14-01**
- (52) **U.S. Cl.**
USPC **D14/216**
- (58) **Field of Classification Search**
USPC ... D14/216, 204, 209.1, 215, 220, 221, 168, D14/172, 188, 214, 156-157, 135-136, D14/160, 167; D13/108; D3/282; 455/344, 345, 347-351
CPC H04R 1/102; H04R 1/105; H04R 5/02; H04R 5/00; H04R 9/06; H04R 1/02
See application file for complete search history.

(57) **CLAIM**

The ornamental design for a loudspeaker, as shown and described.

DESCRIPTION

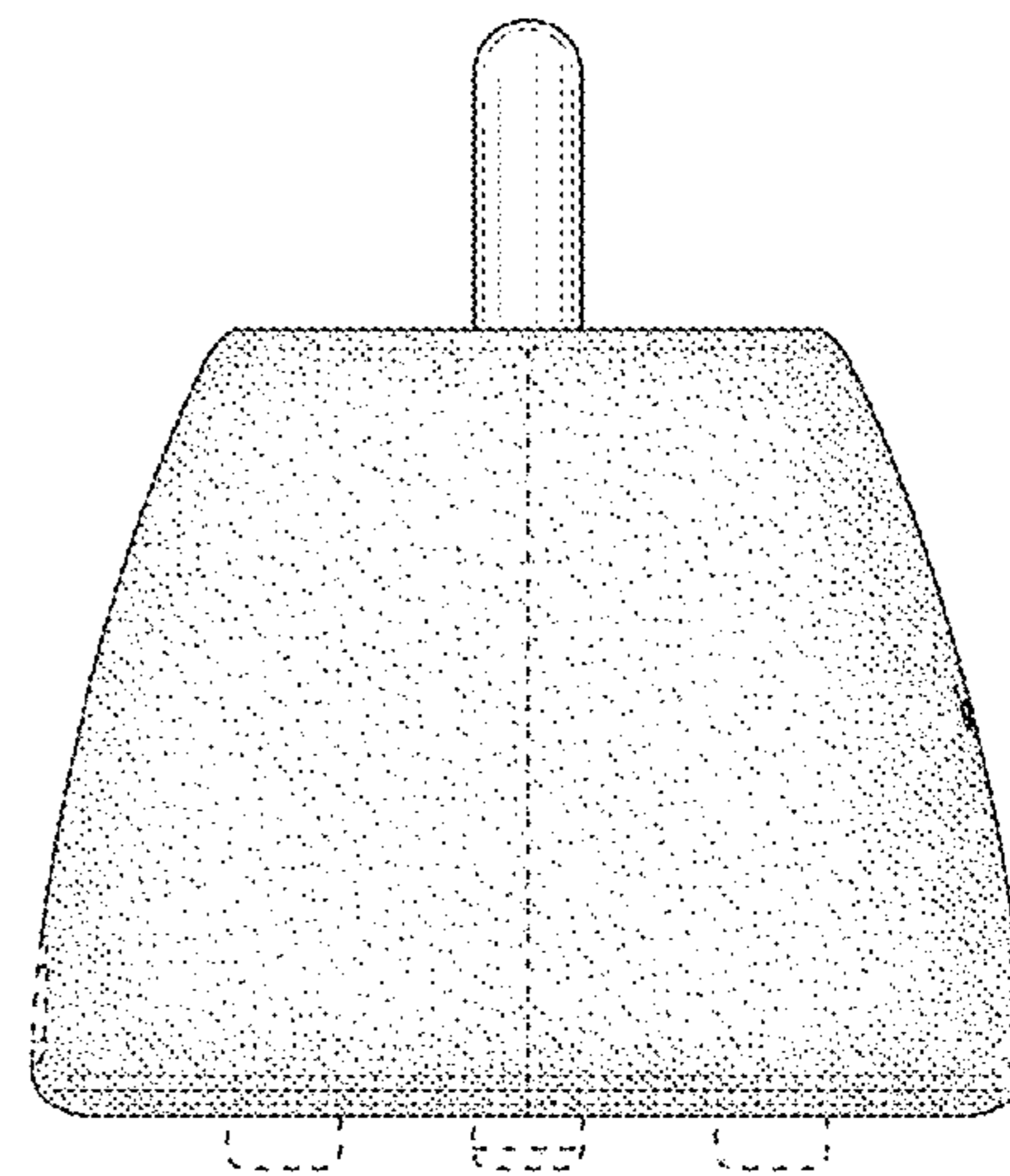
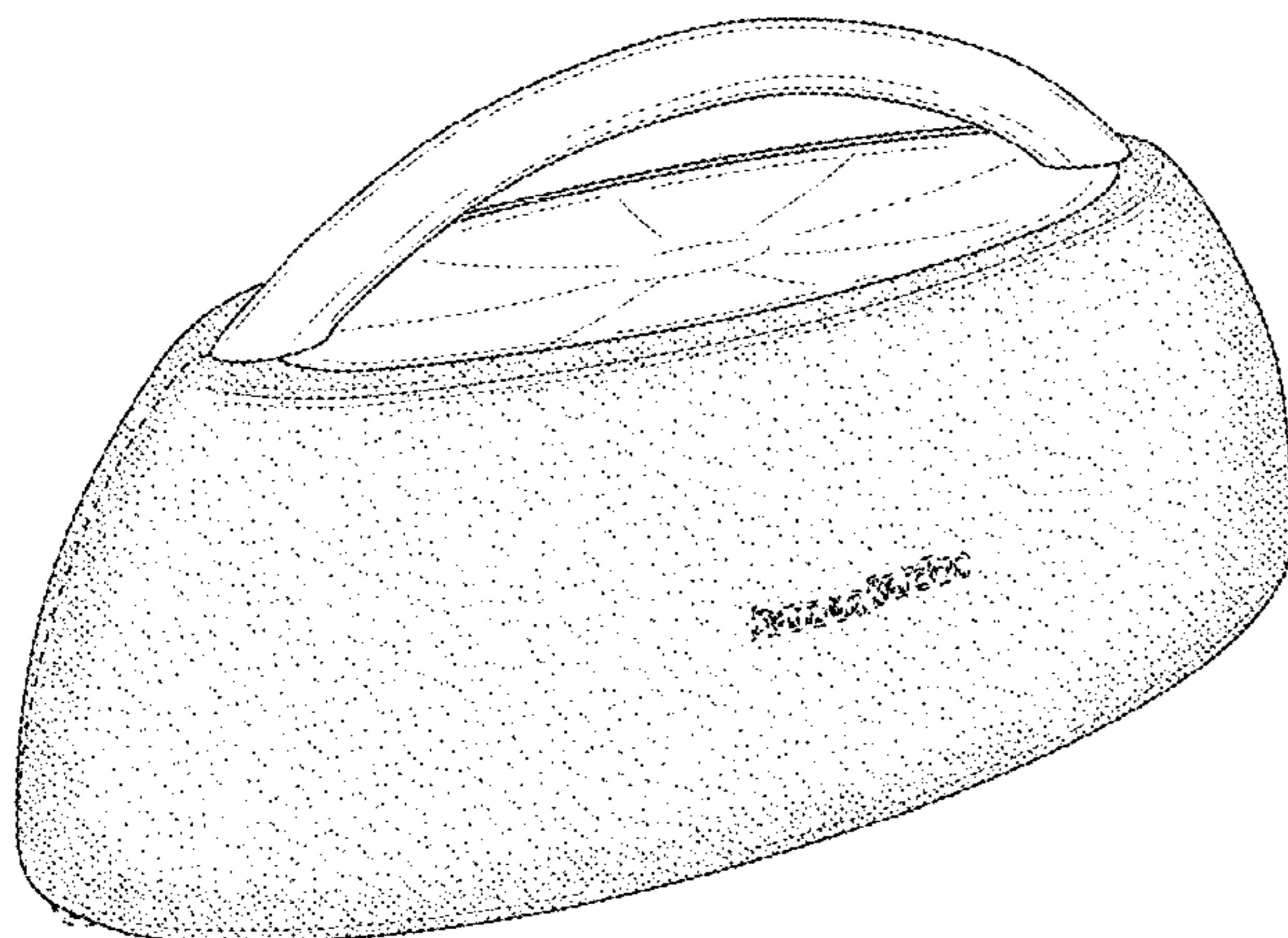
FIG. 1 is a top perspective view of a loudspeaker showing the new design;
FIG. 2 is a front elevational view thereof;
FIG. 3 is a rear elevational view thereof;
FIG. 4 is a left side elevational view thereof;
FIG. 5 is a right side elevational view thereof;
FIG. 6 is a top view thereof; and,
FIG. 7 is a bottom view thereof.
The evenly spaced broken lines and unshaded areas show unclaimed subject matter only and form no part of the claimed design. The dot-dash-dot broken lines immediately adjacent the shaded areas represent the bounds of the claimed design while all other broken lines depict environment; the broken lines form no part of the claimed design.

(56) **References Cited**

U.S. PATENT DOCUMENTS

2,502,832 A *	4/1950	Dockendorff	H04B 1/086
				116/243
3,059,720 A	10/1962	Matsuoka		
D195,561 S *	7/1963	Erickson	D14/214
3,143,182 A	8/1964	Sears et al.		
3,144,065 A *	8/1964	Burgio, Jr.	A45C 15/00
				150/100

1 Claim, 7 Drawing Sheets



(56)

References Cited

U.S. PATENT DOCUMENTS

D485,824 S 1/2004 Olson et al.
 D491,166 S * 6/2004 Hakoda D14/214
 D492,277 S 6/2004 Esslinger et al.
 D505,129 S * 5/2005 Yuyama D14/168
 D505,130 S * 5/2005 Yuyama D14/168
 D509,183 S 9/2005 Solland
 D512,044 S 11/2005 Esslinger et al.
 D514,090 S 1/2006 Carbone et al.
 D514,545 S 2/2006 Watanabe
 D516,053 S 2/2006 Hibi
 D516,538 S * 3/2006 Hibi D14/168
 D524,287 S 7/2006 Hibi
 D525,193 S 7/2006 Vu
 D536,665 S 2/2007 Solland
 D538,258 S 3/2007 Ishibashi
 D540,784 S 4/2007 Yoon
 D543,936 S 6/2007 Wada
 D546,813 S * 7/2007 Lewis D14/168
 D554,583 S * 11/2007 Solland D13/108
 D574,363 S * 8/2008 Laituri D14/168
 D578,105 S * 10/2008 Komiyama D14/214

D578,106 S * 10/2008 Shimizu D14/214
 D641,007 S * 7/2011 Skurdal D14/214
 D641,731 S * 7/2011 Hoggarth D14/216
 D655,276 S * 3/2012 Joseph D14/214
 D690,738 S * 10/2013 York D14/188
 D693,329 S * 11/2013 Lee D14/210
 D707,656 S * 6/2014 Brunner D14/216
 D710,859 S * 8/2014 Mecchella D14/440
 D713,381 S * 9/2014 Riggs D14/214
 D728,515 S * 5/2015 Lee D14/209.1
 D728,524 S * 5/2015 Cho D14/216
 D737,244 S * 8/2015 Kim D14/214
 D752,550 S * 3/2016 Lee D14/216
 D755,154 S * 5/2016 Paterson D14/204
 D755,155 S * 5/2016 Paterson D14/204
 D755,756 S * 5/2016 Brunner D14/216
 D755,757 S * 5/2016 Brunner D14/216
 D760,684 S * 7/2016 Green D14/204
 D784,292 S * 4/2017 Kim D14/214
 D785,597 S * 5/2017 Fung D14/204
 D787,472 S * 5/2017 Liu D14/204
 2003/0117107 A1 6/2003 Zick et al.
 2005/0285560 A1 12/2005 Glasgow et al.
 2007/0024237 A1 2/2007 Cole et al.

* cited by examiner

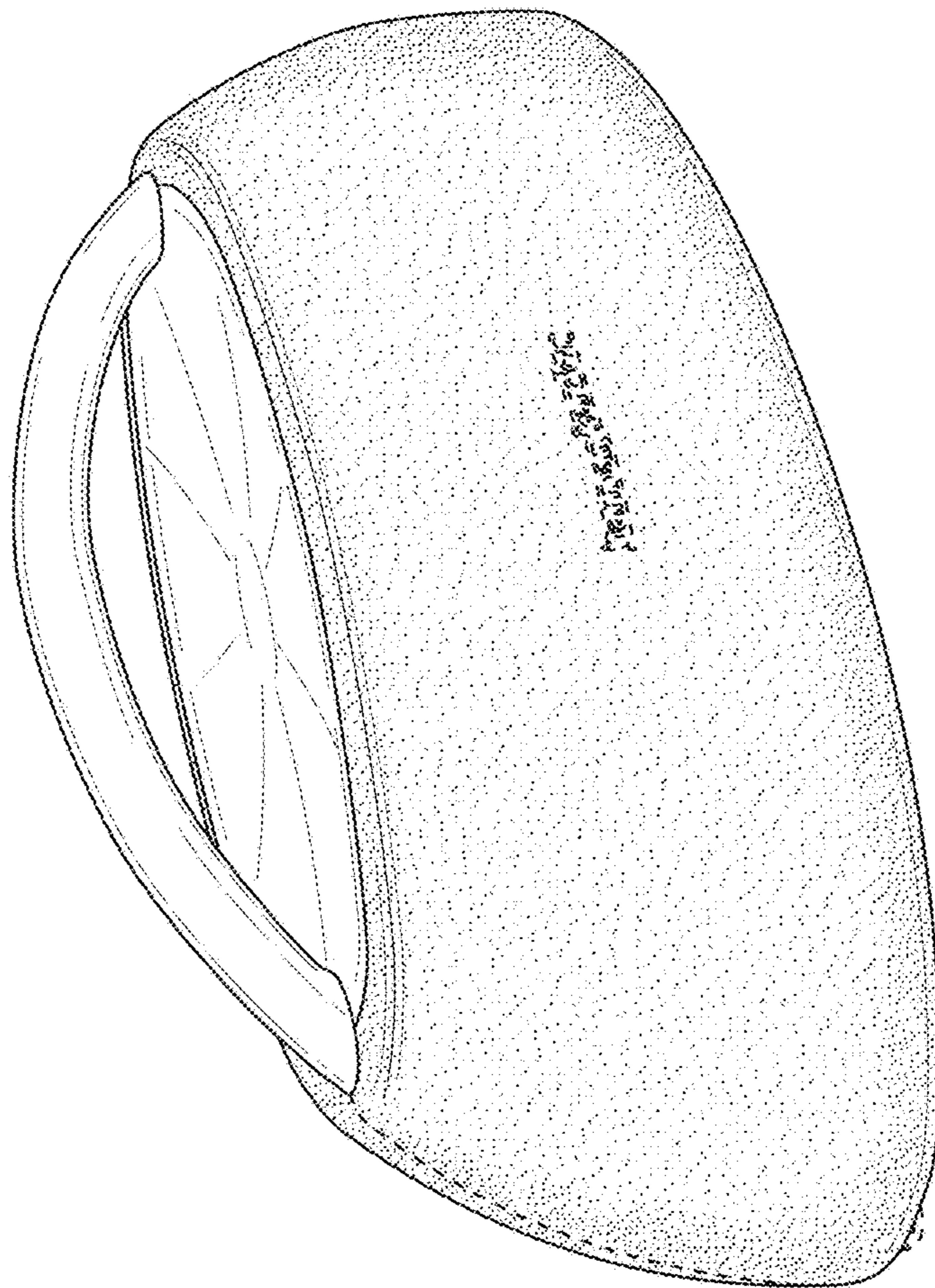


FIG. 1

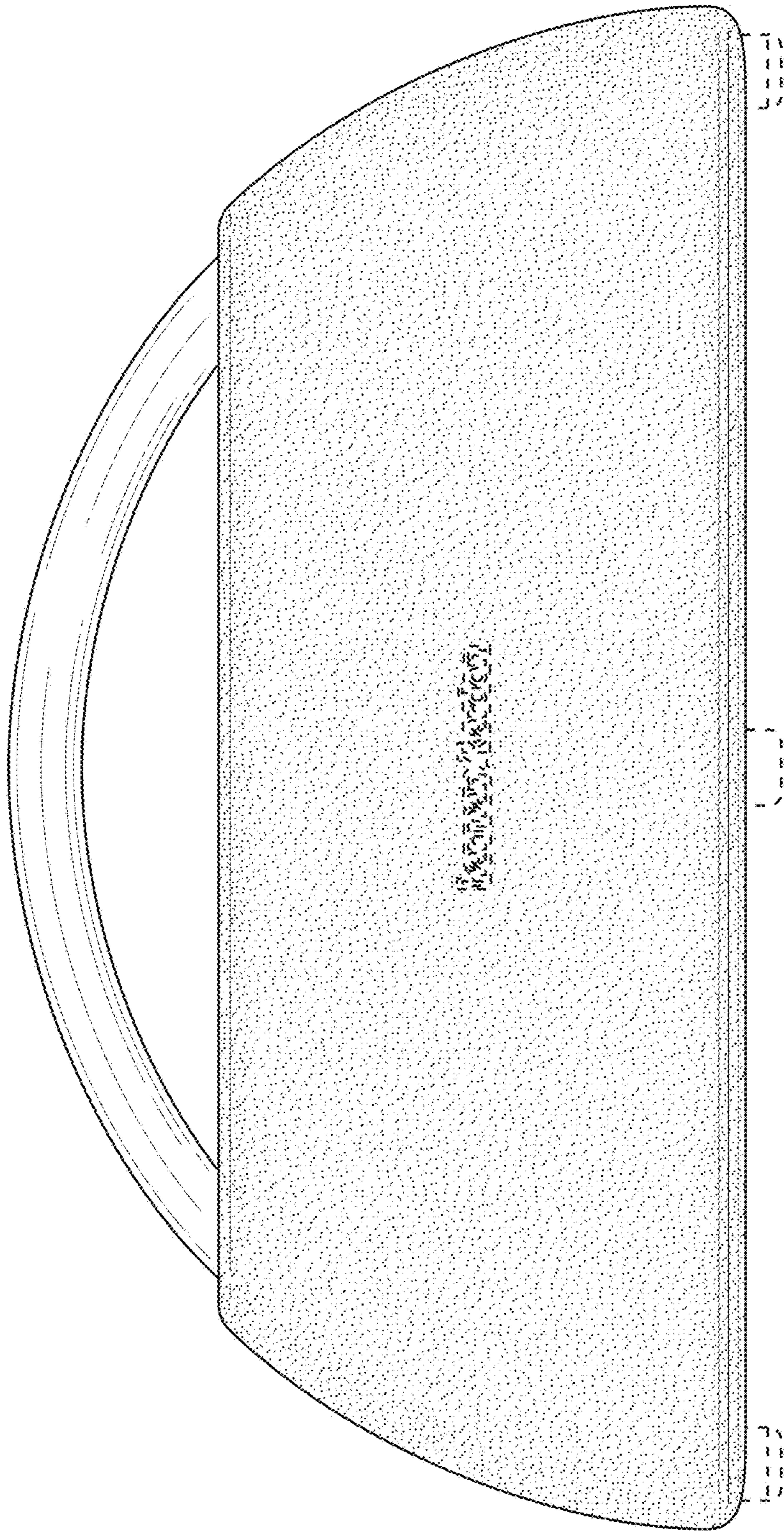


FIG. 2

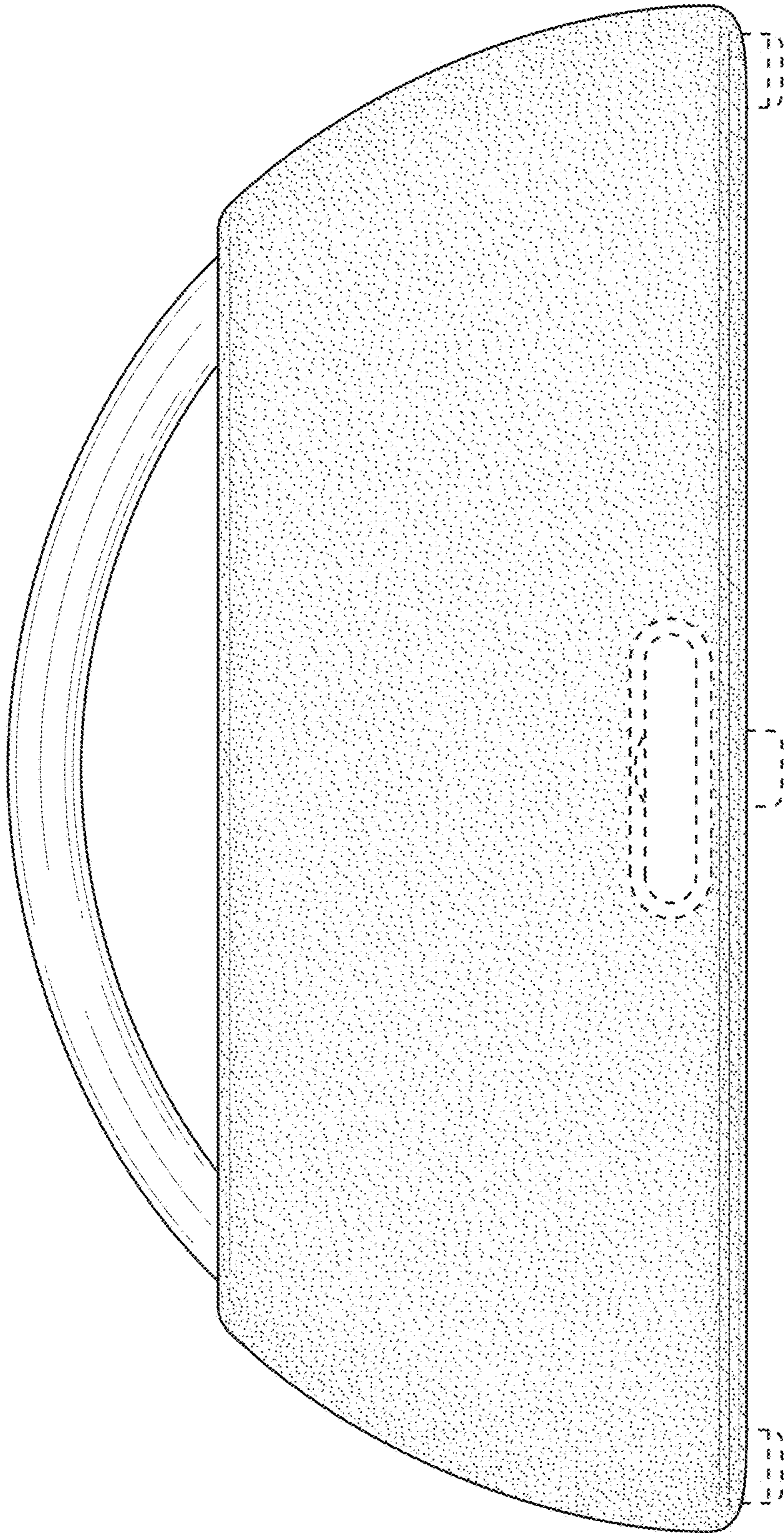


FIG. 3

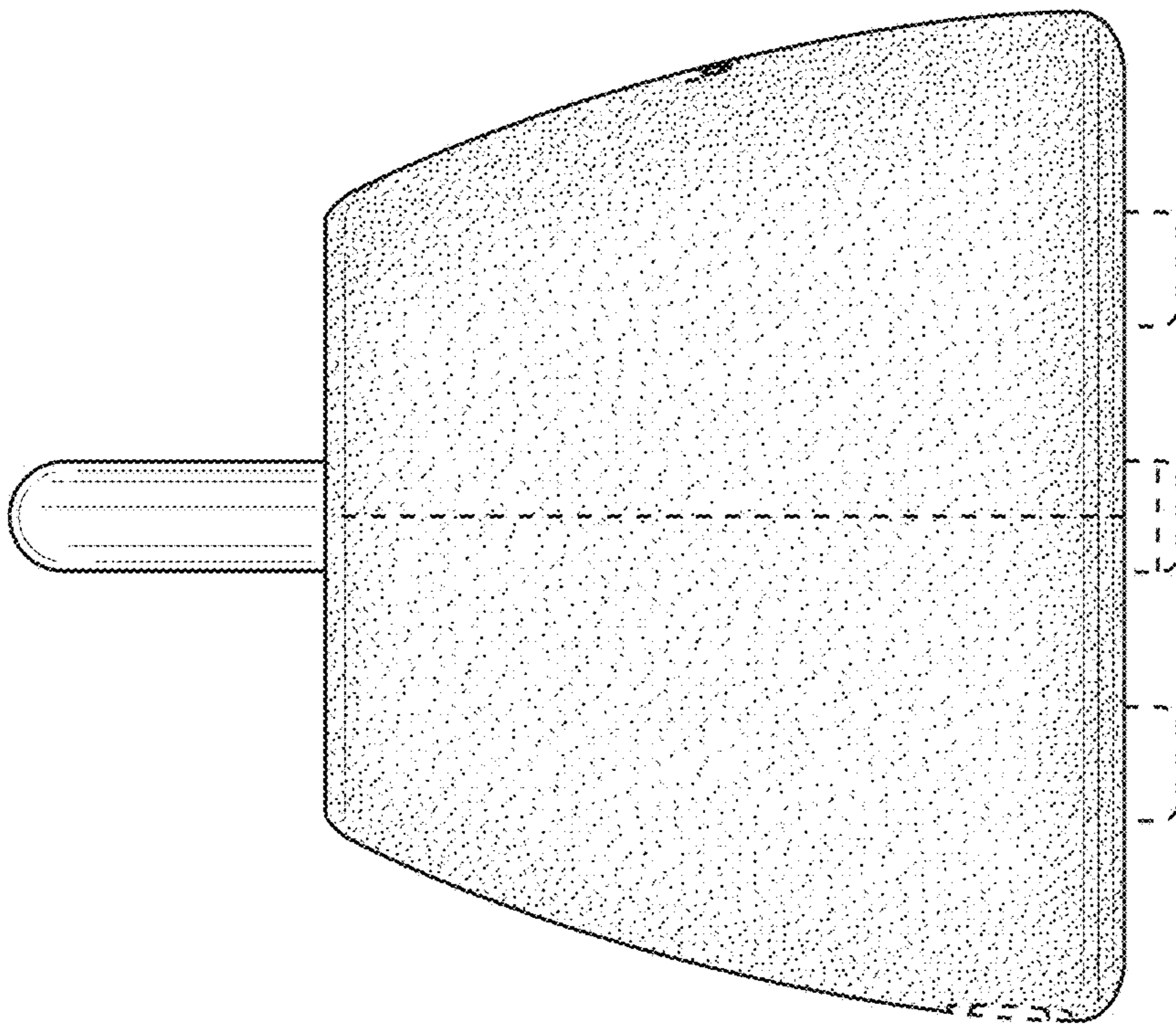


FIG. 4

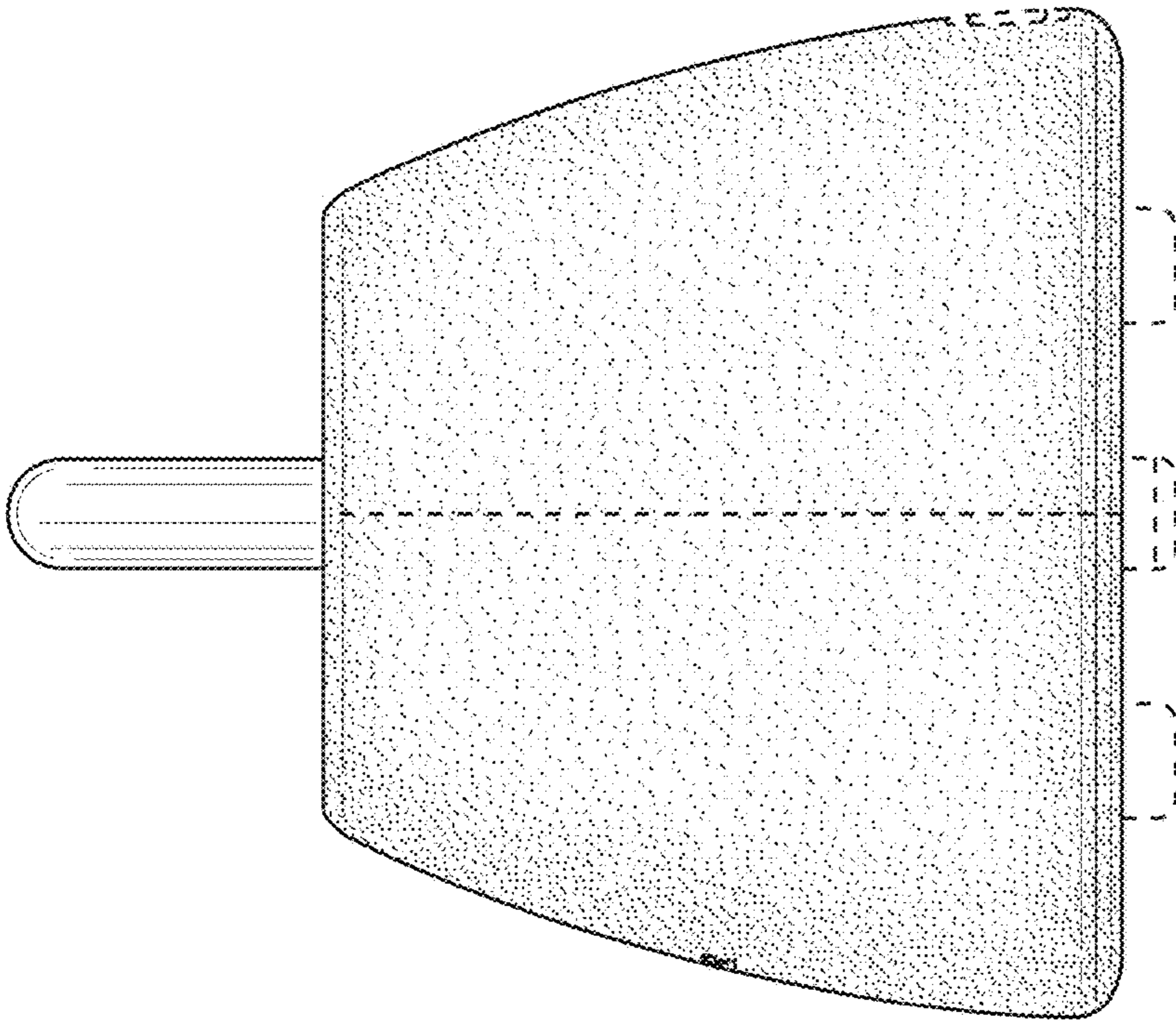


FIG. 5

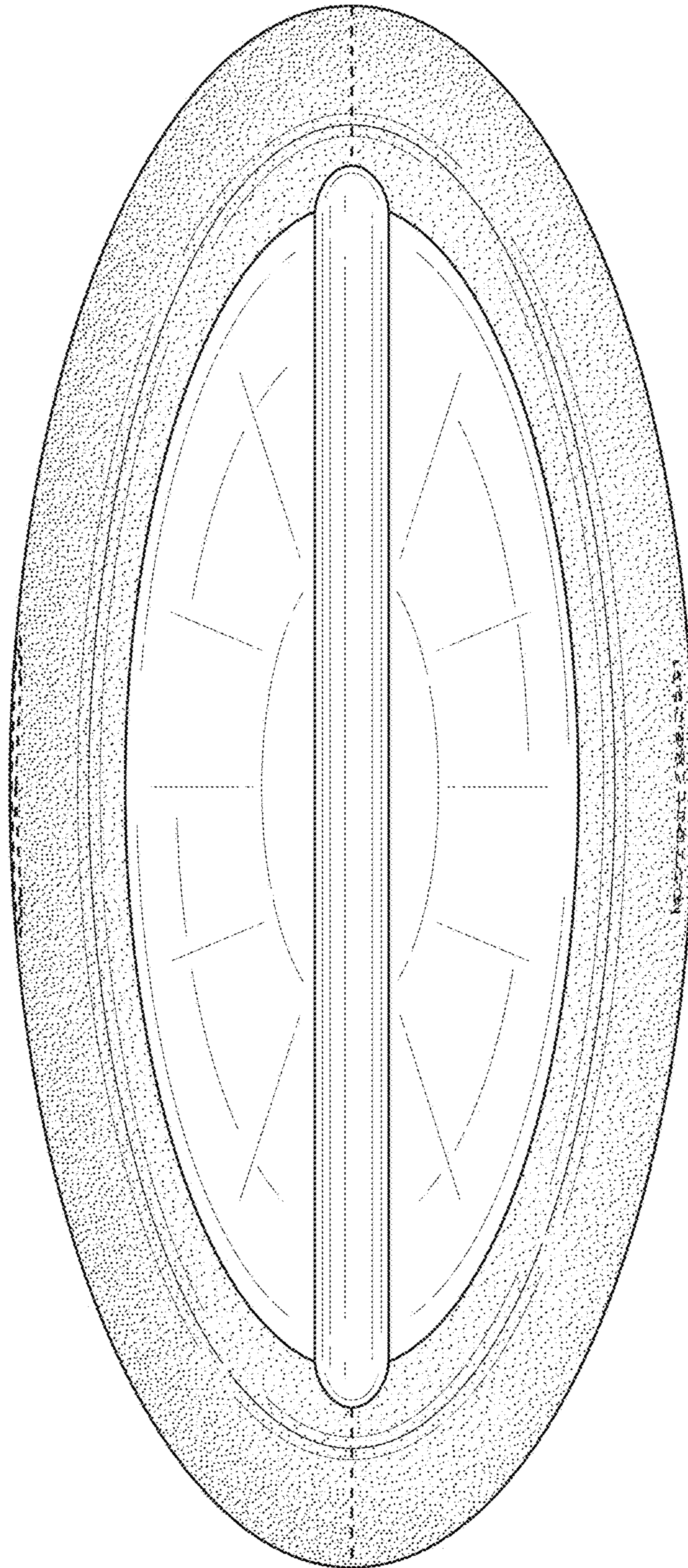


FIG. 6

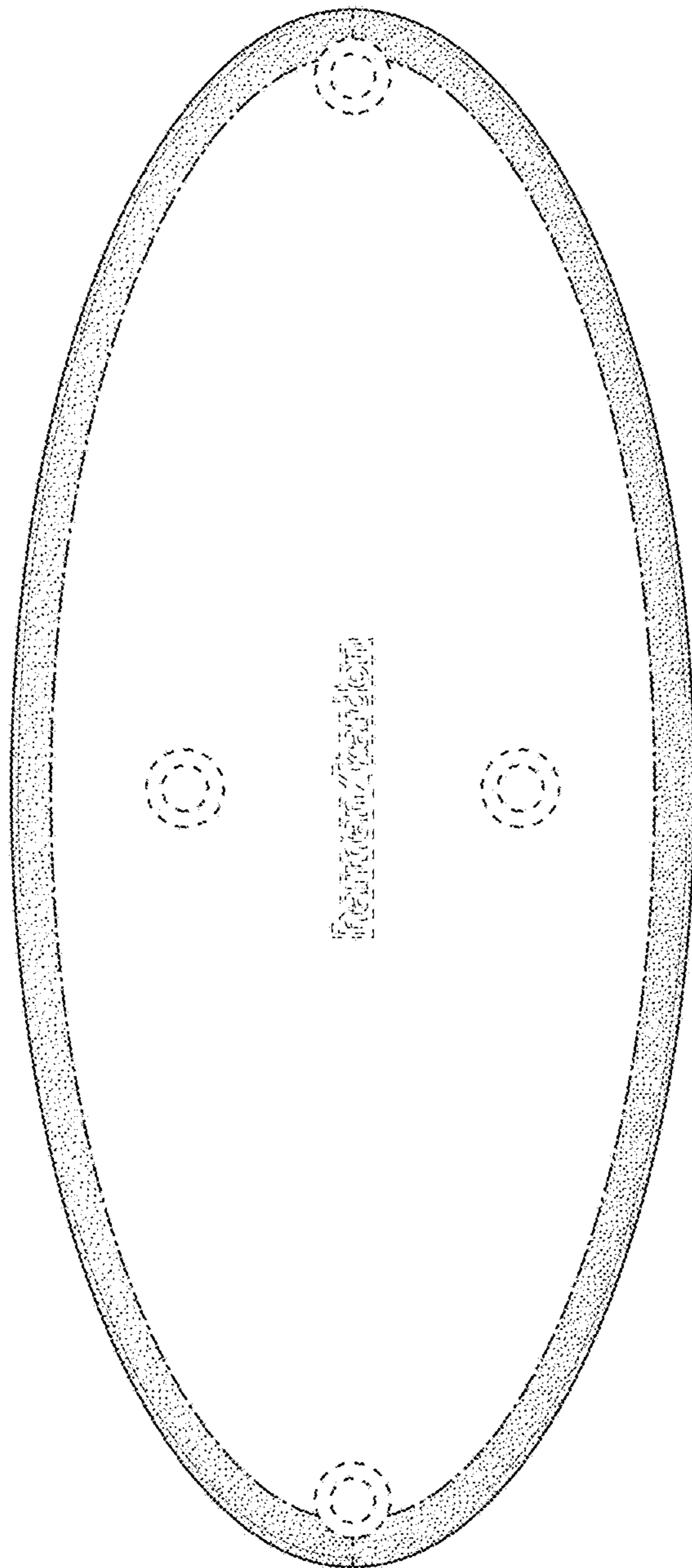


FIG. 7