



US00D806676S

(12) **United States Design Patent**
Fuglsang

(10) **Patent No.:** **US D806,676 S**
(45) **Date of Patent:** **** Jan. 2, 2018**

(54) **HEADSET FOR COMMUNICATION**

- (71) Applicant: **GN Netcom A/S**, Ballerup (DK)
- (72) Inventor: **Mads Heje Fuglsang**, Ballerup (DK)
- (73) Assignee: **GN Netcom A/S** (DK)
- (**) Term: **15 Years**
- (21) Appl. No.: **29/580,590**
- (22) Filed: **Oct. 11, 2016**

Related U.S. Application Data

- (62) Division of application No. 29/514,119, filed on Jan. 8, 2015, now Pat. No. Des. 769,221.

(30) **Foreign Application Priority Data**

- Jul. 8, 2014 (EM) 002498220-0001
- Jul. 8, 2014 (EM) 002498220-0002
- Jul. 8, 2014 (EM) 002498220-0003
- Jul. 8, 2014 (EM) 002498220-0004
- Jul. 8, 2014 (EM) 002498220-0005
- Jul. 8, 2014 (EM) 002498220-0006

- (51) **LOC (11) Cl.** **14-01**
- (52) **U.S. Cl.**
USPC **D14/206**

- (58) **Field of Classification Search**
USPC D14/206, 205, 188, 192, 372, 225, 226;
D29/112; 2/209; 181/129, 130, 135;
379/430, 431; 381/380, 381, 370, 374,
381/375, 74; 455/90.3, 575.1, 569.1;
345/7, 8
CPC H04R 1/1066; H04R 1/1016; H04R 5/033;
H04R 5/0335; H04R 1/10; H04R 25/00
See application file for complete search history.

(56) **References Cited**

U.S. PATENT DOCUMENTS

D246,519 S	11/1977	Kato	
D291,198 S	8/1987	Bellini	
D318,053 S	7/1991	Ludeke	
D337,116 S *	7/1993	Hattori	D14/206
D344,730 S *	3/1994	Gathey	D14/206
D345,163 S	3/1994	Yamatogi	
D346,802 S	5/1994	Sacherman	
5,369,857 A	12/1994	Sacherman	
5,406,037 A	4/1995	Nageno	
D365,559 S *	12/1995	Fathi	D14/142

(Continued)

Primary Examiner — Paula Allen Greene

(74) *Attorney, Agent, or Firm* — Altera Law Group, LLC

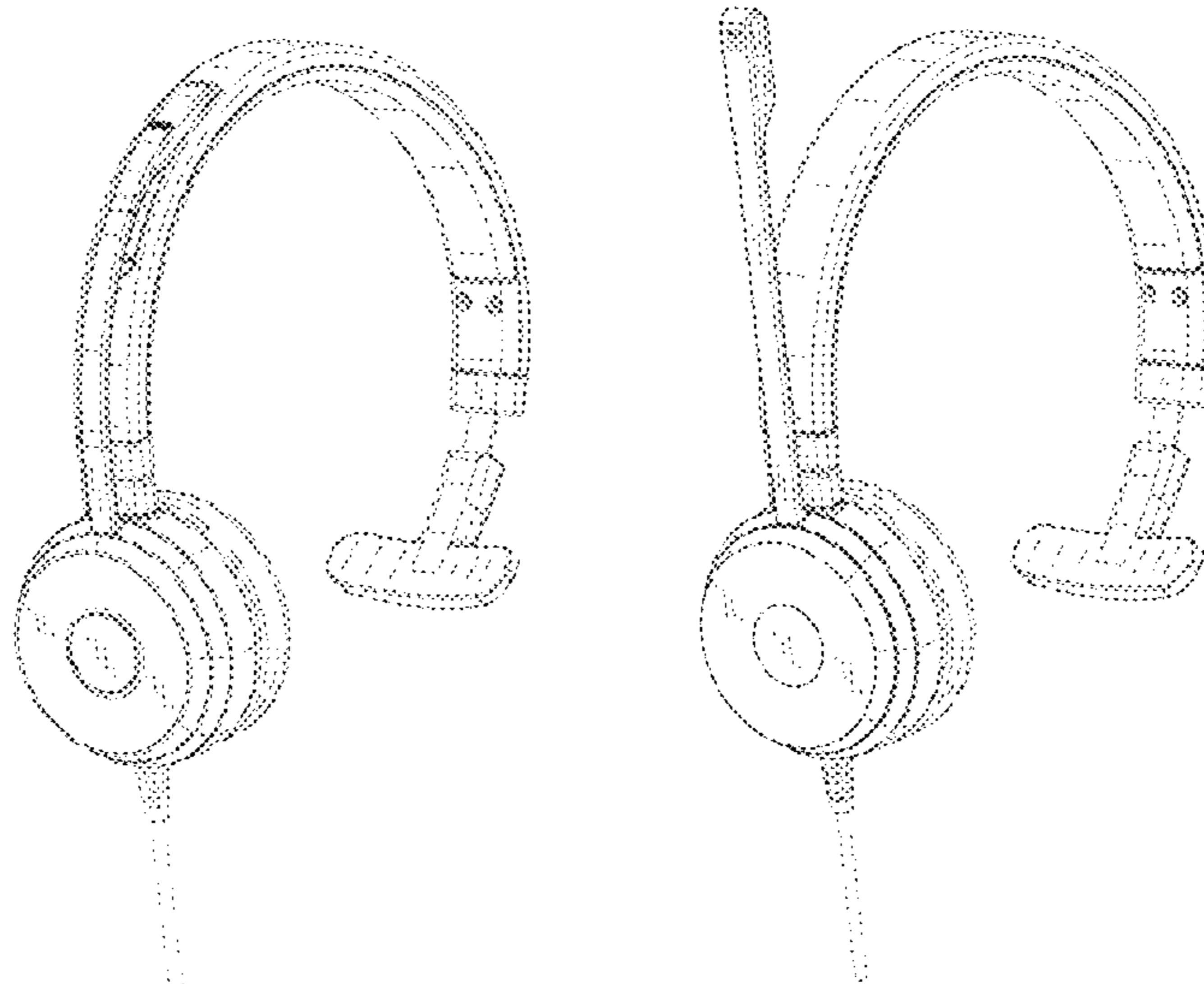
(57) **CLAIM**

The ornamental design for a headset for communication, as shown and described.

DESCRIPTION

FIG. 1 is a perspective view of the embodiment of the headset for communication.
 FIG. 2 is a front view thereof.
 FIG. 3 is a back view thereof.
 FIG. 4 is a left view thereof.
 FIG. 5 is a right view thereof.
 FIG. 6 is a top view thereof.
 FIG. 7 is a bottom view thereof.
 FIG. 8 is another perspective view of the embodiment of the headset for communication.
 FIG. 9 is a front view thereof.
 FIG. 10 is a back view thereof.
 FIG. 11 is a left view thereof.
 FIG. 12 is a right view thereof.
 FIG. 13 is a top view thereof; and,
 FIG. 14 is a bottom view thereof.
 The features shown in broken lines depict environmental subject matter only and form no part of the claimed design.

1 Claim, 14 Drawing Sheets



(56)

References Cited

U.S. PATENT DOCUMENTS

5,504,812 A * 4/1996 Vangarde H04M 1/05
379/430
D377,020 S * 12/1996 Bungardt D14/205
D394,437 S * 5/1998 Landreth D14/206
D410,466 S 6/1999 Mouri
D410,921 S * 6/1999 Luchs D14/142
D420,356 S 2/2000 Suzuki
6,154,539 A * 11/2000 Pitel H04M 1/05
379/430
D435,249 S 12/2000 Yasutomi
D436,348 S * 1/2001 McGugan D14/142
D443,870 S * 6/2001 Carpenter D14/206
D449,376 S * 10/2001 McDonald A61M 16/06
D14/206
6,622,029 B1 * 9/2003 Skulley H04M 1/05
379/430
D482,019 S * 11/2003 Petersen D14/206
D484,485 S 12/2003 Matsuoka
D488,146 S * 4/2004 Minto D14/206
D494,154 S 8/2004 Polito
D494,957 S * 8/2004 Rath D14/206
D498,470 S * 11/2004 Skulley D14/206
D504,414 S 4/2005 Yoshida
6,952,481 B2 * 10/2005 Larsen H04M 1/05
379/430
6,970,572 B2 * 11/2005 Murozaki H04M 1/05
381/374
D514,086 S * 1/2006 Skulley D14/206
D517,528 S * 3/2006 Skulley D14/206
D518,479 S * 4/2006 Skulley D14/225
D530,702 S * 10/2006 Pritchard D14/206
D531,165 S * 10/2006 Rath D14/206
D533,166 S * 12/2006 Marquez D14/225
D538,785 S * 3/2007 Skulley D14/206
7,190,330 B2 * 3/2007 Travers G02B 27/0176
345/7
D539,788 S * 4/2007 Thompson D14/225
D539,789 S * 4/2007 Rausch D14/225
D540,303 S 4/2007 Rausch
D540,778 S * 4/2007 Thompson D14/206
D541,256 S 4/2007 Rausch
D542,774 S * 5/2007 Rausch D14/206
7,245,737 B2 * 7/2007 Amae H04R 1/1066
381/374
D549,688 S 8/2007 Suzuki

D563,382 S 3/2008 Wikel
D567,215 S 4/2008 Lee
7,356,362 B2 4/2008 Chang
7,388,960 B2 6/2008 Kuo
D582,890 S 12/2008 Koza
D587,684 S * 3/2009 Ham D14/205
D588,098 S 3/2009 Kurihara
7,519,196 B2 * 4/2009 Bech H04R 1/105
381/370
D592,640 S 5/2009 Tkachuk
D593,995 S 6/2009 Shimizu
D601,543 S * 10/2009 Bentley D14/206
D602,001 S * 10/2009 Bentley D14/206
D603,370 S 11/2009 Susuki
D604,266 S 11/2009 Milde
D606,048 S * 12/2009 Soetejo D14/223
D617,769 S 6/2010 Birger
D628,189 S * 11/2010 Rath D14/206
D635,962 S * 4/2011 Kelley D14/206
D638,000 S * 5/2011 Hoggarth D14/206
D639,776 S 6/2011 Arimoto
D641,337 S * 7/2011 Brandis D14/206
D643,405 S * 8/2011 Rath D14/206
D644,625 S * 9/2011 Iseki D14/206
D654,471 S * 2/2012 Fischer D14/206
D654,472 S 2/2012 Fischer
D668,240 S * 10/2012 Brandis D14/206
D673,524 S * 1/2013 Brennwald D14/206
D691,110 S * 10/2013 Ham D14/205
D692,410 S 10/2013 Brunner
D707,655 S * 6/2014 Porter H04M 1/00
D14/206
D709,860 S 7/2014 Brunner
D716,258 S * 10/2014 Awiszus D14/206
D716,259 S * 10/2014 Awiszus D14/206
D715,762 S 11/2014 Greve
D725,074 S 3/2015 Boeckel
D728,512 S 5/2015 Nakagawa
D732,002 S * 6/2015 Goransson D14/206
D760,690 S * 7/2016 Gecawicz D14/206
2011/0135134 A1 * 6/2011 Essabar H04R 1/1025
381/374
2011/0206216 A1 8/2011 Brunner
2011/0306393 A1 * 12/2011 Goldman H04M 1/6066
455/575.2
2012/0163616 A1 * 6/2012 Birch H04M 1/6058
381/74

* cited by examiner

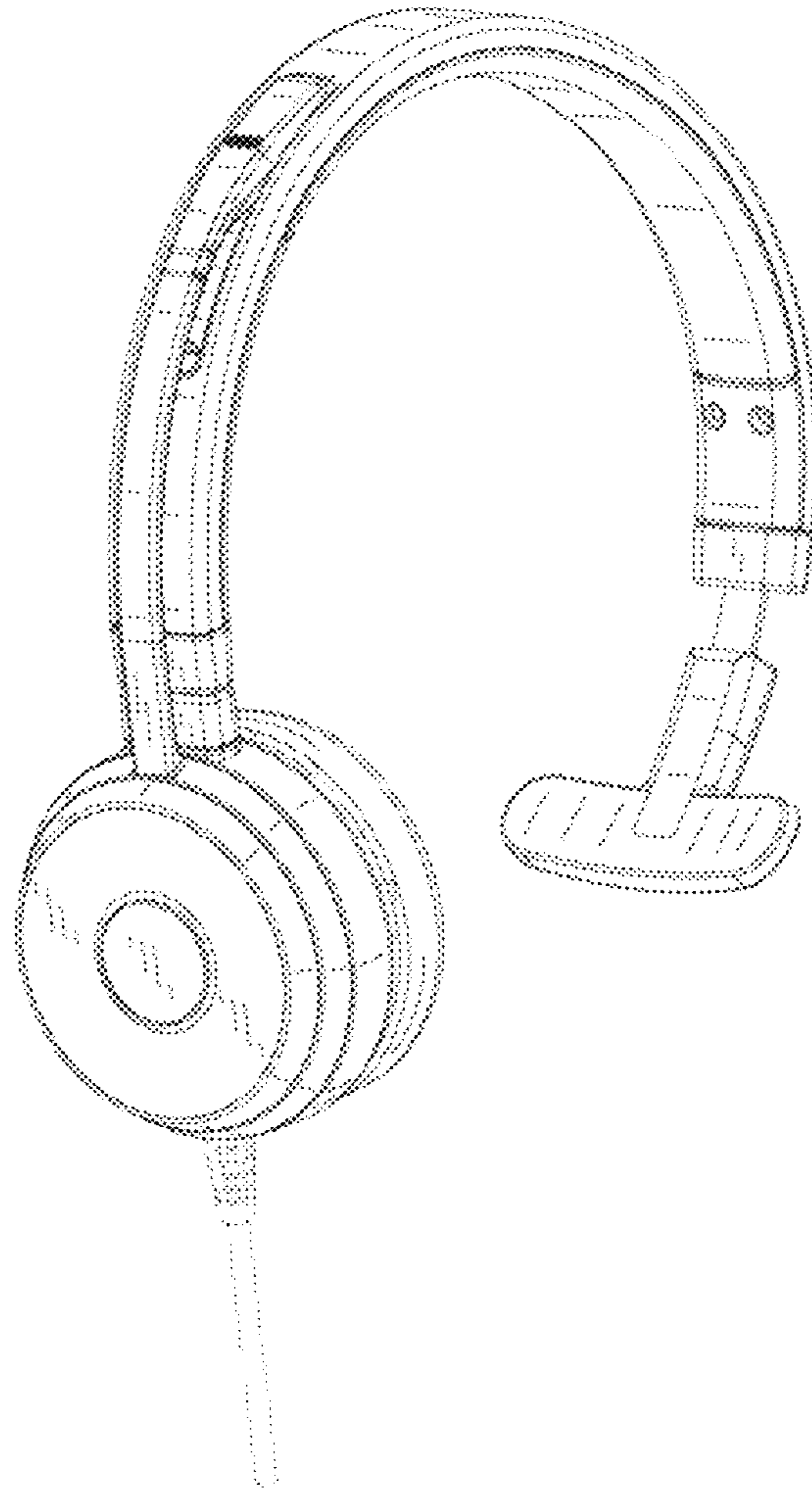


FIG. 1

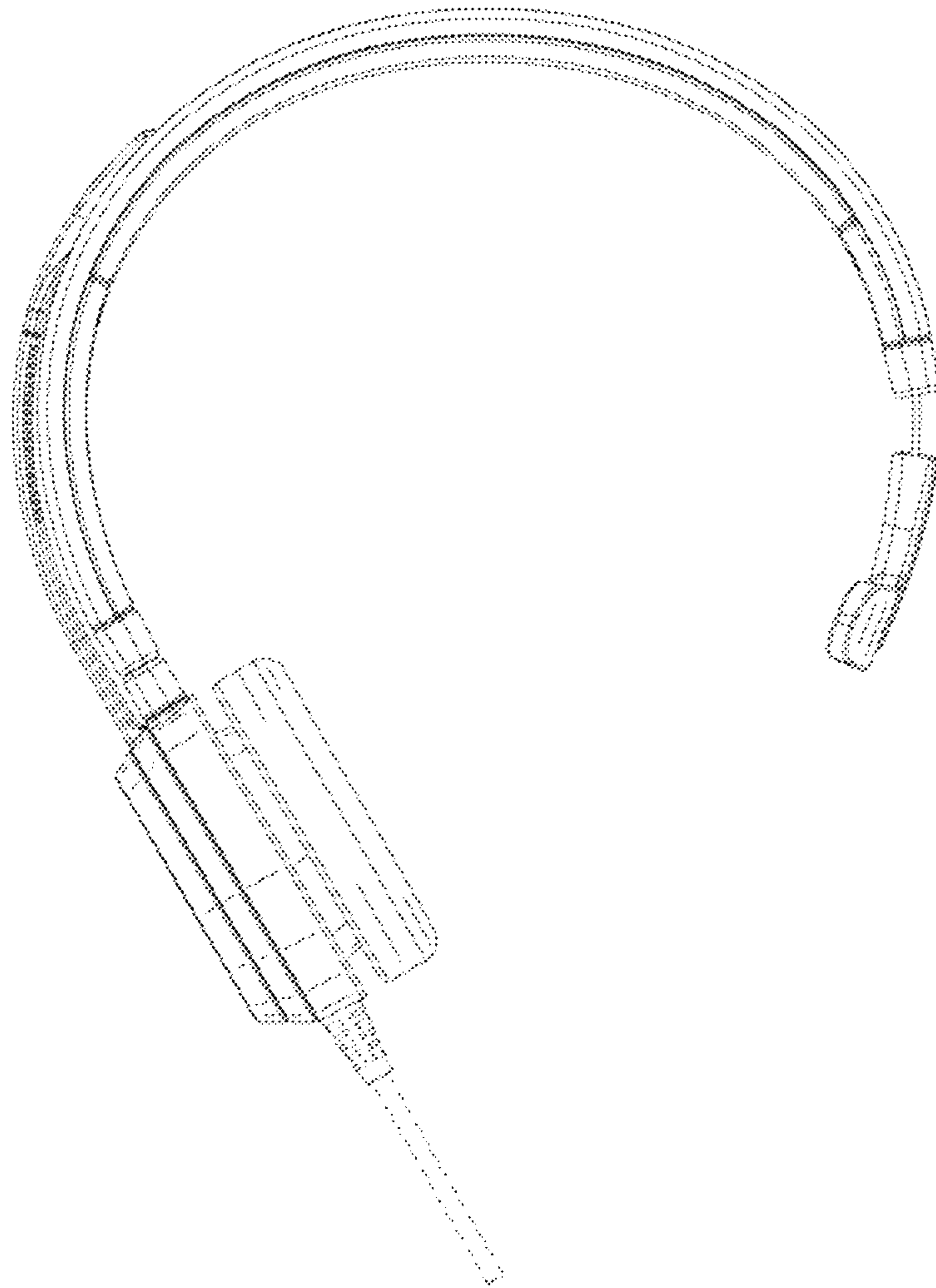


FIG. 2

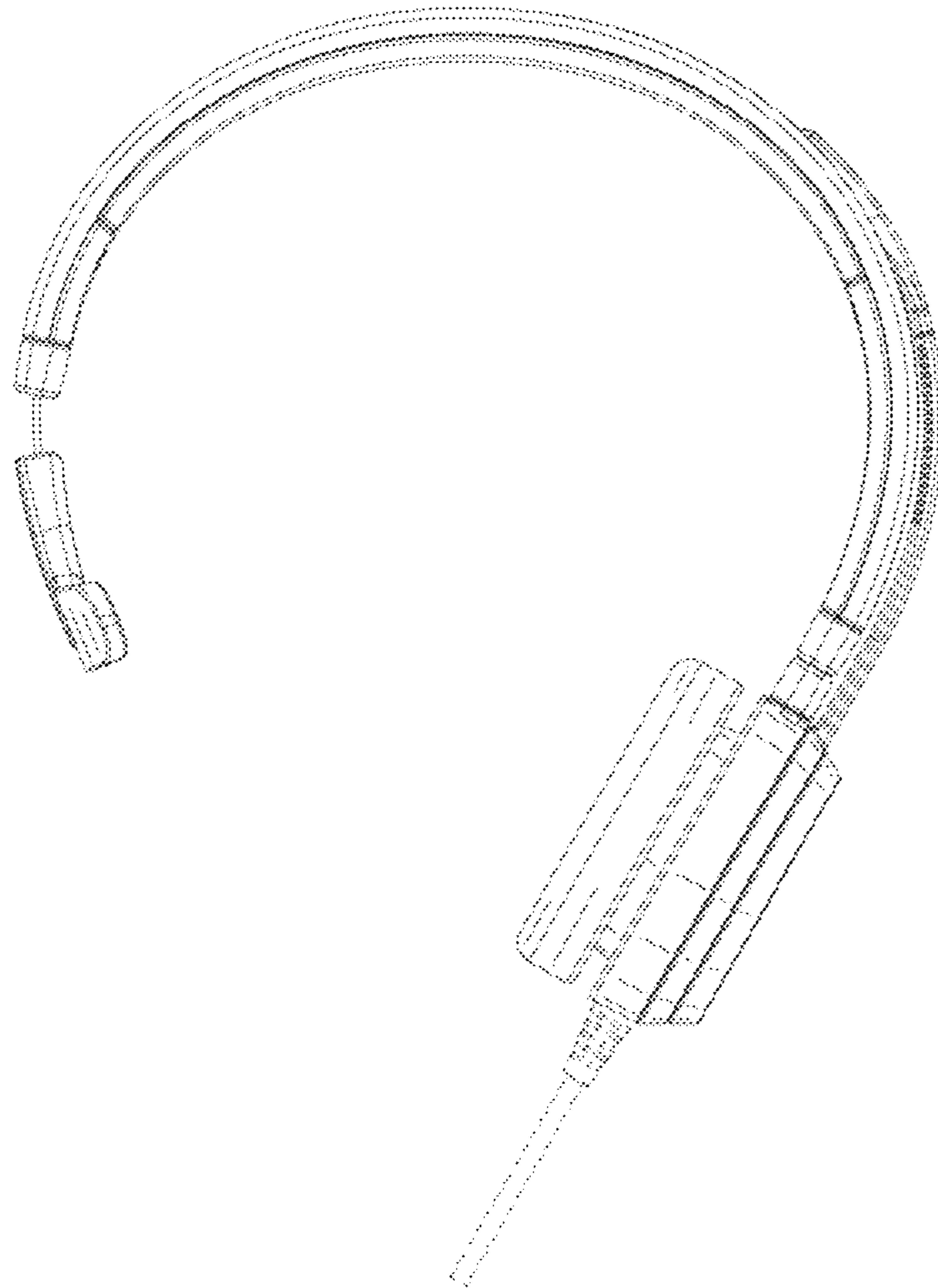


FIG. 3

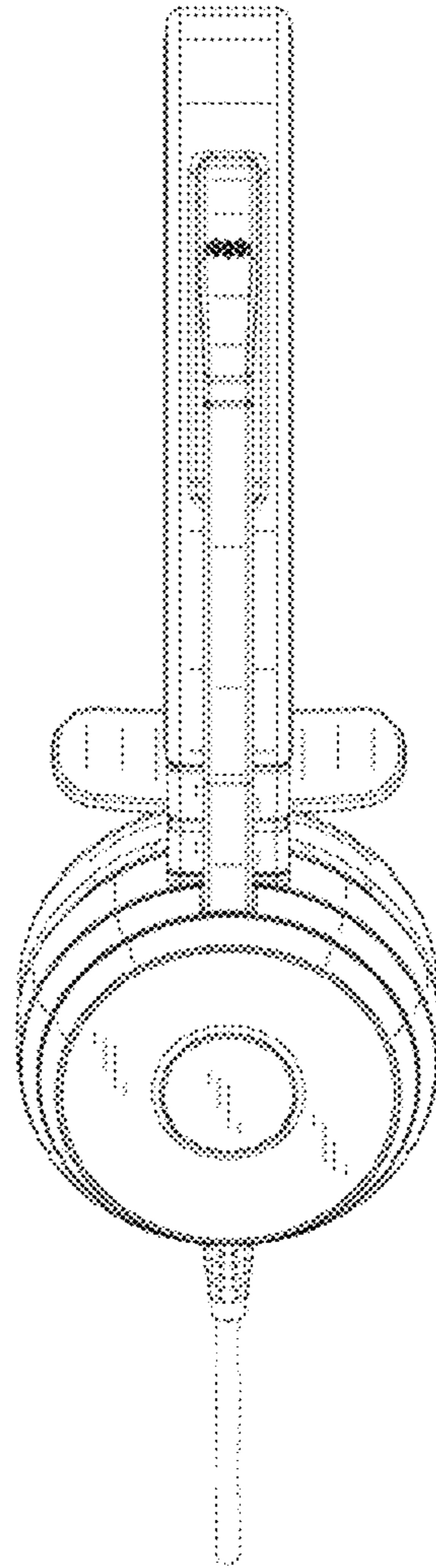


FIG. 4

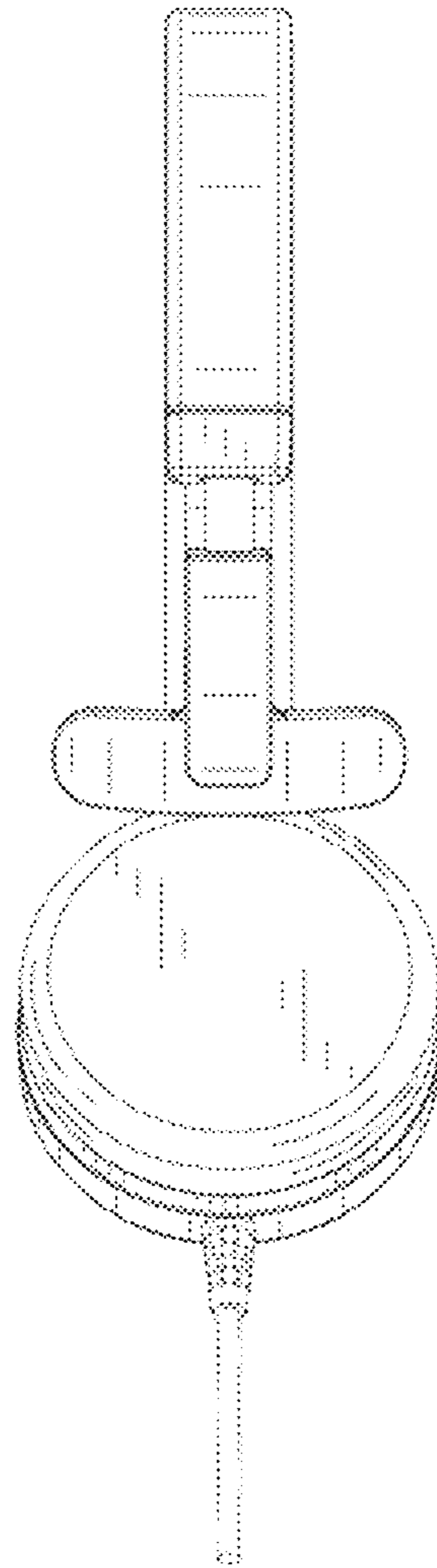


FIG. 5

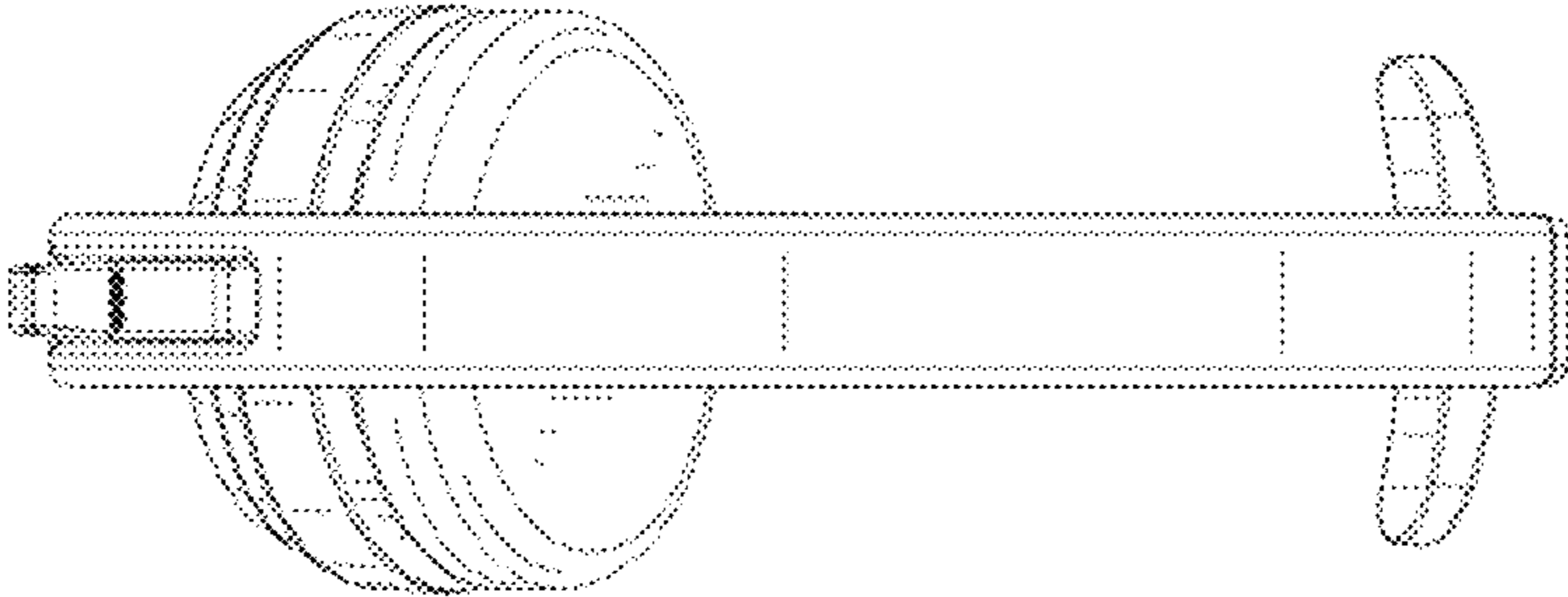


FIG. 6

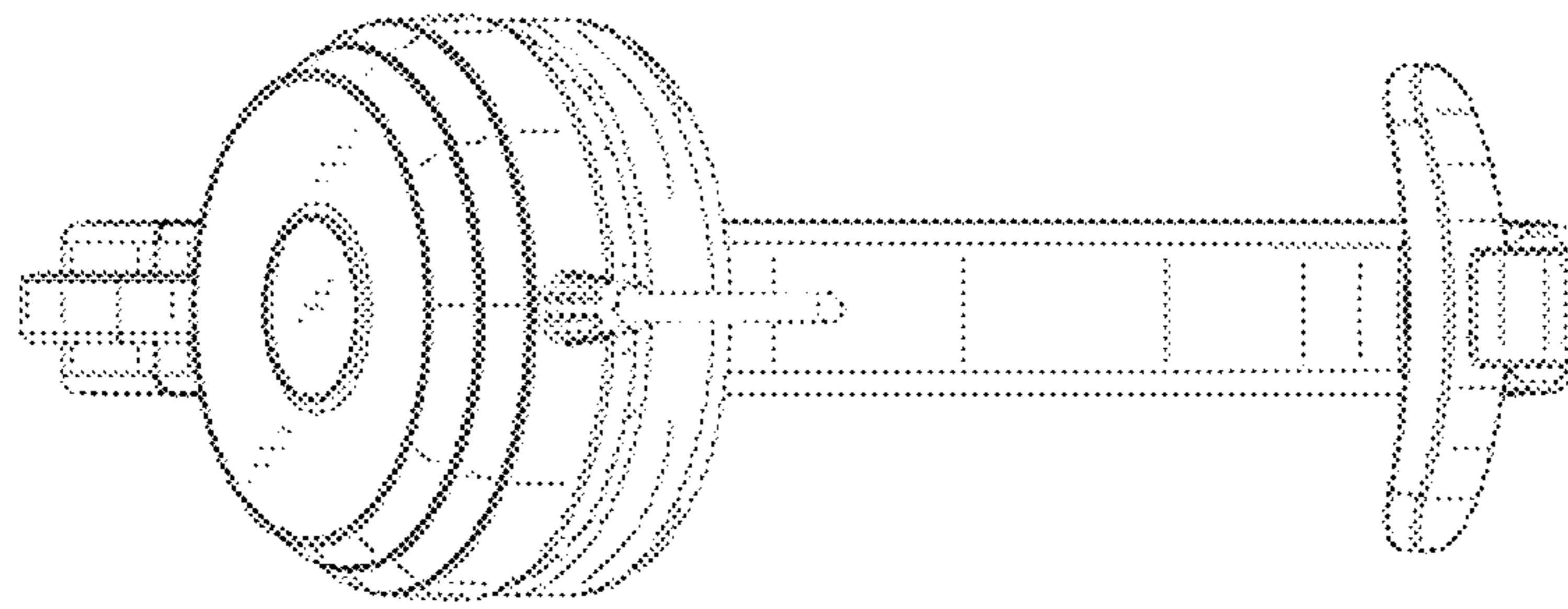


FIG. 7

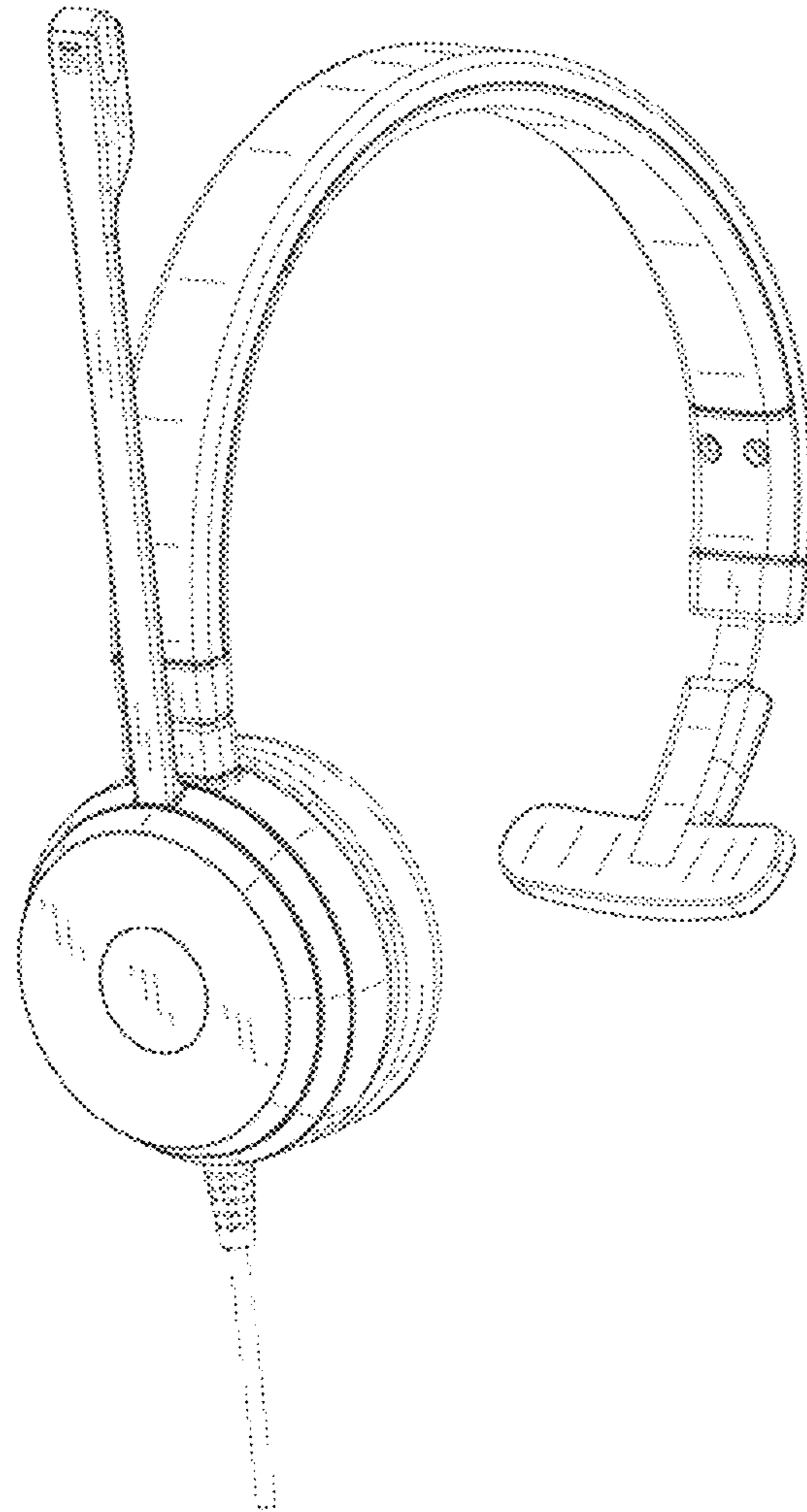


FIG. 8

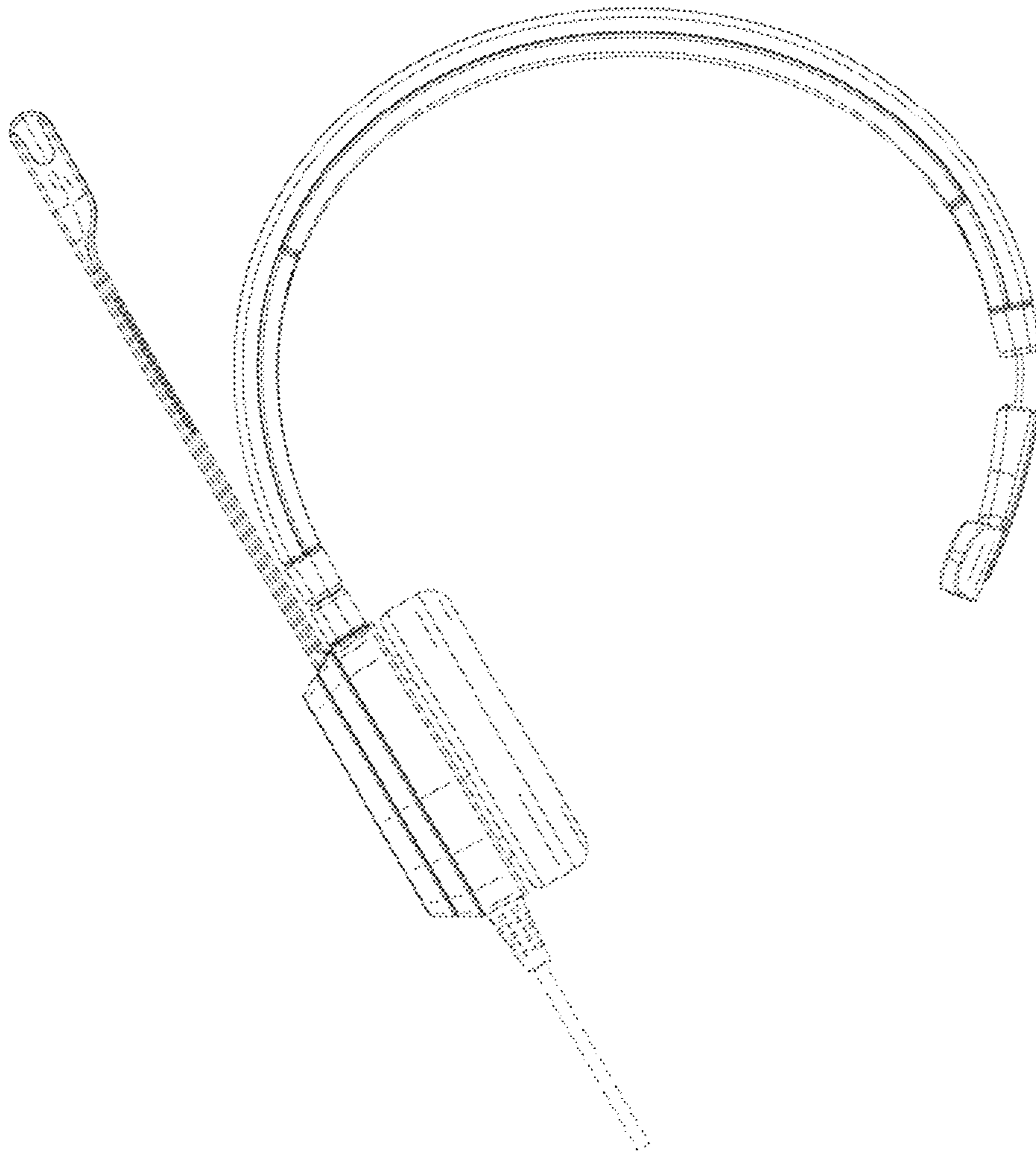


FIG. 9

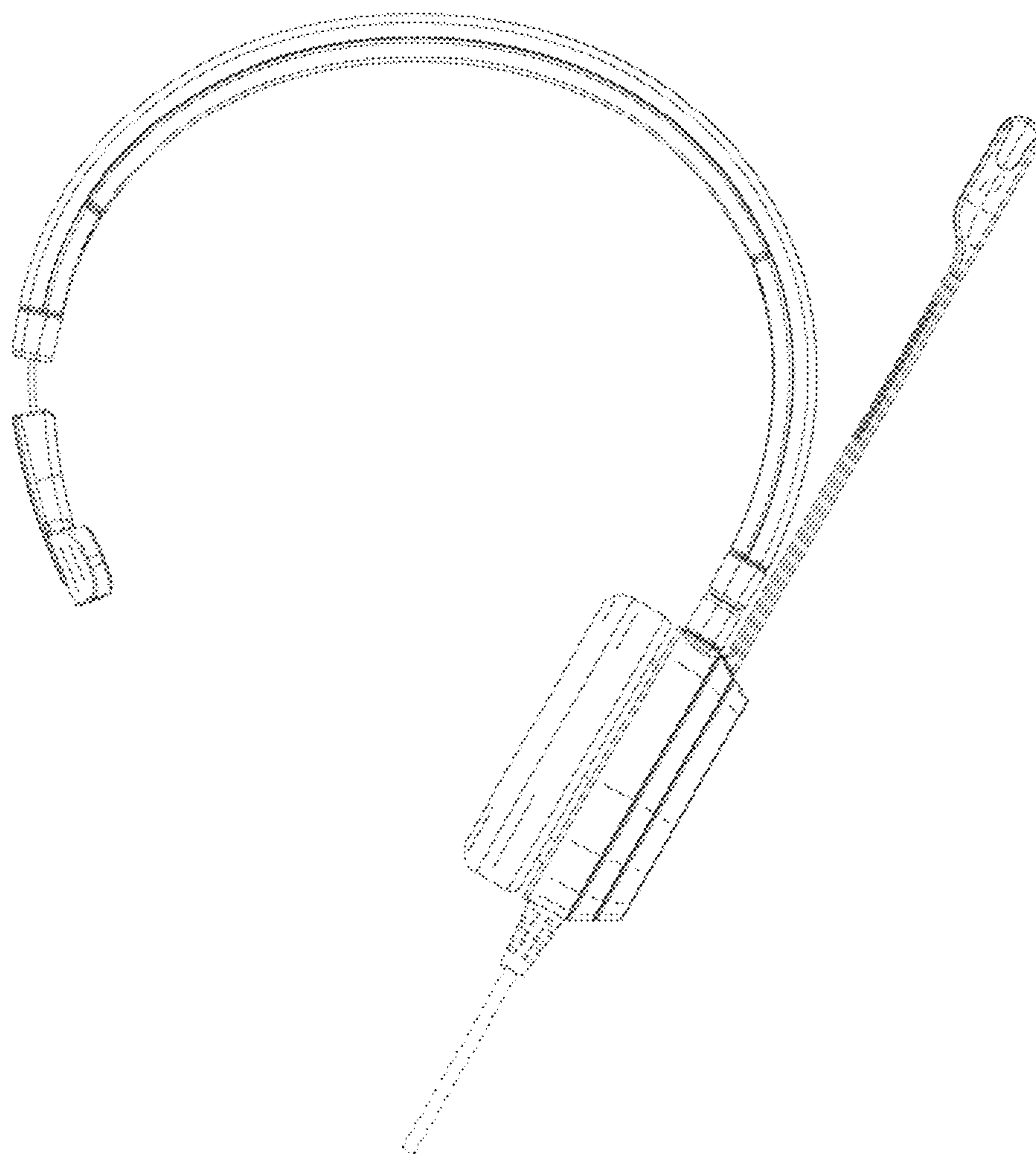


FIG. 10

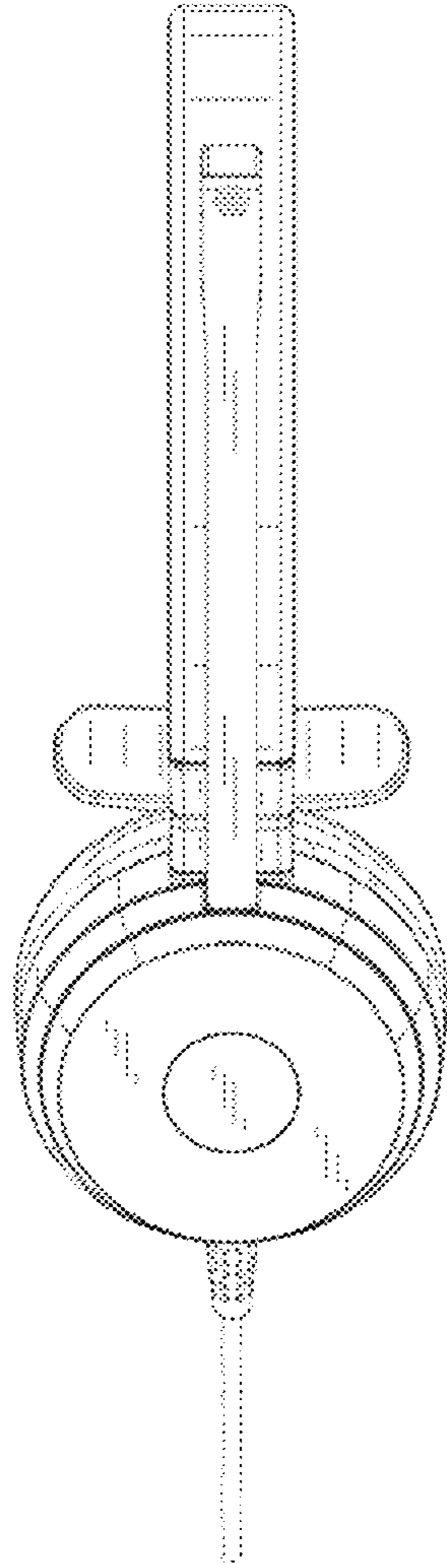


FIG. 11

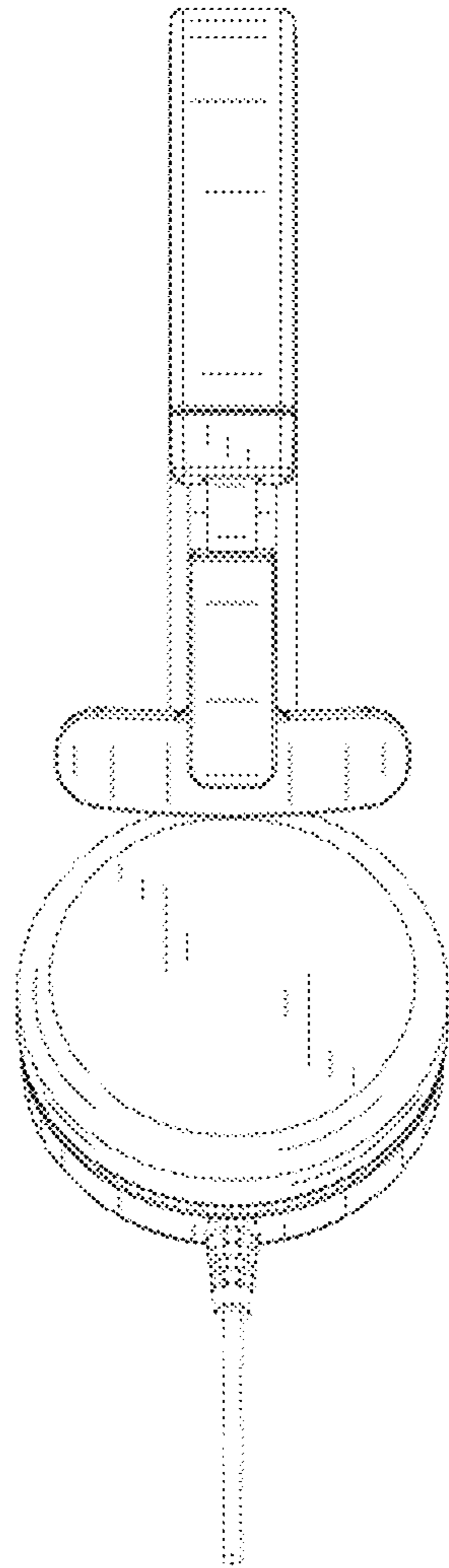


FIG. 12

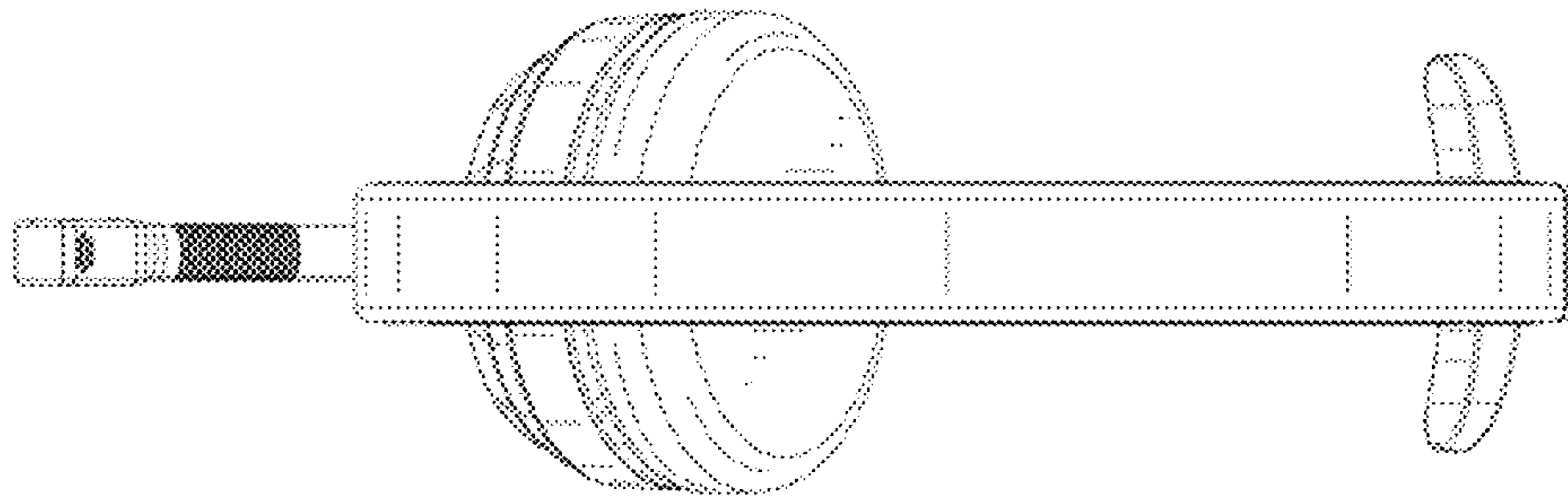


FIG. 13

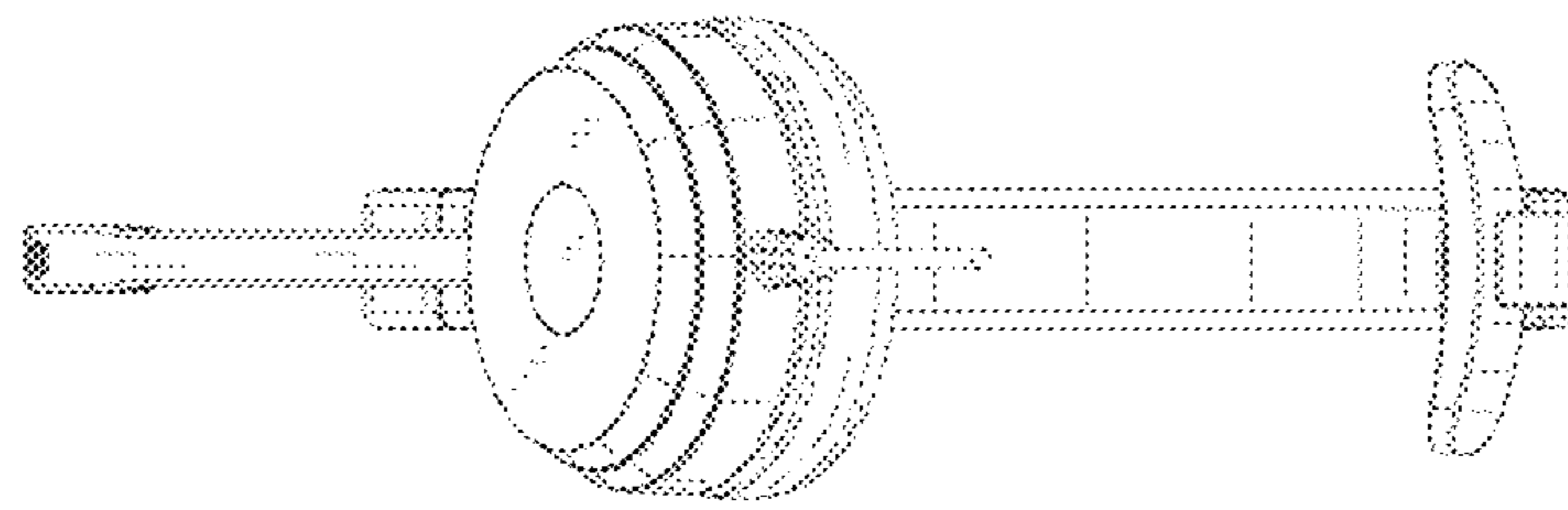


FIG. 14