



US00D806675S

(12) **United States Design Patent**  
**Fuglsang**

(10) **Patent No.:** **US D806,675 S**  
(45) **Date of Patent:** **\*\* Jan. 2, 2018**

(54) **HEADSET FOR COMMUNICATION**

4,689,822 A \* 8/1987 Houng ..... H04R 1/1066  
381/371

(71) Applicant: **GN Netcom A/S**, Ballerup (DK)

D318,053 S 7/1991 Ludeke

D337,116 S 7/1993 Hattori

(72) Inventor: **Mads Heje Fuglsang**, Ballerup (DK)

D345,163 S 3/1994 Yamatogi

D346,802 S 5/1994 Sacherman

(73) Assignee: **GN Netcom A/S** (DK)

5,369,857 A \* 12/1994 Sacherman ..... H04R 5/0335  
29/594

(\*\*) Term: **15 Years**

5,406,037 A 4/1995 Nageno

D410,466 S 6/1999 Mouri

(Continued)

(21) Appl. No.: **29/580,556**

*Primary Examiner* — Paula Allen Greene

(22) Filed: **Oct. 11, 2016**

(74) *Attorney, Agent, or Firm* — Altera Law Group, LLC

**Related U.S. Application Data**

(62) Division of application No. 29/514,119, filed on Jan. 8, 2015, now Pat. No. Des. 769,221.

(57) **CLAIM**

The ornamental design for a headset for communication, as shown and described.

(30) **Foreign Application Priority Data**

Jul. 8, 2014 (EM) ..... 002498220-0001  
Jul. 8, 2014 (EM) ..... 002498220-0002  
Jul. 8, 2014 (EM) ..... 002498220-0003  
Jul. 8, 2014 (EM) ..... 002498220-0004  
Jul. 8, 2014 (EM) ..... 002498220-0005  
Jul. 8, 2014 (EM) ..... 002498220-0006

**DESCRIPTION**

FIG. 1 is a perspective view of the embodiment of the headset for communication.

FIG. 2 is a front view thereof.

FIG. 3 is a back view thereof.

FIG. 4 is a left view thereof.

FIG. 5 is a right view thereof.

FIG. 6 is a top view thereof.

FIG. 7 is a bottom view thereof.

FIG. 8 is another perspective view of the embodiment of the headset for communication.

FIG. 9 is a front view thereof.

FIG. 10 is a back view thereof.

FIG. 11 is a left view thereof.

FIG. 12 is a right view thereof.

FIG. 13 is a top view thereof; and,

FIG. 14 is a bottom view thereof.

The features shown in broken lines depict environmental subject matter only and form no part of the claimed design.

(51) **LOC (11) Cl.** ..... **14-01**

(52) **U.S. Cl.**

USPC ..... **D14/206**

(58) **Field of Classification Search**

USPC ..... D14/206, 205, 188, 192, 372; D29/112;  
2/209; 181/129, 130, 135; 379/430, 431;  
381/74, 380, 381, 374, 370, 375;  
455/90.3, 575.1, 569.1

CPC .... H04R 1/1066; H04R 1/1016; H04R 25/00;  
H04R 1/10; H04R 5/0335; H04R 5/033

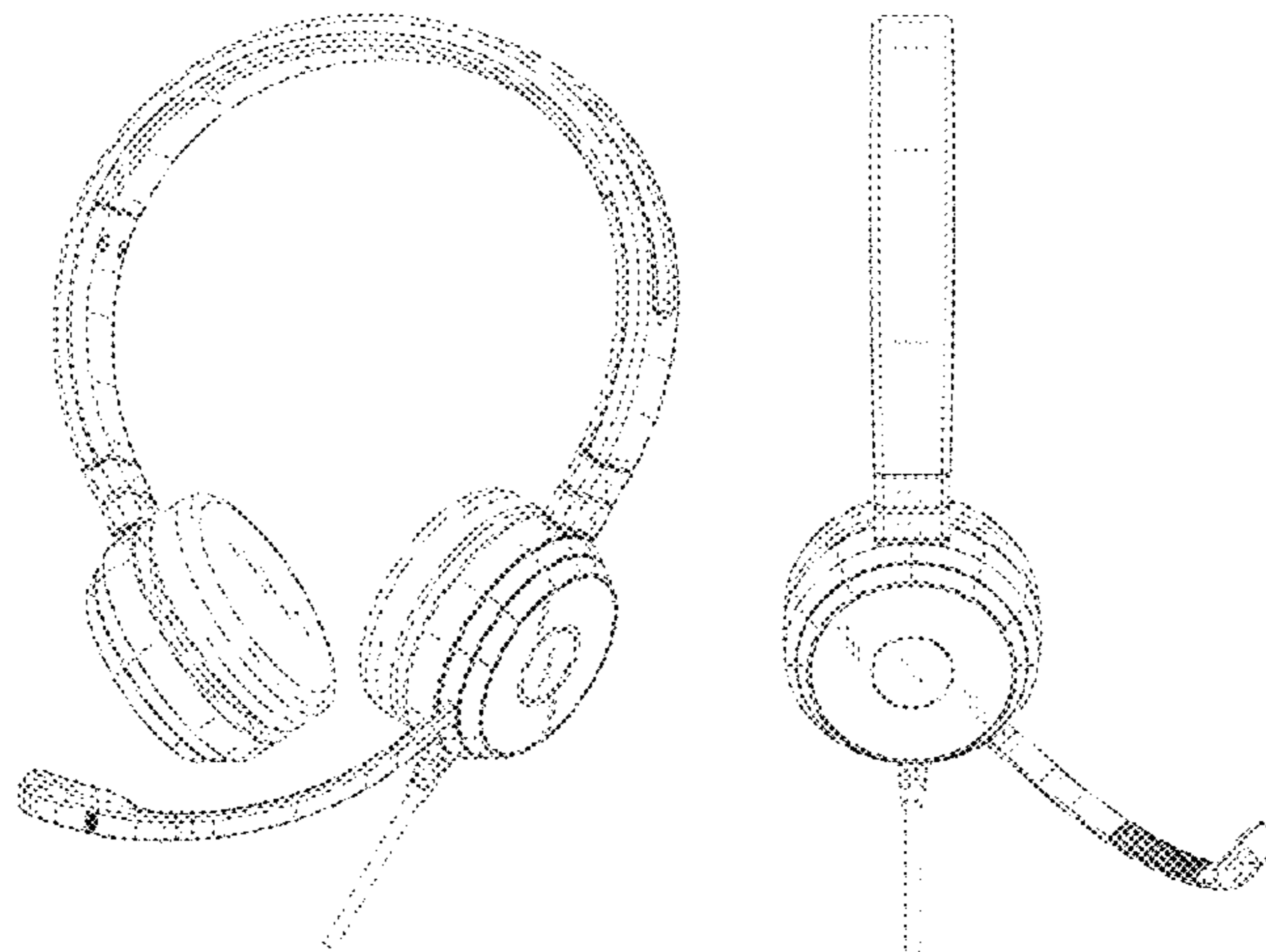
See application file for complete search history.

(56) **References Cited**

**U.S. PATENT DOCUMENTS**

D246,519 S 11/1977 Kato  
D291,198 S 8/1987 Bellini

**1 Claim, 14 Drawing Sheets**



(56)

References Cited

U.S. PATENT DOCUMENTS

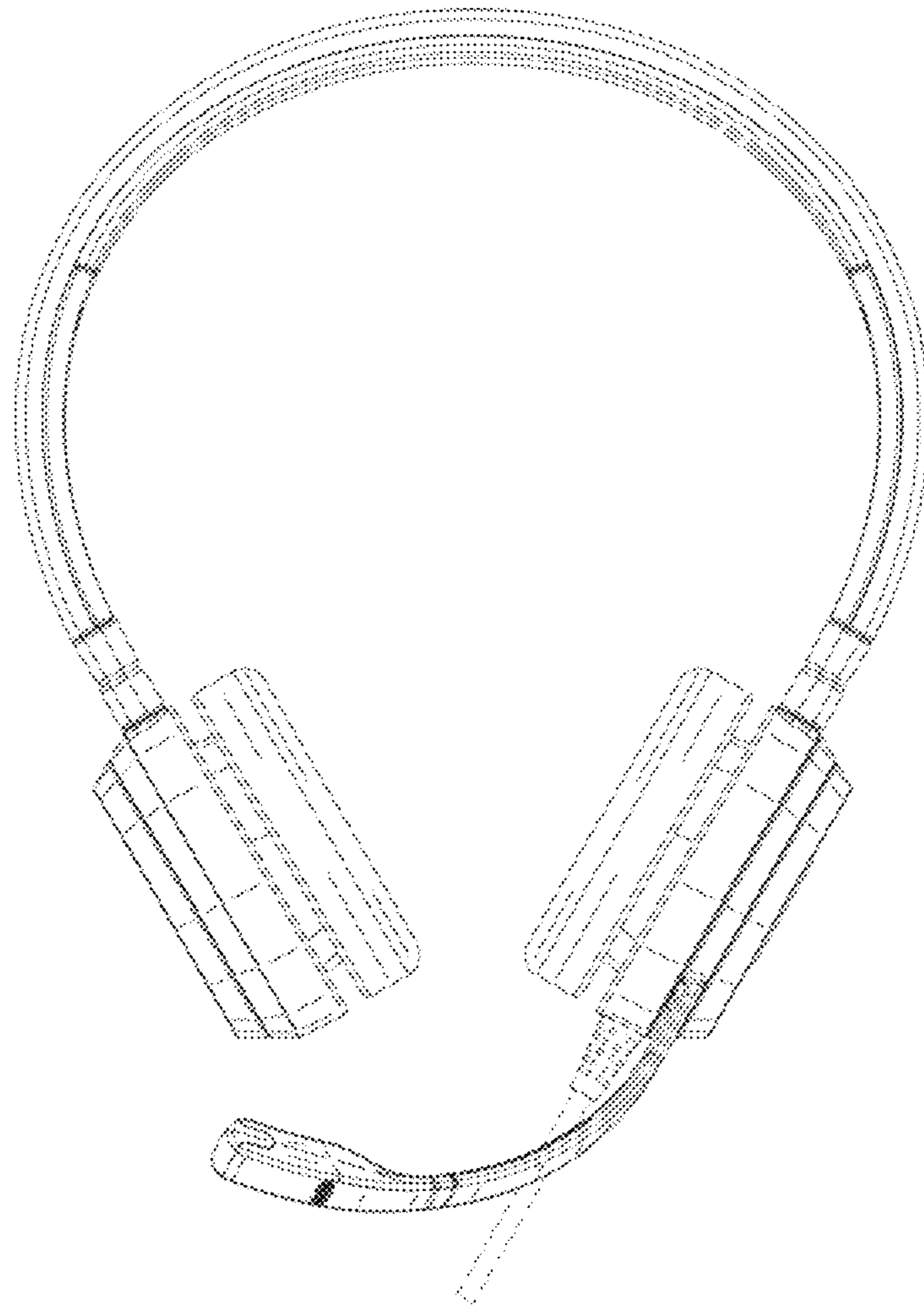
D420,356 S 2/2000 Suzuki  
 D435,249 S 12/2000 Yasutomi  
 D482,019 S 11/2003 Petersen  
 D484,485 S 12/2003 Matsuoka  
 D488,146 S 4/2004 Minto  
 D494,154 S 8/2004 Polito  
 D504,414 S 4/2005 Yoshida  
 D514,086 S 1/2006 Skulley  
 D518,479 S \* 4/2006 Skulley ..... D14/225  
 D530,307 S \* 10/2006 Rath ..... D14/206  
 D530,702 S 10/2006 Pritchard  
 D531,165 S 10/2006 Rath  
 D539,788 S \* 4/2007 Thompson ..... D14/225  
 D540,303 S \* 4/2007 Rausch ..... D14/205  
 D540,777 S \* 4/2007 Rausch ..... D14/205  
 D541,256 S \* 4/2007 Rausch ..... D14/205  
 D542,774 S \* 5/2007 Rausch ..... D14/206  
 D549,688 S 8/2007 Suzuki  
 D563,382 S 3/2008 Wikel  
 D567,215 S 4/2008 Lee  
 7,356,362 B2 4/2008 Chang  
 7,388,960 B2 6/2008 Kuo  
 D582,890 S 12/2008 Koza  
 D588,098 S 3/2009 Kurihara  
 D592,640 S 5/2009 Tkachuk  
 D593,995 S 6/2009 Shimizu  
 D602,001 S \* 10/2009 Bentley ..... D14/206  
 D603,370 S 11/2009 Susuki  
 D604,266 S 11/2009 Milde  
 D617,769 S 6/2010 Birger

D632,668 S \* 2/2011 Brunner ..... D14/205  
 D635,962 S \* 4/2011 Kelley ..... D14/206  
 D639,776 S 6/2011 Arimoto  
 D644,625 S \* 9/2011 Iseki ..... D14/206  
 D645,023 S \* 9/2011 Brandis ..... D14/206  
 D654,472 S \* 2/2012 Fischer ..... D14/206  
 D657,776 S \* 4/2012 Lee ..... D14/205  
 D666,168 S \* 8/2012 Rath ..... D14/206  
 D673,520 S \* 1/2013 Tan ..... D14/205  
 D677,647 S \* 3/2013 Lee ..... D14/205  
 D691,112 S \* 10/2013 Brunner ..... D14/206  
 D692,410 S 10/2013 Brunner  
 D698,749 S \* 2/2014 Brunner ..... D14/206  
 D707,655 S \* 6/2014 Porter ..... H04M 1/00  
 D709,860 S 7/2014 Brunner  
 D711,348 S \* 8/2014 Yang ..... D14/205  
 D716,258 S 10/2014 Awiszus  
 D716,259 S 10/2014 Awiszus  
 D715,762 S 11/2014 Greve  
 D716,760 S \* 11/2014 Brunner ..... D14/206  
 D725,074 S 3/2015 Boeckel  
 D728,512 S 5/2015 Nakagawa  
 D732,503 S \* 6/2015 Brunner ..... H04S 1/005  
 D764,435 S \* 8/2016 Brunner ..... D14/205  
 D775,104 S \* 12/2016 Lee ..... D14/205  
 D778,874 S \* 2/2017 Lin ..... D14/205  
 D782,999 S \* 4/2017 Spio ..... D14/206  
 2011/0206216 A1 8/2011 Brunner  
 2012/0328119 A1 \* 12/2012 Heise ..... H04R 1/1066  
 381/74

\* cited by examiner



FIG. 1



**FIG. 2**



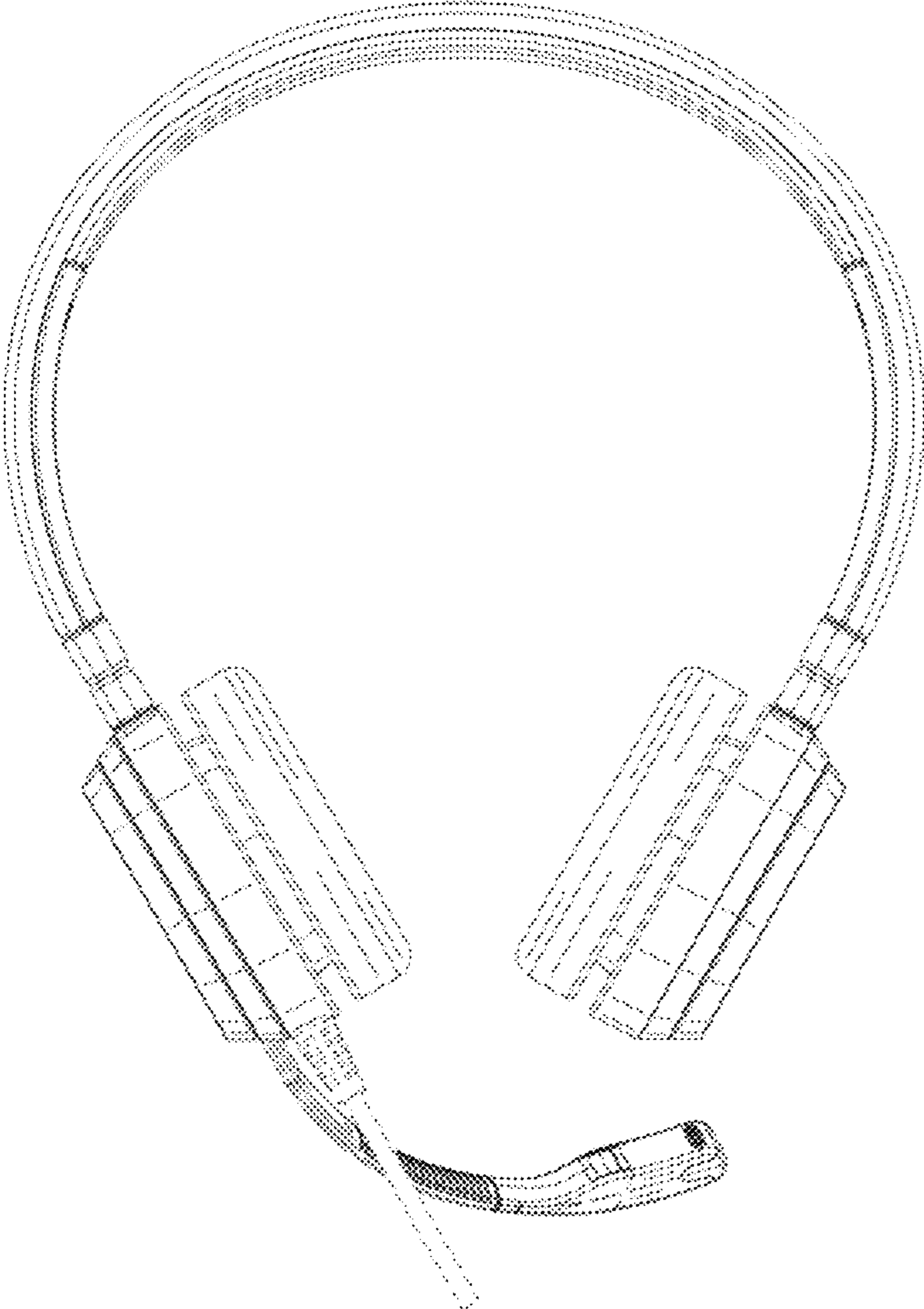
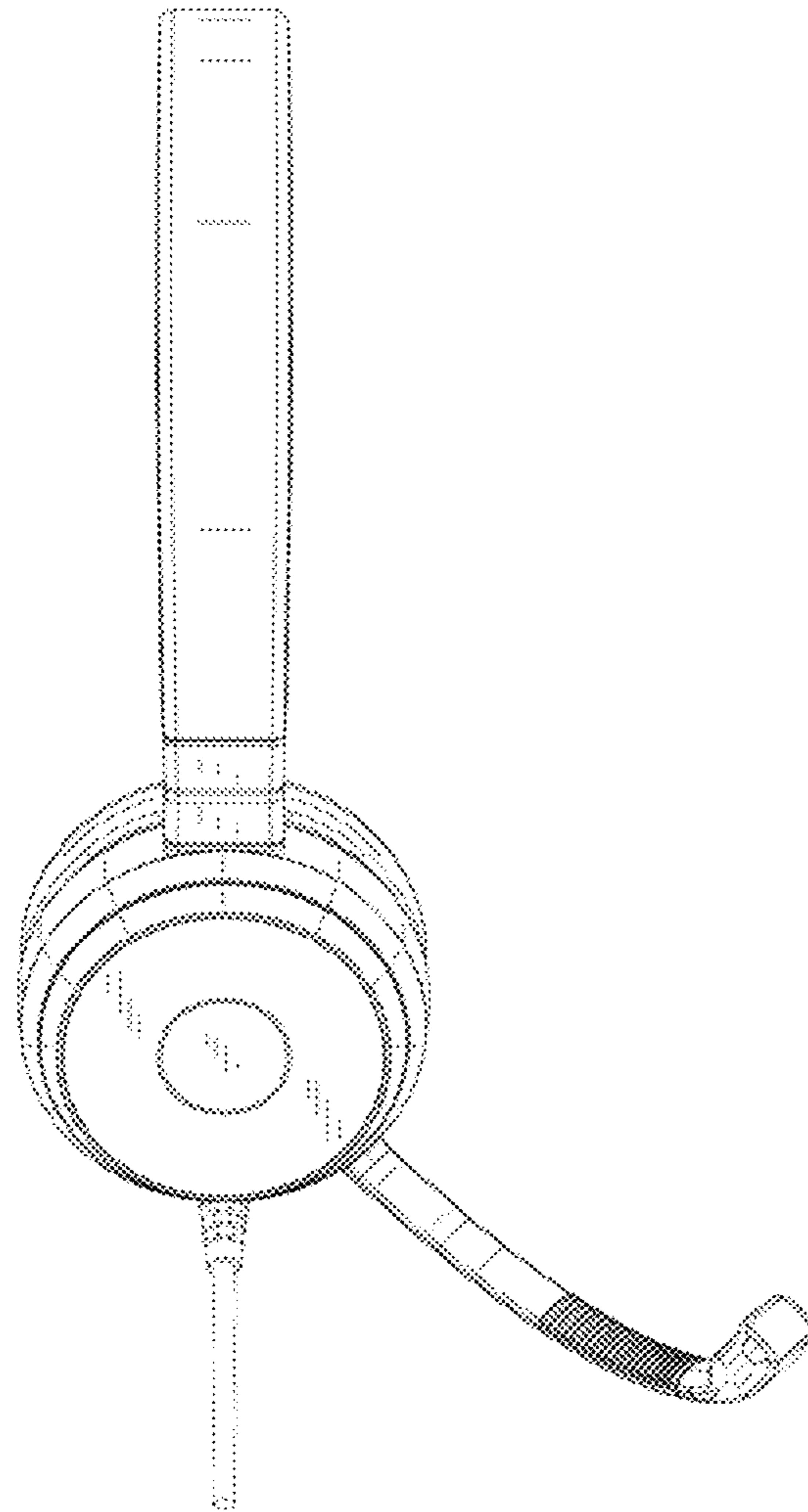


FIG. 3



**FIG. 4**

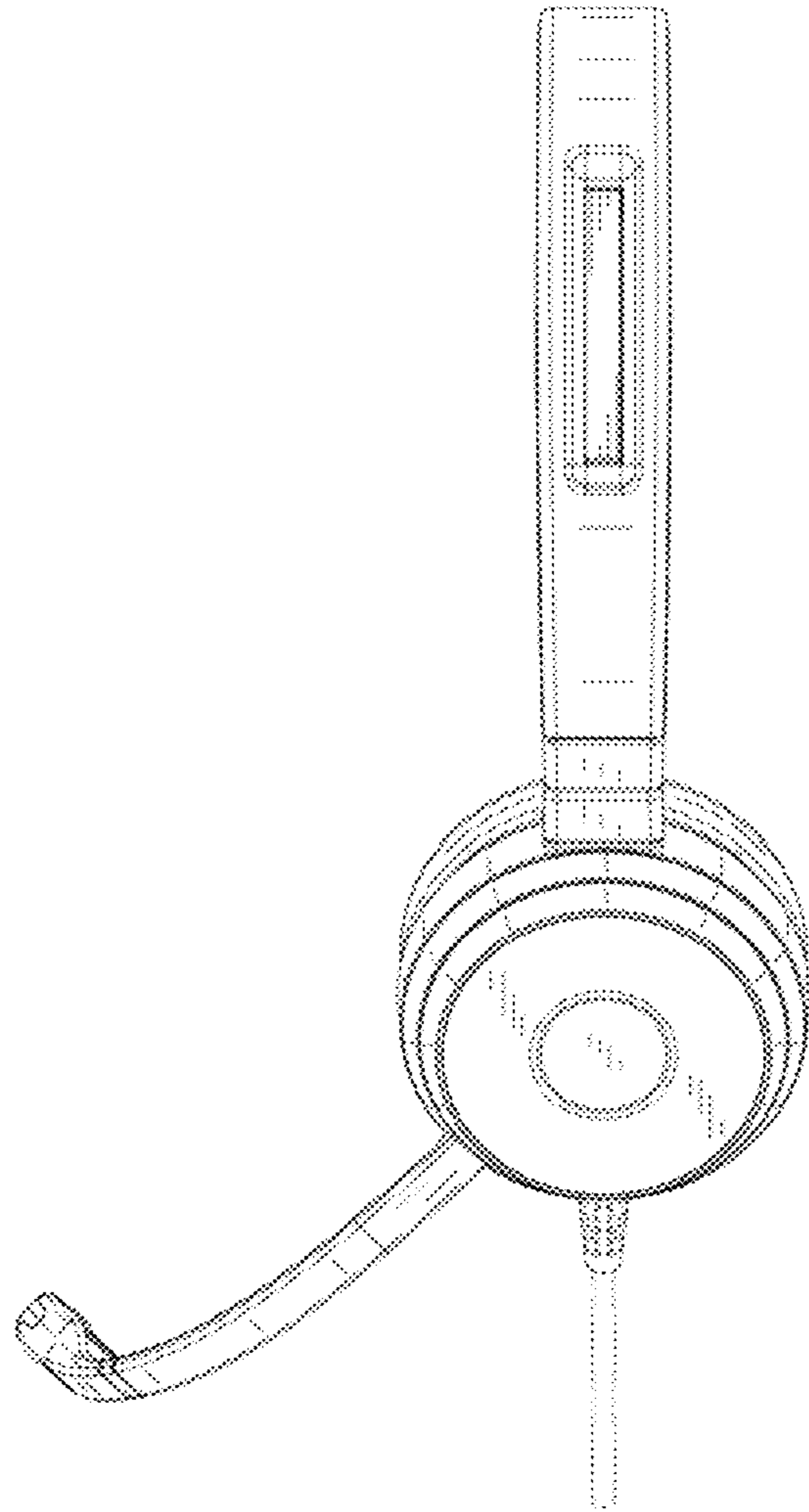
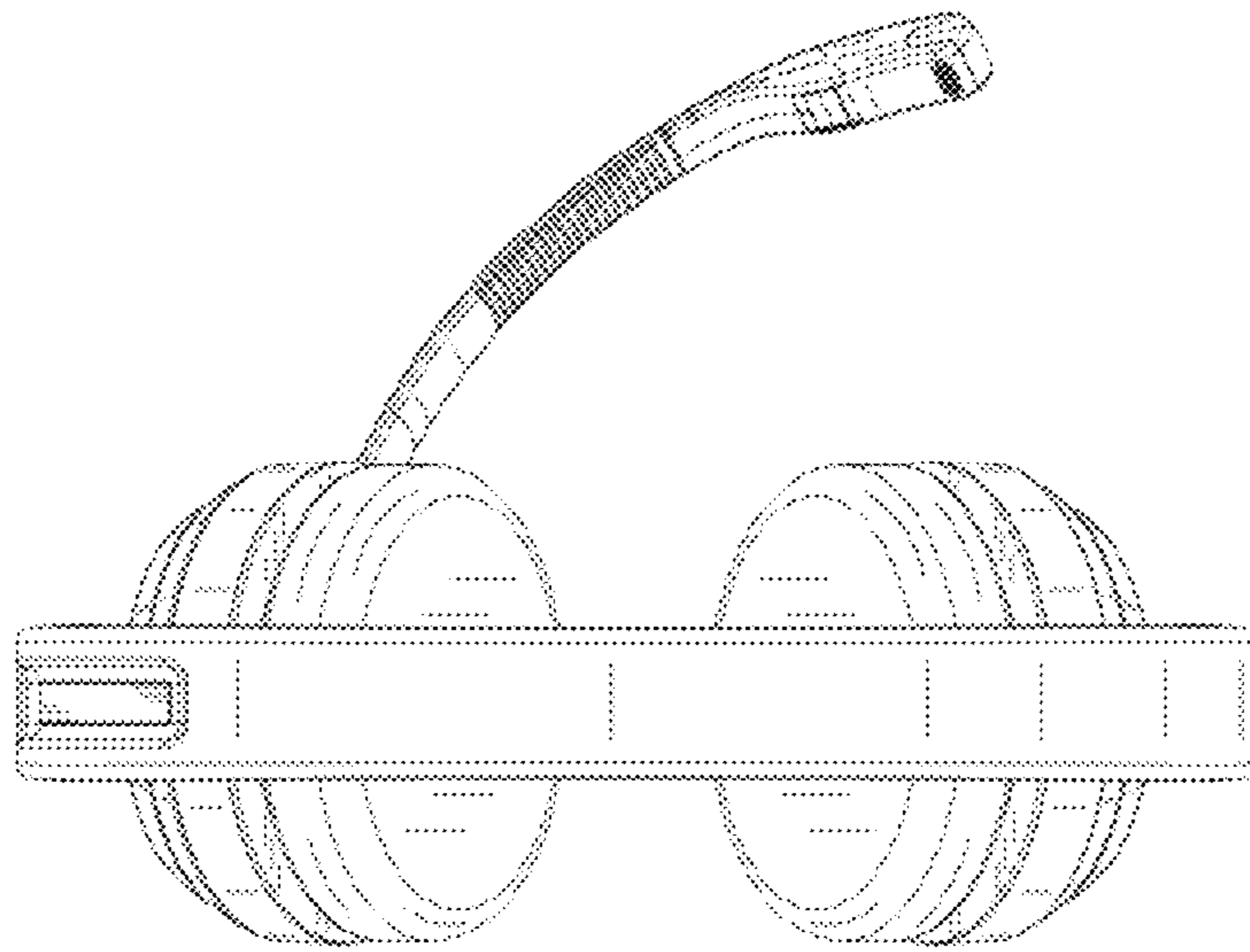


FIG. 5



**FIG. 6**



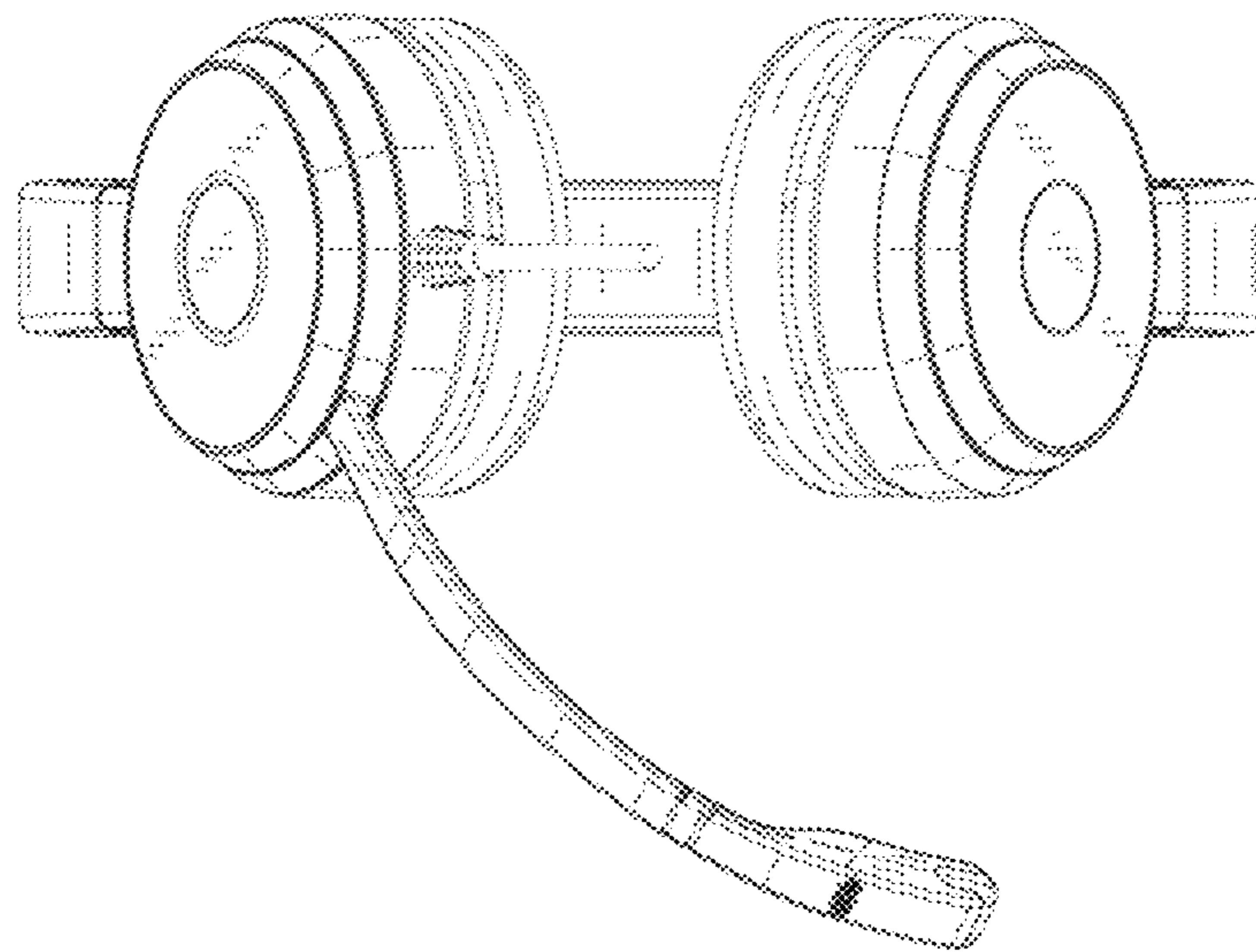


FIG. 7



**FIG. 8**

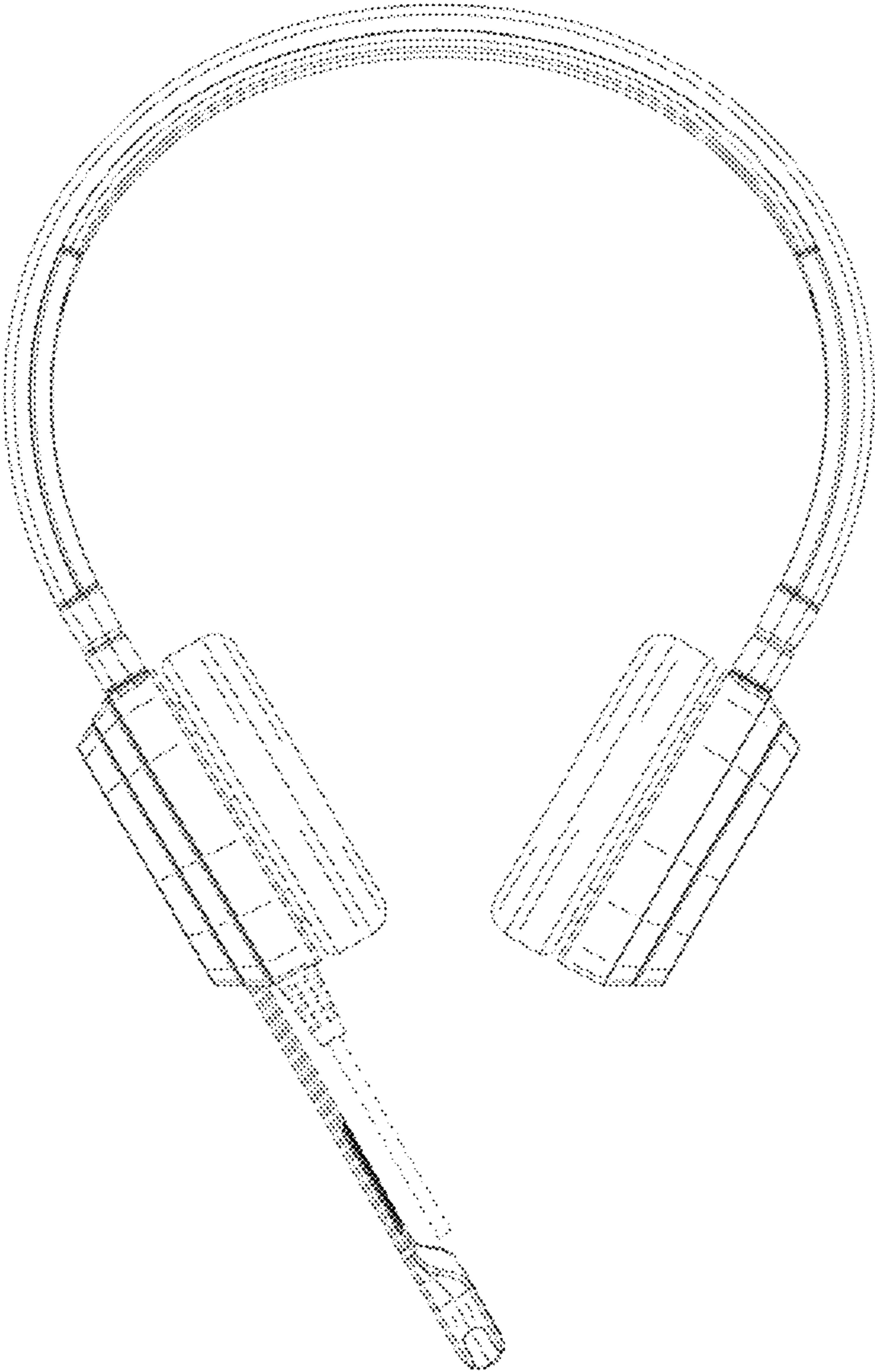
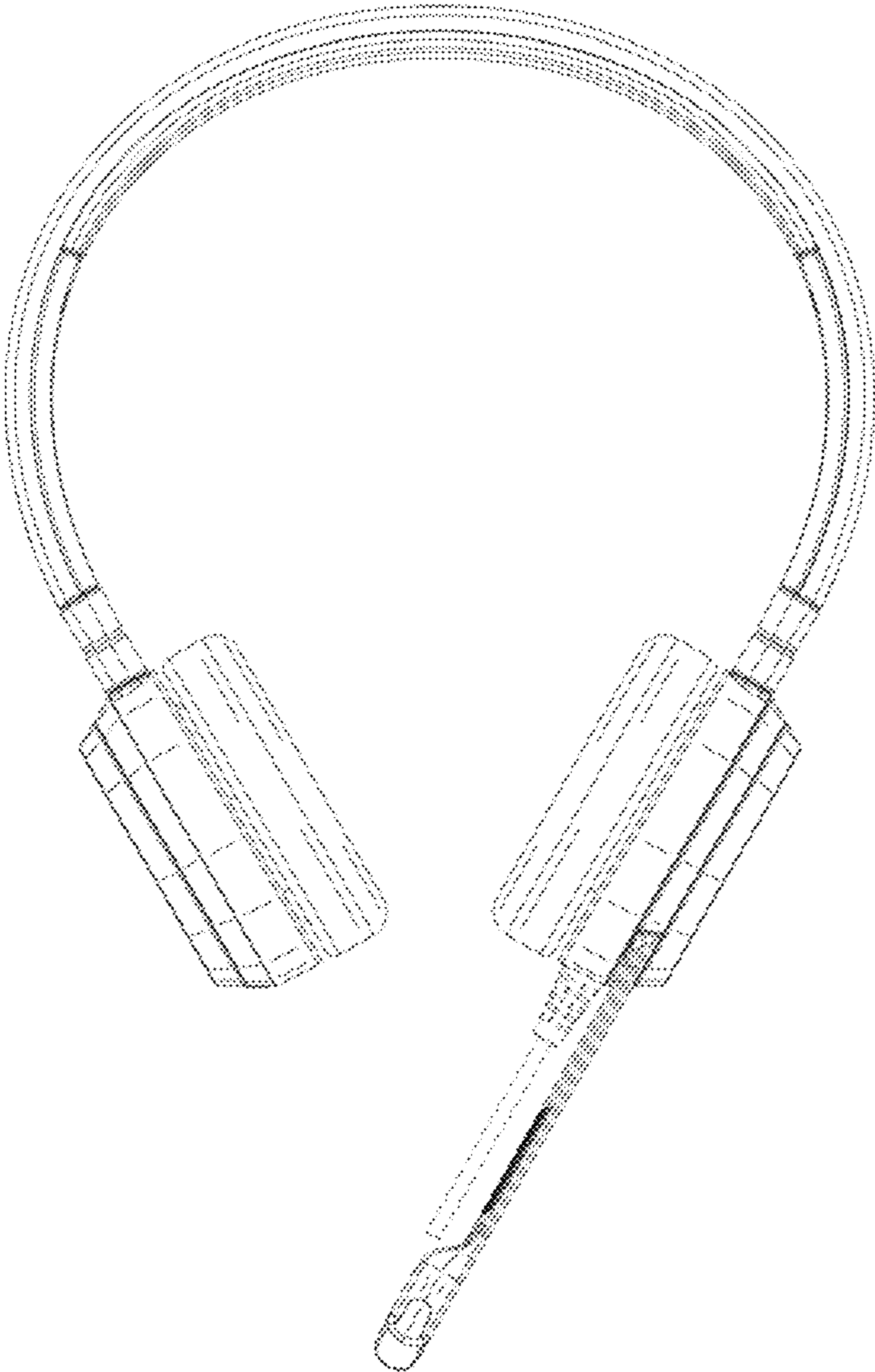
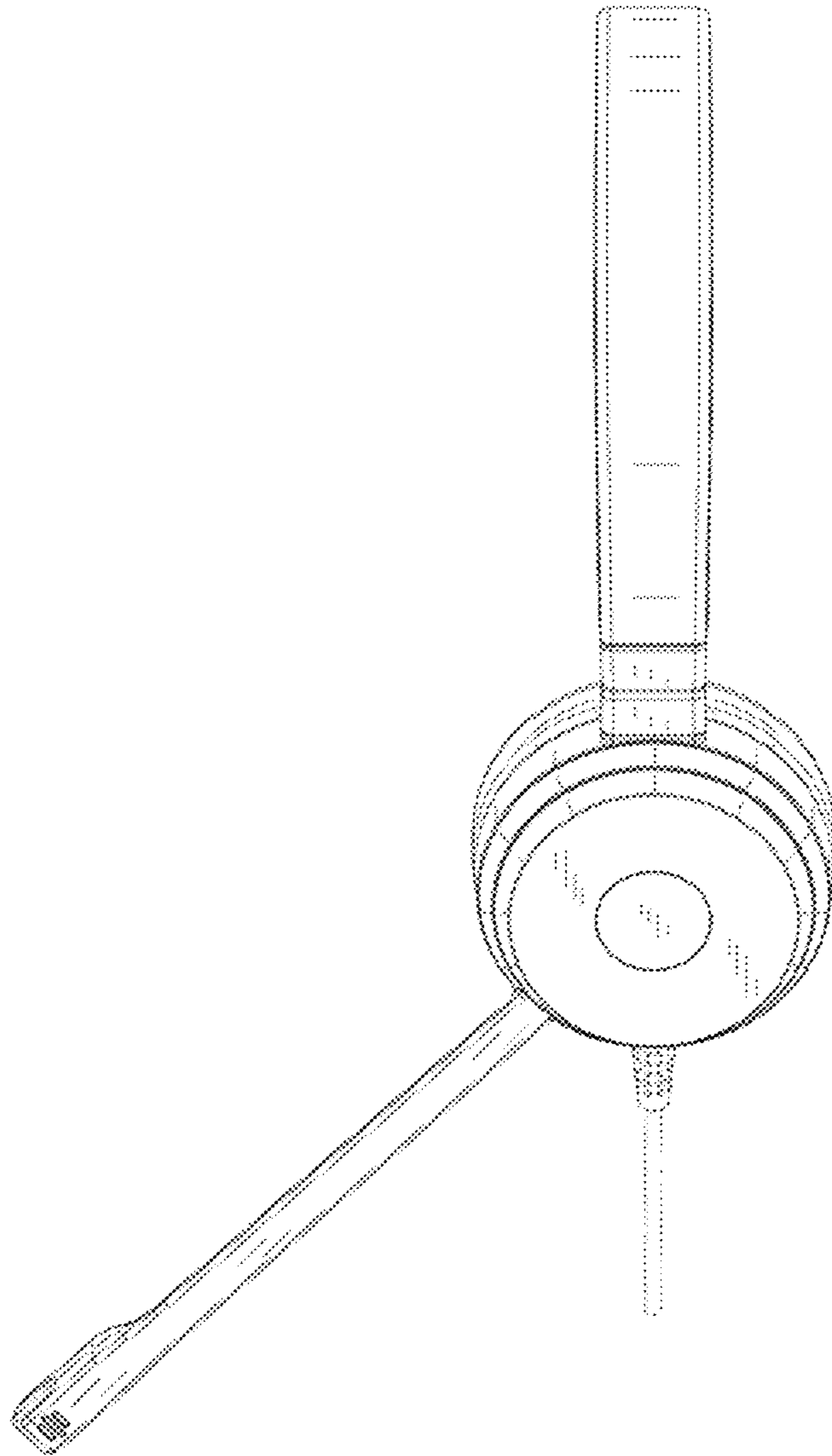


FIG. 9



**FIG. 10**



**FIG. 11**



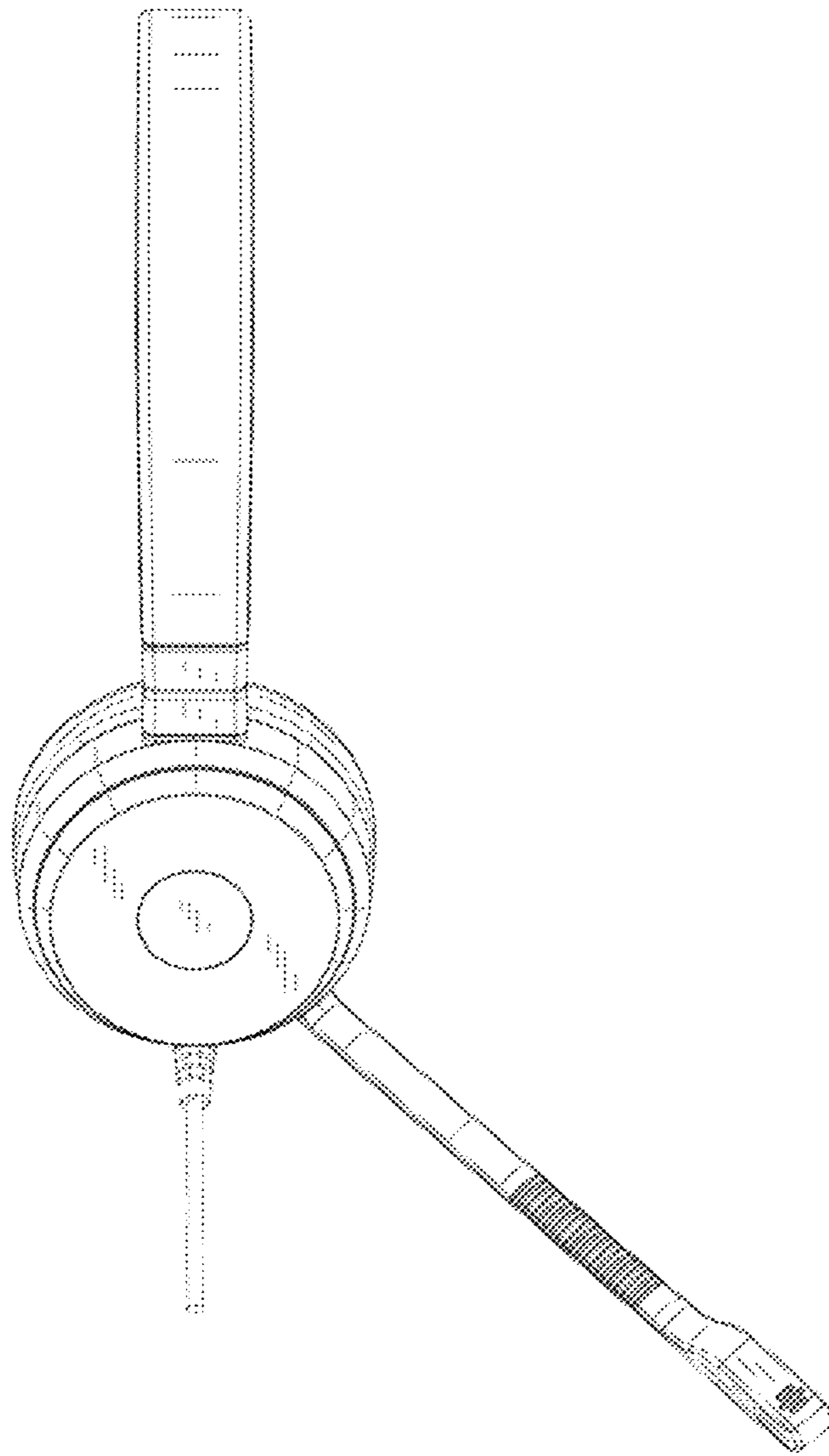
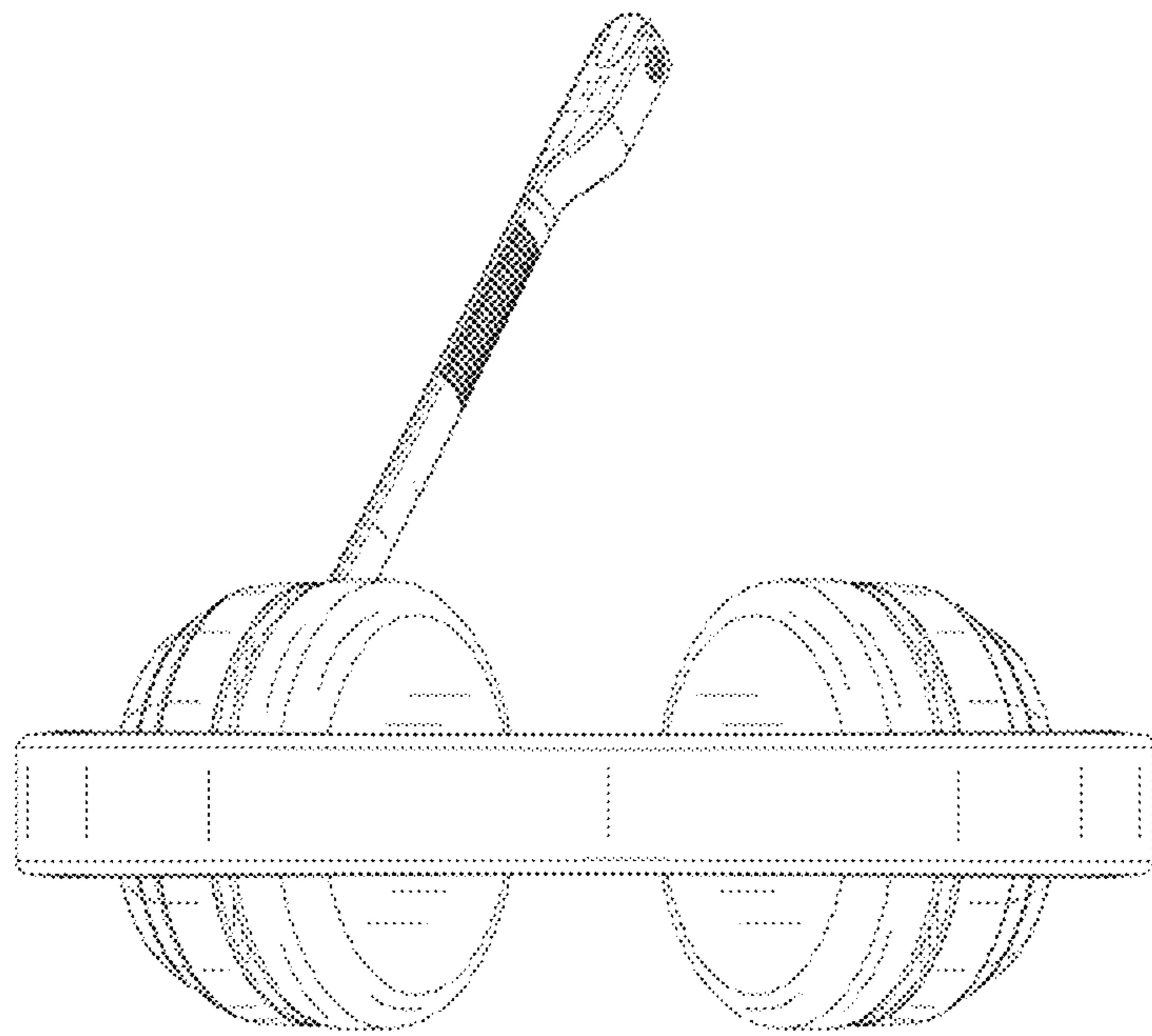


FIG. 12



**FIG. 13**

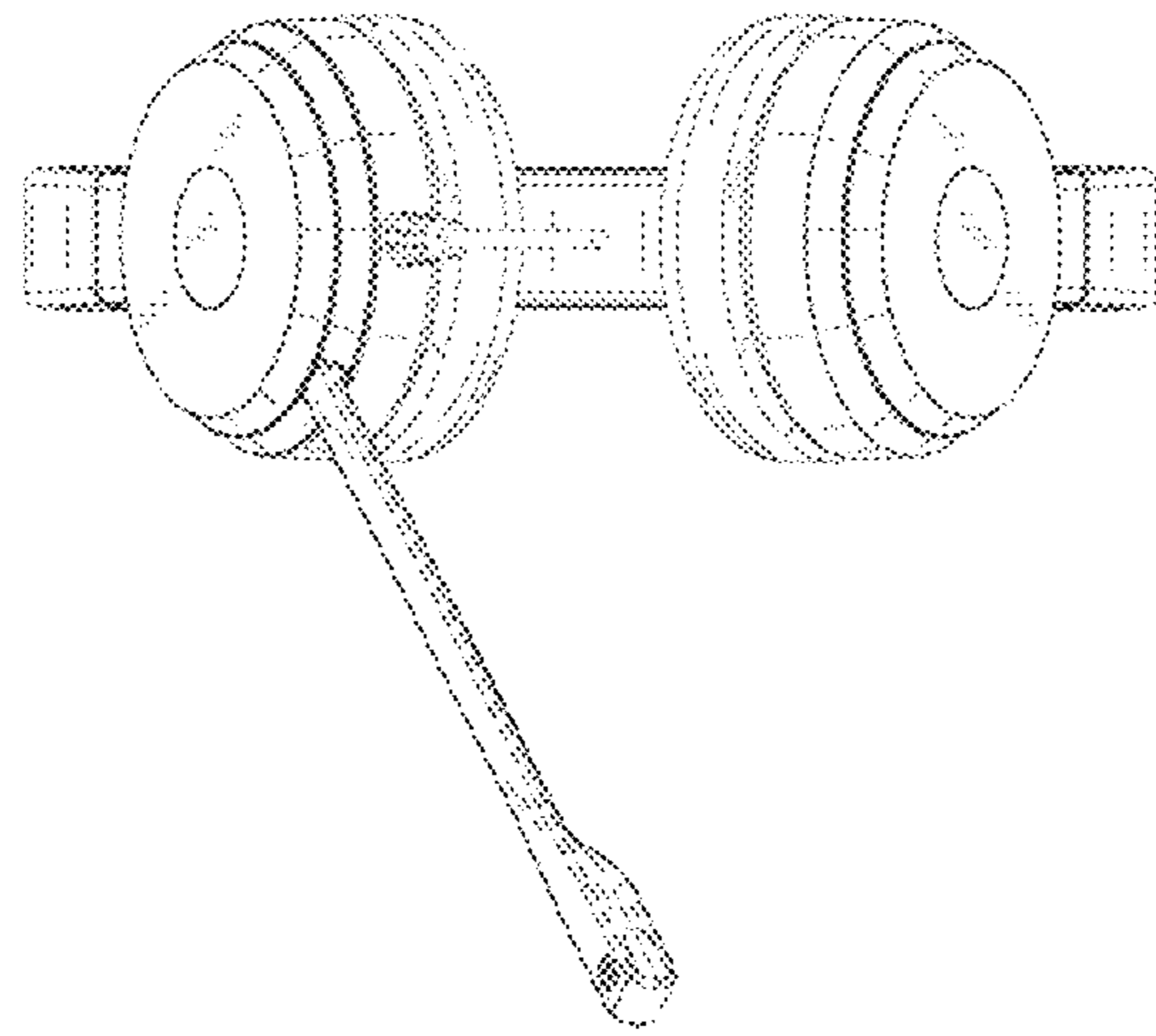


FIG. 14