



US00D806673S

(12) **United States Design Patent**
Mizrahi

(10) **Patent No.:** **US D806,673 S**
(45) **Date of Patent:** **** Jan. 2, 2018**

(54) **HEADPHONE CONTROLLER**

(71) Applicant: **Mizco International Inc.**, Avenel, NJ (US)

(72) Inventor: **Mike J. Mizrahi**, Brooklyn, NY (US)

(73) Assignee: **Mizco International Inc.**, Avenel, NJ (US)

(**) Term: **15 Years**

(21) Appl. No.: **29/562,380**

(22) Filed: **Apr. 25, 2016**

Related U.S. Application Data

(62) Division of application No. 29/520,459, filed on Mar. 13, 2015, now Pat. No. Des. 783,571.

(51) **LOC (11) Cl.** **14-01**

(52) **U.S. Cl.**
USPC **D14/205; D14/218**

(58) **Field of Classification Search**
USPC D14/205, 218, 223; D21/333; D13/168;
341/176; 340/12.22; 181/129, 130, 135;
379/430, 431; 381/380, 381, 370, 384;
455/90.3, 575.1
CPC H04R 25/00; H04R 1/1066; H04R 1/10;
G05B 19/02
See application file for complete search history.

(56) **References Cited**

U.S. PATENT DOCUMENTS

D156,329 S *	12/1949	Federico et al.	D14/227
3,049,582 A *	8/1962	Shinn	H01R 4/70
				174/92
3,370,236 A *	2/1968	Walker	H04B 1/385
				224/674
D234,957 S *	4/1975	Huntington	D14/225
D260,008 S *	7/1981	Wistrand	D10/106.1

D280,323 S *	8/1985	Scheid	D14/225
D303,638 S *	9/1989	Andrews, Sr.	D10/106.1
D307,853 S *	5/1990	Tyberg	D7/709
D318,246 S *	7/1991	Schwartz	D10/106.1
D330,522 S *	10/1992	Mokhtarian	D10/104.1
D344,524 S *	2/1994	Taniguchi	D14/205
D356,571 S *	3/1995	Garmon	D14/225
5,481,251 A *	1/1996	Buys	H03J 7/18
				340/12.22
D384,072 S *	9/1997	Ng	D14/192
D387,059 S *	12/1997	Peng	D14/214
D400,882 S *	11/1998	Chen	D14/214
D432,522 S *	10/2000	Kieltyka	D14/214

(Continued)

Primary Examiner — Paula Allen Greene

(74) *Attorney, Agent, or Firm* — Loza & Loza, LLP;
Jeffrey T. Burgess

(57) **CLAIM**

The ornamental design for headphone controller, as shown and described.

DESCRIPTION

FIG. 1 is a top perspective view of a headphone controller in accordance with an exemplary embodiment of the present design.

FIG. 2 is a top view of the headphone controller of FIG. 1. FIG. 3 is a bottom view of the headphone controller of FIG. 1.

FIG. 4 is a right side view of the headphone controller of FIG. 1.

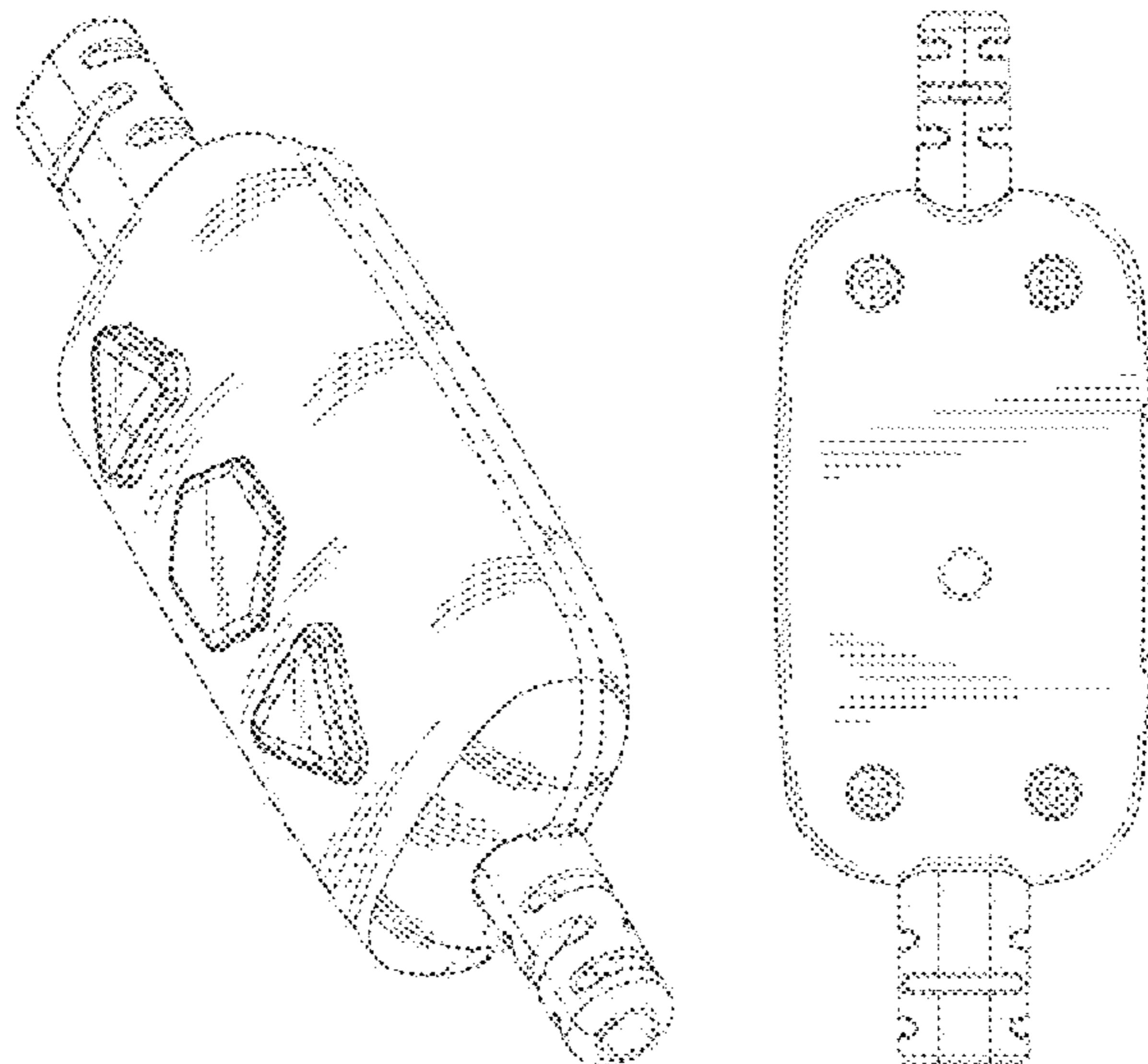
FIG. 5 is a left side view of the headphone controller of FIG. 1.

FIG. 6 is a upper side view of the headphone controller of FIG. 1; and,

FIG. 7 is a lower side view of the headphone controller of FIG. 1.

The broken lines depict environment that forms no part of the claimed design.

1 Claim, 6 Drawing Sheets



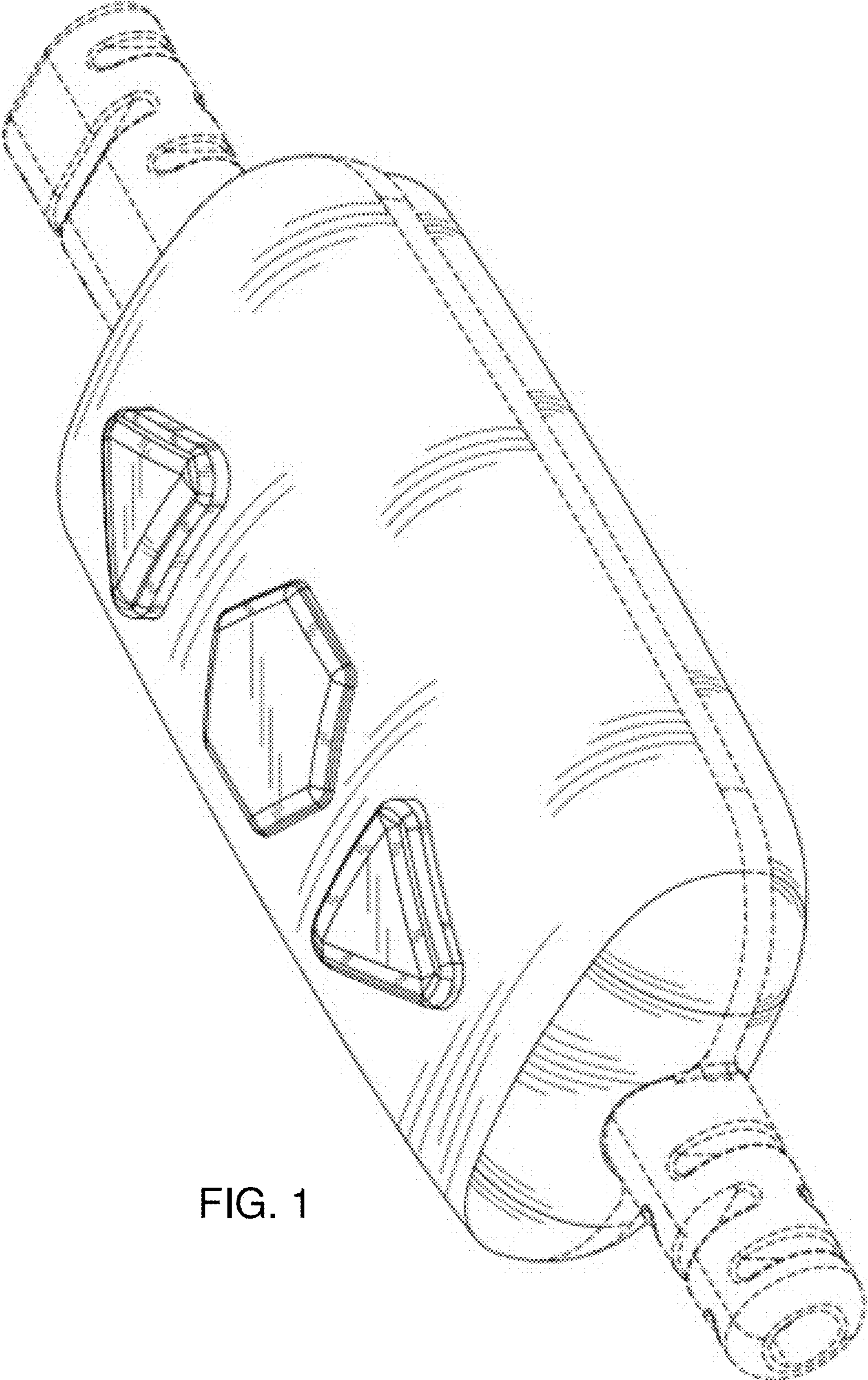


FIG. 1

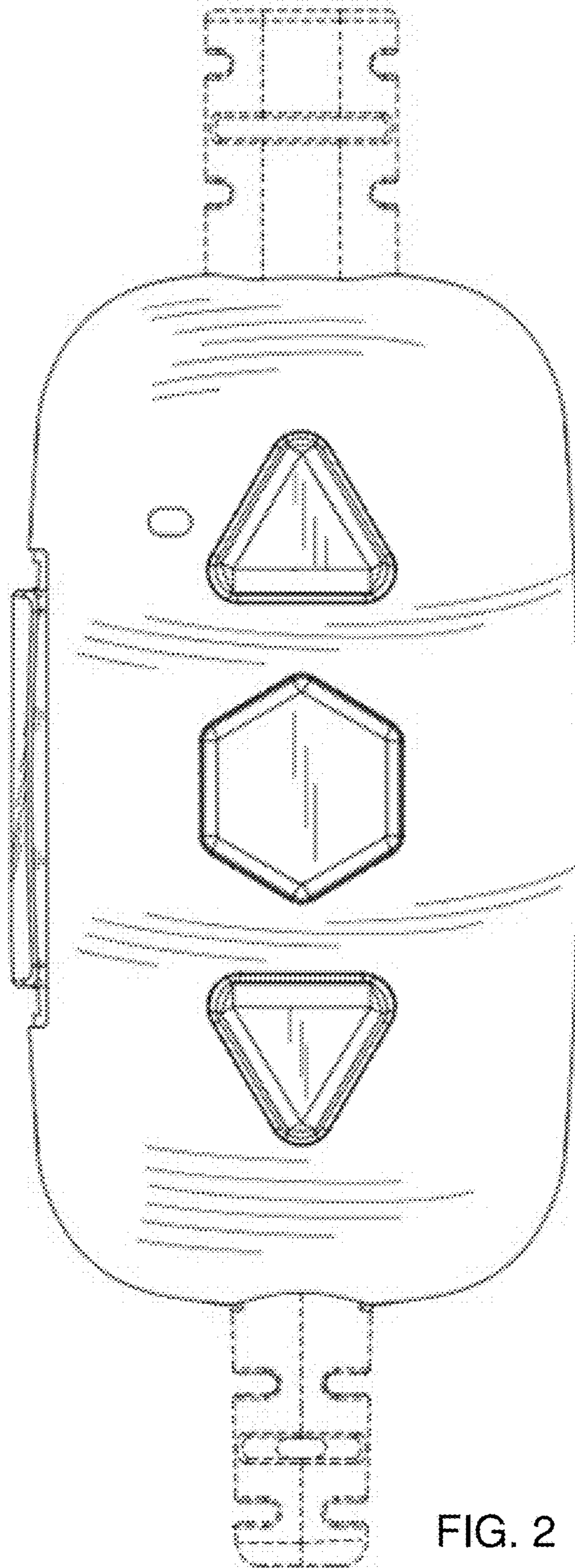


FIG. 2

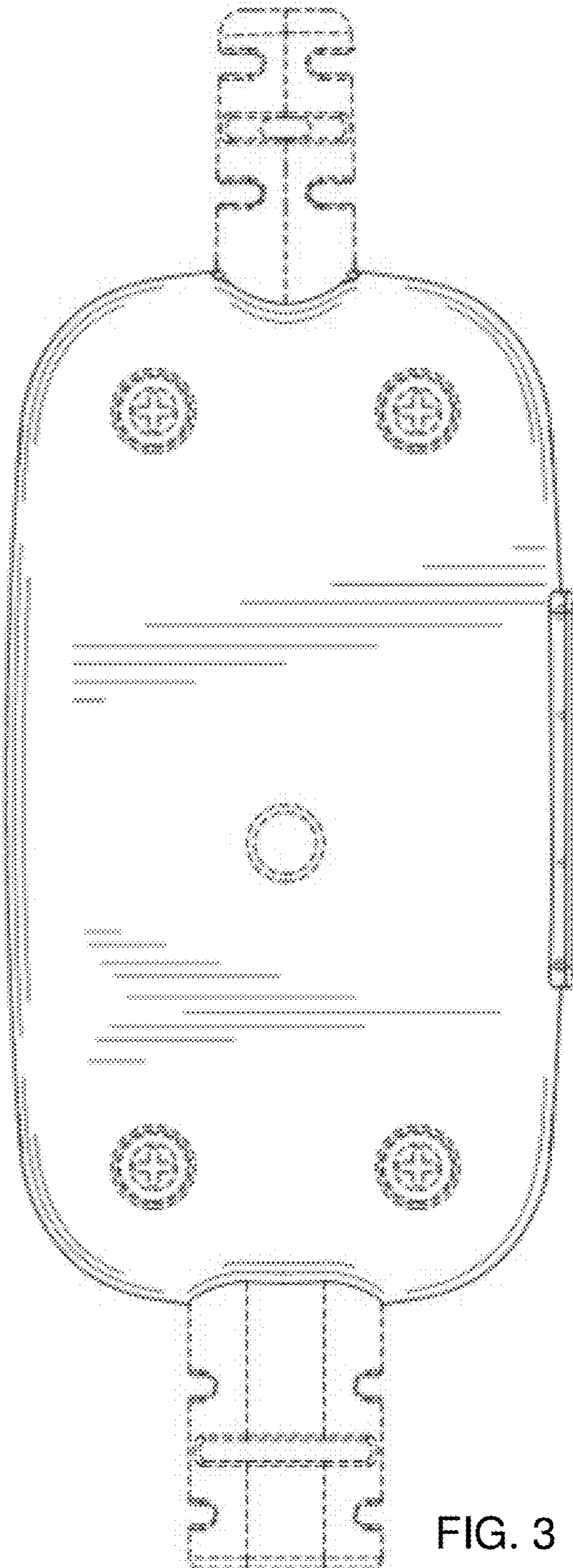


FIG. 3

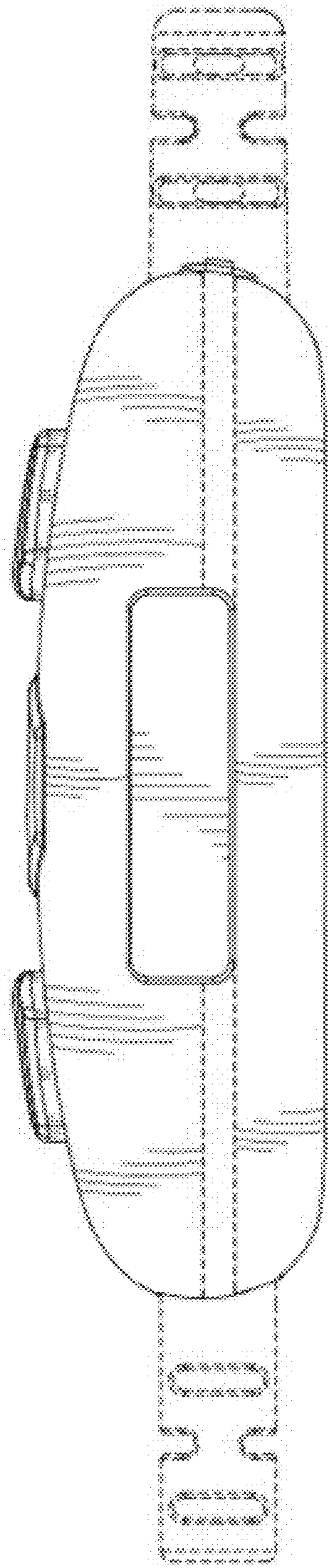


FIG. 4

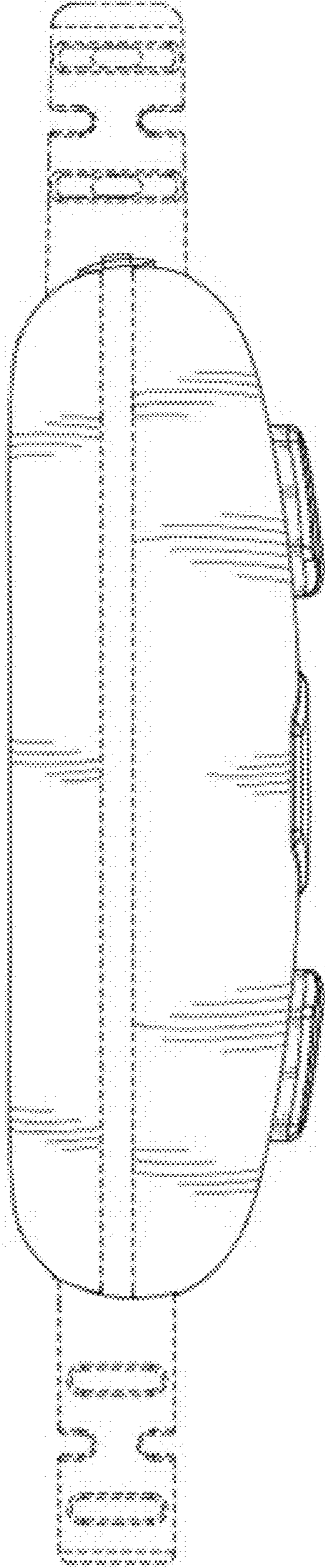


FIG. 5

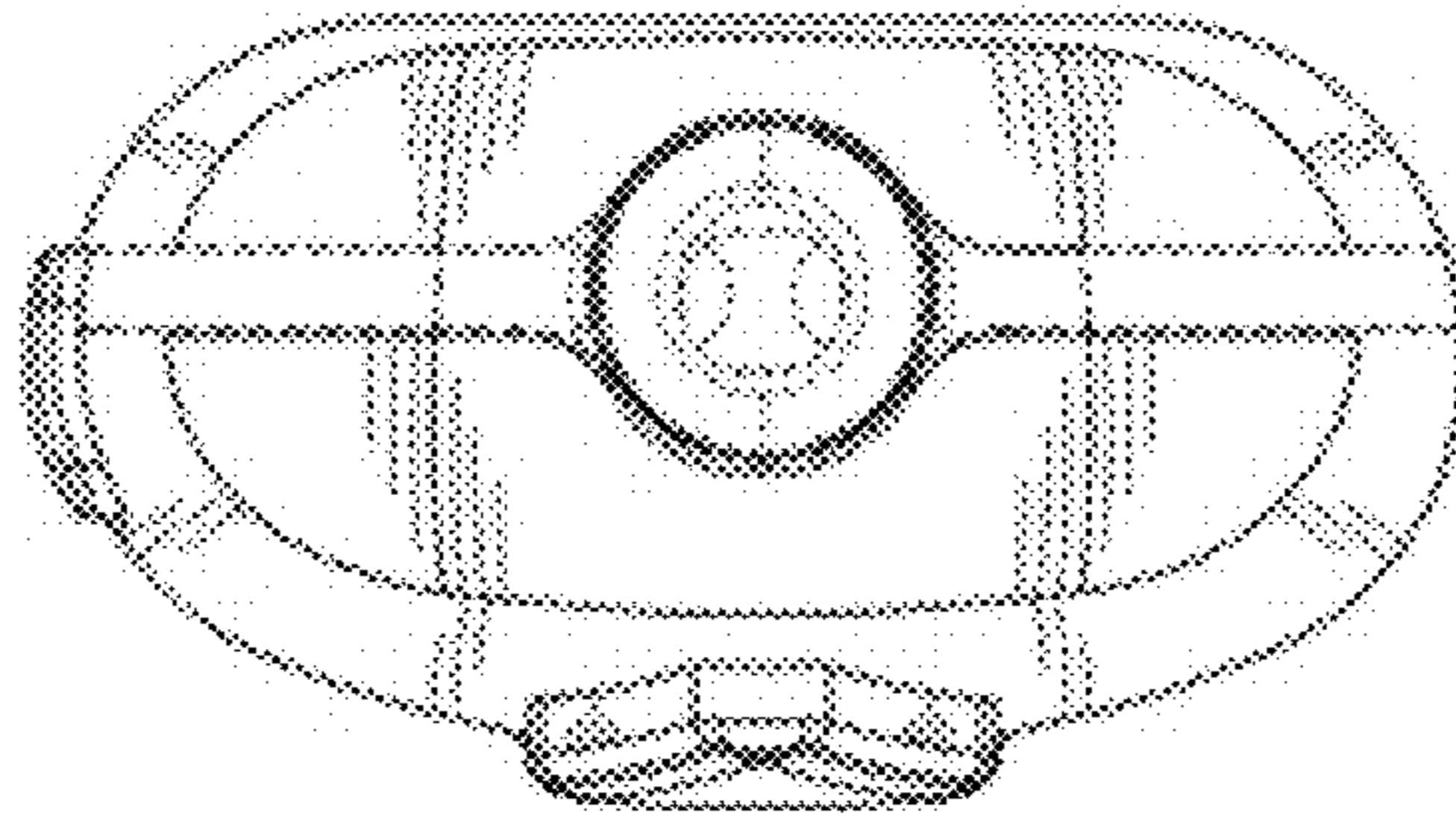


FIG. 6

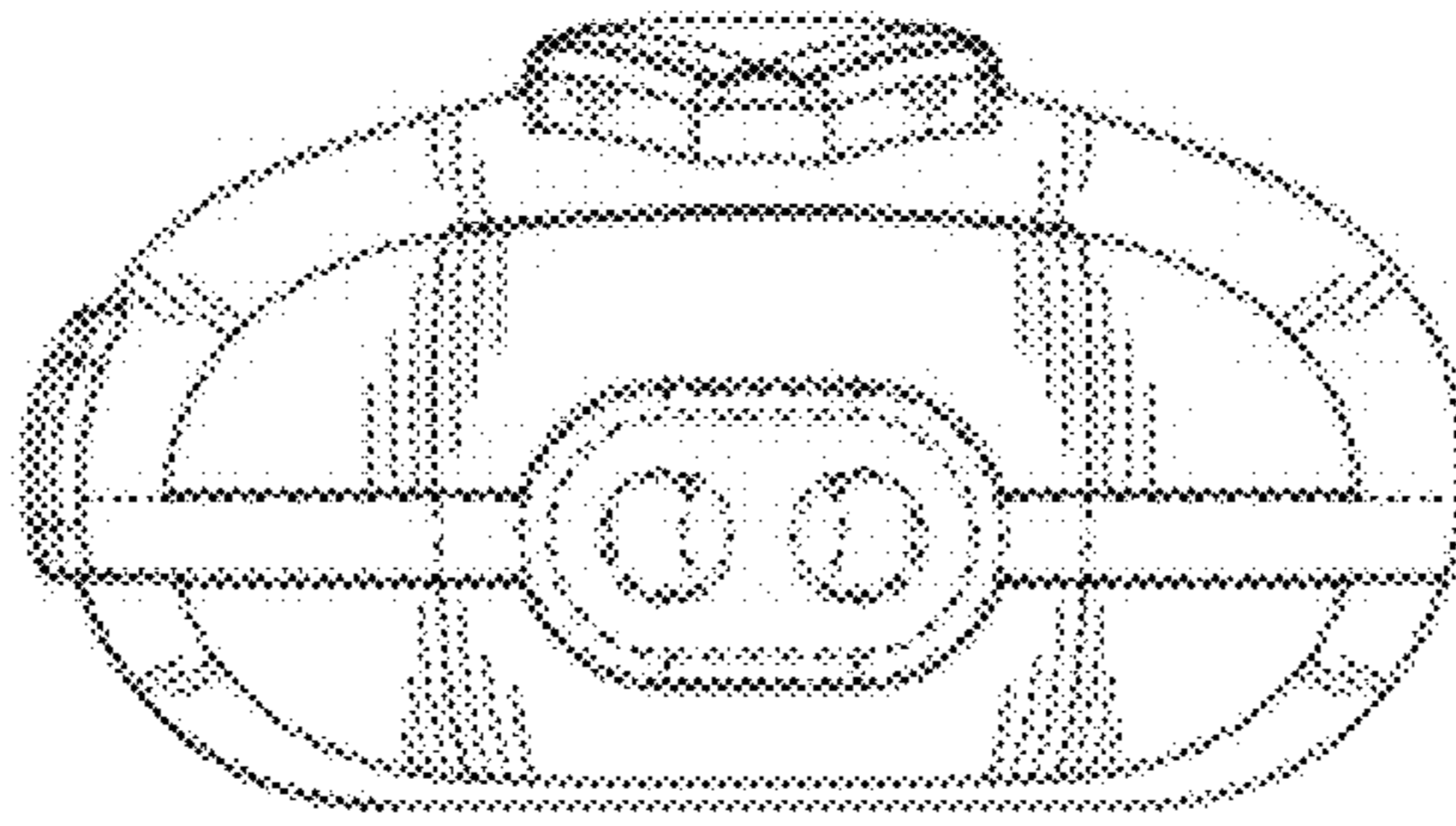


FIG. 7