



US00D806672S

(12) **United States Design Patent** (10) **Patent No.:** **US D806,672 S**  
**Larsen et al.** (45) **Date of Patent:** **\*\* Jan. 2, 2018**

(54) **COMBINED LOUDSPEAKER AND SPEAKERPHONE**

(71) Applicant: **GN Netcom A/S**, Ballerup (DK)  
(72) Inventors: **Steffen MØlgaard Larsen**,  
Copenhagen (DK); **Thomas Lænner**,  
Copenhagen (DK); **Rasmus Trudslev Pedersen**,  
Copenhagen (DK)  
(73) Assignee: **GN Netcom A/S** (DK)  
(\*\*) Term: **15 Years**

(21) Appl. No.: **29/570,053**  
(22) Filed: **Jul. 4, 2016**

**Related U.S. Application Data**

(62) Division of application No. 29/489,748, filed on May 2, 2014, now Pat. No. Des. 760,683.

**Foreign Application Priority Data**

Nov. 4, 2013 (EM) ..... 002337709-0001  
(51) **LOC (11) Cl.** ..... **14-01**  
(52) **U.S. Cl.**  
USPC ..... **D14/204**  
(58) **Field of Classification Search**  
USPC ..... D2/908, 947, 961; D14/189, 203.2, 204,  
D14/207, 210, 214, 220, 221; D32/40,  
D32/67; 181/143, 144, 147, 148, 150,  
181/151, 153, 157, 198, 199;  
381/300-302, 306, 332, 333, 336, 345,  
381/361-364, 386-388  
CPC ..... H04R 1/02; H04R 1/021; H04R 1/023;  
H04R 5/00; H04R 9/06; H04R 2420/07  
See application file for complete search history.

(56) **References Cited**

U.S. PATENT DOCUMENTS

D148,297 S 1/1948 Hardell  
D379,627 S 6/1997 Takahashi  
D397,115 S 8/1998 Gremchuck  
D469,949 S \* 2/2003 Koo ..... D2/952  
D473,041 S \* 4/2003 Finkelberg ..... D2/957  
D531,619 S 11/2006 Chau  
D532,190 S \* 11/2006 Scheurer ..... D2/947  
D536,692 S 2/2007 Alwicker  
D578,105 S \* 10/2008 Komiyama ..... D14/214  
D578,106 S \* 10/2008 Shimizu ..... D14/214  
D578,107 S 10/2008 Shimizu

(Continued)

FOREIGN PATENT DOCUMENTS

EM 002105692-0001 10/2012

OTHER PUBLICATIONS

Jabra Solemate speaker, announced Aug. 2012, [online], site visited Aug. 13, 2015. Available from Internet, <URL:http://www.pcmag.com>.

*Primary Examiner* — Derrick Holland  
*Assistant Examiner* — Janice Lim  
(74) *Attorney, Agent, or Firm* — Altera Law Group, LLC

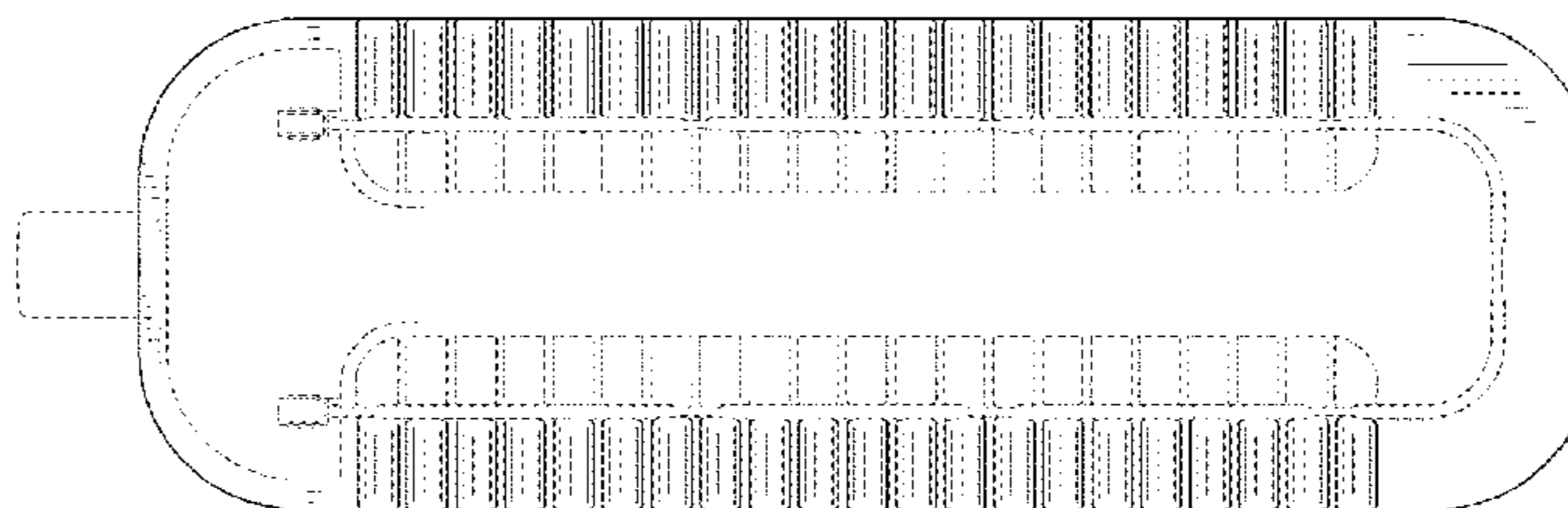
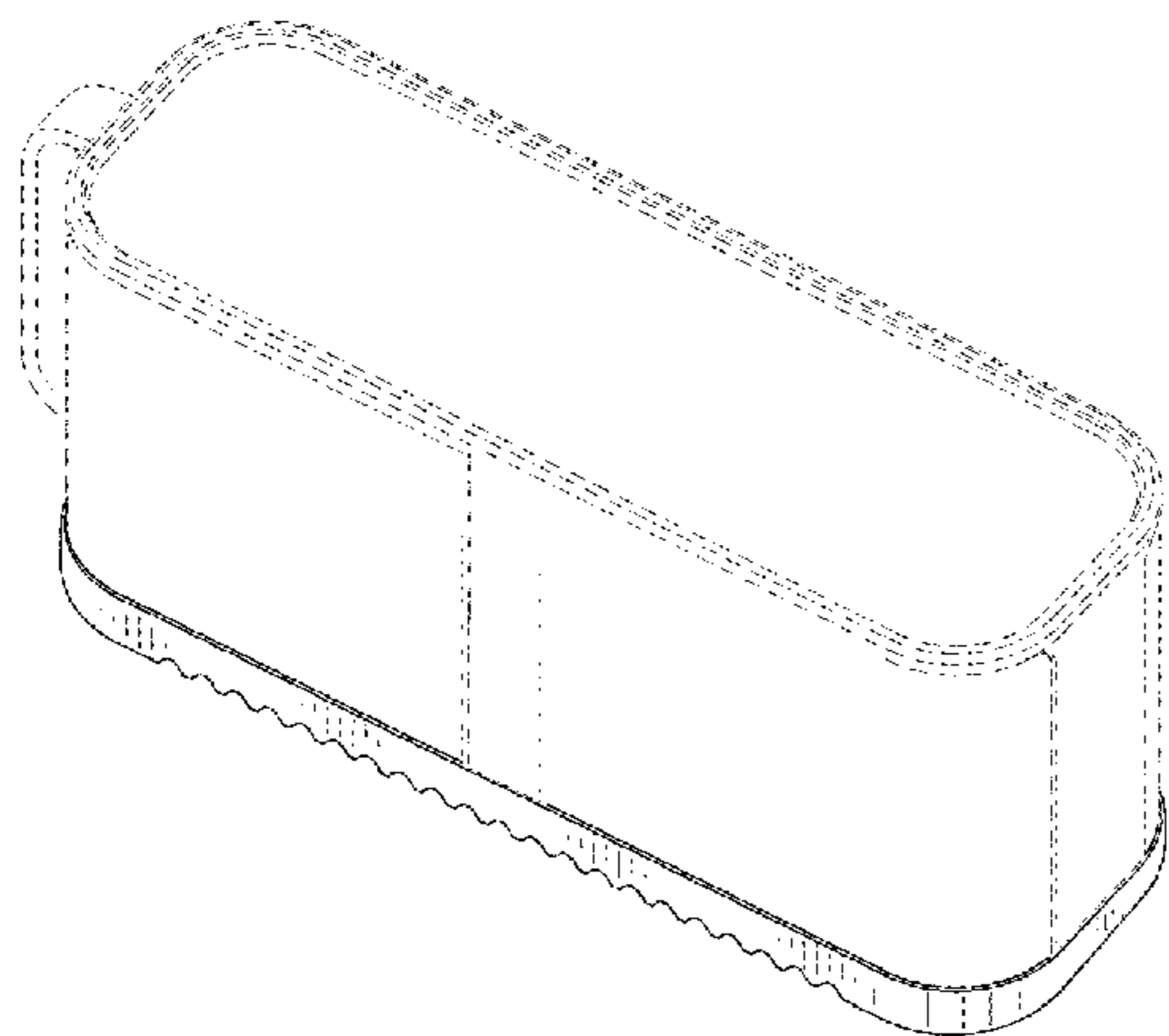
(57) **CLAIM**

The ornamental design for a combined loudspeaker and speakerphone, as shown and described.

**DESCRIPTION**

FIG. 1 is a top perspective view of a combined loudspeaker and speakerphone, showing our new design.  
FIG. 2 is a front elevational view thereof.  
FIG. 3 is a back elevational view thereof.  
FIG. 4 is a bottom plan view thereof; and,  
FIG. 5 is a side elevational view thereof.  
The broken line portions in the figures illustrate the portions of the design that form no part of the claimed design.

**1 Claim, 3 Drawing Sheets**



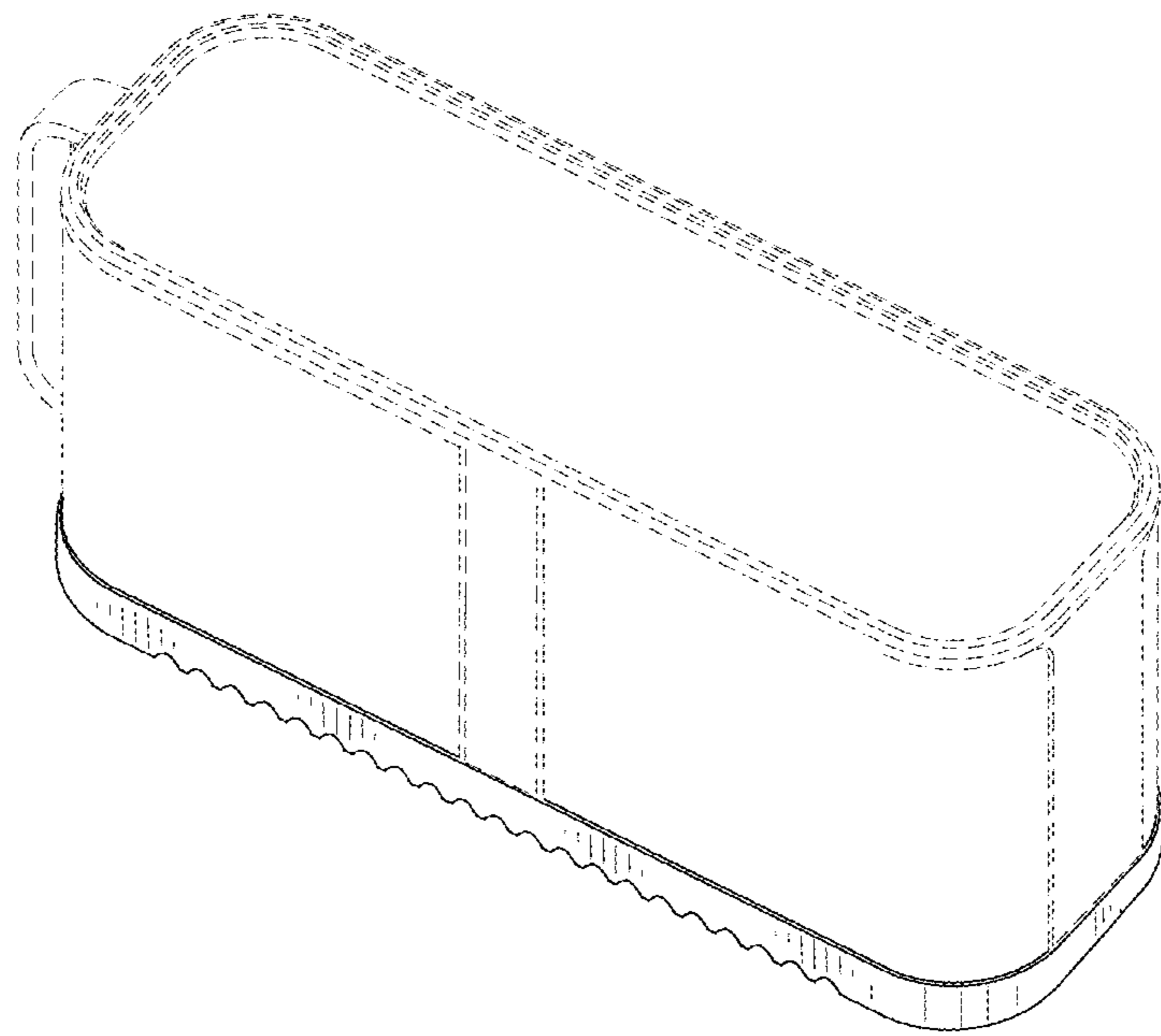
(56)

**References Cited**

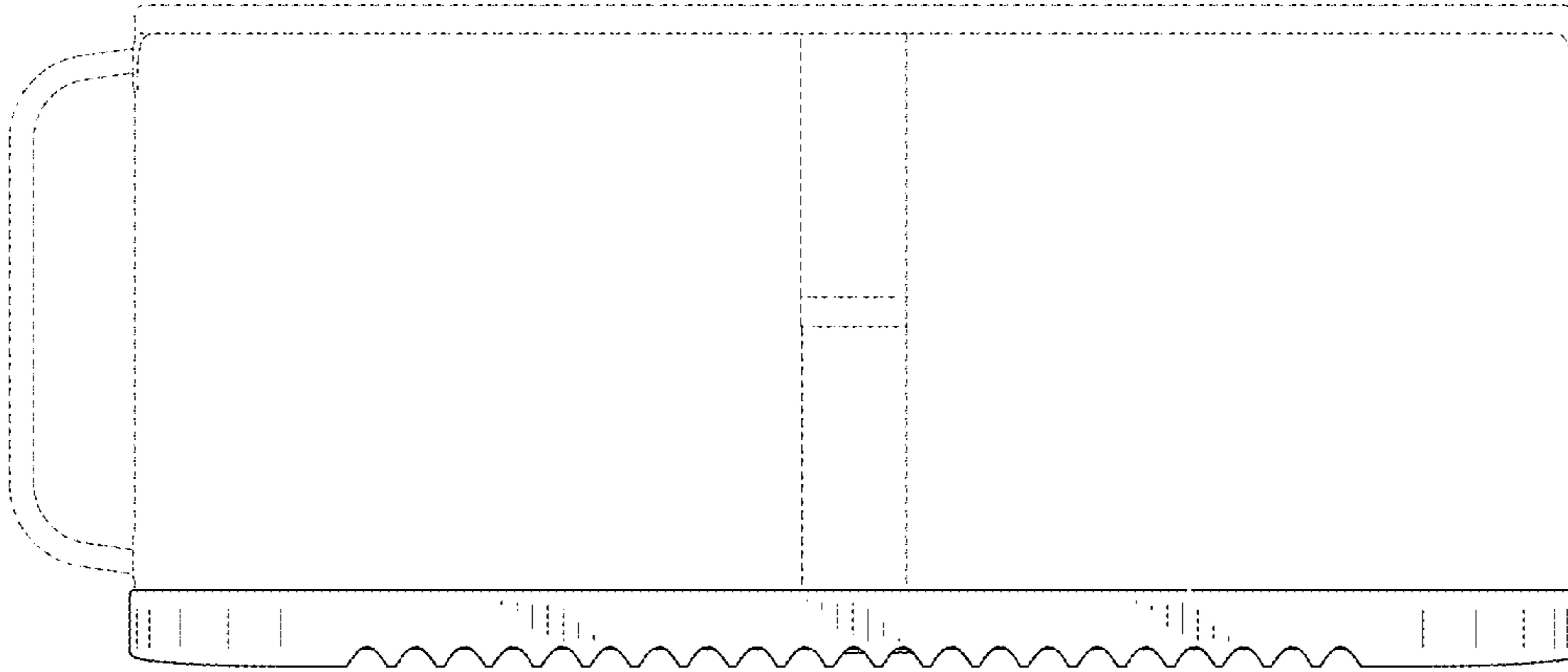
U.S. PATENT DOCUMENTS

D579,105 S	10/2008	Jones	
D579,952 S	11/2008	Yamada	
D586,327 S	2/2009	Shimizu	
7,516,932 B2 *	4/2009	Engebretson	..... H04R 1/026 248/317
D592,494 S	5/2009	Wichowski	
D622,258 S *	8/2010	Joseph	..... D10/2
D659,670 S *	5/2012	Goetzen	..... D14/194
D674,779 S *	1/2013	Joseph	..... D14/214
D681,010 S *	4/2013	Cho	..... D14/215
D689,845 S *	9/2013	Nylen	..... D14/215

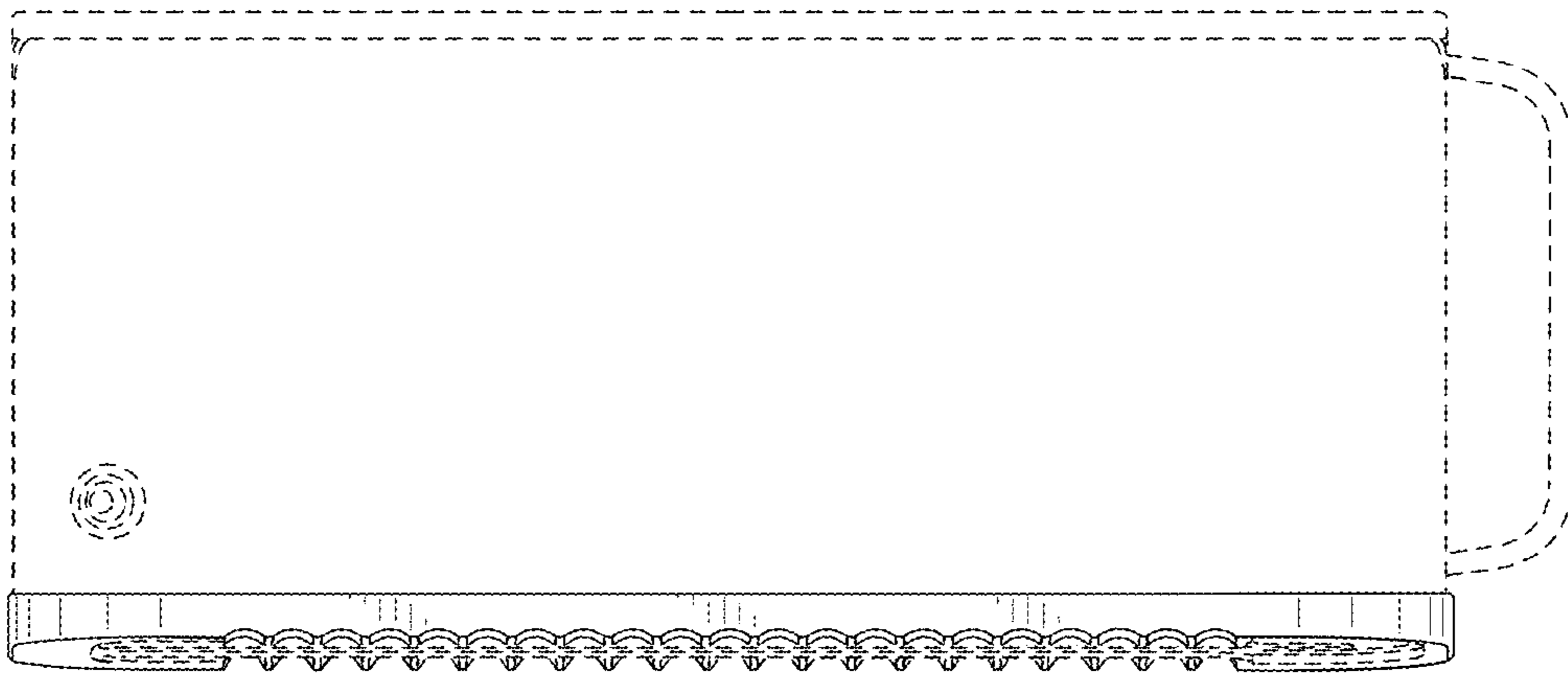
\* cited by examiner



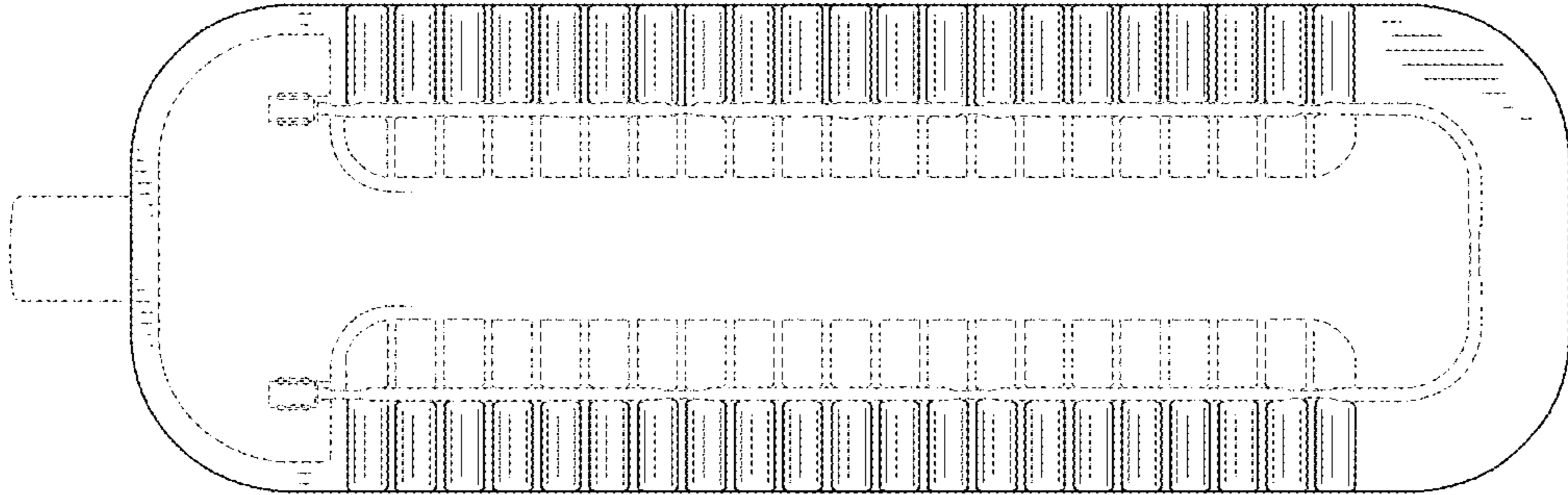
**FIG. 1**



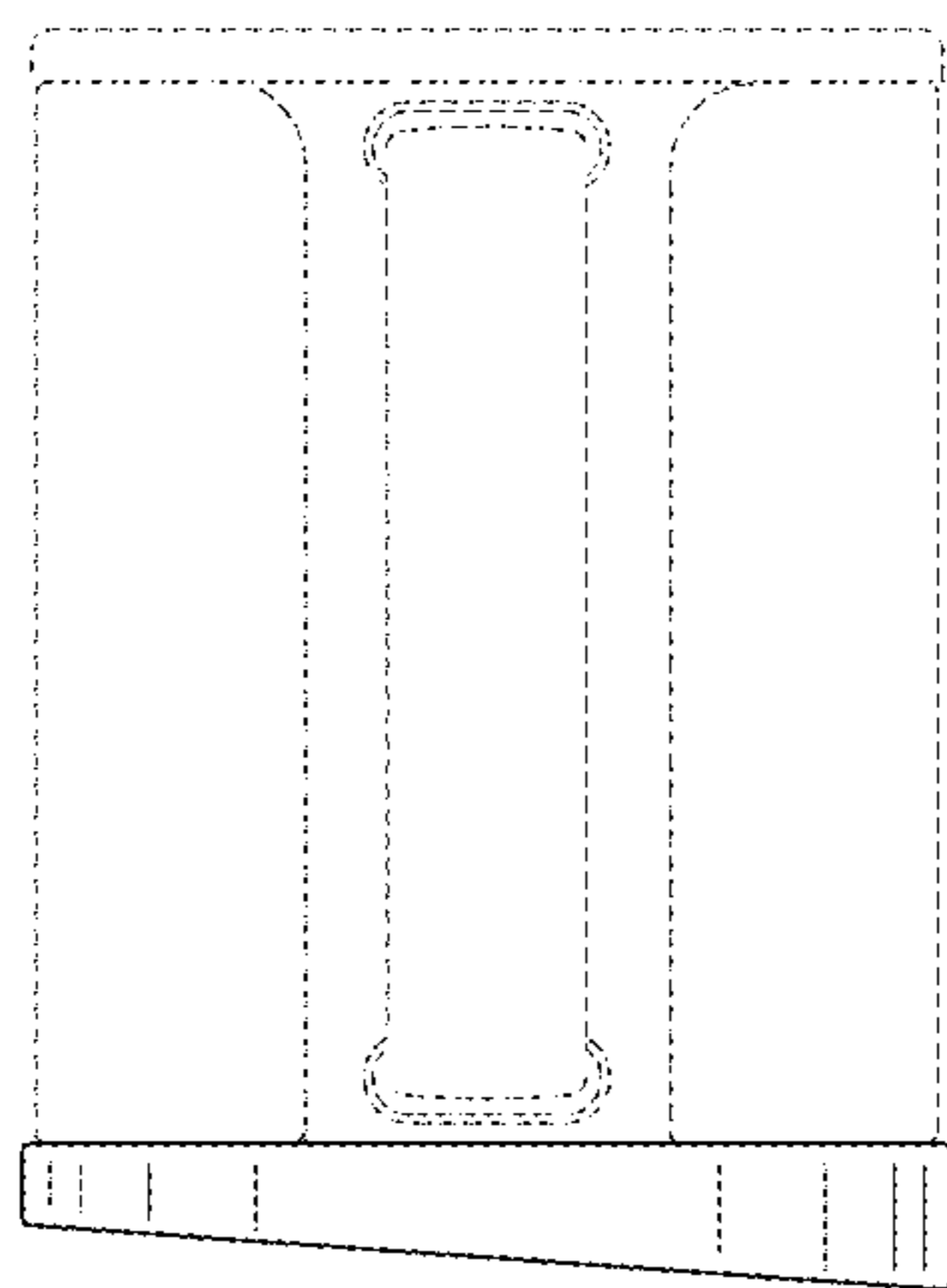
**FIG. 2**



**FIG. 3**



**FIG. 4**



**FIG. 5**