



US00D806671S

(12) **United States Design Patent**
Kalyuzhny et al.

(10) **Patent No.:** **US D806,671 S**

(45) **Date of Patent:** **** Jan. 2, 2018**

(54) **LOUDSPEAKER**

(71) Applicant: **Harman International Industries, Incorporated, Northridge, CA (US)**

(72) Inventors: **Val Kalyuzhny, Reseda, CA (US); Paul Peace, Northridge, CA (US)**

(73) Assignee: **Harman International Industries, Incorporated, Northridge, CA (US)**

(**) Term: **15 Years**

(21) Appl. No.: **29/540,147**

(22) Filed: **Sep. 21, 2015**

(51) **LOC (11) Cl.** **14-01**

(52) **U.S. Cl.**
USPC **D14/204**

(58) **Field of Classification Search**

USPC D14/188, 204, 209.1, 210–215, 348, 349,
D14/352, 498–505; 181/143, 144, 148,
181/153, 157, 198, 199; 369/6–12;
381/300–303, 361–364, 366, 386–388
CPC G06F 1/1688; G10K 9/22; H04N 5/64;
H04R 1/02; H04R 1/021; H04R 1/025;
H04R 1/026; H04R 1/028; H04R 1/403;
H04R 1/2803; H04R 1/2834; H04R 5/02;
H04R 9/06; H04R 19/013; H04R
2201/021; H04R 2400/00; H04R 2499/11;
H05K 5/00; H05K 5/0086

See application file for complete search history.

(56) **References Cited**

U.S. PATENT DOCUMENTS

D243,023 S * 1/1977 Robson D14/214
D271,967 S * 12/1983 Meyer D14/214
D276,518 S * 11/1984 Clemans D14/214
D387,764 S * 12/1997 Ross, Sr. D14/214
D393,860 S * 4/1998 Watson D14/214

D398,008 S * 9/1998 Yamakawa D14/214
D425,896 S * 5/2000 Ito D14/214
D468,724 S * 1/2003 Nugent D14/214
D468,725 S * 1/2003 Nugent D14/214
D473,212 S * 4/2003 Nugent D14/214

OTHER PUBLICATIONS

Peavey PR 12 Speaker, announced Sep. 2011, [online], site visited Oct. 28, 2016. Available from Internet, <URL: <http://www.musiciansfriend.com>>.*

* cited by examiner

Primary Examiner — Derrick Holland

Assistant Examiner — Janice Lim

(74) *Attorney, Agent, or Firm* — Plumsea Law Group, LLC

(57) **CLAIM**

The ornamental design for a loudspeaker, as shown and described.

DESCRIPTION

FIG. 1 is a perspective view of a loudspeaker showing our new design;

FIG. 2 is a front elevational view thereof;

FIG. 3 is a side elevational view thereof, and the opposite side elevational view being a mirror image thereof;

FIG. 4 is a rear elevational view thereof;

FIG. 5 is a top plan view thereof; and,

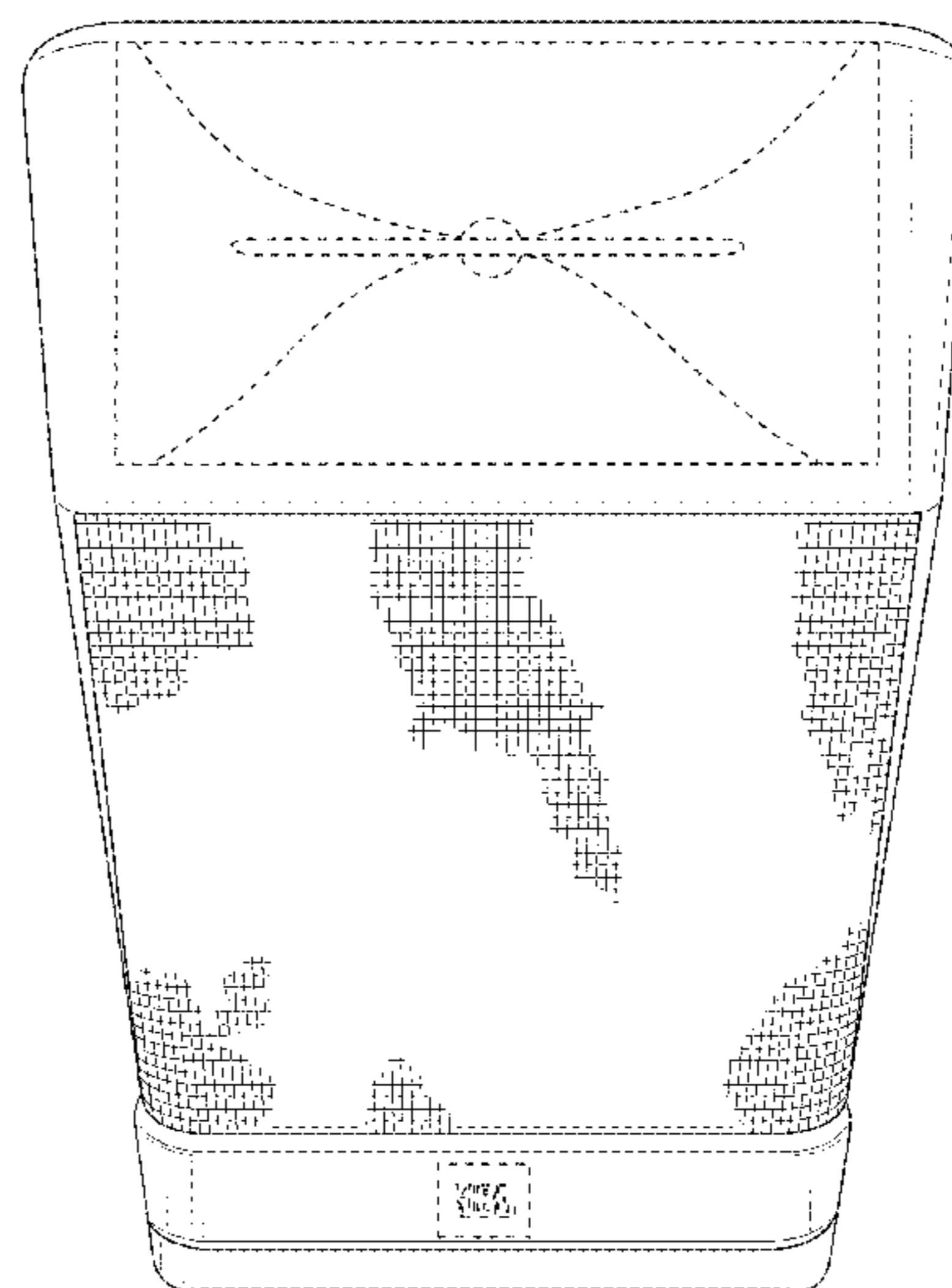
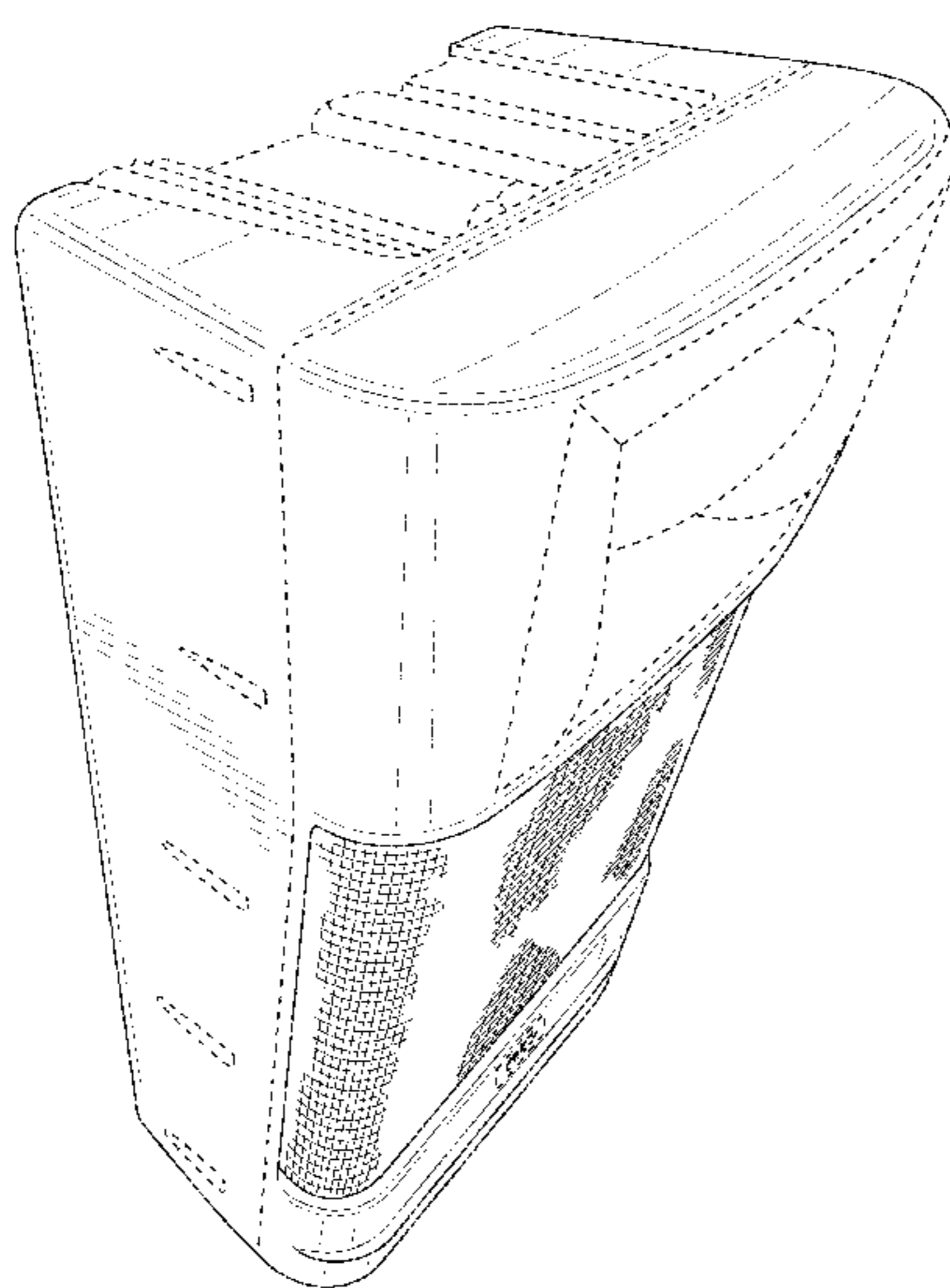
FIG. 6 is a bottom plan view thereof.

The dashed broken lines immediately adjacent to the claimed areas in the views represent the boundaries of the design and form no part thereof.

The broken lines in the figures illustrate the portions of the design that form no part of the claimed design.

None of the broken lines forms any part of the claimed design.

1 Claim, 6 Drawing Sheets



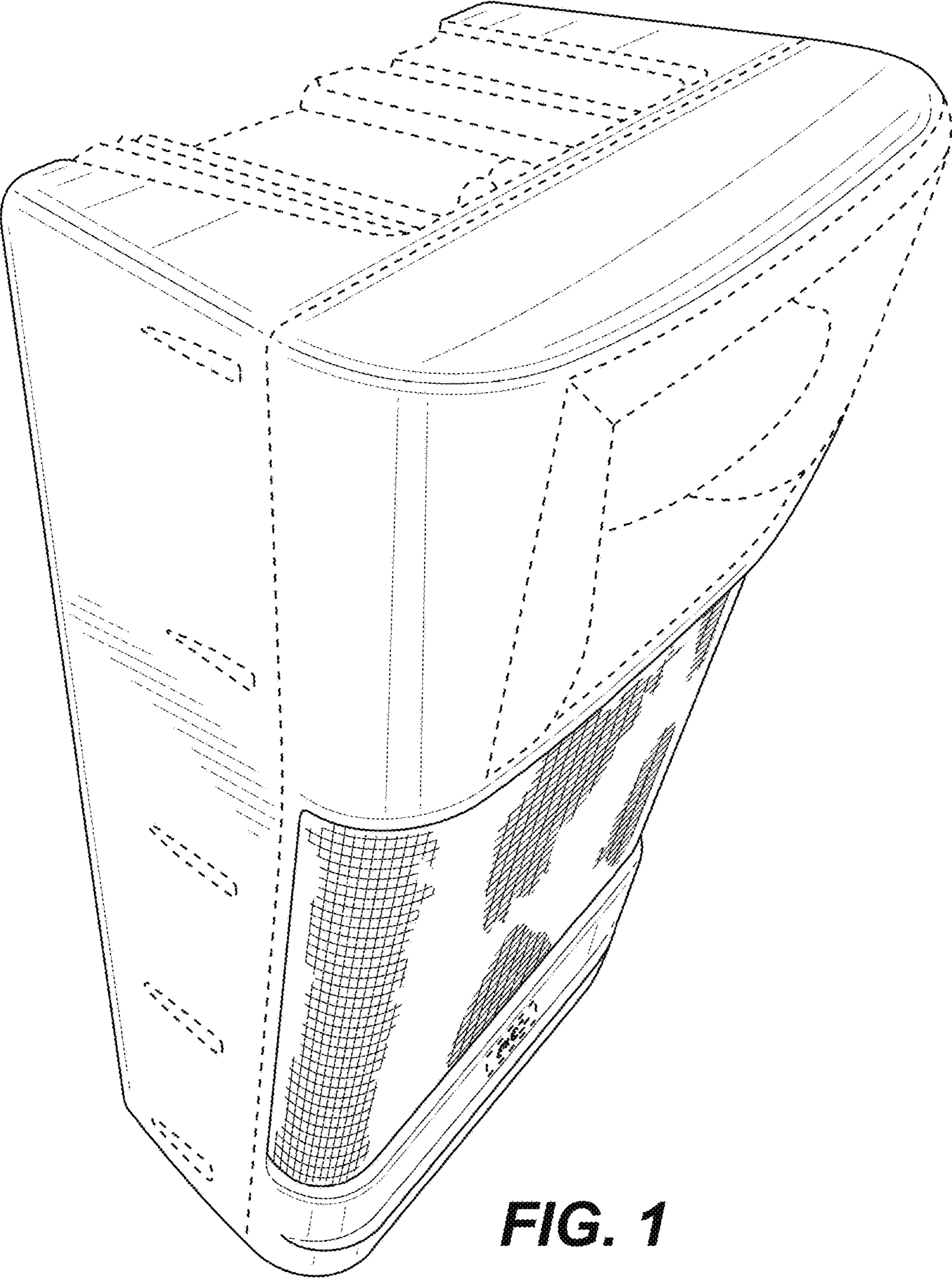


FIG. 1

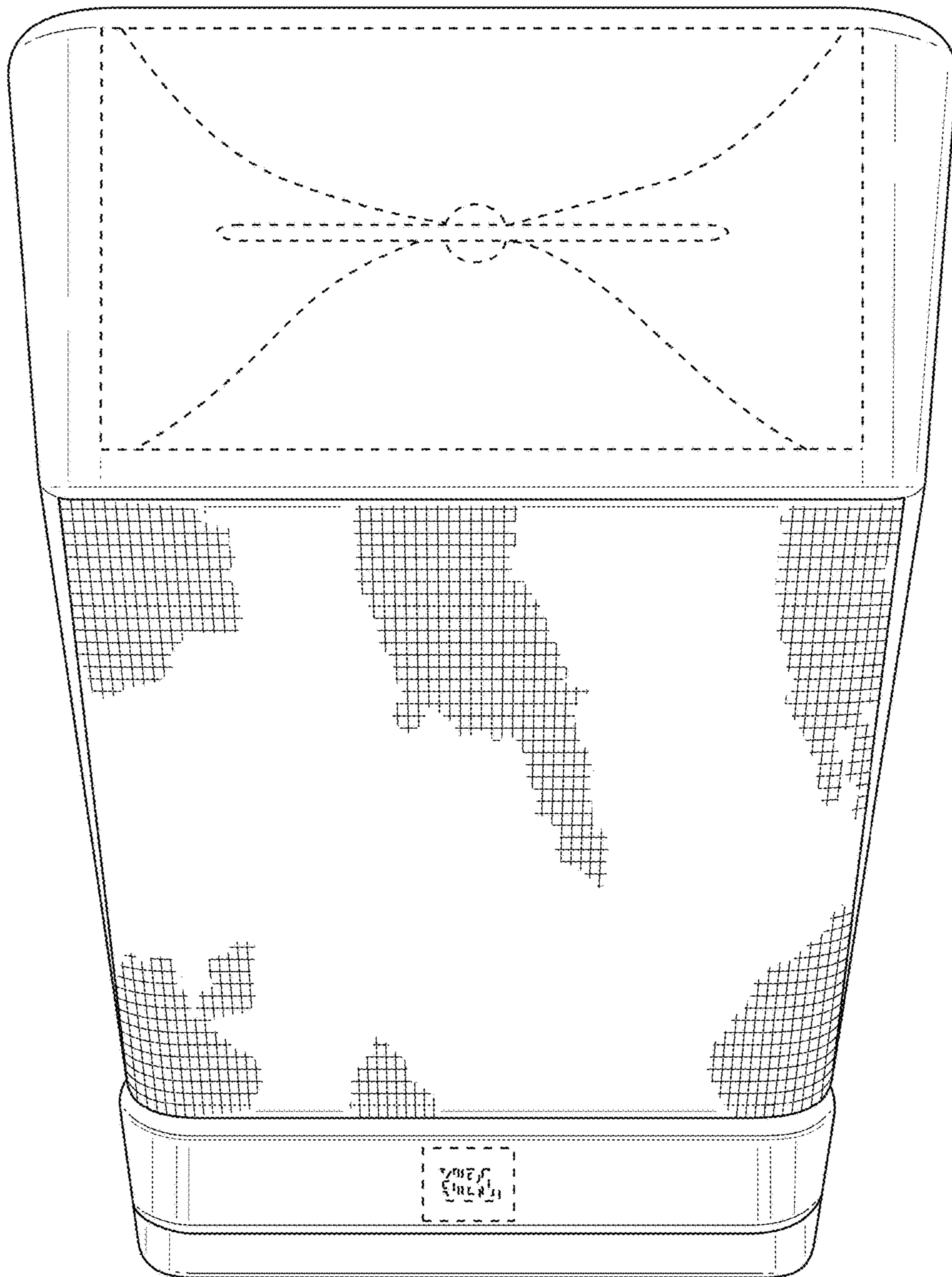


FIG. 2

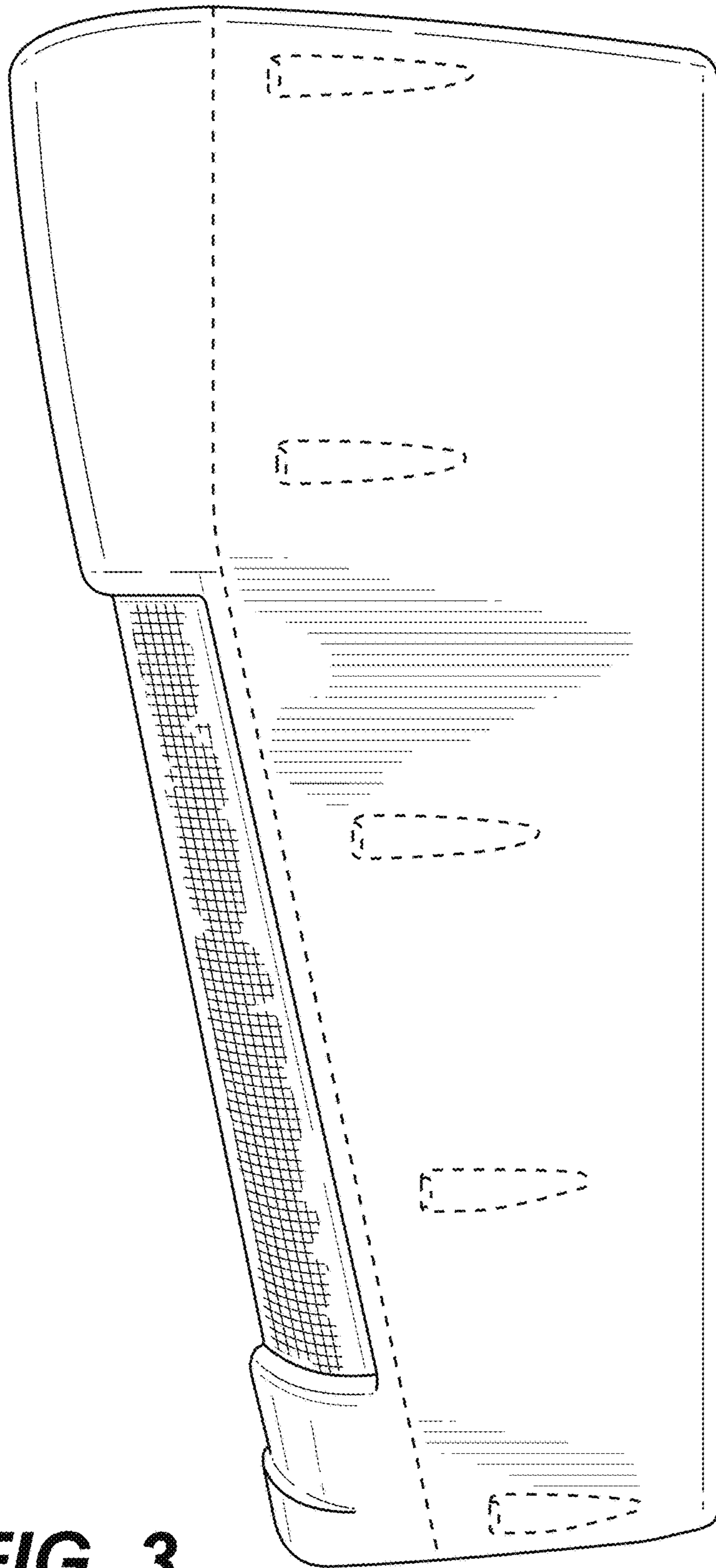


FIG. 3

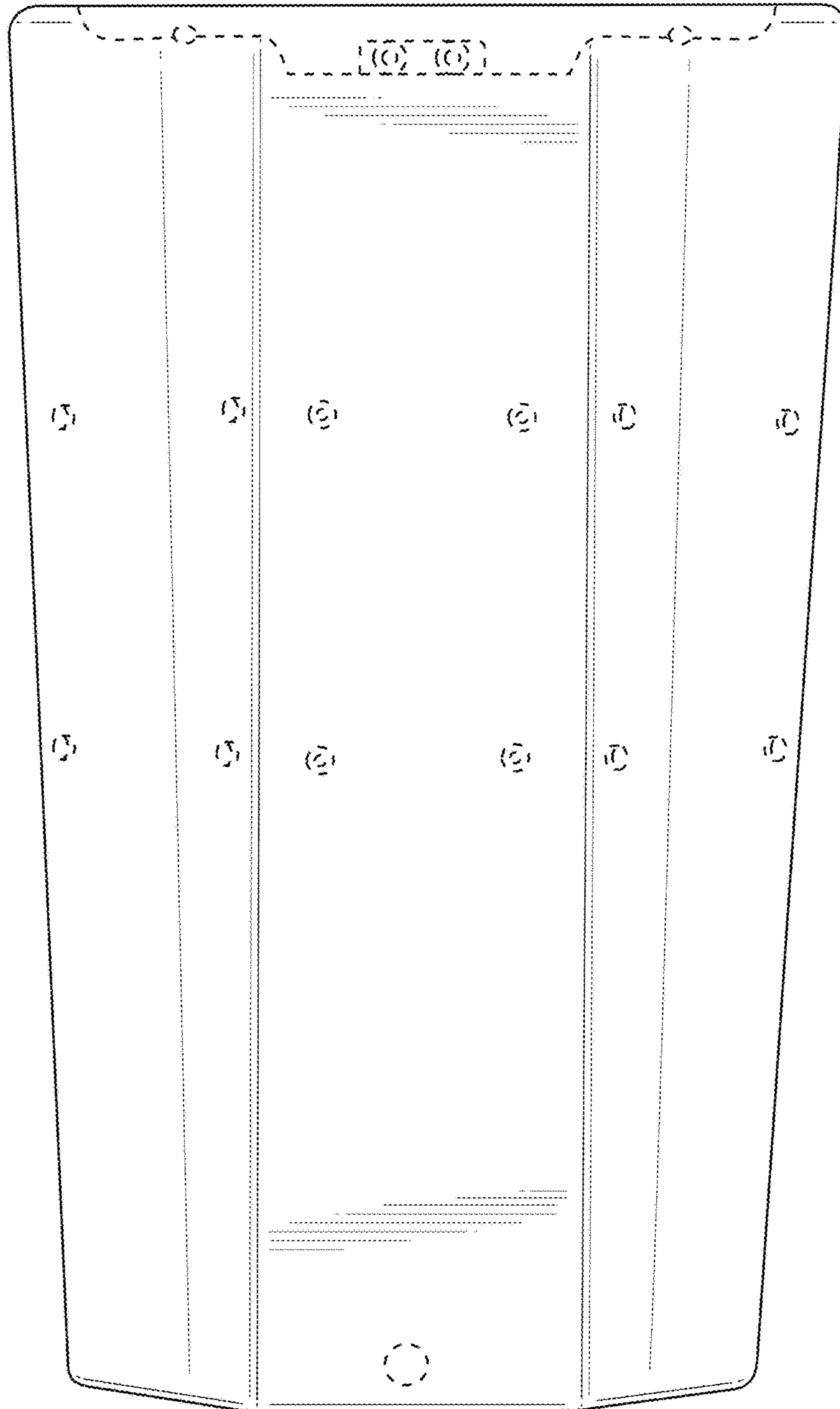


FIG. 4

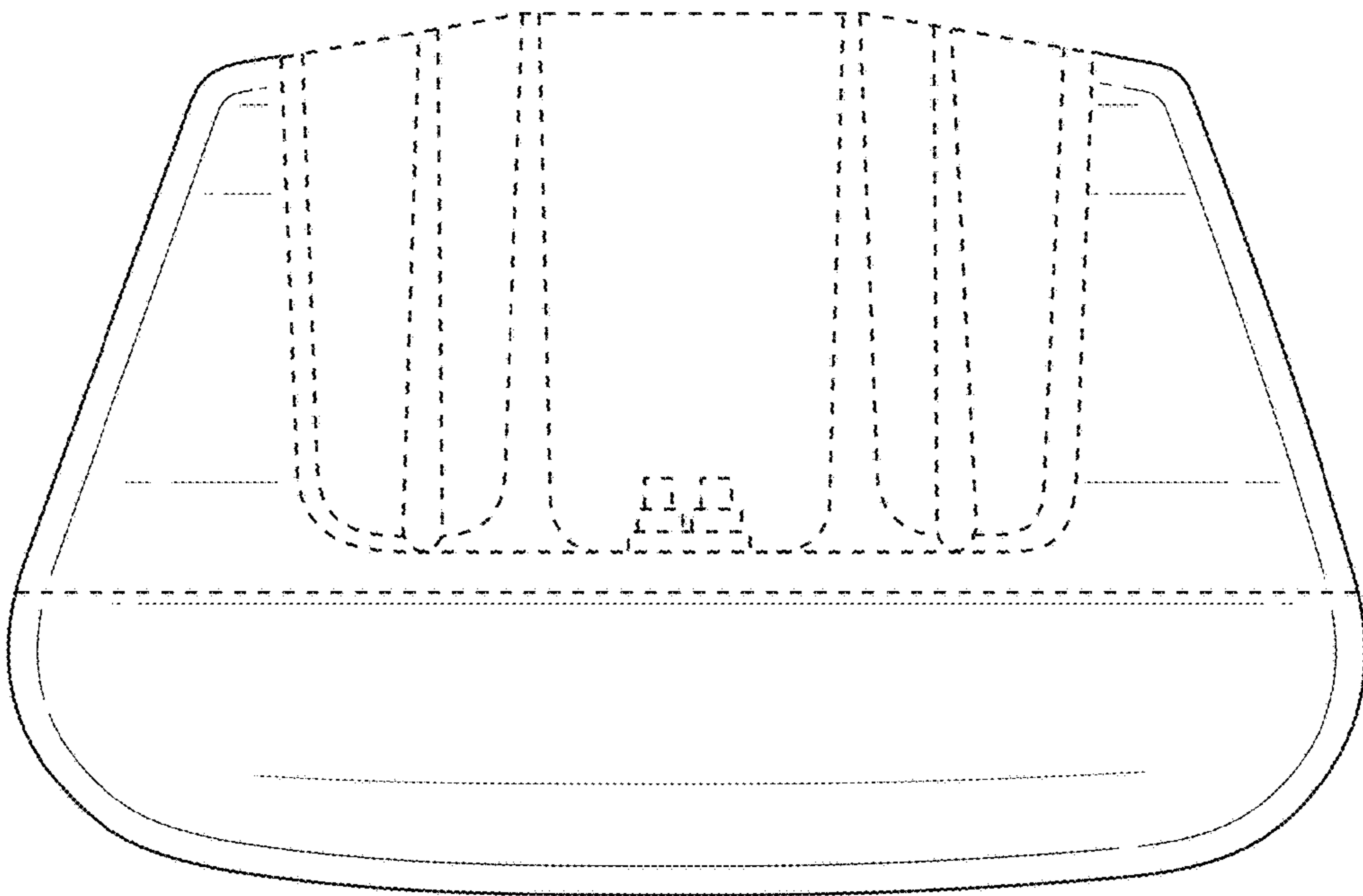


FIG. 5

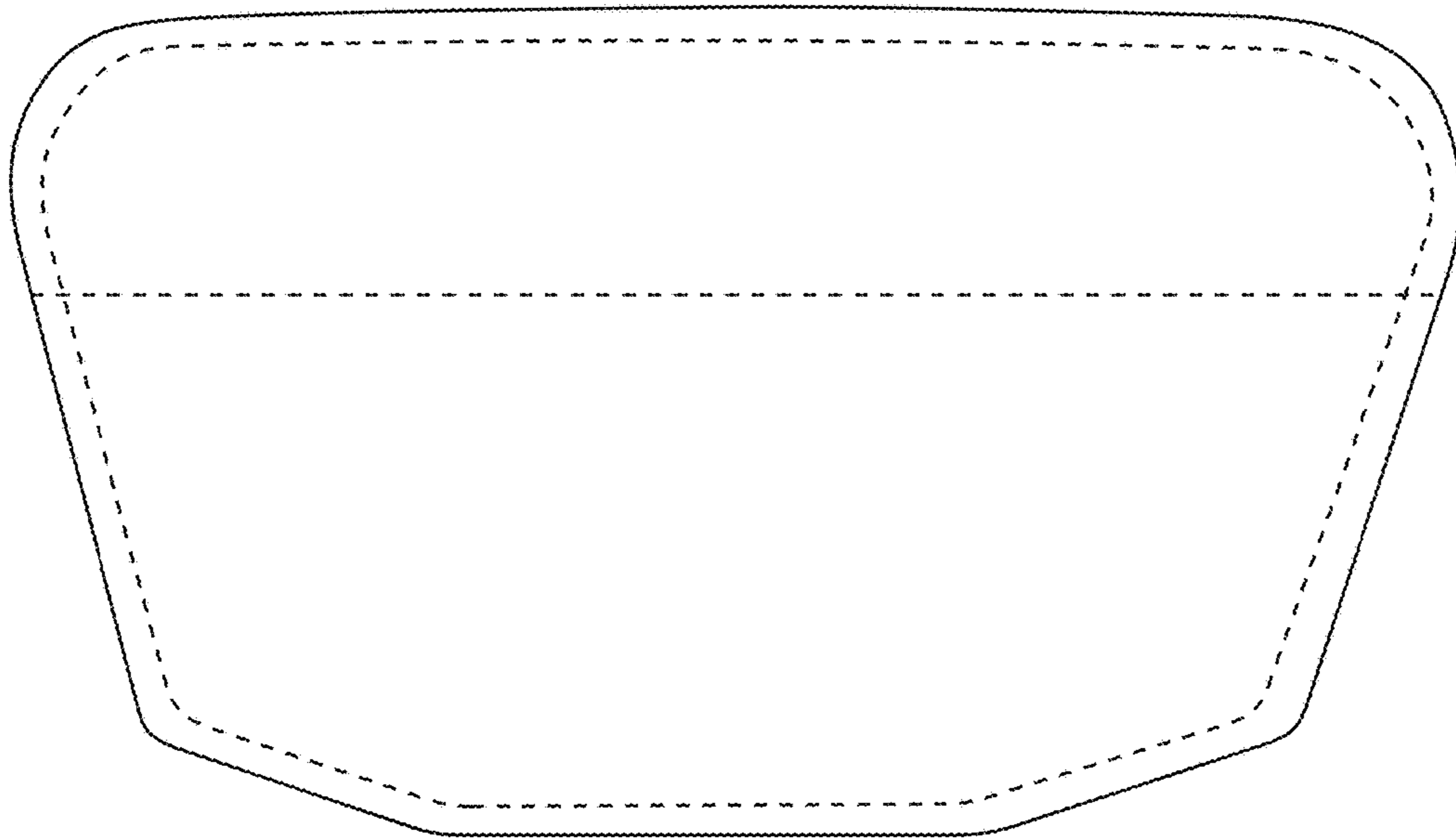


FIG. 6