



US00D806670S

(12) **United States Design Patent**
Fleming, Jr.

(10) **Patent No.:** **US D806,670 S**
(45) **Date of Patent:** **** Jan. 2, 2018**

- (54) **LINEAR SHAPED DIGITAL DISPLAY**
- (71) Applicant: **Nanolumens Acquisition, Inc.**,
Norcross, GA (US)
- (72) Inventor: **Michael C. Fleming, Jr.**, Gainesville,
GA (US)
- (73) Assignee: **NanoLumens Acquisition, Inc.**,
Norcross, GA (US)
- (**) Term: **15 Years**
- (21) Appl. No.: **29/621,214**
- (22) Filed: **Oct. 5, 2017**
- (51) **LOC (11) Cl.** **14-03**
- (52) **U.S. Cl.**
USPC **D14/203.7; D14/496**
- (58) **Field of Classification Search**
USPC D14/371-374, 356, 125-129, 496,
D14/203.1-203.8, 217, 238.1, 448;
D21/324, 218, 329, 332; 273/148 B;
463/1, 29-35, 46, 47; 349/1, 5, 58;
348/40, 41, 576, 635, 639, 651, 739,
348/759-781, 790, 791, 808, 836;
345/634, 256, 280, 530, 204, 2.2, 903,
345/905; D9/418, 432, 424, 425;
220/602, 657, 659
CPC G06F 3/038; G06F 3/32; G06F 3/1446;
G06F 1/1624
See application file for complete search history.

6,414,650 B1	7/2002	Nicholson	
D510,920 S	10/2005	Tandberg	
D519,117 S	4/2006	Lewis	
7,095,387 B2 *	8/2006	Lee	G06F 3/147 345/1.3
7,142,192 B2	11/2006	De Waal	
D579,888 S *	11/2008	Lunde	D14/127
7,495,576 B2	2/2009	Maskeny	
D600,233 S	9/2009	Birsel	
D600,695 S	9/2009	Niitsu et al.	
D615,054 S *	5/2010	Mellingen	D14/127
D616,403 S	5/2010	Roed	
7,782,274 B2 *	8/2010	Manning	G06F 1/1616 345/1.1
D623,621 S	9/2010	Roed	
D624,514 S	9/2010	Roed	
7,823,308 B1	11/2010	Munson	
D633,454 S	3/2011	Mitsubishi	
D649,951 S	12/2011	Roed	
8,152,312 B2	4/2012	Kondo	
D663,707 S	7/2012	Derocher	

(Continued)

Primary Examiner — Prabhakar G Deshmukh
(74) *Attorney, Agent, or Firm* — Theodore Heske, III

(57) **CLAIM**

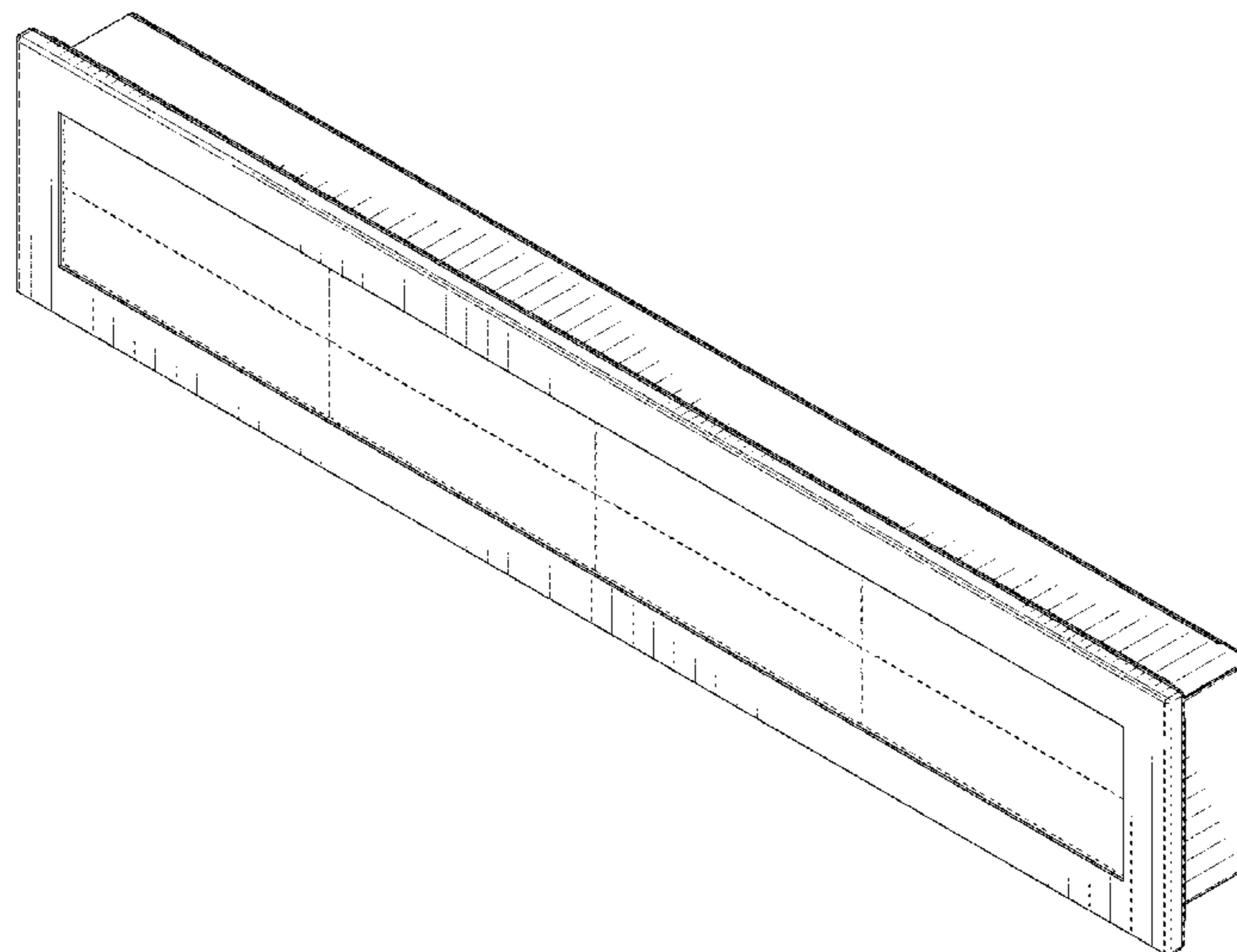
The ornamental design for a linear shaped digital display, as shown and described.

DESCRIPTION

FIG. 1 is a perspective view of a linear shaped digital display showing the design;
FIG. 2 is a rear perspective view thereof;
FIG. 3 is a front elevation view thereof;
FIG. 4 is a rear elevation view thereof;
FIG. 5 is a left elevation view thereof;
FIG. 6 is a right elevation view thereof;
FIG. 7 is a top plan view thereof; and,
FIG. 8 is a bottom plan view thereof.
The broken lines indicate unclaimed portions and form no part of the claimed design.

1 Claim, 4 Drawing Sheets

- (56) **References Cited**
U.S. PATENT DOCUMENTS
- 3,909,525 A 9/1975 Fagan
- 5,128,662 A 7/1992 Failla
- 5,537,127 A 7/1996 Jingu
- 6,189,594 B1 2/2001 Carter
- 6,314,669 B1 11/2001 Tucker



(56)

References Cited

U.S. PATENT DOCUMENTS

8,281,249	B2	10/2012	Nolte	
8,384,616	B2	2/2013	Elliott	
8,582,282	B2	11/2013	Kim et al.	
8,593,578	B1	11/2013	Geronimi	
8,619,414	B2	12/2013	Lee	
8,665,366	B2	3/2014	Lien	
D715,798	S	10/2014	Cruz et al.	
D716,298	S	10/2014	Cruz et al.	
8,863,038	B2*	10/2014	King	G06F 1/1616 345/173
D729,793	S	5/2015	Hickok et al.	
D729,797	S	5/2015	Hickok et al.	
9,030,812	B2	5/2015	Nakamura	
D784,952	S	4/2017	Fleming	

* cited by examiner

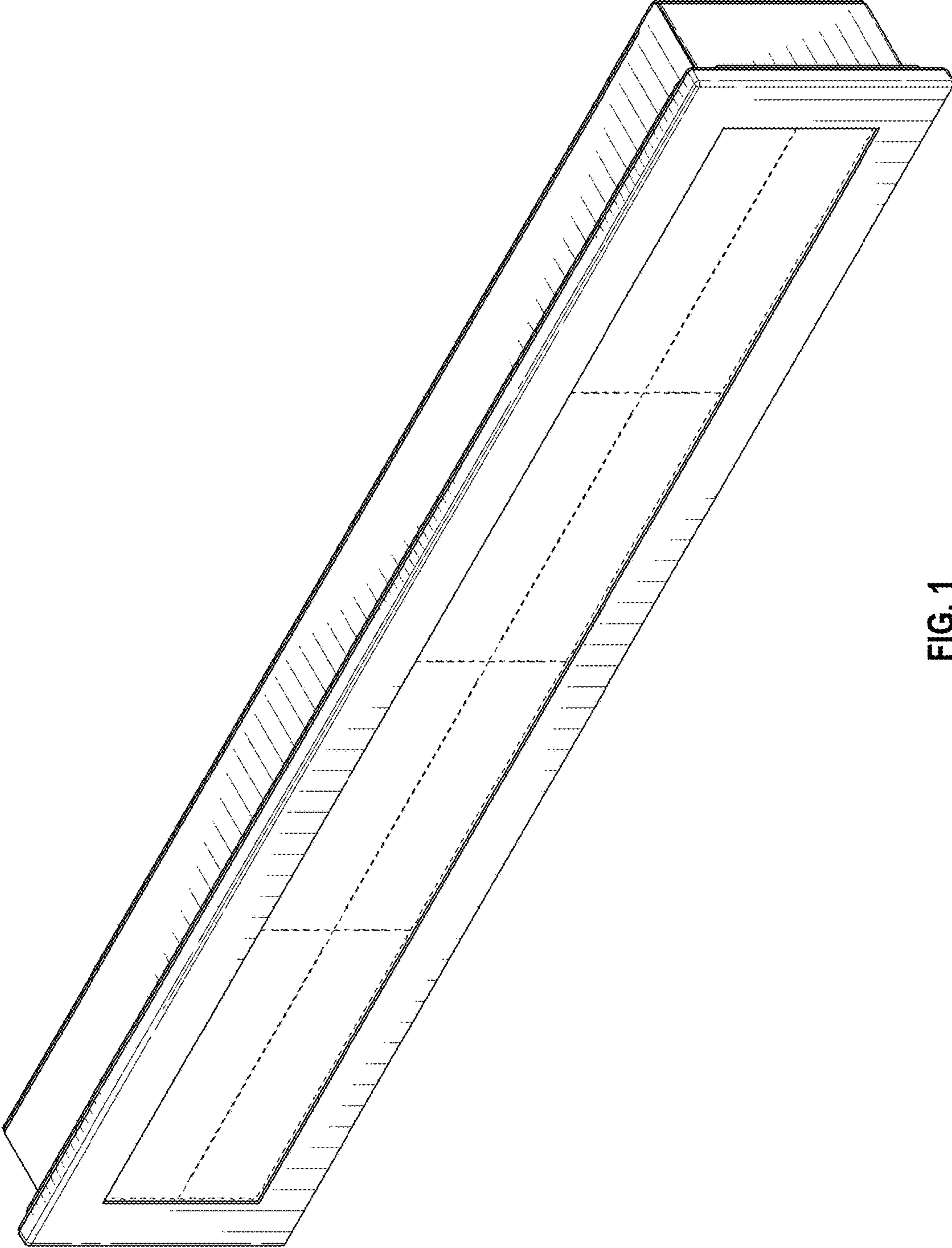


FIG. 1

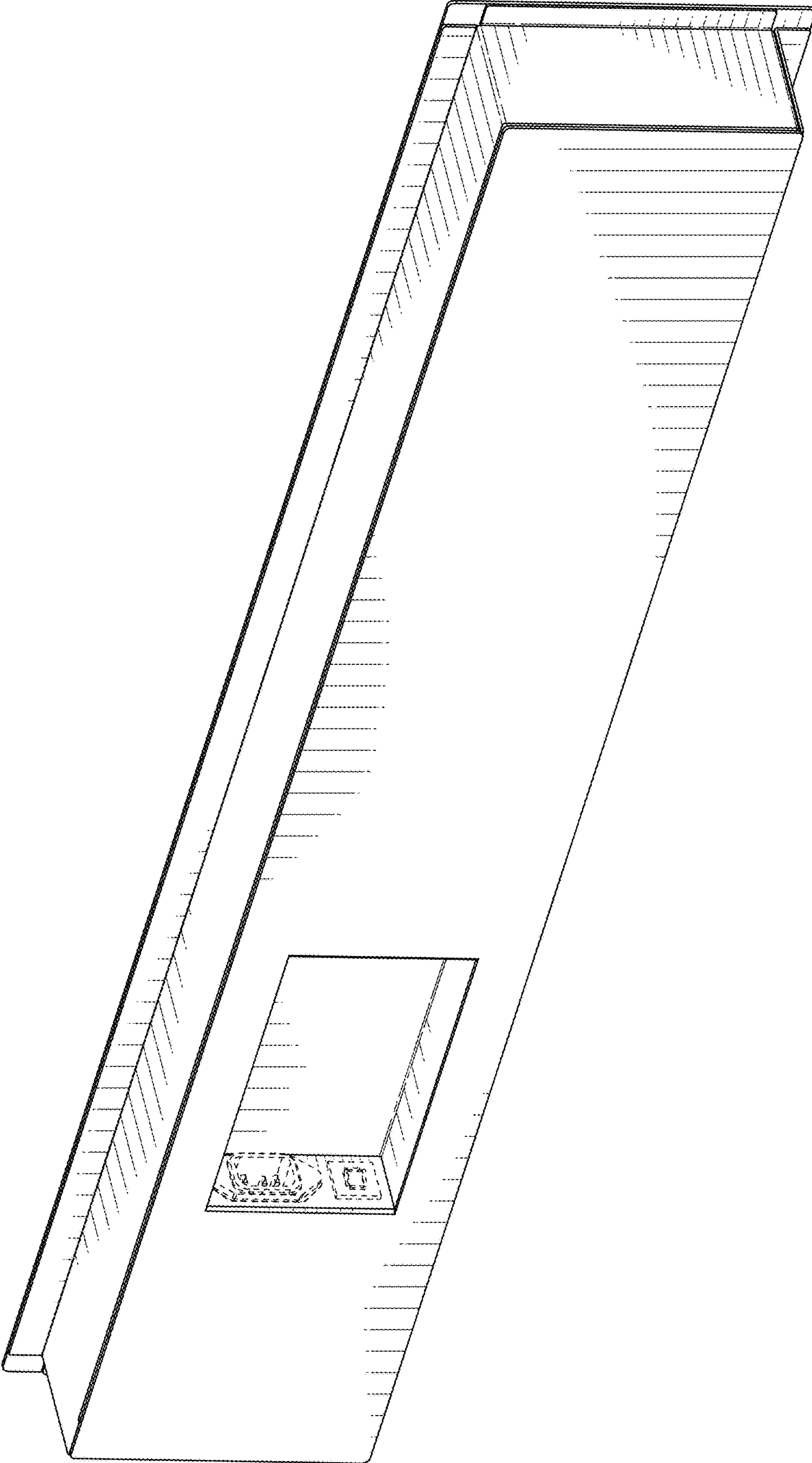


FIG. 2

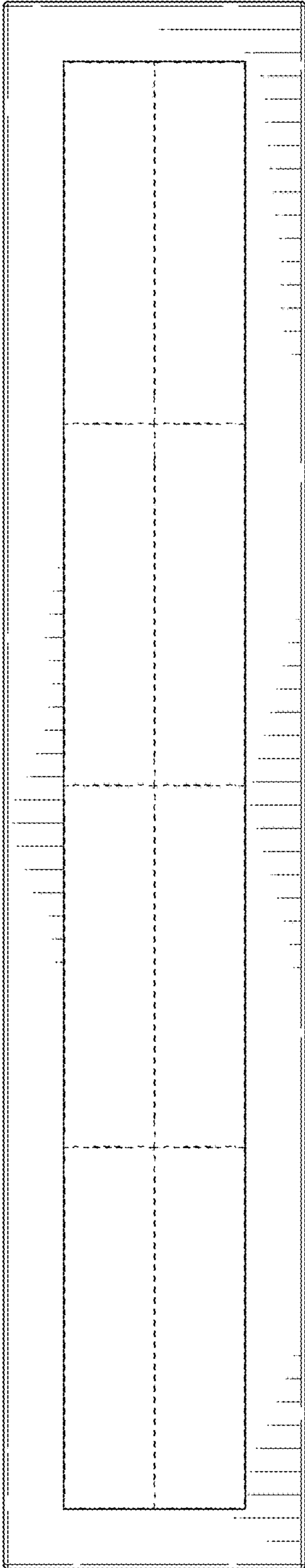


FIG. 3

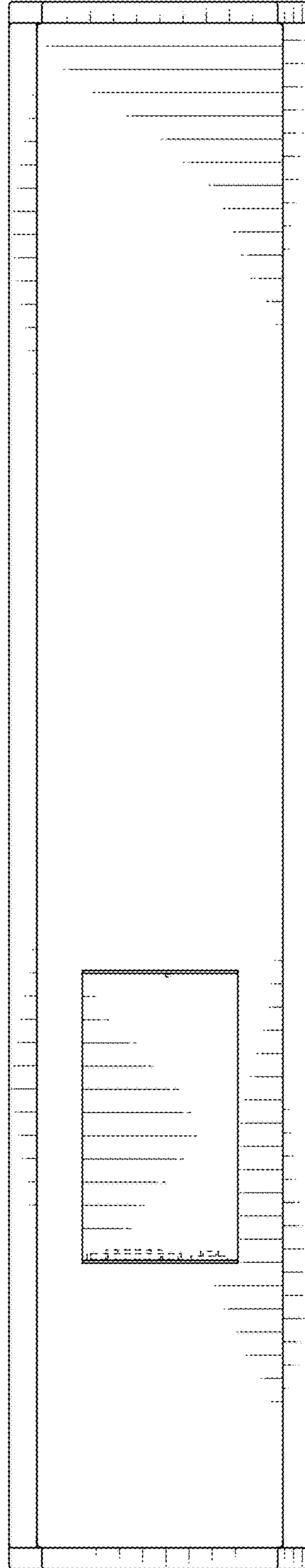


FIG. 4

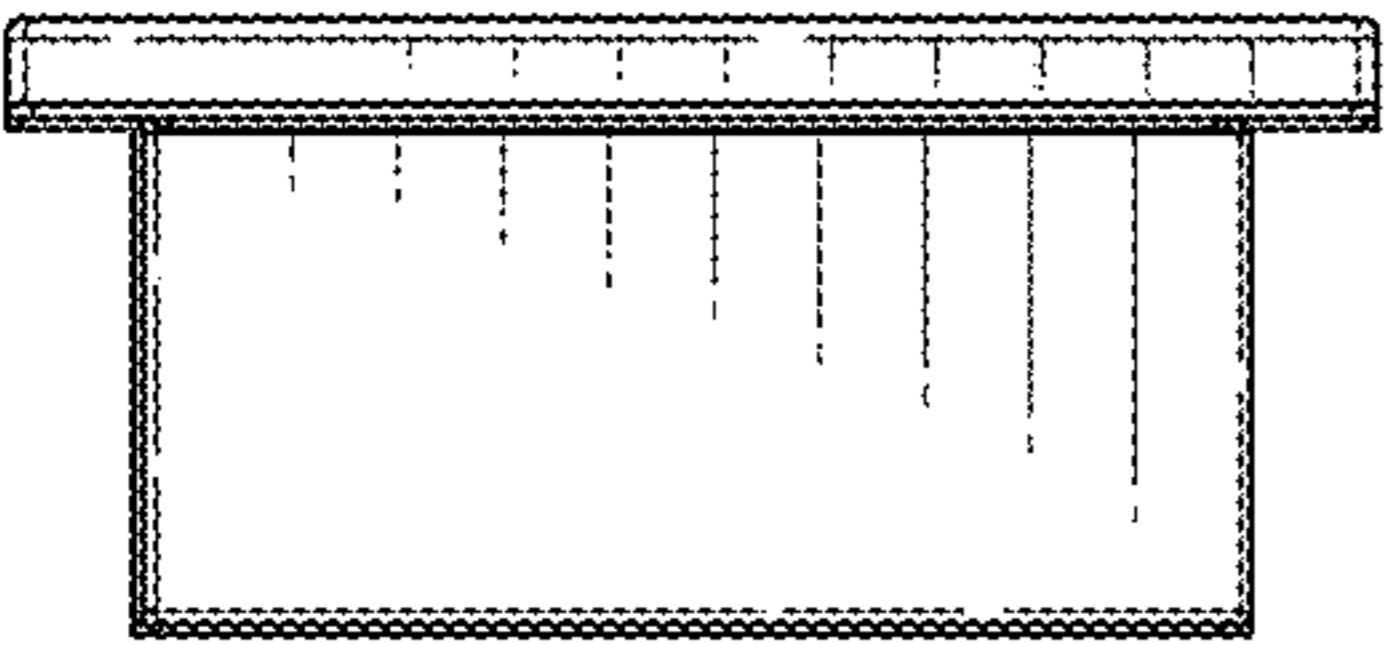


FIG. 5

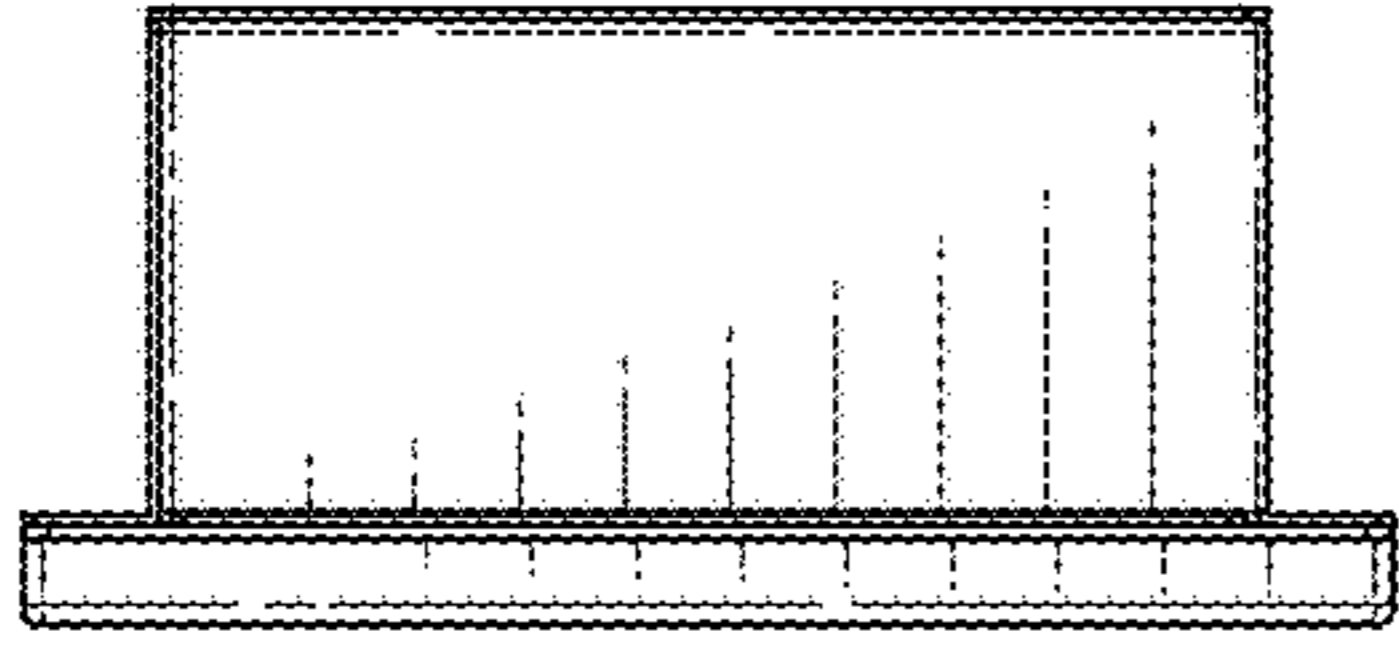


FIG. 6

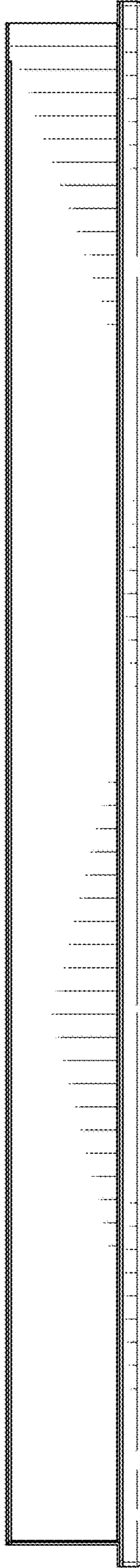


FIG. 7

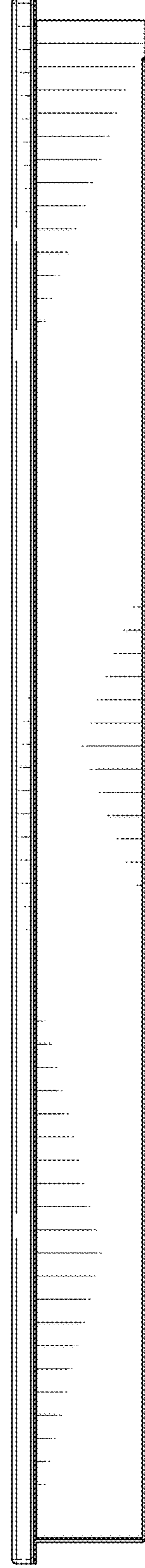


FIG. 8