



US00D806667S

(12) **United States Design Patent** (10) **Patent No.:** **US D806,667 S**  
**Lee et al.** (45) **Date of Patent:** **\*\* Jan. 2, 2018**

(54) **TELEVISION RECEIVER**  
(71) Applicant: **LG ELECTRONICS INC.,** Seoul (KR)  
(72) Inventors: **Eunbong Lee,** Seoul (KR); **Hongseok Kim,** Seoul (KR); **Byungmu Huh,** Seoul (KR)  
(73) Assignee: **LG Electronics Inc.,** Seoul (KR)  
(\*\*) Term: **15 Years**  
(21) Appl. No.: **35/501,324**  
(22) Filed: **Feb. 1, 2016**

(80) **Hague Agreement Data**  
Int. Filing Date: **Feb. 1, 2016**  
Int. Reg. No.: **DM/089532**  
Int. Reg. Date: **Feb. 1, 2016**  
Int. Reg. Pub. Date: **Aug. 5, 2016**

(30) **Foreign Application Priority Data**  
Aug. 5, 2015 (KR) ..... 30-2015-0039662  
(51) **LOC (11) Cl.** ..... **14-03**  
(52) **U.S. Cl.**  
USPC ..... **D14/126**  
(58) **Field of Classification Search**  
USPC ..... D14/125-134, 136, 159, 239, 336, 342, D14/371, 374-377, 440, 448, 450; D21/329, 515, 577, 622  
CPC ... G06F 1/1601; G06F 1/1643; H05K 5/0004; H05K 5/0017; H05K 5/02; H05K 5/0217  
See application file for complete search history.

(56) **References Cited**  
**U.S. PATENT DOCUMENTS**  
D729,755 S \* 5/2015 McManigal ..... D14/126  
D735,153 S \* 7/2015 Snyder ..... D14/126

D747,693 S \* 1/2016 Won ..... D14/126  
D748,070 S \* 1/2016 Hotta ..... D14/126  
D748,596 S \* 2/2016 McManigal ..... D14/126  
D749,532 S \* 2/2016 McManigal ..... D14/126  
D751,519 S \* 3/2016 Ma ..... D14/126  
D753,619 S \* 4/2016 Itai ..... D14/126  
D755,138 S \* 5/2016 Kim ..... D14/126  
D765,049 S \* 8/2016 Tanimura ..... D14/126  
D778,854 S \* 2/2017 Lee ..... D14/126  
D778,855 S \* 2/2017 Lee ..... D14/126  
D778,856 S \* 2/2017 Yokota ..... D14/126  
D782,431 S \* 3/2017 Lee ..... D14/126  
D782,433 S \* 3/2017 Lee ..... D14/126  
D782,434 S \* 3/2017 Kim ..... D14/126  
D782,991 S \* 4/2017 Kim ..... D14/126  
D783,555 S \* 4/2017 Cho ..... D14/126  
D783,556 S \* 4/2017 Woo ..... D14/126  
D785,581 S \* 5/2017 McManigal ..... D14/126  
D786,812 S \* 5/2017 McManigal ..... D14/126  
D786,813 S \* 5/2017 McManigal ..... D14/126

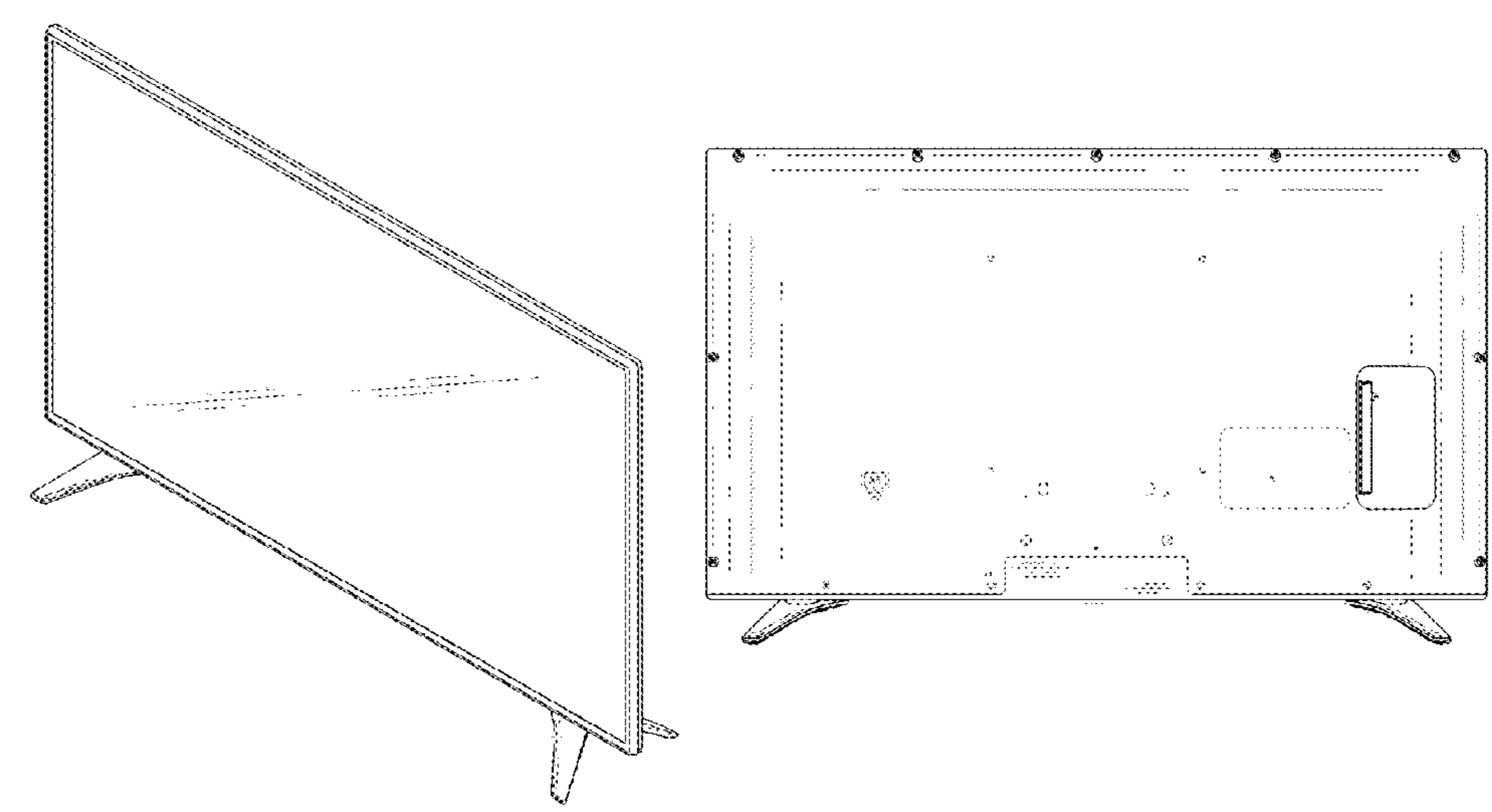
(Continued)

*Primary Examiner* — Barbara Fox  
*Assistant Examiner* — Holly E Thurman  
(74) *Attorney, Agent, or Firm* — Birch, Stewart, Kolasch & Birch, LLP

(57) **CLAIM**  
The ornamental design for a television receiver, as shown and described.

**DESCRIPTION**  
1. Television receiver  
1.1 : Perspective  
1.2 : Front  
1.3 : Back  
1.4 : Left  
1.5 : Right  
1.6 : Top  
1.7 : Bottom  
The broken lines shown in the figures depict unclaimed portions of the television receiver and form no part of the claimed design.

**1 Claim, 6 Drawing Sheets**



(56)

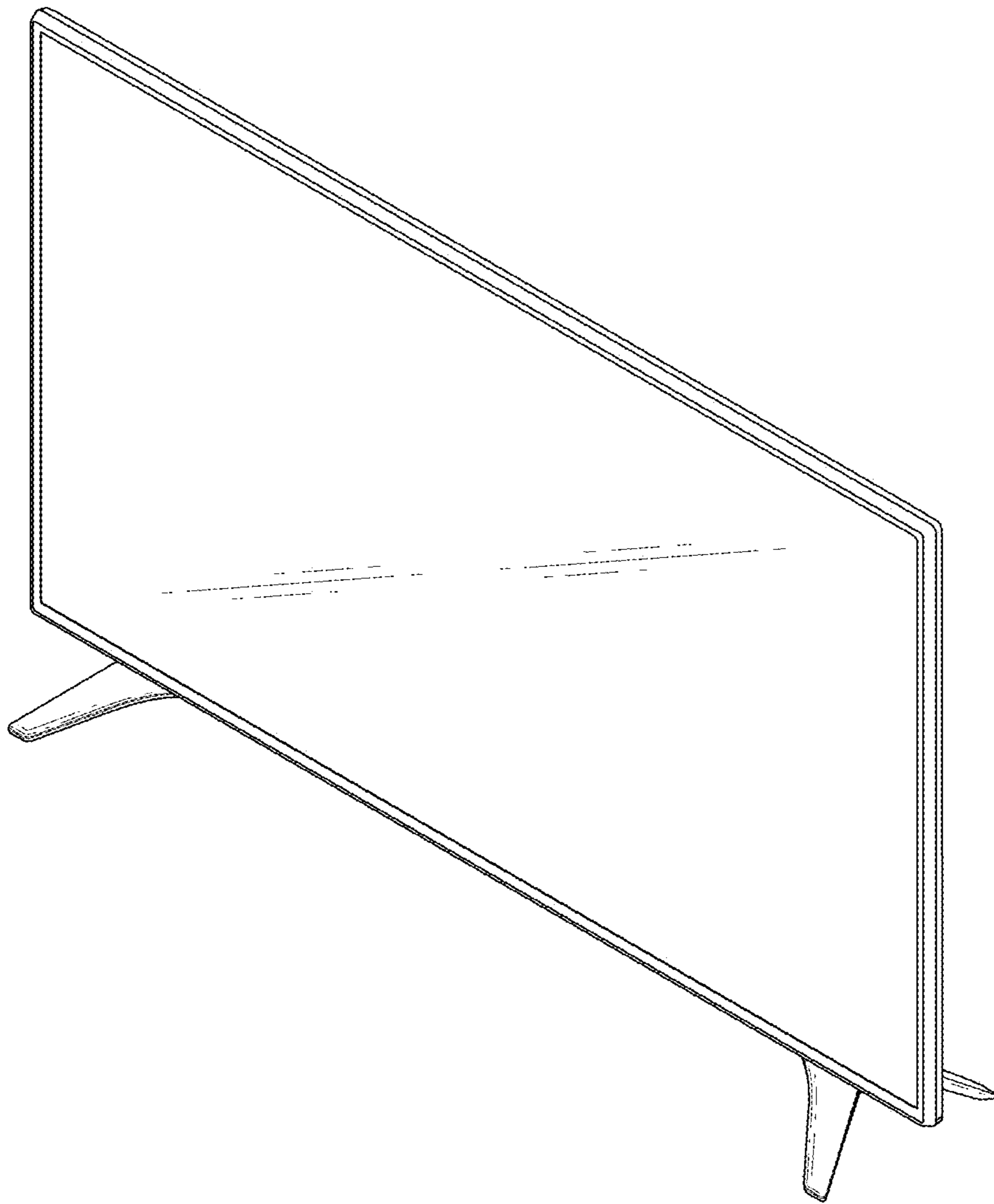
**References Cited**

U.S. PATENT DOCUMENTS

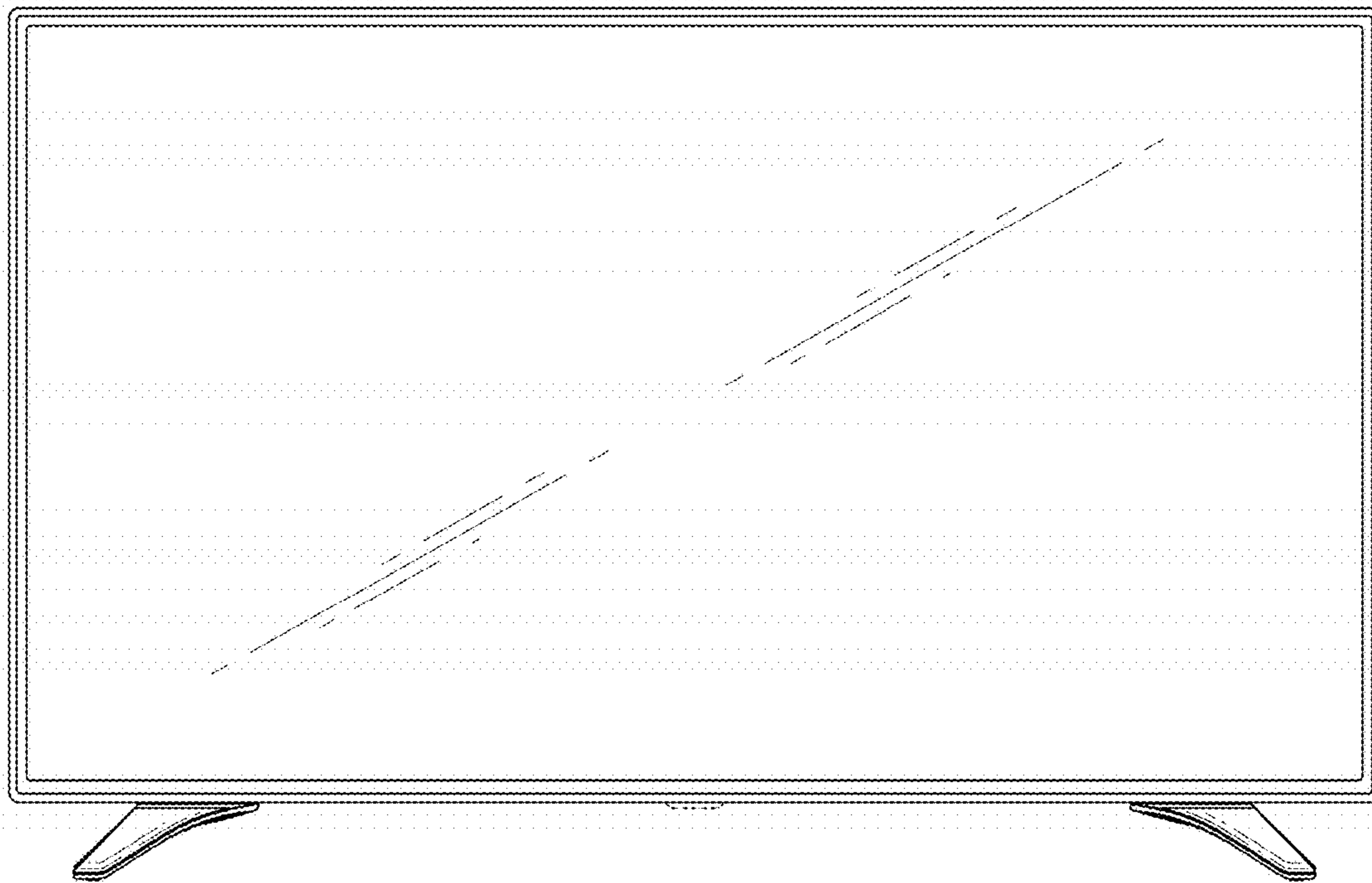
D787,462 S *	5/2017	Shiono .....	D14/126
D790,493 S *	6/2017	Han .....	D14/126
D791,094 S *	7/2017	Han .....	D14/126
D792,361 S *	7/2017	Han .....	D14/126

\* cited by examiner

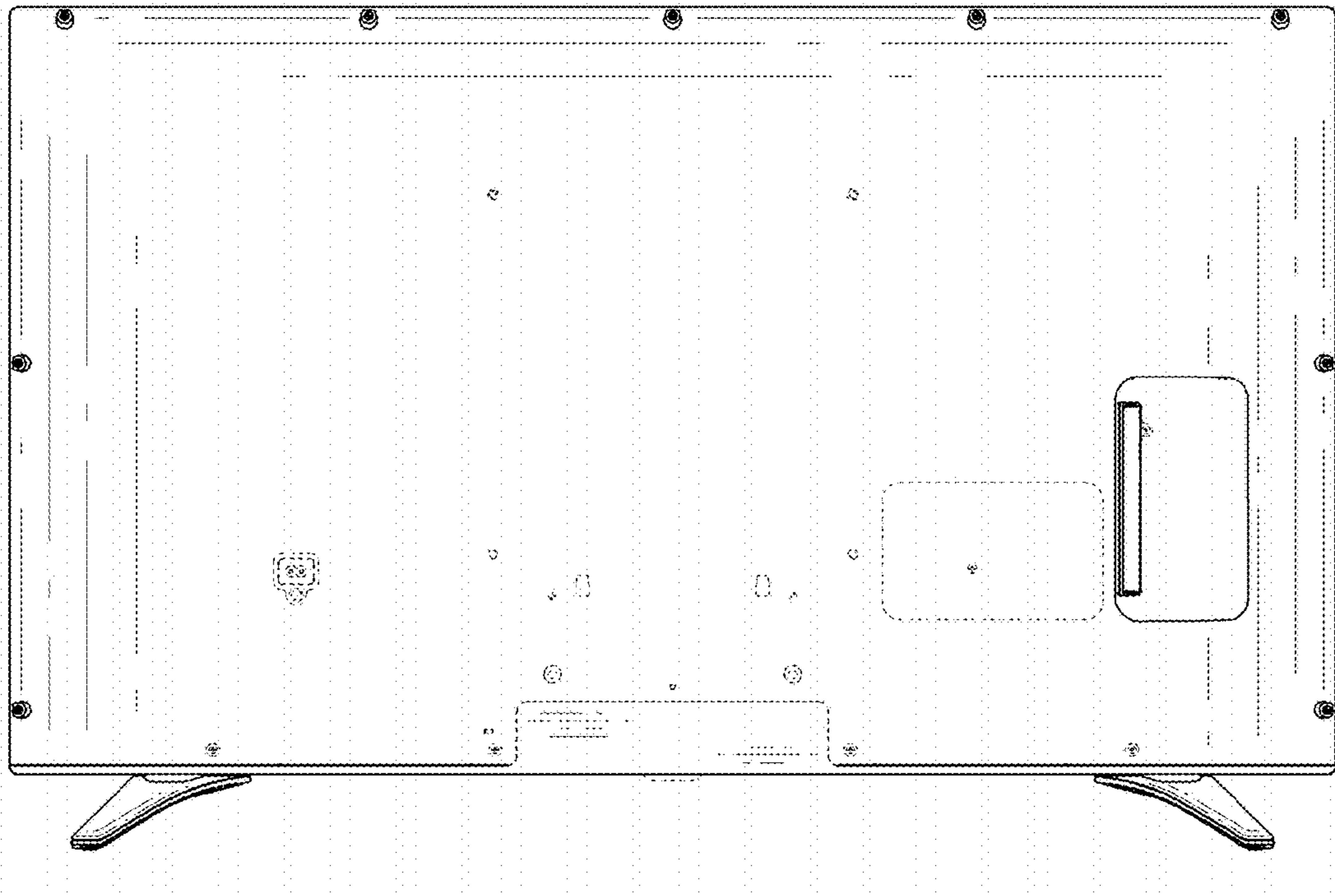
1.1



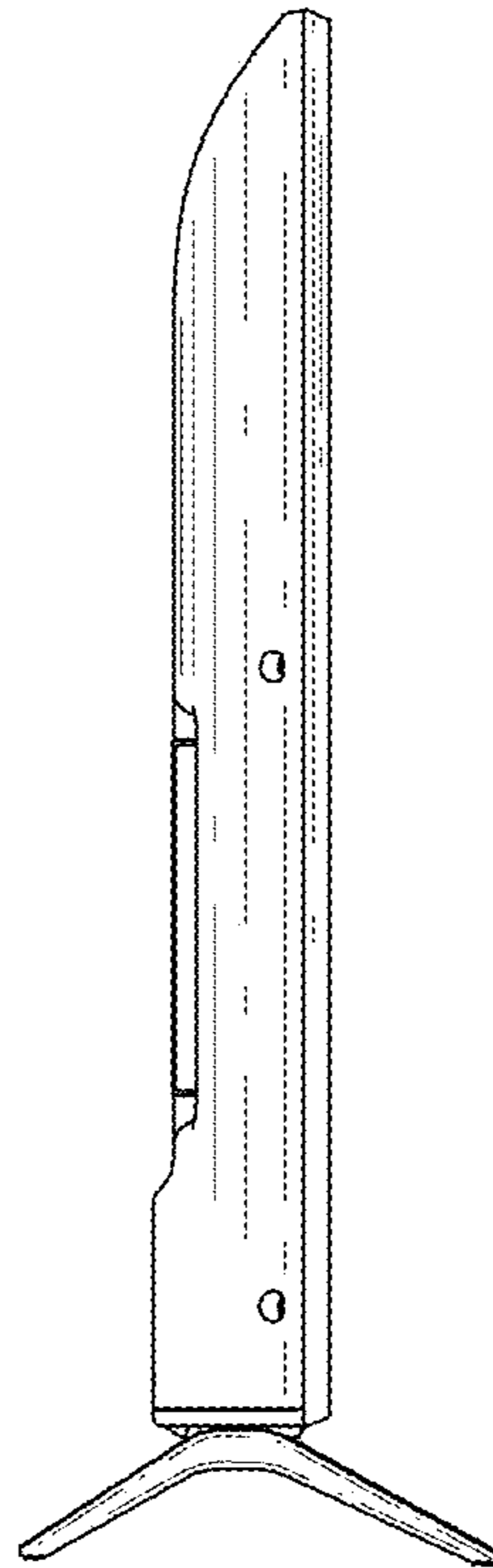
1.2



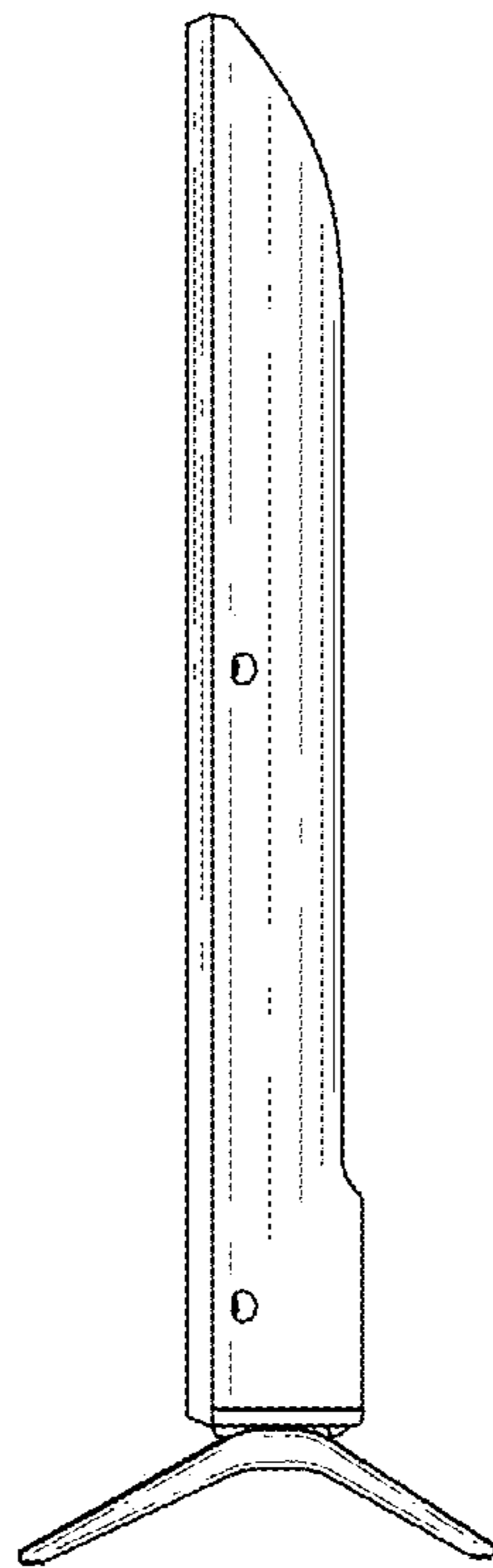
1.3



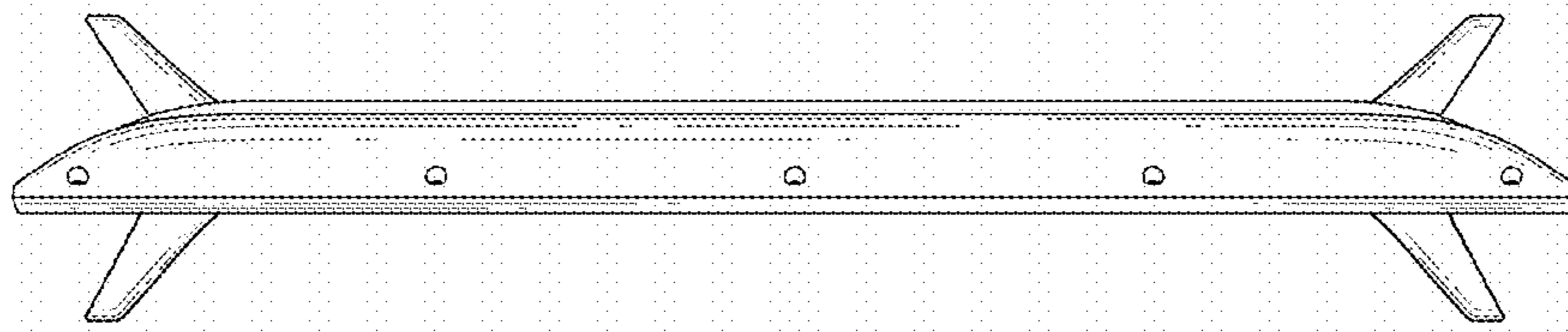
1.4



1.5



1.6



1.7

