



US00D806663S

(12) **United States Design Patent** (10) **Patent No.:** **US D806,663 S**
Lee et al. (45) **Date of Patent:** **** Jan. 2, 2018**

(54) **TELEVISION**

(71) Applicant: **Samsung Electronics Co., Ltd.**,
Suwon-si (KR)

(72) Inventors: **Sangyoung Lee**, Anyang-si (KR); **Jihye Lee**, Seoul (KR); **Searom Jung**, Seoul (KR); **Daejoong Kim**, Seoul (KR); **Jisoo Lim**, Seoul (KR); **Jeasung Kim**, Hwaseong-si (KR); **Joonyoung Lee**, Seoul (KR); **Hyungsun Lee**, Yongin-si (KR); **Heeseok Jeong**, Suwon-si (KR); **Kyuhyun Cho**, Suwon-si (KR); **Shiyun Cho**, Anyang-si (KR); **Younho Choi**, Seoul (KR)

(73) Assignee: **Samsung Electronics Co., Ltd.**,
Suwon-si (KR)

(**) Term: **15 Years**

(21) Appl. No.: **29/565,084**

(22) Filed: **May 18, 2016**

(30) **Foreign Application Priority Data**

Nov. 18, 2015 (KR) 30-2015-0058005

(51) **LOC (11) Cl.** **14-03**

(52) **U.S. Cl.**
USPC **D14/126; D14/129**

(58) **Field of Classification Search**
USPC D14/125-134, 239, 371, 374-377, 448,
D14/450, 451, 336, 342, 168, 496, 299;
D21/329, 515, 577; D10/15, 26;
D6/300, 312; D20/10, 19, 21, 27, 39;
D16/203, 241, 221, 235; D19/113, 114
CPC G06F 1/1601; G06F 1/1637; G06F 1/1652;
G06F 1/1647; G09F 15/0025; G09F
15/0062; G09F 15/0068; G09F 17/00;
H04N 5/64; H04N 5/645; H04N 5/655;
H05K 5/00; H05K 5/0017; H05K 5/02;
H05K 5/0204

See application file for complete search history.

(56) **References Cited**

U.S. PATENT DOCUMENTS

D104,569 S * 5/1937 Hammer D20/10
D104,570 S * 5/1937 Hammer D20/10

(Continued)

FOREIGN PATENT DOCUMENTS

KR 30-2010-0032353 9/2011
KR 30-2014-0023516 12/2014

OTHER PUBLICATIONS

worlds-largest-fully-retractable-led-tv-cseed201. twistedsifter.com.
[online] 12 pgs. Posted Nov. 13, 2012 [Retrieved on Aug. 14, 2017]
<http://twistedsifter.com/2012/11/worlds-largest-fully-retractable-led-tv-cseed201/>.*

(Continued)

Primary Examiner — Susan Bennett Hattan

Assistant Examiner — Marie D. Fast Horse

(74) *Attorney, Agent, or Firm* — NSIP Law

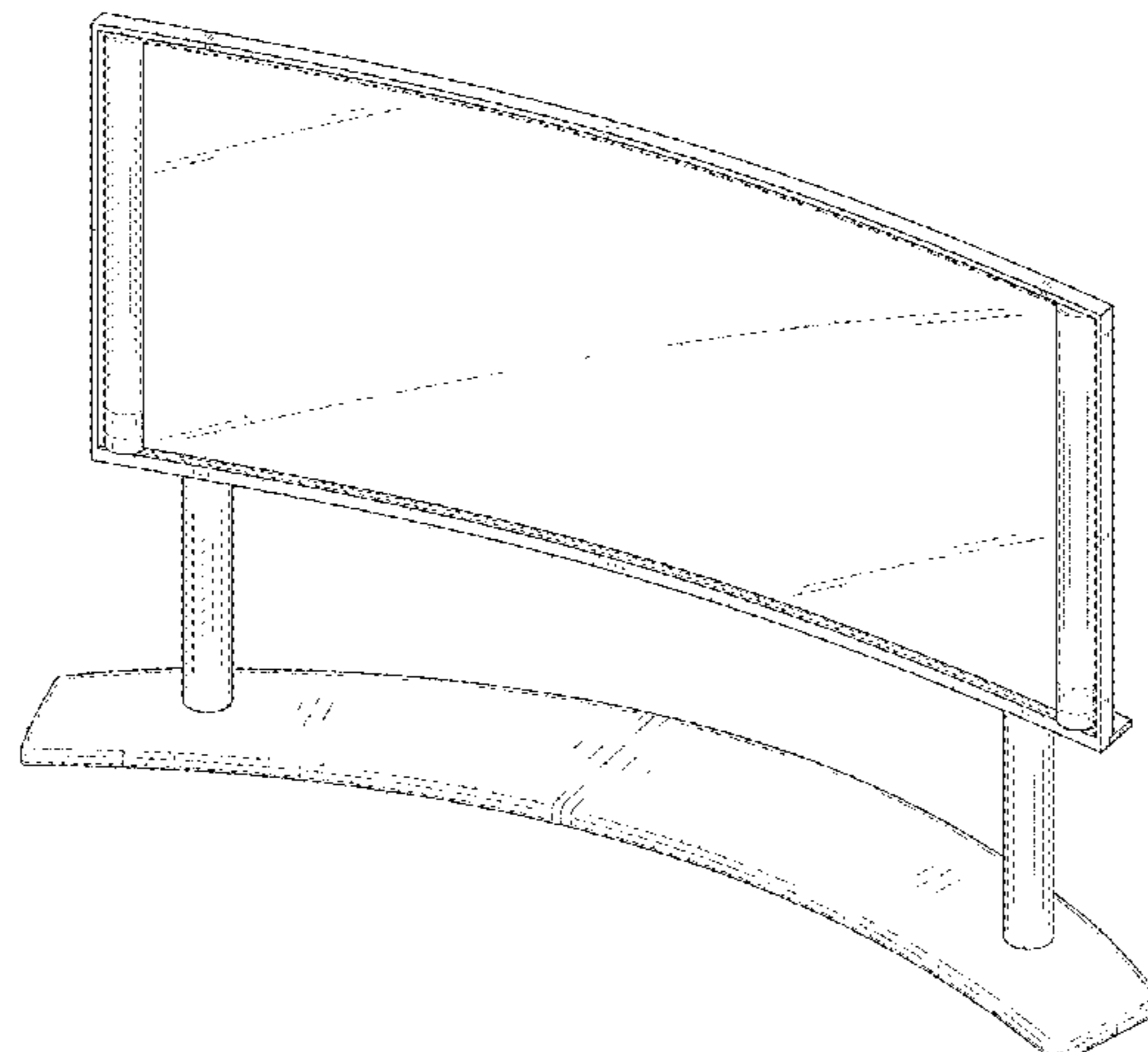
(57) **CLAIM**

We claim the ornamental design for a television, as shown and described.

DESCRIPTION

FIG. 1 is a front perspective view of a television showing our new design;
FIG. 2 is a front view thereof;
FIG. 3 is a rear view thereof;
FIG. 4 is a left-side view thereof;
FIG. 5 is a right-side view thereof;
FIG. 6 is a top view thereof; and,
FIG. 7 is a bottom view thereof.
The broken lines in the figures show portions of the television which form no part of the claimed design.

1 Claim, 7 Drawing Sheets



(56)

References Cited

U.S. PATENT DOCUMENTS

D290,702 S * 7/1987 Stern D14/375
 D306,660 S * 3/1990 Di Cesare D6/300
 D310,388 S * 9/1990 Crawford D20/10
 D316,569 S * 4/1991 Leggate D20/10
 D339,168 S * 9/1993 Gerhart D20/21
 D343,396 S * 1/1994 Yamashita D14/128
 D361,897 S * 9/1995 Jackson D6/300
 D366,055 S * 1/1996 Matsunaga 160/24
 D395,677 S * 6/1998 Gongora D20/10
 D408,458 S * 4/1999 Hempel D20/10
 D415,205 S * 10/1999 Canton Gongora D20/10
 D435,270 S * 12/2000 Healy D20/10
 D497,166 S * 10/2004 Vick D14/375
 D500,805 S * 1/2005 Hinds D20/19
 D518,109 S * 3/2006 Opolka D20/42
 D520,046 S * 5/2006 Miyagawa D16/241
 D520,060 S * 5/2006 Kato D16/235
 D525,603 S * 7/2006 Williams D14/126
 D525,957 S * 8/2006 Rashid D14/126
 D548,765 S * 8/2007 Kotera D16/235
 D568,364 S * 5/2008 Jeoung D16/241
 D587,315 S * 2/2009 Piantanida D20/39
 7,489,444 B1 * 2/2009 Adams G03B 21/60
 359/461
 D587,760 S * 3/2009 Miranda D20/39
 D594,894 S * 6/2009 Adams D16/241
 D607,916 S * 1/2010 Orion D16/241
 D616,029 S * 5/2010 Maier-Hunke D20/10
 D633,147 S * 2/2011 Parshad D19/86
 D645,090 S * 9/2011 Gimpel D20/10
 8,376,581 B2 * 2/2013 Auld G09F 9/33
 340/815.45
 D684,209 S * 6/2013 Measom D16/241
 D685,837 S * 7/2013 Measom D16/241
 D726,137 S * 4/2015 Lee D14/126
 D727,275 S * 4/2015 Zheng D14/126
 D727,866 S * 4/2015 Ryu D14/126
 D735,709 S * 8/2015 Daniel D14/341
 D754,085 S * 4/2016 Son D14/126
 D755,137 S * 5/2016 Won D14/126
 D758,988 S * 6/2016 An D14/138 R
 D759,620 S * 6/2016 Kim D14/126
 D762,601 S * 8/2016 Seo D14/126
 D763,356 S * 8/2016 Takayama D20/10
 D766,852 S * 9/2016 Seo D14/126
 D766,857 S * 9/2016 Won D14/126
 D766,858 S * 9/2016 Lee D14/126
 D773,417 S * 12/2016 Kim D14/126
 D773,866 S * 12/2016 Hogberg D6/681
 D774,509 S * 12/2016 Covello D14/374
 D776,072 S * 1/2017 Kim D14/126
 D776,631 S * 1/2017 Kim D14/126
 D780,138 S * 2/2017 Lee D14/126
 D781,283 S * 3/2017 Son D14/336
 D783,553 S * 4/2017 Kim D14/126
 D784,941 S * 4/2017 Lee D14/126

D784,984 S * 4/2017 Lim D14/374
 D785,071 S * 4/2017 Measom D16/241
 D785,582 S * 5/2017 Lee D14/126
 D785,607 S * 5/2017 Lee D14/126
 D786,814 S * 5/2017 Lee D14/126
 D786,842 S * 5/2017 Lee D14/126
 D788,052 S * 5/2017 Choi D14/126
 D791,130 S * 7/2017 Oh D14/374
 2008/0212271 A1 * 9/2008 Misawa G02F 1/133305
 361/679.01
 2014/0268532 A1 * 9/2014 Nicol G09F 15/0062
 361/679.26
 2014/0362512 A1 * 12/2014 Hinson G06F 15/025
 361/679.21
 2015/0002398 A1 * 1/2015 Nakhimov G06F 1/1652
 345/163
 2015/0047796 A1 * 2/2015 Peng E06B 9/42
 160/323.1
 2016/0035310 A1 * 2/2016 Song G06F 3/017
 345/156
 2016/0154426 A1 * 6/2016 Daley, III G06F 1/163
 361/679.03
 2016/0154433 A1 * 6/2016 Su G06F 1/1626
 361/679.3
 2016/0226021 A1 * 8/2016 Lee H01L 51/5253
 2016/0238861 A1 * 8/2016 Yura G02F 1/1303
 2016/0353593 A1 * 12/2016 Park F16B 21/02
 2016/0360625 A1 * 12/2016 Ogasawara H05B 33/0803
 2016/0374228 A1 * 12/2016 Park G09F 9/301
 2016/0379589 A1 * 12/2016 Longo H05K 5/0221
 345/520
 2017/0013728 A1 * 1/2017 Lee F21V 7/0066
 2017/0060183 A1 * 3/2017 Zhang G06F 1/1605
 2017/0090659 A1 * 3/2017 Shiozaki G06F 1/1652
 2017/0103735 A1 * 4/2017 Oh G06F 1/1626
 2017/0118850 A1 * 4/2017 Kwon H05K 5/0234
 2017/0187980 A1 * 6/2017 Lv H04N 5/655
 2017/0196102 A1 * 7/2017 Shin G01R 33/072
 2017/0196103 A1 * 7/2017 Cho H05K 5/0017

OTHER PUBLICATIONS

sony-oled-display-flexible-rollable-display. thecoolgadgets.com.
 [online] 8 pgs. Posted before 2012 [Retrieved on Aug. 14, 2017]
[http://thecoolgadgets.com/sony-oled-display-flexible-rollable-dis-
 play-pxx-derivatives-high-performance-semiconductor-materials/](http://thecoolgadgets.com/sony-oled-display-flexible-rollable-display-pxx-derivatives-high-performance-semiconductor-materials/). *
 Steve May, "Sony KD-84X9005 84in ultra-HD TV review". [2012]
www.theregister.co.uk Nov. 3, 2012 <[http://www.theregister.co.uk/
 2012/11/03/sony_kd_84x9005_84in_4k_led_tv_review/](http://www.theregister.co.uk/2012/11/03/sony_kd_84x9005_84in_4k_led_tv_review/)>.
 James Edward. "They come to Spain the first Toshiba 4K TV for the
 public". [2013] www.technewspedia.com Jul. 17, 2013 <[http://
 www.technewspedia.com/they-come-to-spain-the-first-toshiba-4k-tv-for-
 the-public/](http://www.technewspedia.com/they-come-to-spain-the-first-toshiba-4k-tv-for-the-public/)>.
 LG. "Best of video, bliss of sound. 4K big screen premier". [2015]
www.lg.com Dec. 31, 2015 <[http://www.lg.com/jp/tv/lg-
 65UF9500](http://www.lg.com/jp/tv/lg-65UF9500)>.

* cited by examiner

FIG. 1

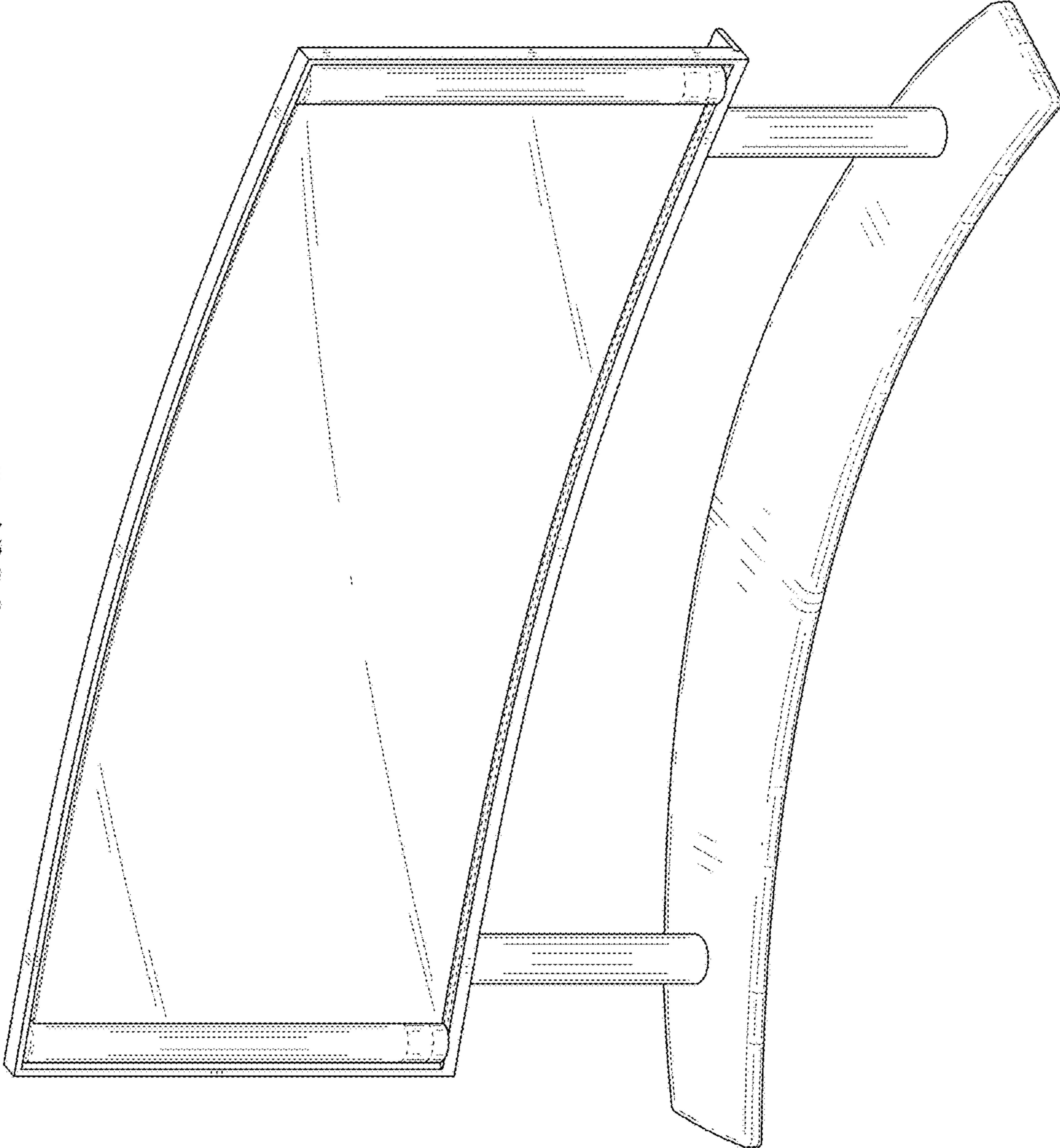


FIG. 2

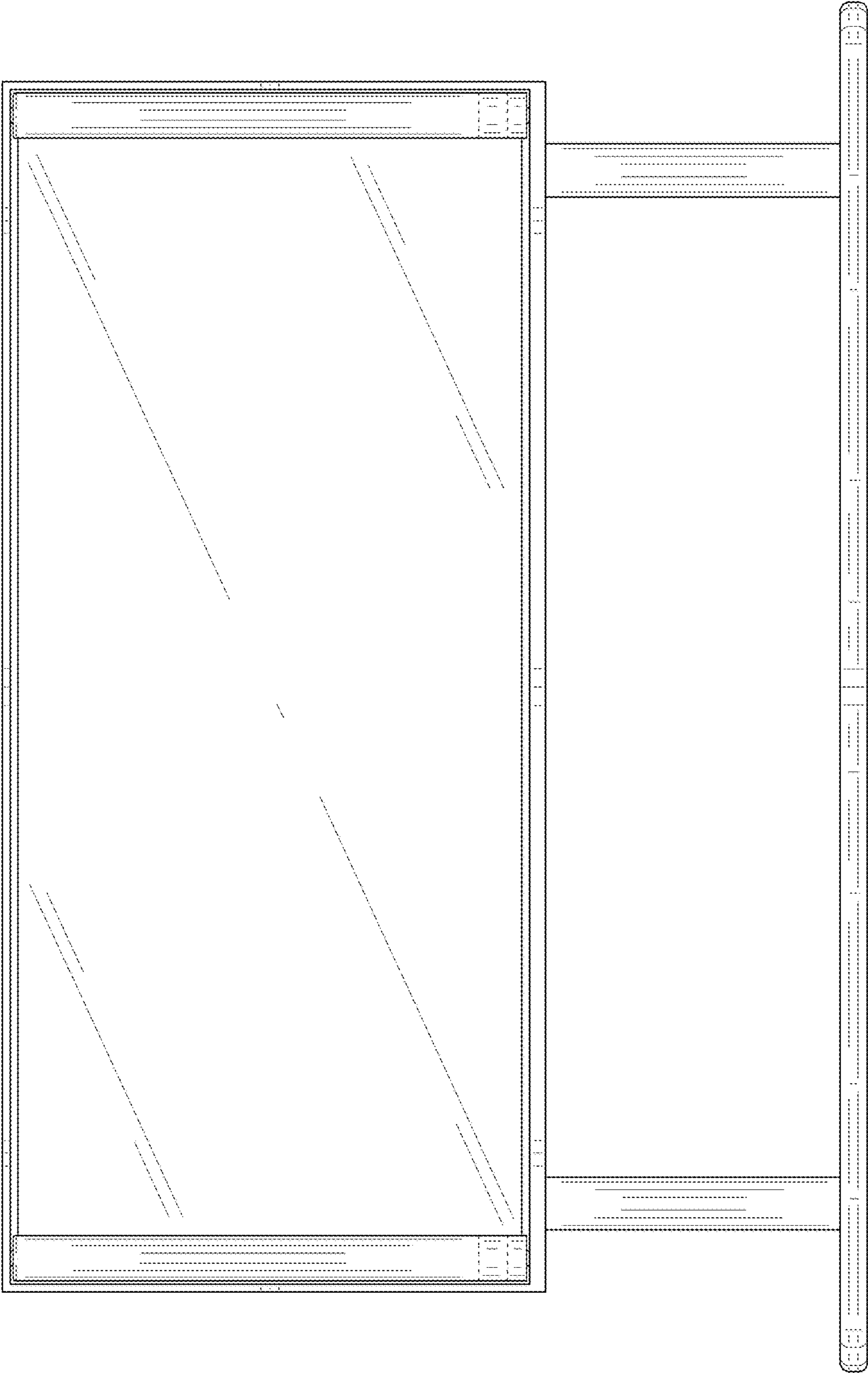


FIG. 3

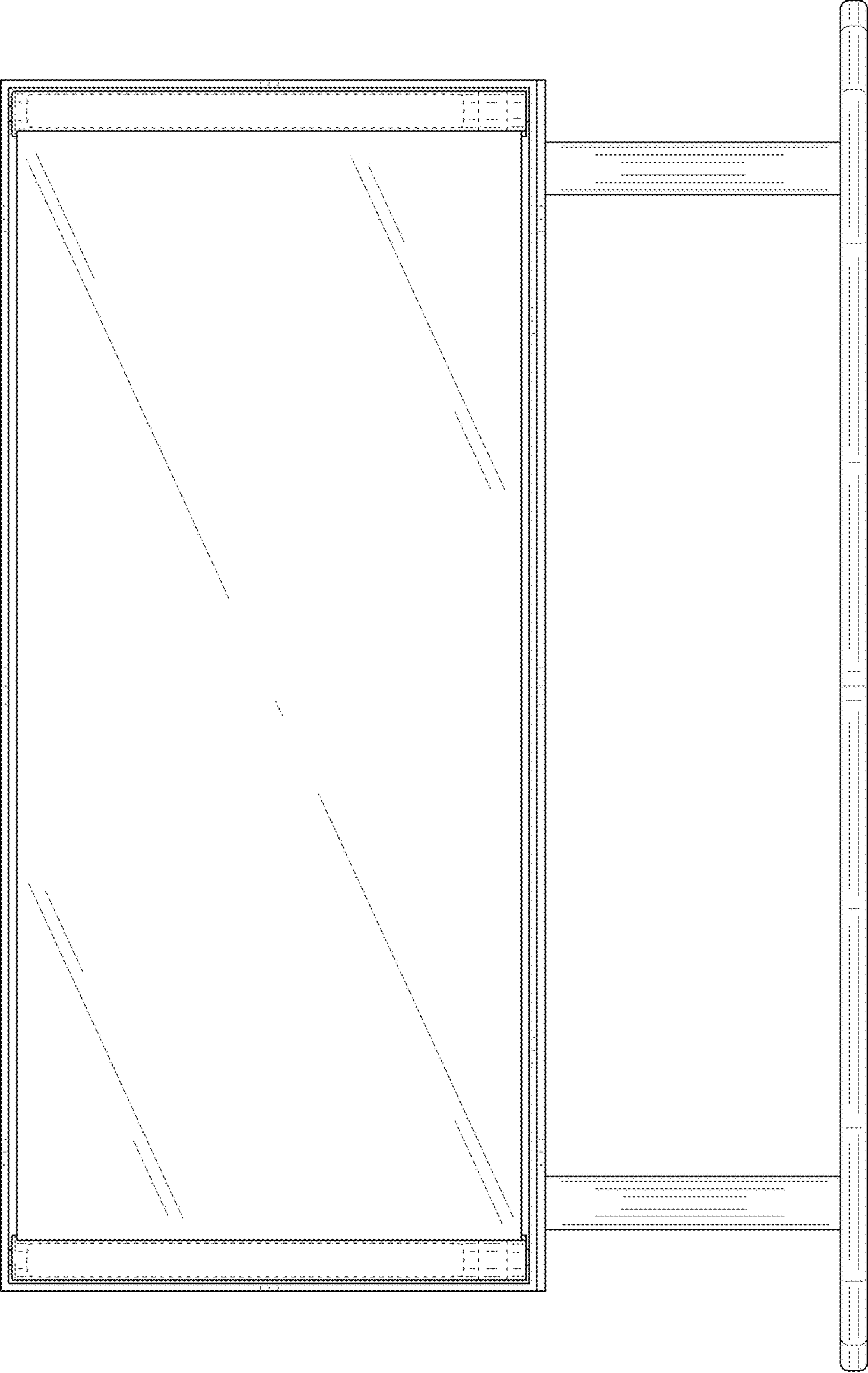


FIG. 4

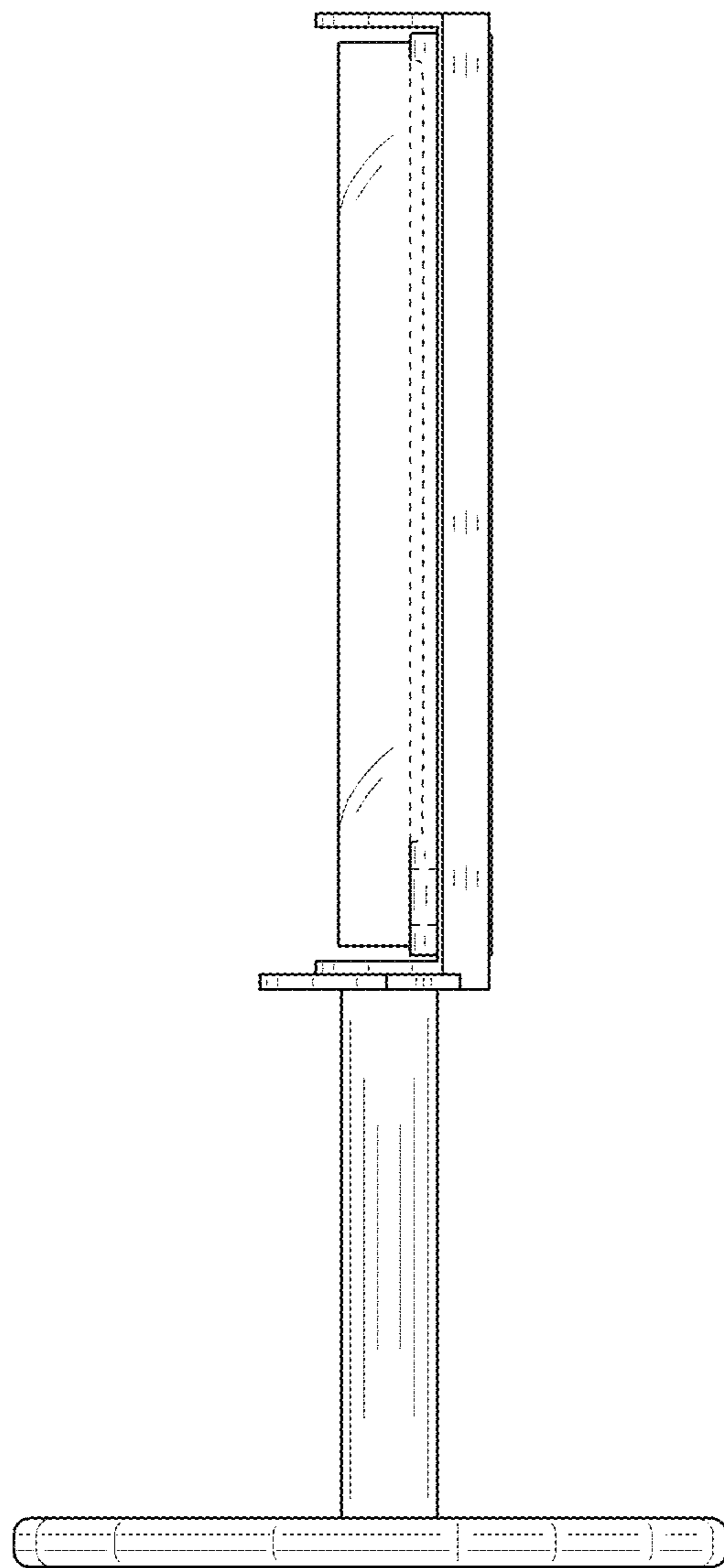


FIG. 5

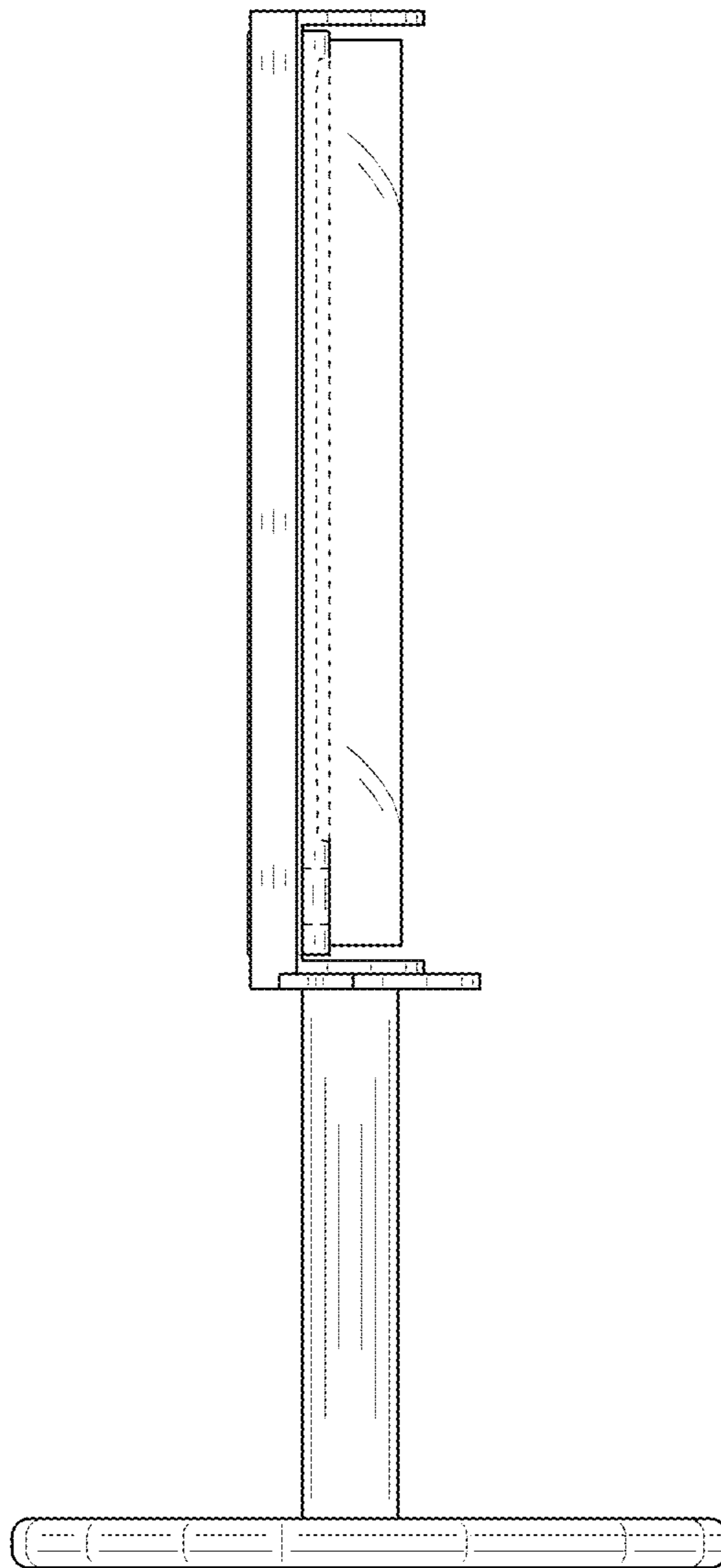


FIG. 6

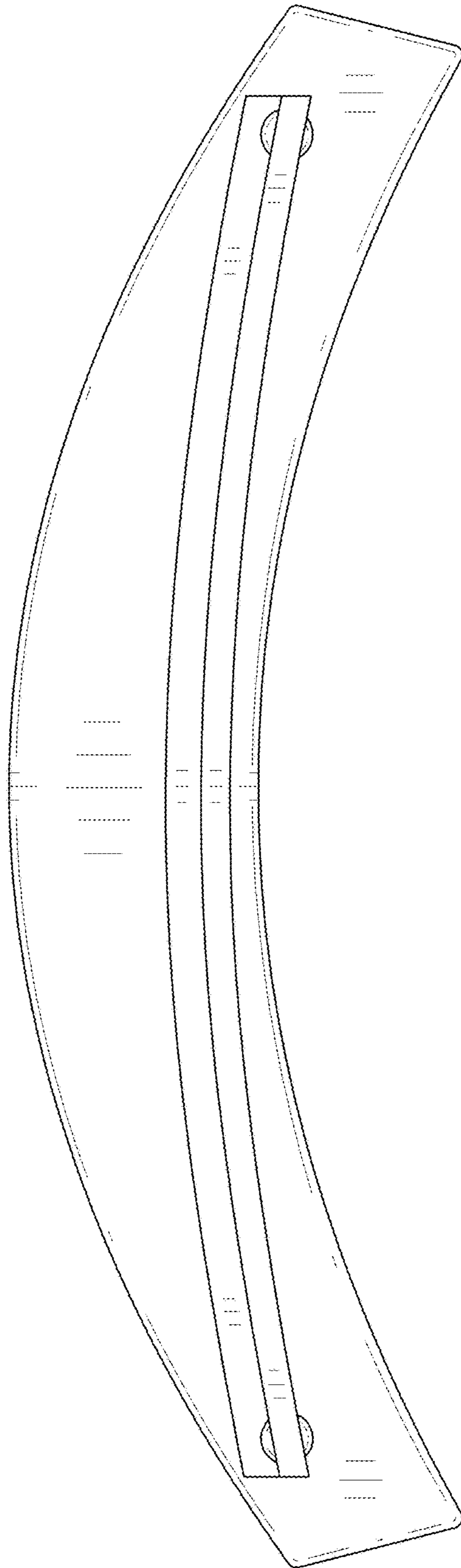


FIG. 7

