



US00D806662S

(12) **United States Design Patent**  
**Lee et al.**

(10) **Patent No.:** **US D806,662 S**  
(45) **Date of Patent:** **\*\* Jan. 2, 2018**

(54) **TELEVISION**

FOREIGN PATENT DOCUMENTS

(71) Applicant: **Samsung Electronics Co., Ltd.**,  
Suwon-si (KR)

KR 30-2014-0041303 2/2015  
KR 30-2014-0041873 2/2015

(72) Inventors: **Hyungsun Lee**, Yongin-si (KR);  
**Donggyun Ye**, Seoul (KR); **Woojong Huh**,  
Yongin-si (KR); **Jeung Kim**, Hwaseong-si (KR);  
**Sangyoung Lee**, Anyang-si (KR); **Joonyoung Lee**, Seoul (KR);  
**Heeseok Jeong**, Suwon-si (KR); **Kyuhyun Cho**,  
Suwon-si (KR); **Shiyun Cho**, Anyang-si (KR); **Younho Choi**,  
Seoul (KR)

OTHER PUBLICATIONS

Sony-oled-display-flexible-rollable-display. thecoolgadgets.com.  
[online] 8 pgs. Posted before 2012 [Retrieved on Aug. 14, 2017]  
[http://thecoolgadgets.com/sony-oled-display-flexible-rollable-dis-  
play-pxx-derivatives-high-performance-semiconductor-materials/.](http://thecoolgadgets.com/sony-oled-display-flexible-rollable-display-pxx-derivatives-high-performance-semiconductor-materials/)\*

(Continued)

(73) Assignee: **Samsung Electronics Co., Ltd.**,  
Suwon-si (KR)

*Primary Examiner* — Susan Bennett Hattan  
*Assistant Examiner* — Marie D. Fast Horse  
(74) *Attorney, Agent, or Firm* — NSIP Law

(\*\*) Term: **15 Years**

(57) **CLAIM**

We claim the ornamental design for a television, as shown and described.

(21) Appl. No.: **29/564,924**

**DESCRIPTION**

(22) Filed: **May 17, 2016**

(30) **Foreign Application Priority Data**

Nov. 18, 2015 (KR) ..... 30-2015-0058002

(51) **LOC (11) Cl.** ..... **14-03**

(52) **U.S. Cl.**  
USPC ..... **D14/126; D14/129**

(58) **Field of Classification Search**  
USPC ..... D14/125–134, 239, 371, 374–377, 448,  
D14/450, 451, 336, 342, 168, 496, 299;  
(Continued)

FIG. 1 is a front perspective view of a television showing our new design;  
FIG. 2 is a front view thereof;  
FIG. 3 is a rear view thereof;  
FIG. 4 is a left-side view thereof;  
FIG. 5 is a right-side view thereof;  
FIG. 6 is a top view thereof;  
FIG. 7 is a bottom view thereof;  
FIG. 8 is an enlarged view of the encircled portion in FIG. 5;  
FIG. 9 is a front perspective view of the television shown in another alternate position in which the display panel is partially unfolded;  
FIG. 10 is a front view thereof;  
FIG. 11 is a rear view thereof;  
FIG. 12 is a left-side view thereof;  
FIG. 13 is a right-side view thereof;  
FIG. 14 is a top view thereof;  
FIG. 15 is a bottom view thereof;  
FIG. 16 is an enlarged view of the encircled portion in FIG. 13;

(Continued)

(56) **References Cited**

U.S. PATENT DOCUMENTS

D104,569 S \* 5/1937 Hammer ..... D20/10  
D104,570 S \* 5/1937 Hammer ..... D20/10  
(Continued)

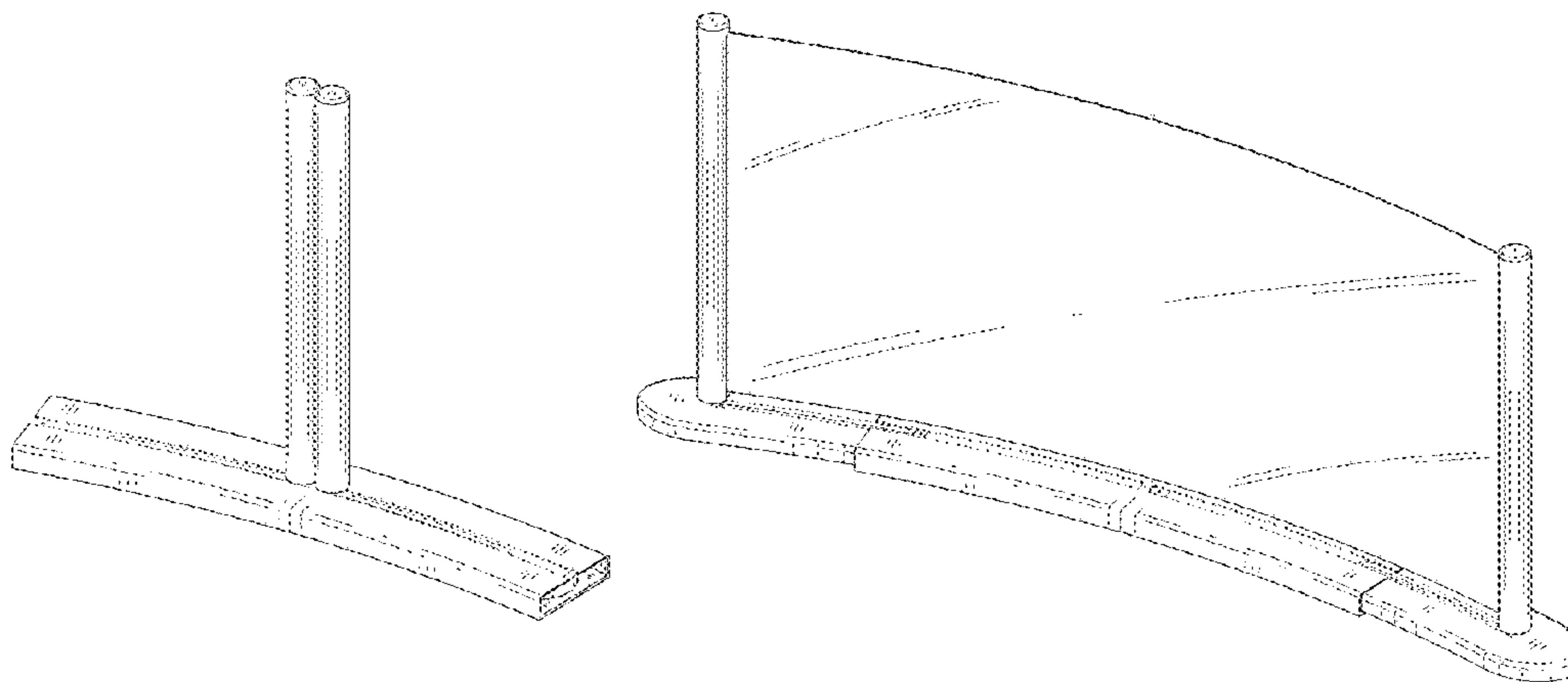




FIG. 17 is a front perspective view of the television shown in another alternate position in which the display panel is unfolded;

FIG. 18 is a front view thereof;

FIG. 19 is a rear view thereof;

FIG. 20 is a left-side view thereof;

FIG. 21 is a right-side view thereof;

FIG. 22 is a top view thereof;

FIG. 23 is a bottom view thereof; and,

FIG. 24 is an enlarged view of the encircled portion in FIG. 21.

The broken lines in the figures show portions of the television which form no part of the claimed design.

The dot-dash broken lines encircling enlargement portions of the design form no part of the claimed design.

**1 Claim, 21 Drawing Sheets**

**(58) Field of Classification Search**

USPC ..... D21/329, 515, 577; D10/15, 26;  
 D6/300, 312; D20/10, 19, 21, 27, 39;  
 D16/203, 241, 221, 235; D19/113, 114  
 CPC .... G06F 1/1601; G06F 1/1637; G06F 1/1652;  
 G06F 1/1647; G09F 15/0025; G09F  
 15/0062; G09F 15/0068; G09F 17/00;  
 H04N 5/64; H04N 5/645; H04N 5/655;  
 H05K 5/00; H05K 5/0017; H05K 5/02;  
 H05K 5/0204

See application file for complete search history.

**(56) References Cited**

**U.S. PATENT DOCUMENTS**

D290,702 S \* 7/1987 Stern ..... D14/375  
 D306,660 S \* 3/1990 Di Cesare ..... D6/300  
 D310,388 S \* 9/1990 Crawford ..... D20/10  
 D316,569 S \* 4/1991 Leggate ..... D20/10  
 D339,168 S \* 9/1993 Gerhart ..... D20/21  
 D343,396 S \* 1/1994 Yamashita ..... D14/128  
 D361,897 S \* 9/1995 Jackson ..... D6/300  
 D366,055 S \* 1/1996 Matsunaga ..... 160/24  
 D395,677 S \* 6/1998 Gongora ..... D20/10  
 D408,458 S \* 4/1999 Hempel ..... D20/10  
 D415,205 S \* 10/1999 Canton Gongora ..... D20/10  
 D435,270 S \* 12/2000 Healy ..... D20/10  
 D497,166 S \* 10/2004 Vick ..... D14/375  
 D500,805 S \* 1/2005 Hinds ..... D20/19  
 D518,109 S \* 3/2006 Opolka ..... D20/42  
 D520,046 S \* 5/2006 Miyagawa ..... D16/241  
 D520,060 S \* 5/2006 Kato ..... D16/235  
 D525,603 S \* 7/2006 Williams ..... D14/126  
 D525,957 S \* 8/2006 Rashid ..... D14/126  
 D548,765 S \* 8/2007 Kotera ..... D16/235  
 D568,364 S \* 5/2008 Jeoung ..... D16/241  
 D587,315 S \* 2/2009 Piantanida ..... D20/39  
 7,489,444 B1 \* 2/2009 Adams ..... G03B 21/60  
 359/461  
 D587,760 S \* 3/2009 Miranda ..... D20/39  
 D594,894 S \* 6/2009 Adams ..... D16/241  
 D607,916 S \* 1/2010 Orion ..... D16/241  
 D616,029 S \* 5/2010 Maier-Hunke ..... D20/10  
 D633,147 S \* 2/2011 Parshad ..... D19/86  
 D645,090 S \* 9/2011 Gimpel ..... D20/10  
 8,376,581 B2 \* 2/2013 Auld ..... G09F 9/33  
 340/815.45  
 D684,209 S \* 6/2013 Measom ..... D16/241  
 D685,837 S \* 7/2013 Measom ..... D16/241  
 D726,137 S \* 4/2015 Lee ..... D14/126  
 D727,275 S \* 4/2015 Zheng ..... D14/126

D727,866 S \* 4/2015 Ryu ..... D14/126  
 D735,709 S \* 8/2015 Daniel ..... D14/341  
 D754,085 S \* 4/2016 Son ..... D14/126  
 D755,137 S \* 5/2016 Won ..... D14/126  
 D758,988 S \* 6/2016 An ..... D14/138 R  
 D759,620 S \* 6/2016 Kim ..... D14/126  
 D762,601 S \* 8/2016 Seo ..... D14/126  
 D763,356 S \* 8/2016 Takayama ..... D20/10  
 D766,852 S \* 9/2016 Seo ..... D14/126  
 D766,857 S \* 9/2016 Won ..... D14/126  
 D766,858 S \* 9/2016 Lee ..... D14/126  
 D773,417 S \* 12/2016 Kim ..... D14/126  
 D773,866 S \* 12/2016 Hogberg ..... D6/681  
 D774,509 S \* 12/2016 Covello ..... D14/374  
 D776,072 S \* 1/2017 Kim ..... D14/126  
 D776,631 S \* 1/2017 Kim ..... D14/126  
 D780,138 S \* 2/2017 Lee ..... D14/126  
 D781,283 S \* 3/2017 Son ..... D14/336  
 D783,553 S \* 4/2017 Kim ..... D14/126  
 D784,941 S \* 4/2017 Lee ..... D14/126  
 D784,984 S \* 4/2017 Lim ..... D14/374  
 D785,071 S \* 4/2017 Measom ..... D16/241  
 D785,582 S \* 5/2017 Lee ..... D14/126  
 D785,607 S \* 5/2017 Lee ..... D14/126  
 D786,814 S \* 5/2017 Lee ..... D14/126  
 D786,842 S \* 5/2017 Lee ..... D14/126  
 D788,052 S \* 5/2017 Choi ..... D14/126  
 D791,130 S \* 7/2017 Oh ..... D14/374  
 2008/0212271 A1 \* 9/2008 Misawa ..... G02F 1/133305  
 361/679.01  
 2014/0268532 A1 \* 9/2014 Nicol ..... G09F 15/0062  
 361/679.26  
 2014/0362512 A1 \* 12/2014 Hinson ..... G06F 15/025  
 361/679.21  
 2015/0002398 A1 \* 1/2015 Nakhimov ..... G06F 1/1652  
 345/163  
 2015/0047796 A1 \* 2/2015 Peng ..... E06B 9/42  
 160/323.1  
 2016/0035310 A1 \* 2/2016 Song ..... G06F 3/017  
 345/156  
 2016/0154426 A1 \* 6/2016 Daley, III ..... G06F 1/163  
 361/679.03  
 2016/0154433 A1 \* 6/2016 Su ..... G06F 1/1626  
 361/679.3  
 2016/0226021 A1 \* 8/2016 Lee ..... H01L 51/5253  
 2016/0238861 A1 \* 8/2016 Yura ..... G02F 1/1303  
 2016/0353593 A1 \* 12/2016 Park ..... F16B 21/02  
 2016/0360625 A1 \* 12/2016 Ogasawara ..... H05B 33/0803  
 2016/0374228 A1 \* 12/2016 Park ..... G09F 9/301  
 2016/0379589 A1 \* 12/2016 Longo ..... H05K 5/0221  
 345/520  
 2017/0013728 A1 \* 1/2017 Lee ..... F21V 7/0066  
 2017/0060183 A1 \* 3/2017 Zhang ..... G06F 1/1605  
 2017/0090659 A1 \* 3/2017 Shiozaki ..... G06F 1/1652  
 2017/0103735 A1 \* 4/2017 Oh ..... G06F 1/1626  
 2017/0118850 A1 \* 4/2017 Kwon ..... H05K 5/0234  
 2017/0187980 A1 \* 6/2017 Lv ..... H04N 5/655  
 2017/0196102 A1 \* 7/2017 Shin ..... G01R 33/072  
 2017/0196103 A1 \* 7/2017 Cho ..... H05K 5/0017

**OTHER PUBLICATIONS**

Worlds-largest-fully-retractable-led-tv-cseed201. twistedsifter.com.  
 [online] 12 pgs. Posted Nov. 13, 2012 [Retrieved on Aug. 14, 2017]  
<http://twisted-sifter.com/2012/11/worlds-largest-fully-retractable-led-tv-cseed201/>.  
 Nandi, Sunit. "Techno FAQ." www.technofaq.com. May 16, 2016.  
 <<http://technofaq.org/posts/2012/09/tablet-device-evolution-a-visual-round-up/>>.  
 Christensen, Bill. "Radius Rollable Display Starts Mass Production." www.technovelgy.com. Dec. 15, 2007. <<http://www.technovelgy.com/ct/Science-Fiction-News.asp?NewsNum=1359>>.  
 Wcauldly. "OLED Television Is Flexible!" www.youtube.com. Mar. 6, 2009. <<https://www.youtube.com/watch?v=sYekIKHPOum>>.

\* cited by examiner

FIG. 1

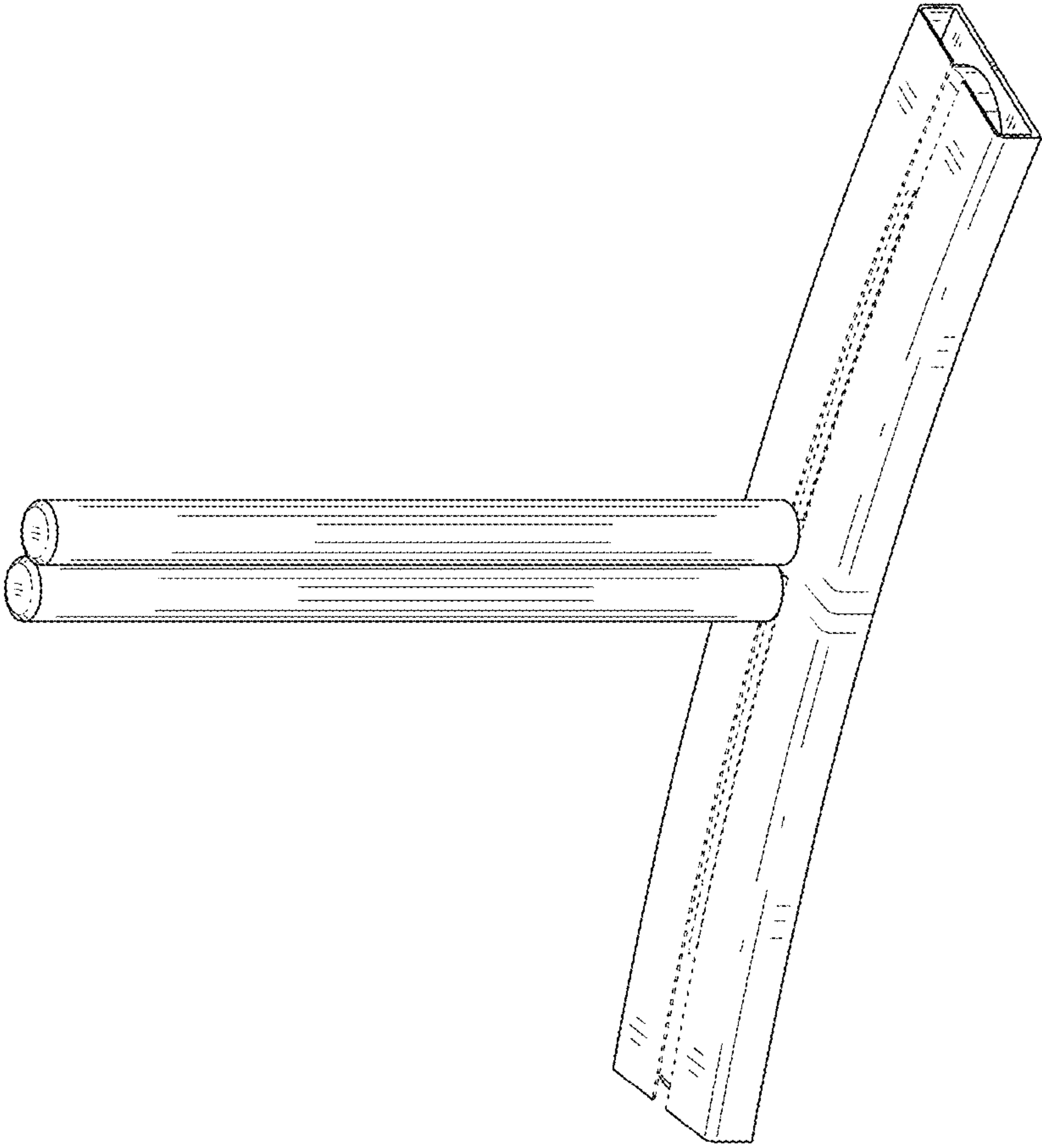


FIG. 2

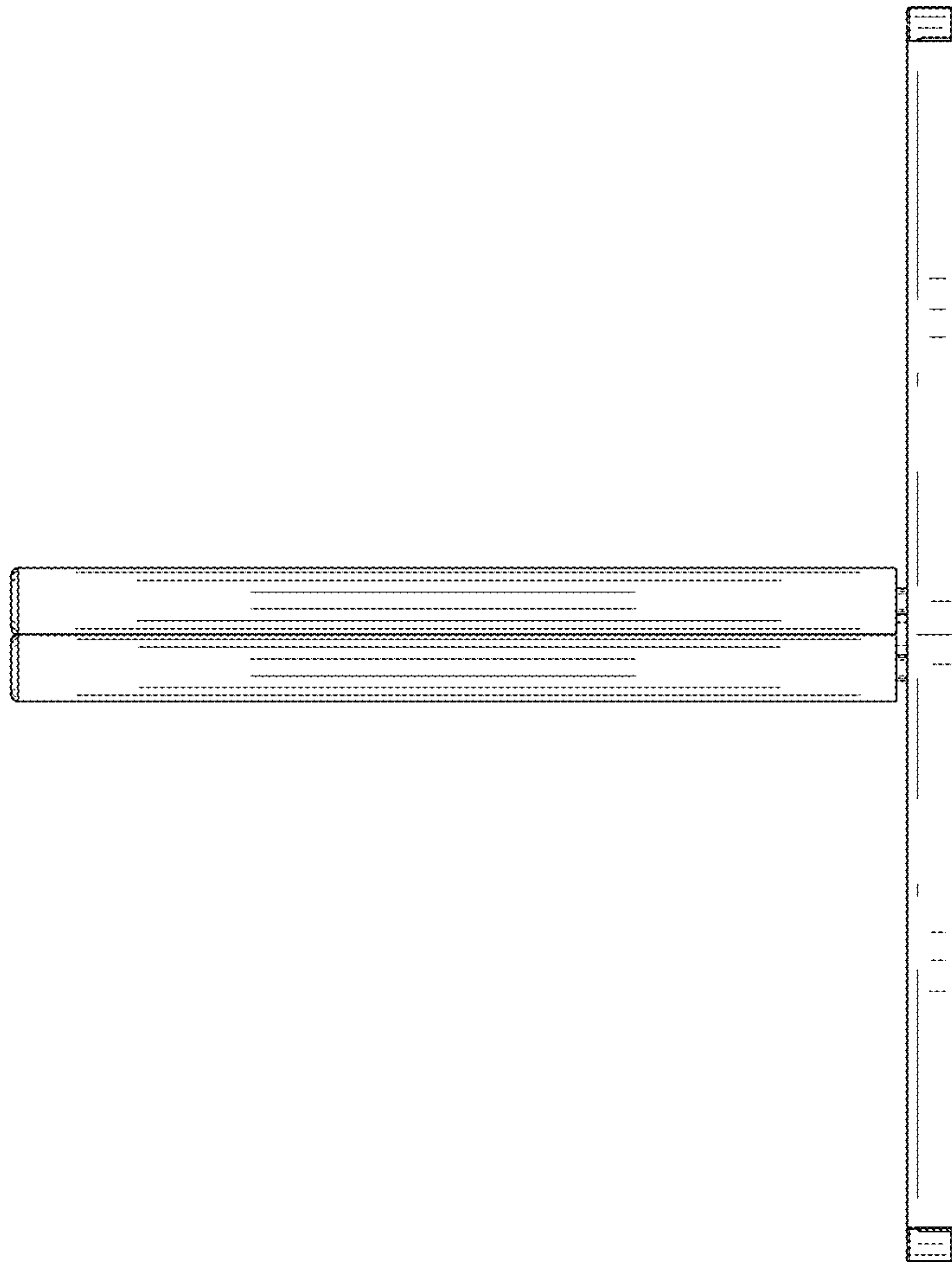


FIG. 3

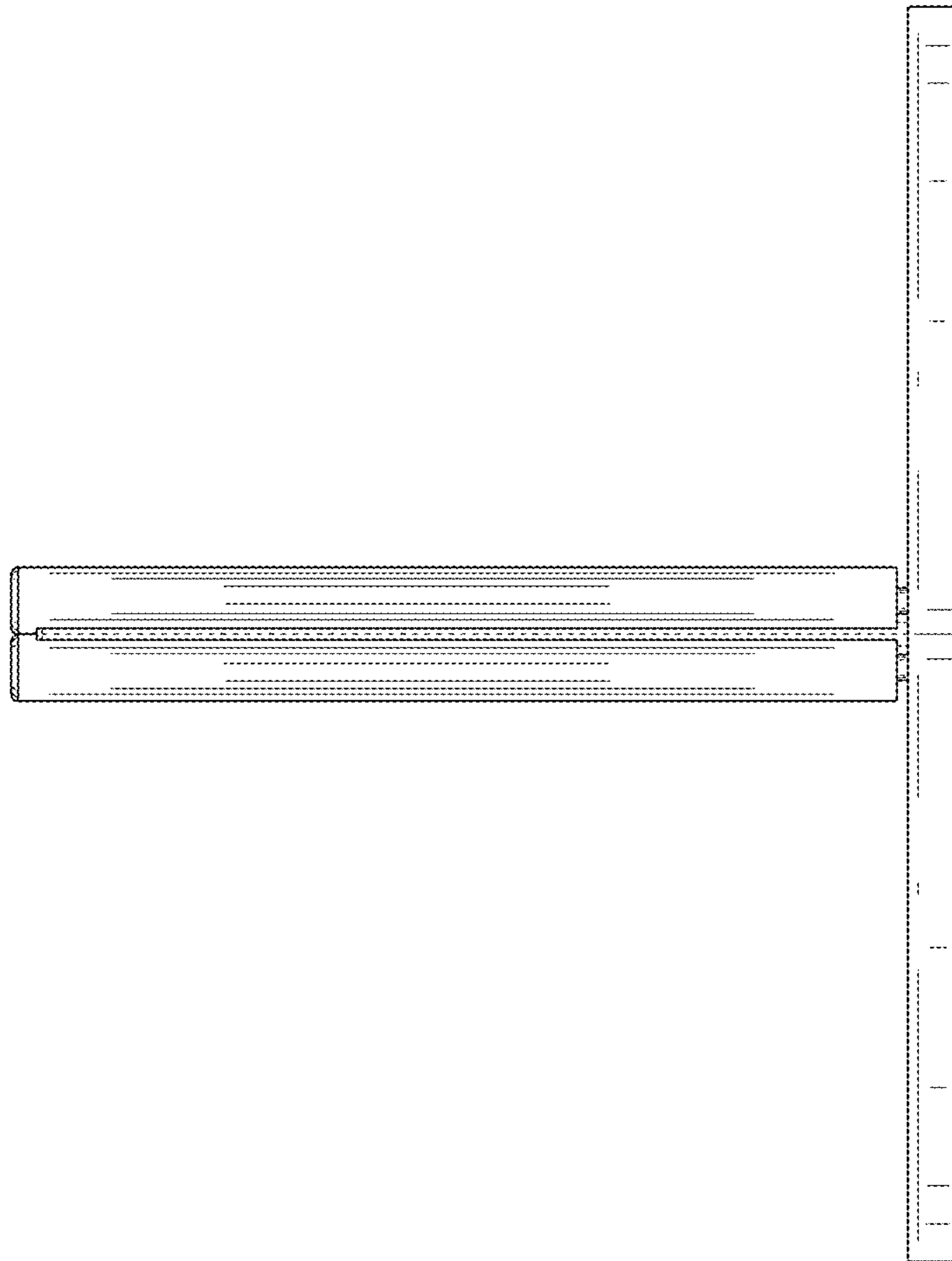


FIG. 4

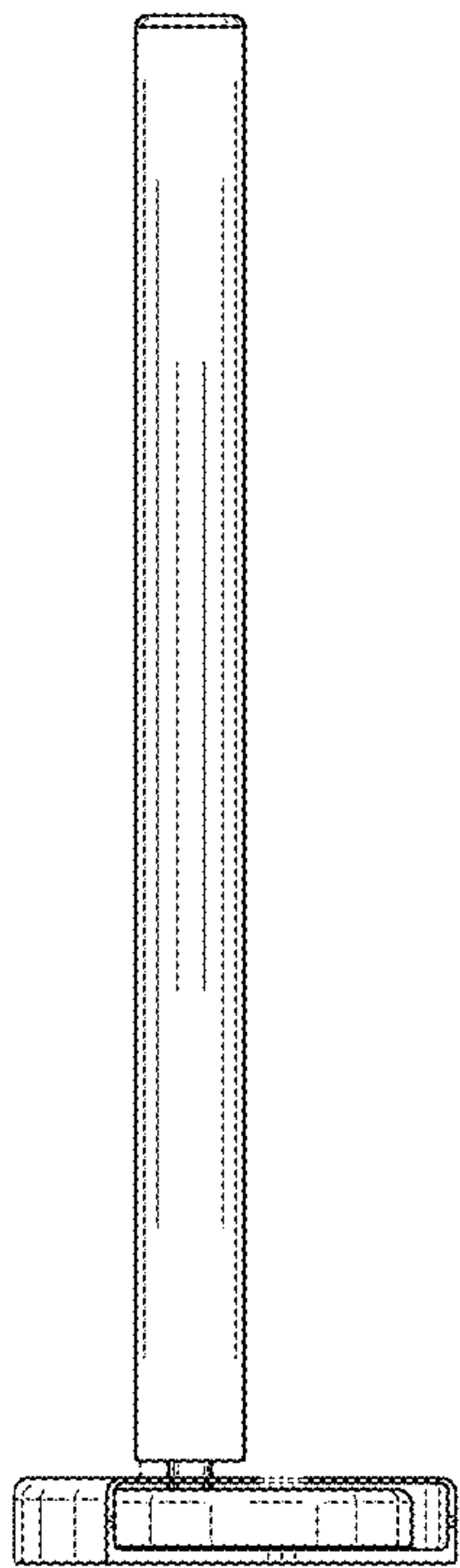


FIG. 5

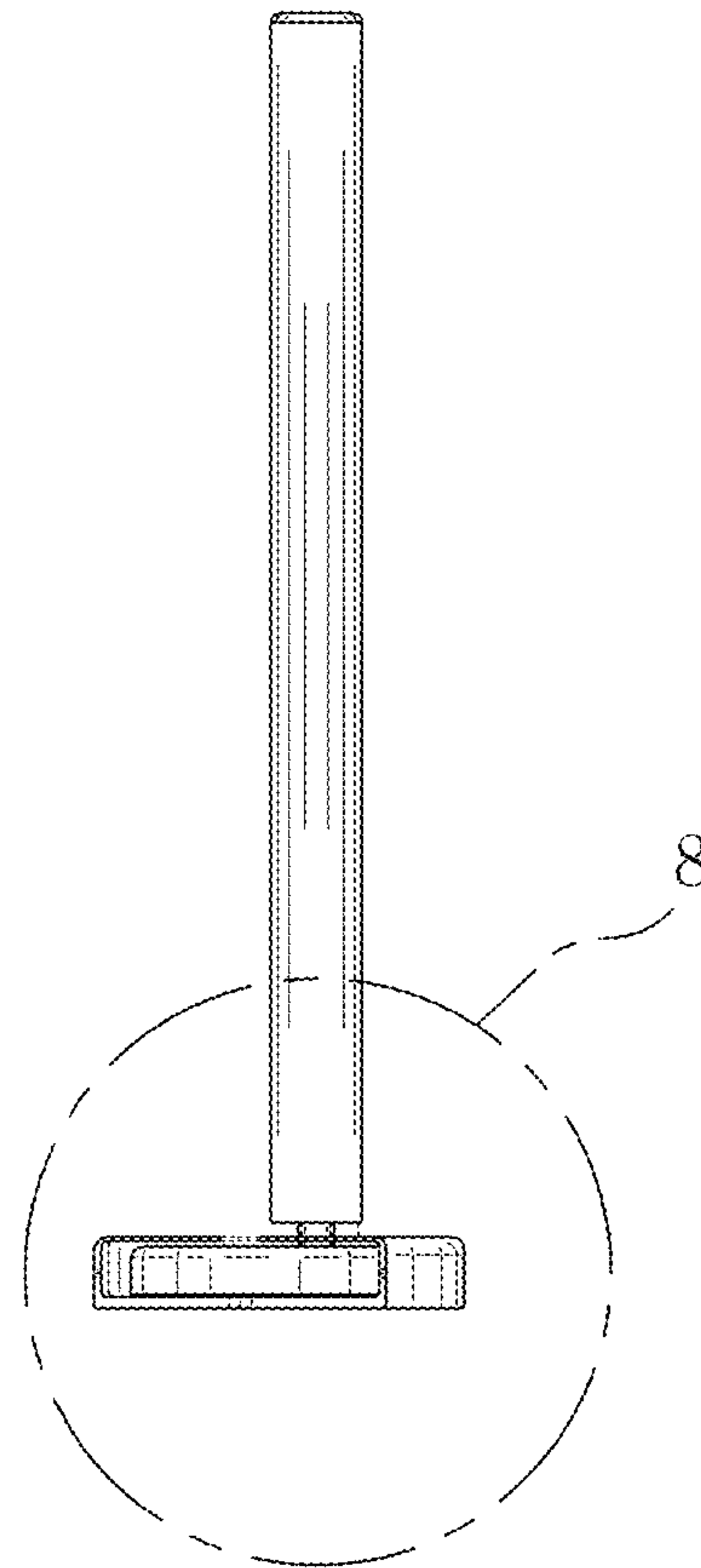




FIG. 6

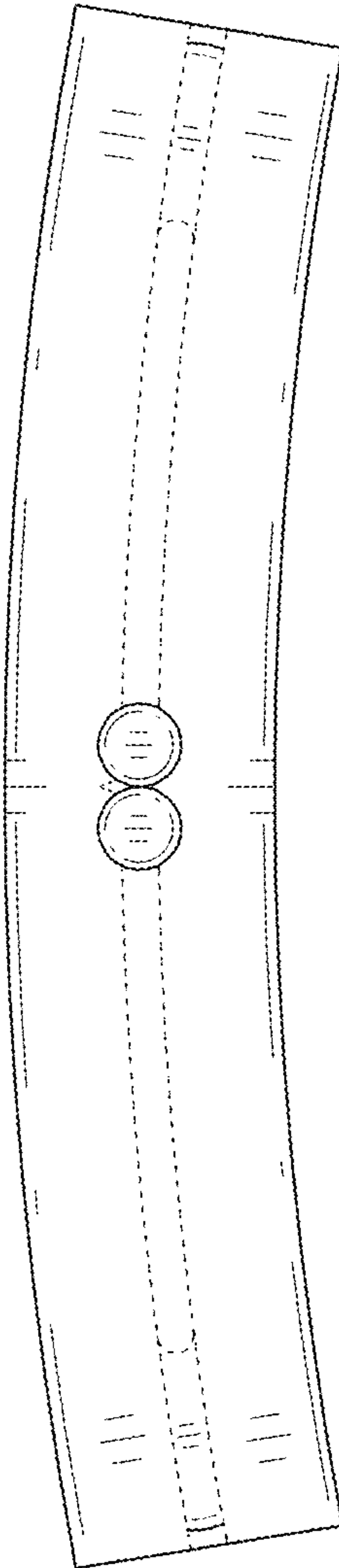


FIG. 7

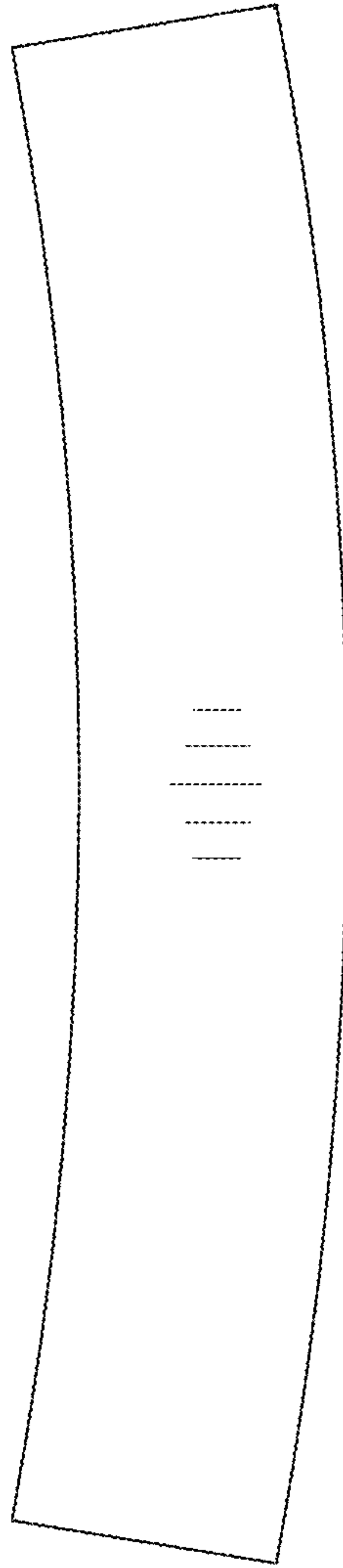




FIG. 8

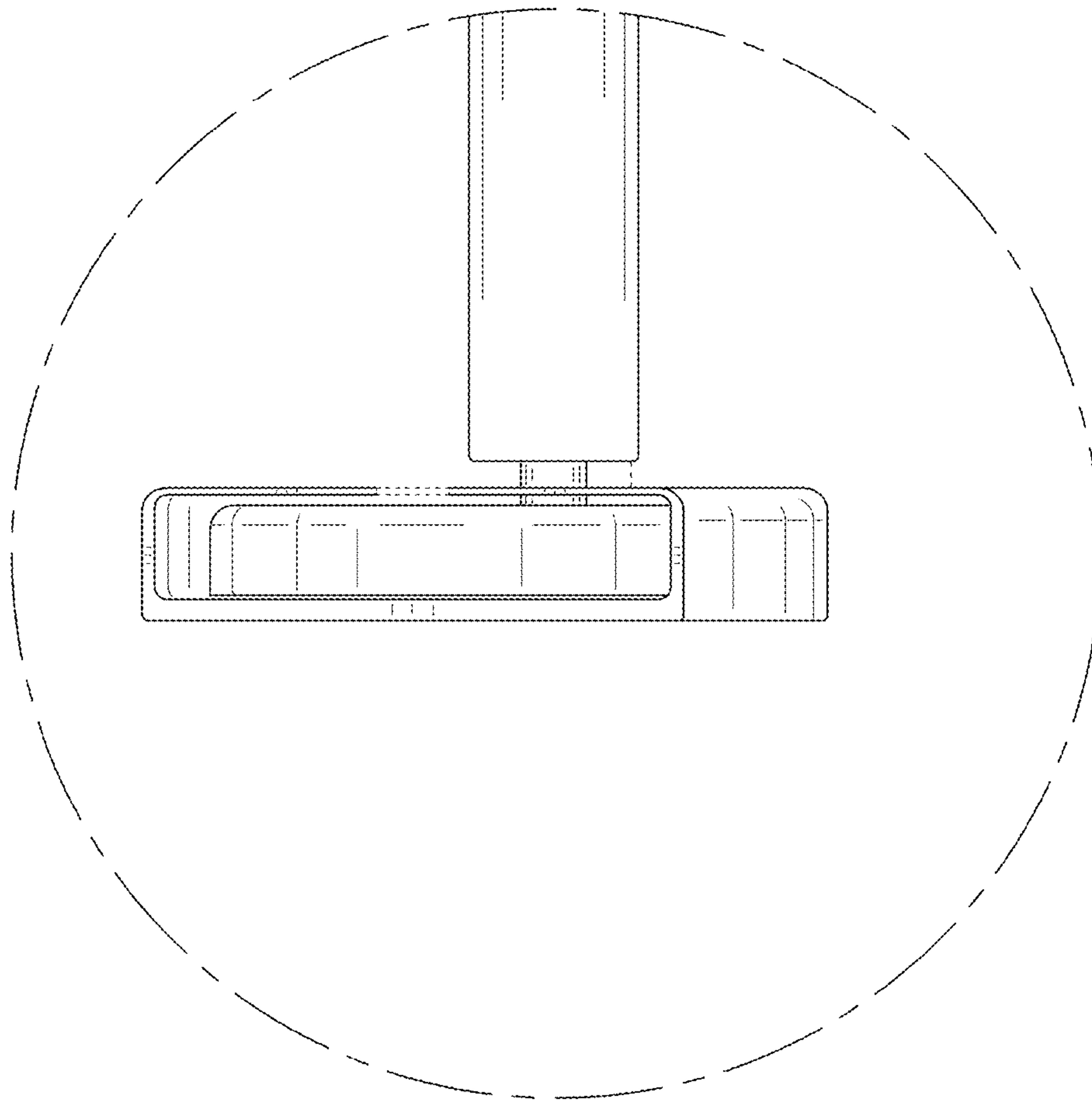


FIG. 9

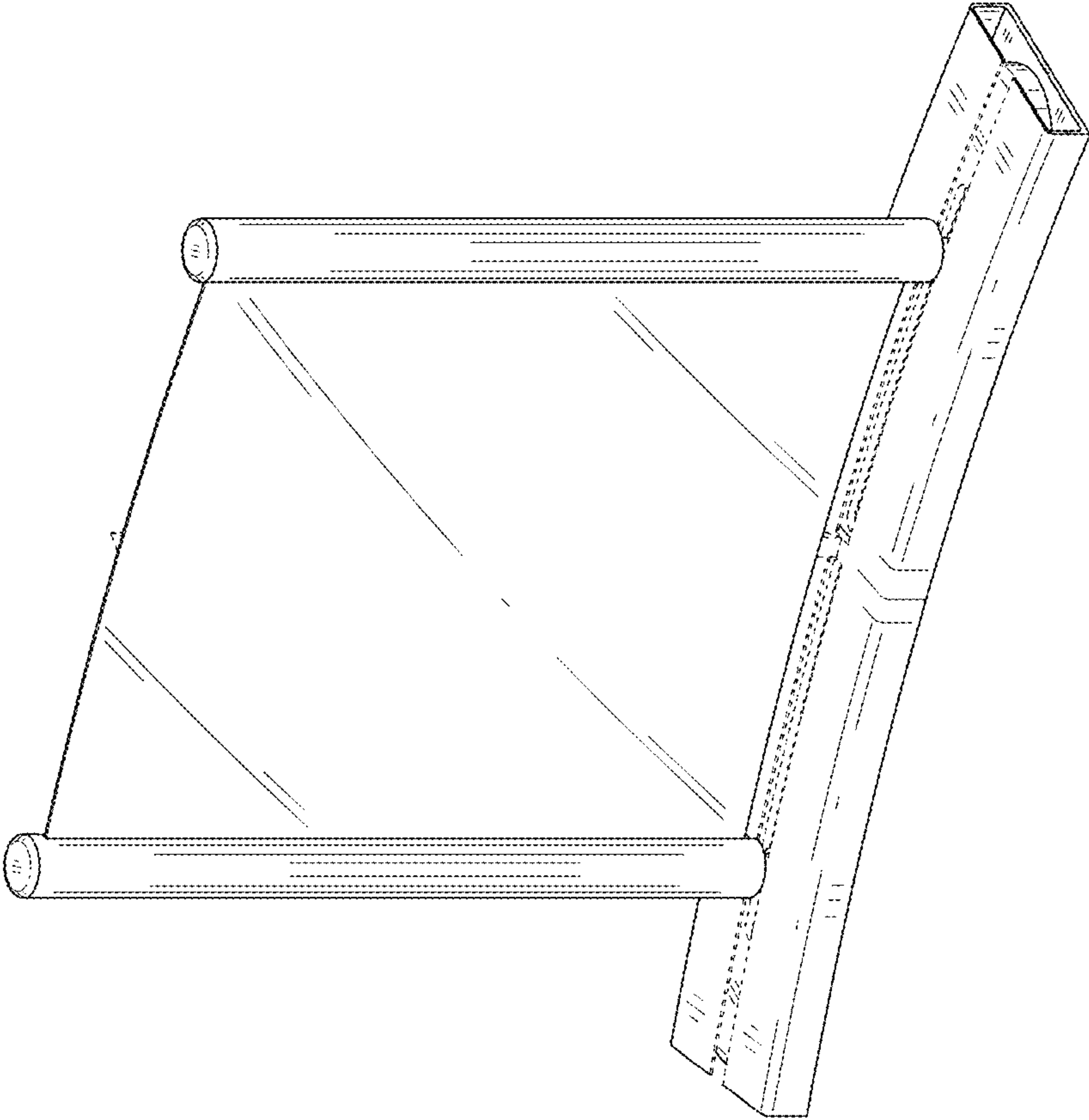


FIG. 10

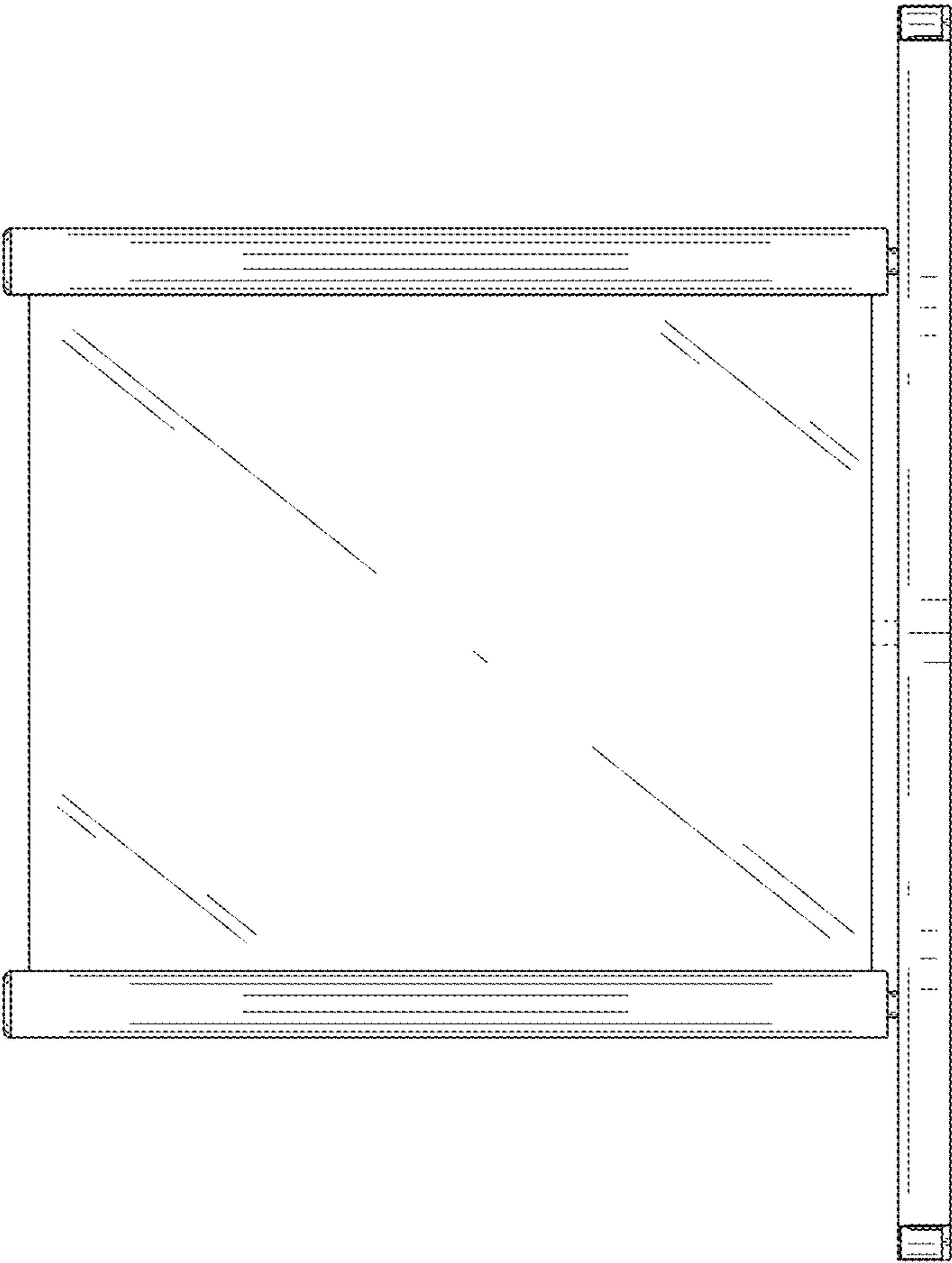


FIG. 11

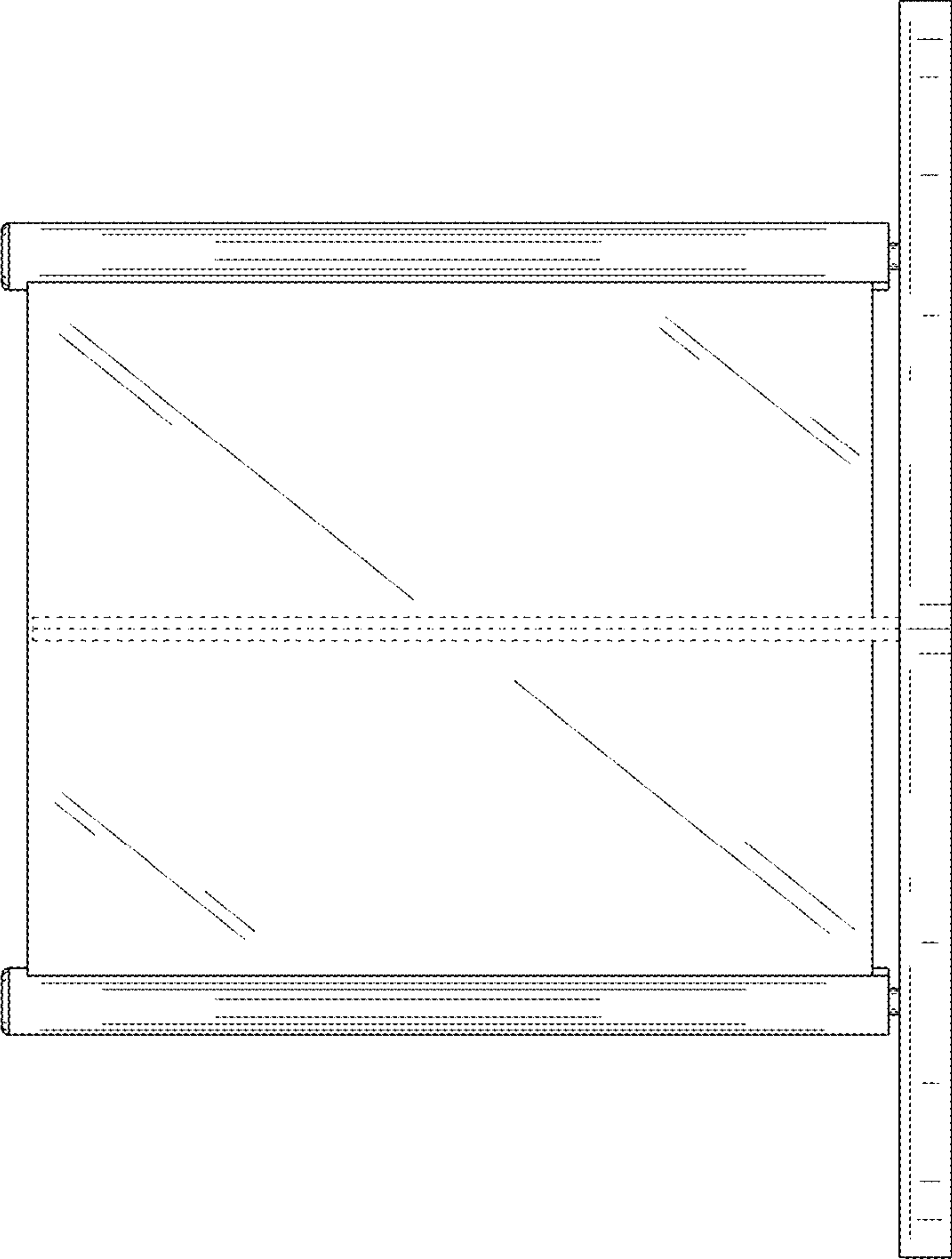


FIG. 12

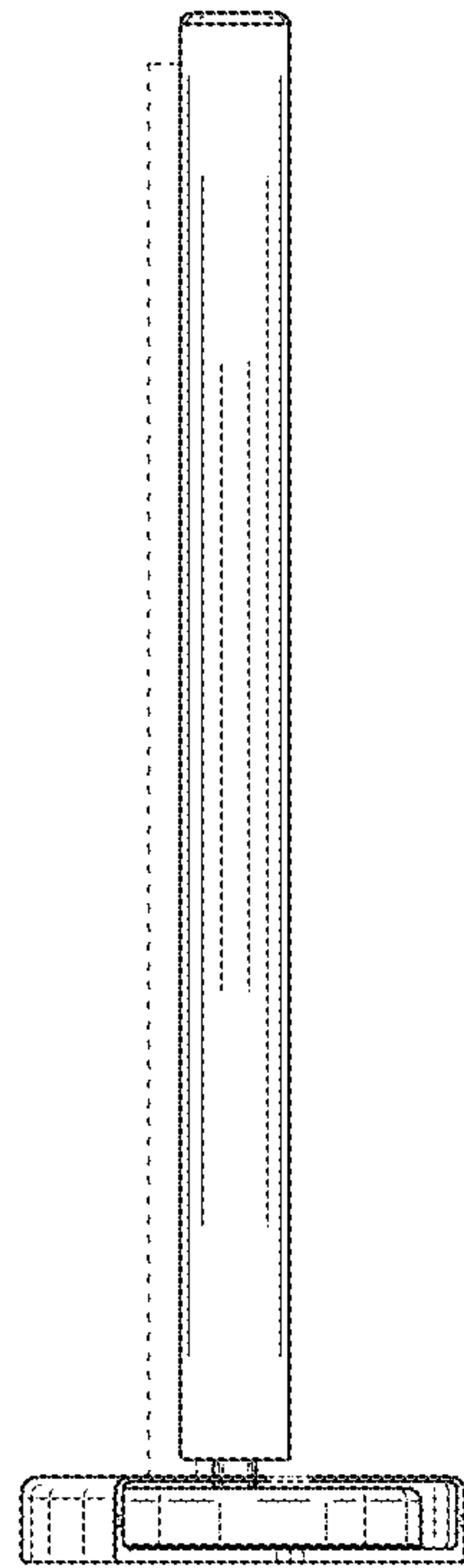


FIG. 13

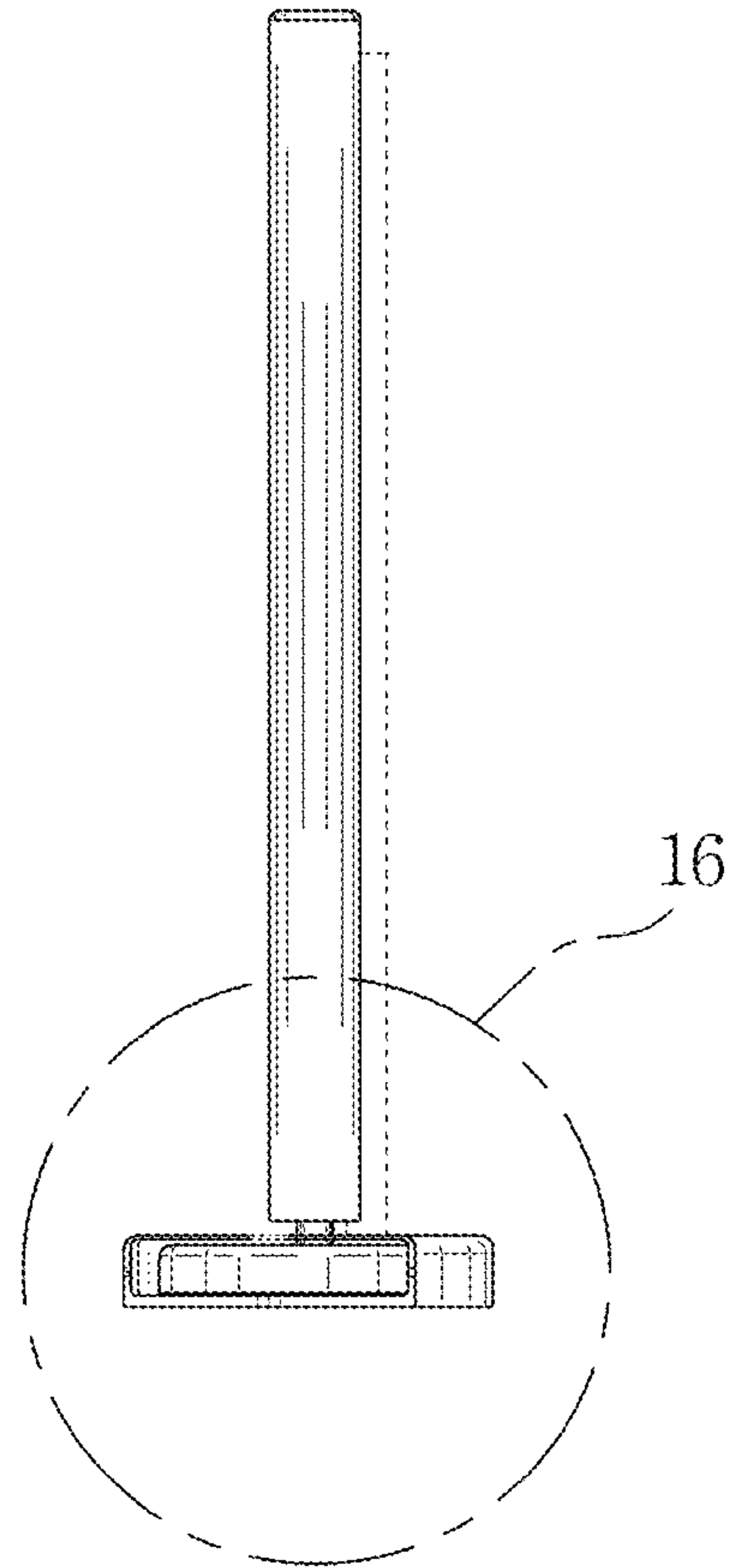




FIG. 14

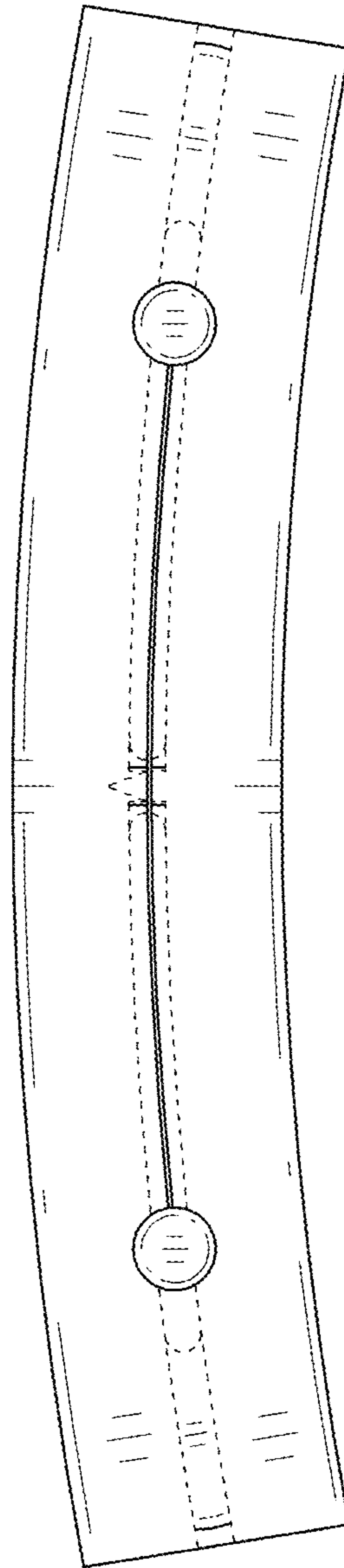


FIG. 15

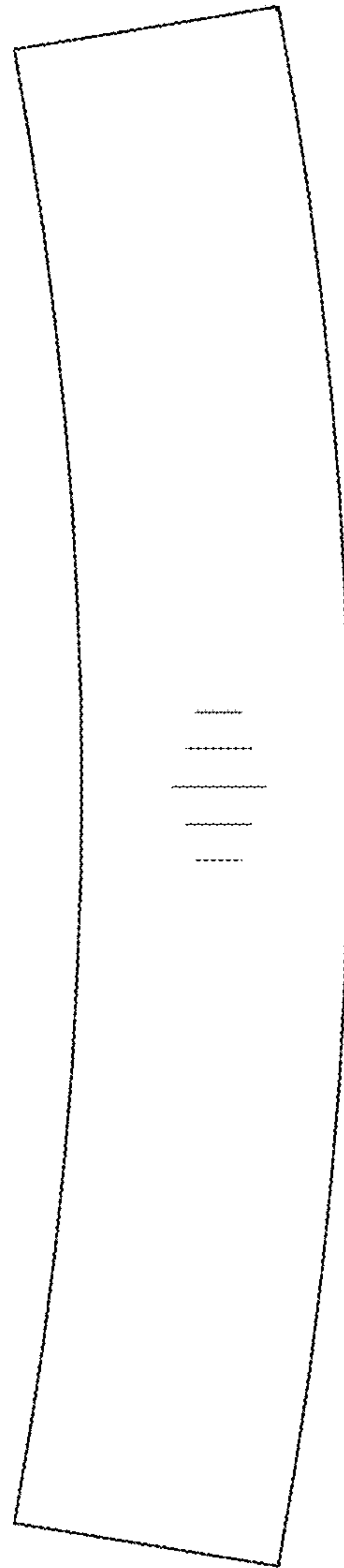
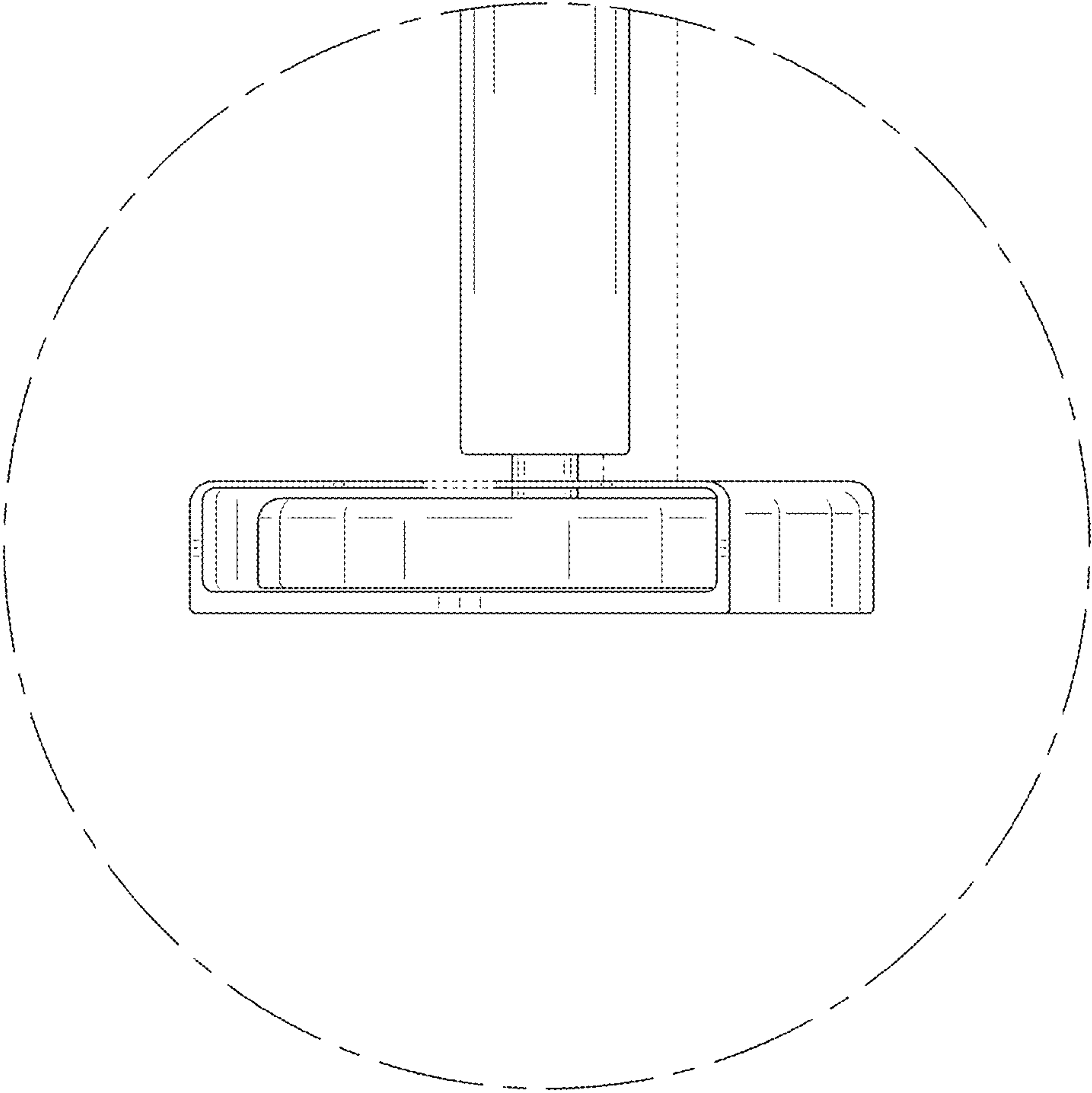


FIG. 16



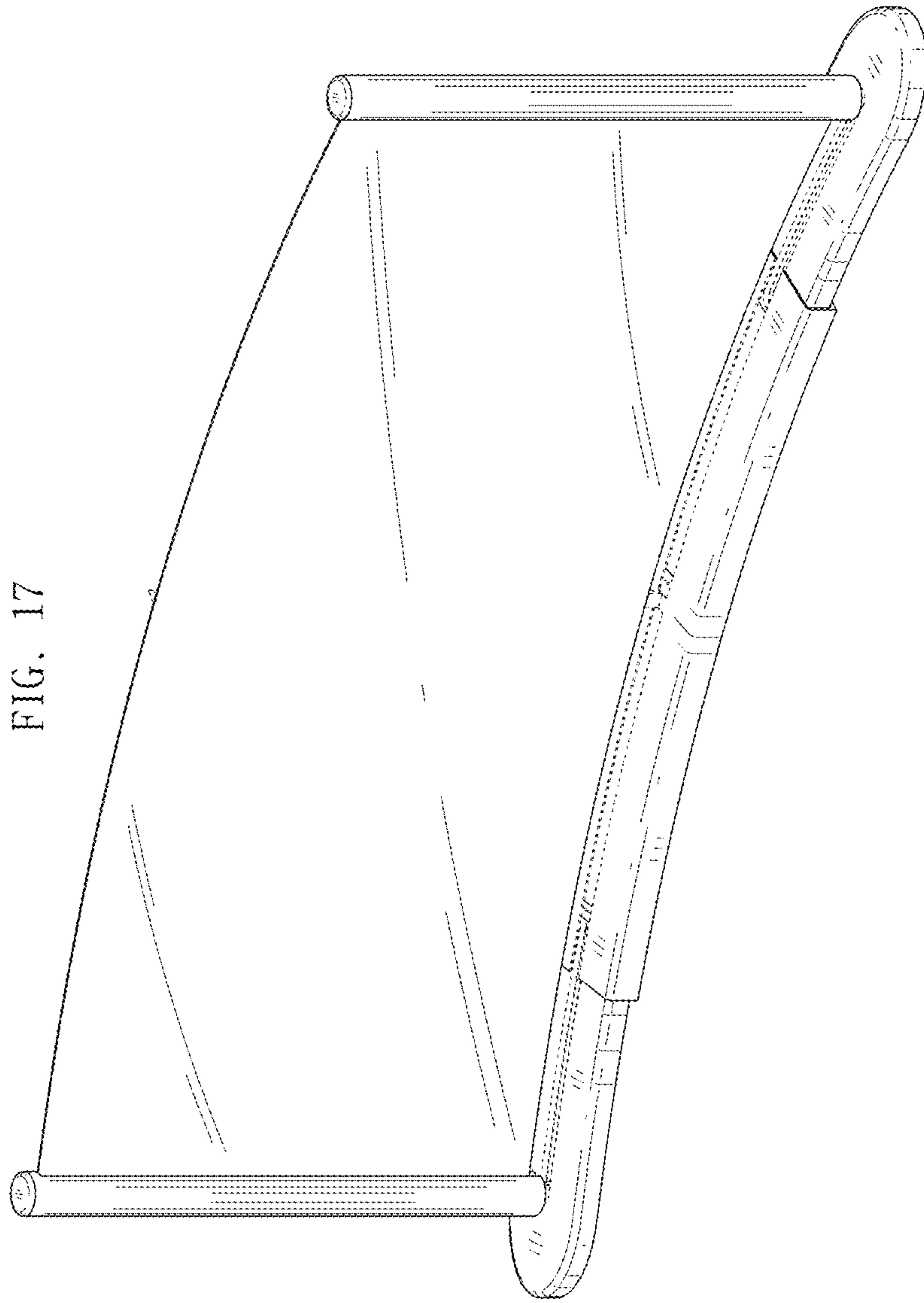


FIG. 17

FIG. 18

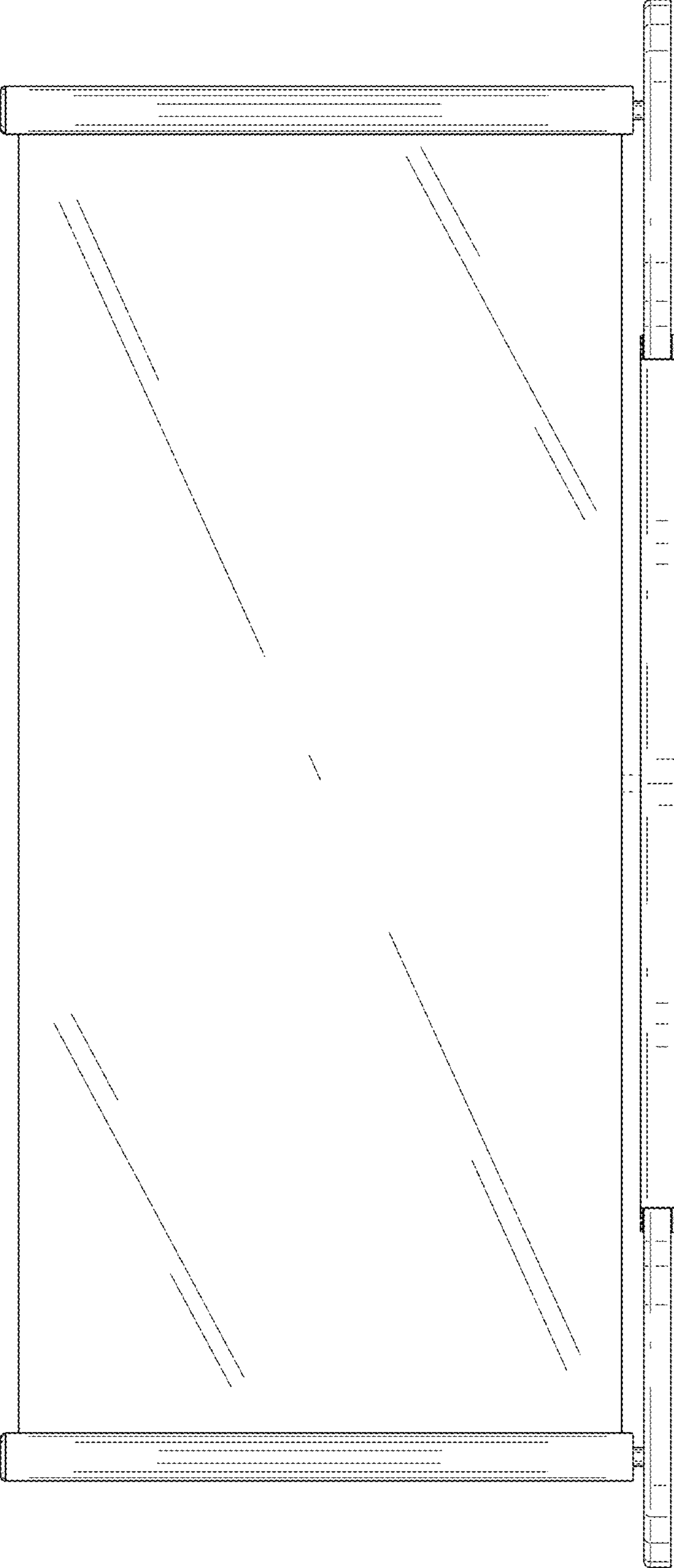




FIG. 19

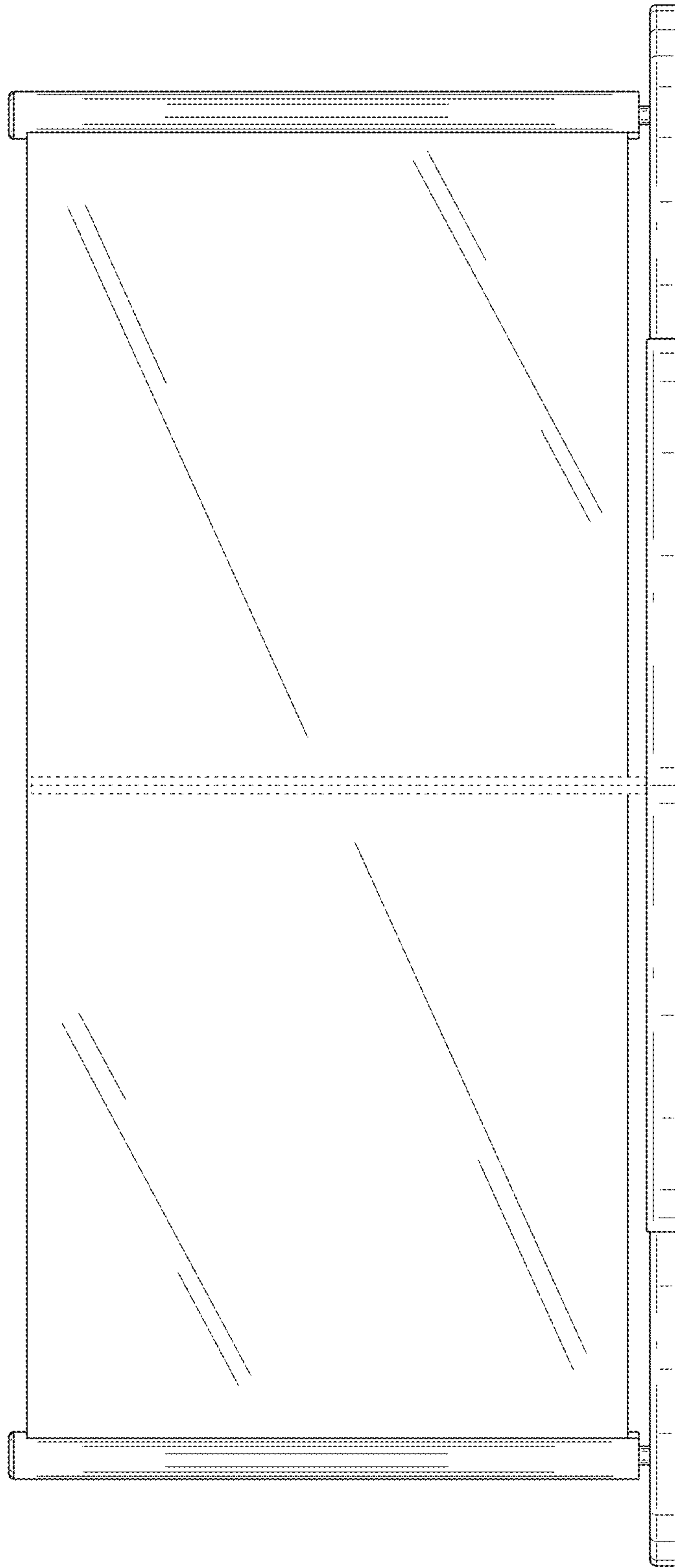


FIG. 20

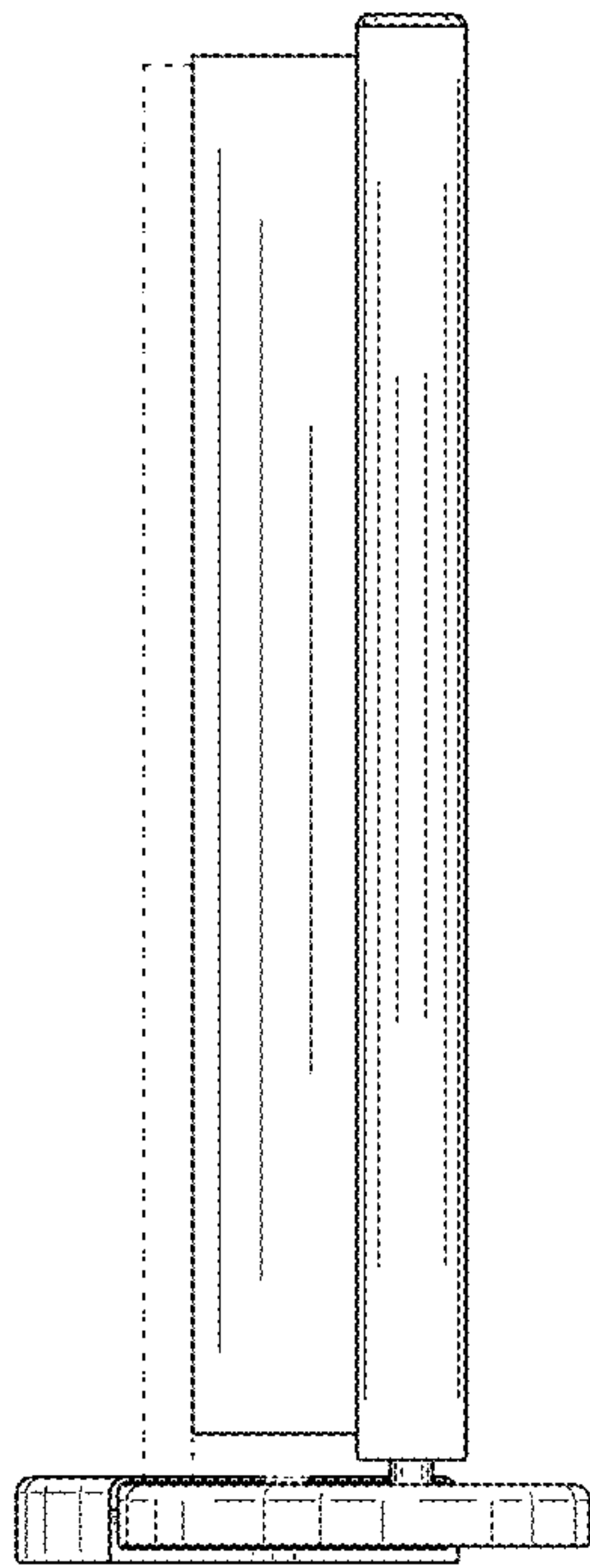


FIG. 21

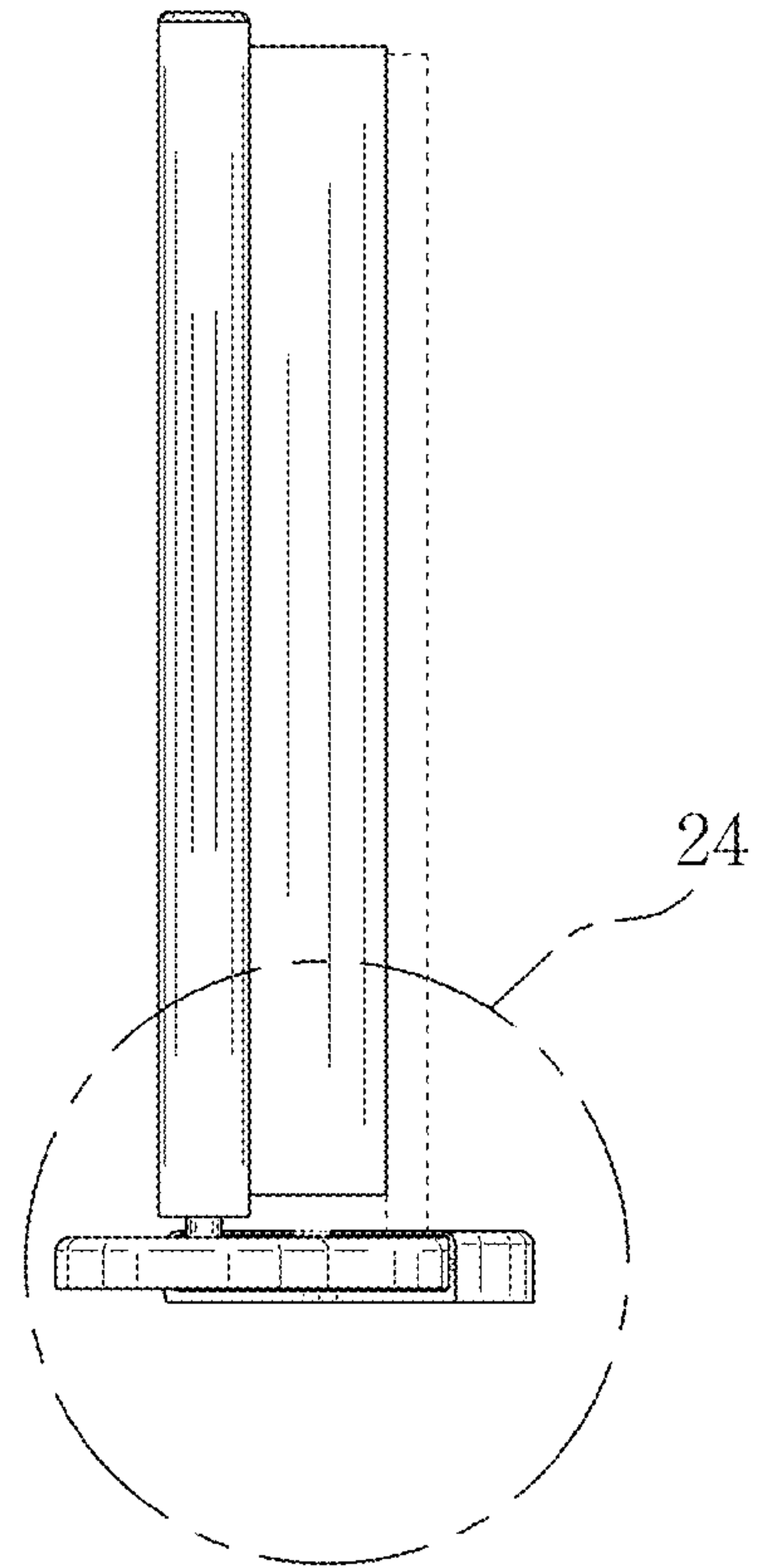


FIG. 22

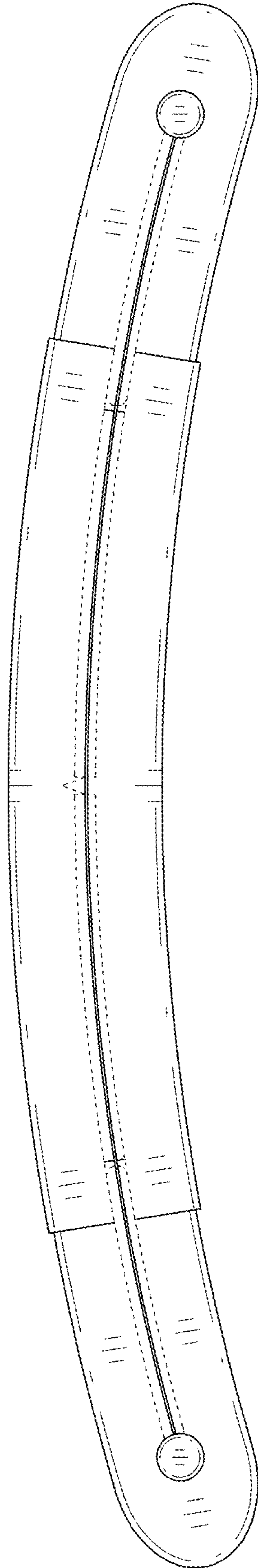


FIG. 23

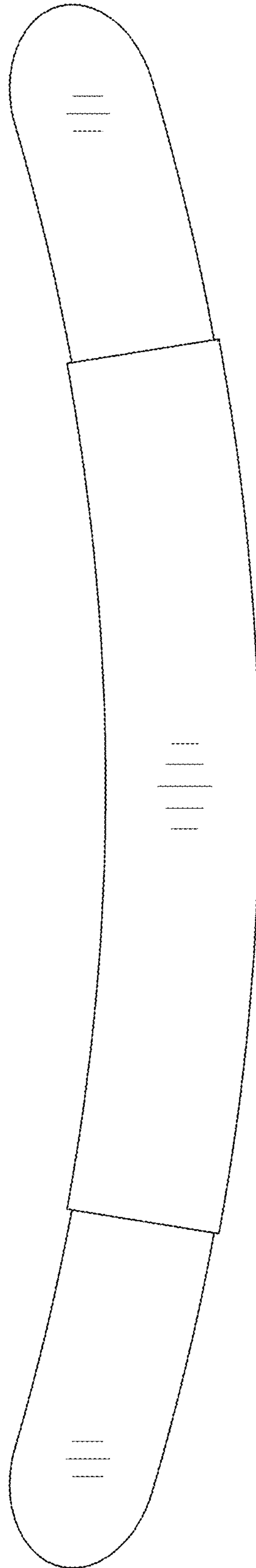


FIG. 24

