



US00D806658S

(12) **United States Design Patent** (10) **Patent No.:** **US D806,658 S**
Chui et al. (45) **Date of Patent:** **** Jan. 2, 2018**

(54) **CONTROL PANEL** 5,209,089 A * 5/1993 Nelson A44B 15/002
40/330

(71) Applicant: **Samsung Electronics Co., Ltd.**,
Suwon-si (KR) D339,996 S * 10/1993 Rattley D10/104.1
D343,387 S * 1/1994 Keene D13/168
D351,828 S * 10/1994 Pucci D13/168
D380,895 S * 7/1997 Tsui D3/208

(72) Inventors: **Kenny Chui**, Campbell, CA (US); **Won Seok Choi**, Fullerton, CA (US) D406,542 S * 3/1999 Mik D10/104.1
D409,510 S * 5/1999 McDonald D10/104.1
D453,515 S * 2/2002 Brewer D14/435
D456,987 S * 5/2002 Kreischer D10/104.1
D459,314 S * 6/2002 Flick D10/104.1
D462,972 S * 9/2002 Smyth D14/478
6,543,161 B2 * 4/2003 Chin G09F 3/20
40/299.01

(73) Assignee: **SAMSUNG ELECTRONICS CO., LTD.**, Suwon-si (KR) D475,890 S * 6/2003 Mazonkey D13/168
D476,693 S * 7/2003 Yuran D20/22
D488,921 S * 4/2004 Zhang D3/209
D493,493 S * 7/2004 Howard D20/27
D494,489 S * 8/2004 Tulloch D10/106.1

(**) Term: **15 Years**

(21) Appl. No.: **29/562,496**

(22) Filed: **Apr. 26, 2016**

(51) **LOC (11) Cl.** **14-03**

(52) **U.S. Cl.**
USPC **D13/168**; D13/162

(58) **Field of Classification Search**
USPC D13/168, 162; D10/104.1, 106.1;
D3/207, 208; D20/27; D30/155
CPC ... B60R 2225/00; B60R 25/00; B60R 25/104;
H01H 9/02; H01H 9/0214; H01H 9/0235;
G07C 9/00944; G05B 1/01; E05B
19/0082; E05B 19/04; Y10T 70/8676
See application file for complete search history.

(Continued)

Primary Examiner — Selina Sikder
(74) *Attorney, Agent, or Firm* — McAndrews Held & Malloy, Ltd.

(57) **CLAIM**

The ornamental design for a control panel, as shown and described.

DESCRIPTION

FIG. 1 is a front perspective view of a control panel showing our new design;
FIG. 2 is a front elevation view thereof;
FIG. 3 is a rear elevation view thereof;
FIG. 4 is a right-side elevation view thereof;
FIG. 5 is a left-side elevation view thereof;
FIG. 6 is a top plan view thereof; and,
FIG. 7 is a bottom plan view thereof.
The broken lines in the drawings illustrate portions of the control panel that form no part of the claimed design.

1 Claim, 3 Drawing Sheets

(56) **References Cited**

U.S. PATENT DOCUMENTS

1,452,250 A * 4/1923 Moore G09F 3/18
40/299.01

D221,118 S * 7/1971 Chambers D20/22

4,738,817 A * 4/1988 Wittwer A61J 3/07
106/138.1

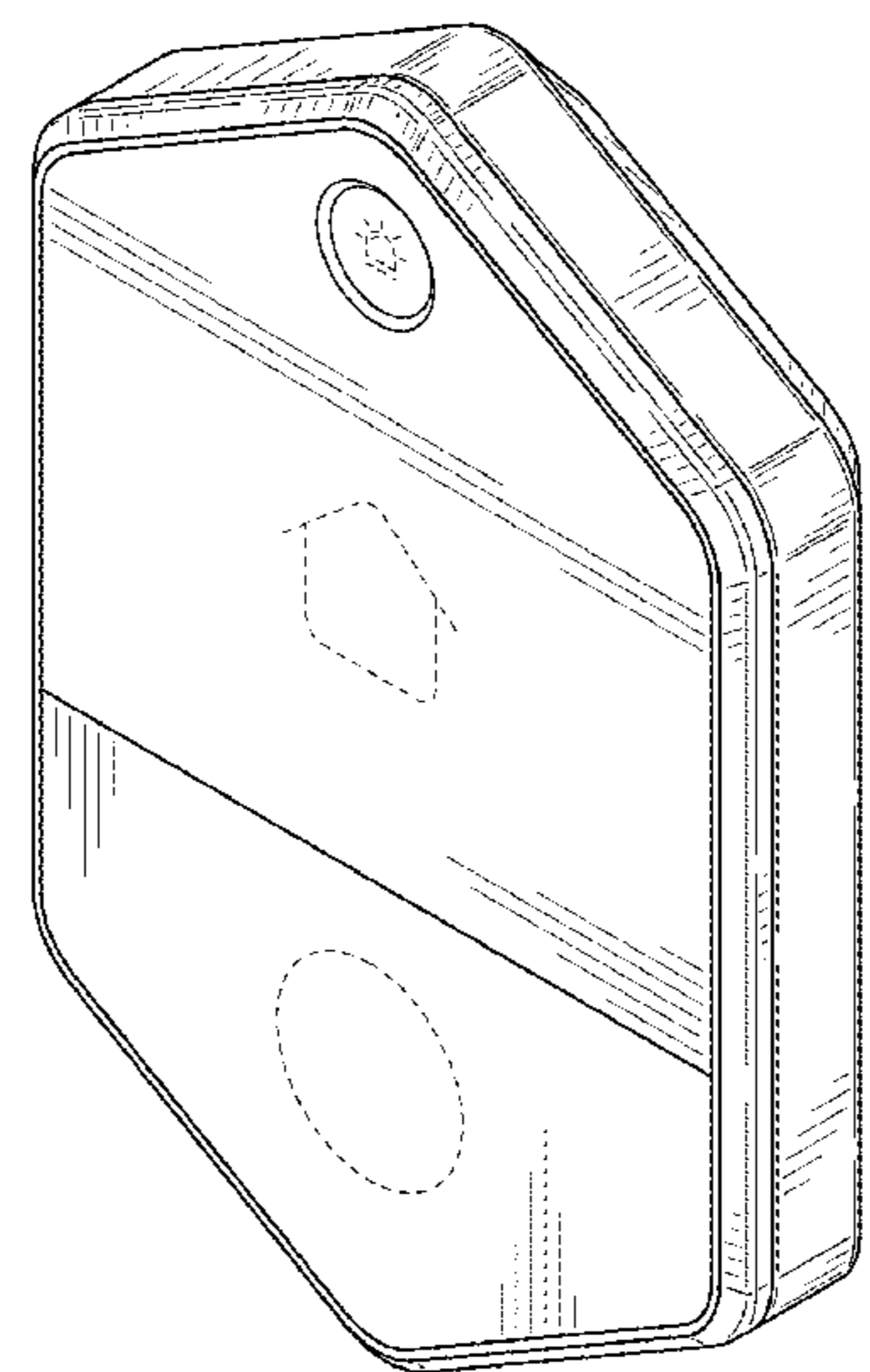
4,821,543 A * 4/1989 Scungio A44B 15/00
206/37.1

D313,973 S * 1/1991 Walker D13/168

D319,804 S * 9/1991 Johnson D10/15

5,180,192 A * 1/1993 Herbert G06K 19/04
235/382.5

D334,735 S * 4/1993 Cameron D13/168



(56)

References Cited

U.S. PATENT DOCUMENTS

D510,384 S * 10/2005 Allen D19/10
D514,527 S * 2/2006 DiPasquale D13/168
D544,706 S * 6/2007 Rimon D3/207
D550,302 S * 9/2007 Luciano, Jr. D13/174
D558,445 S * 1/2008 Phillips D3/208
D568,390 S * 5/2008 Law D14/436
D571,855 S * 6/2008 Law D14/436
D574,282 S * 8/2008 Hill D10/104.1
7,463,134 B1 * 12/2008 Stilley A45C 11/18
340/5.61
D604,039 S * 11/2009 Fleming D3/207
D606,519 S * 12/2009 Painter D14/218
D665,757 S * 8/2012 Seidl D13/168
D670,043 S * 10/2012 Goldman D30/155
D673,512 S * 1/2013 Huang D13/168
D701,841 S * 4/2014 Huang D13/168
D740,236 S * 10/2015 Terzoli D13/168
D757,691 S * 5/2016 Smith D13/168
D770,316 S * 11/2016 Wilkinson D10/106.2

* cited by examiner

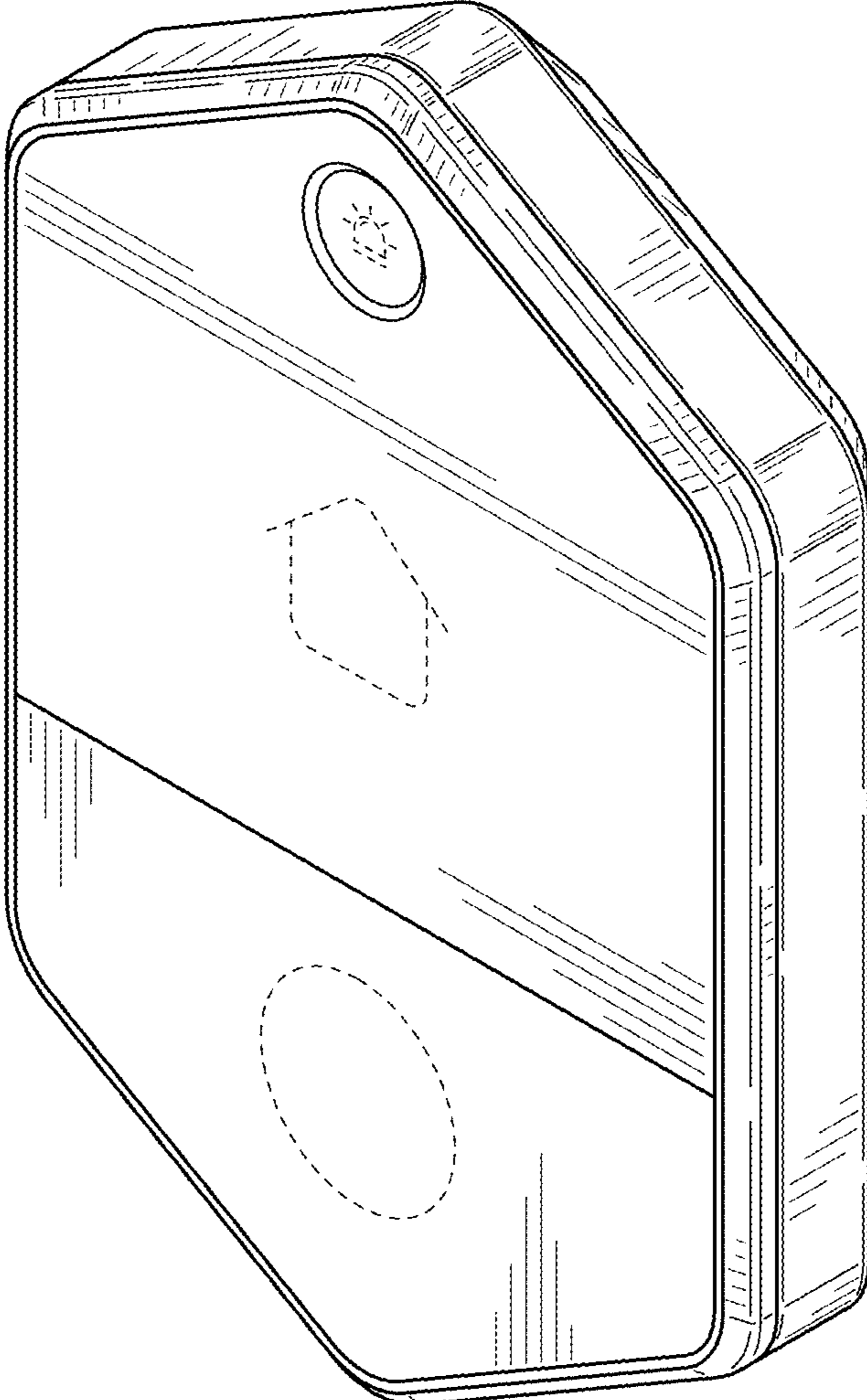


FIG. 1

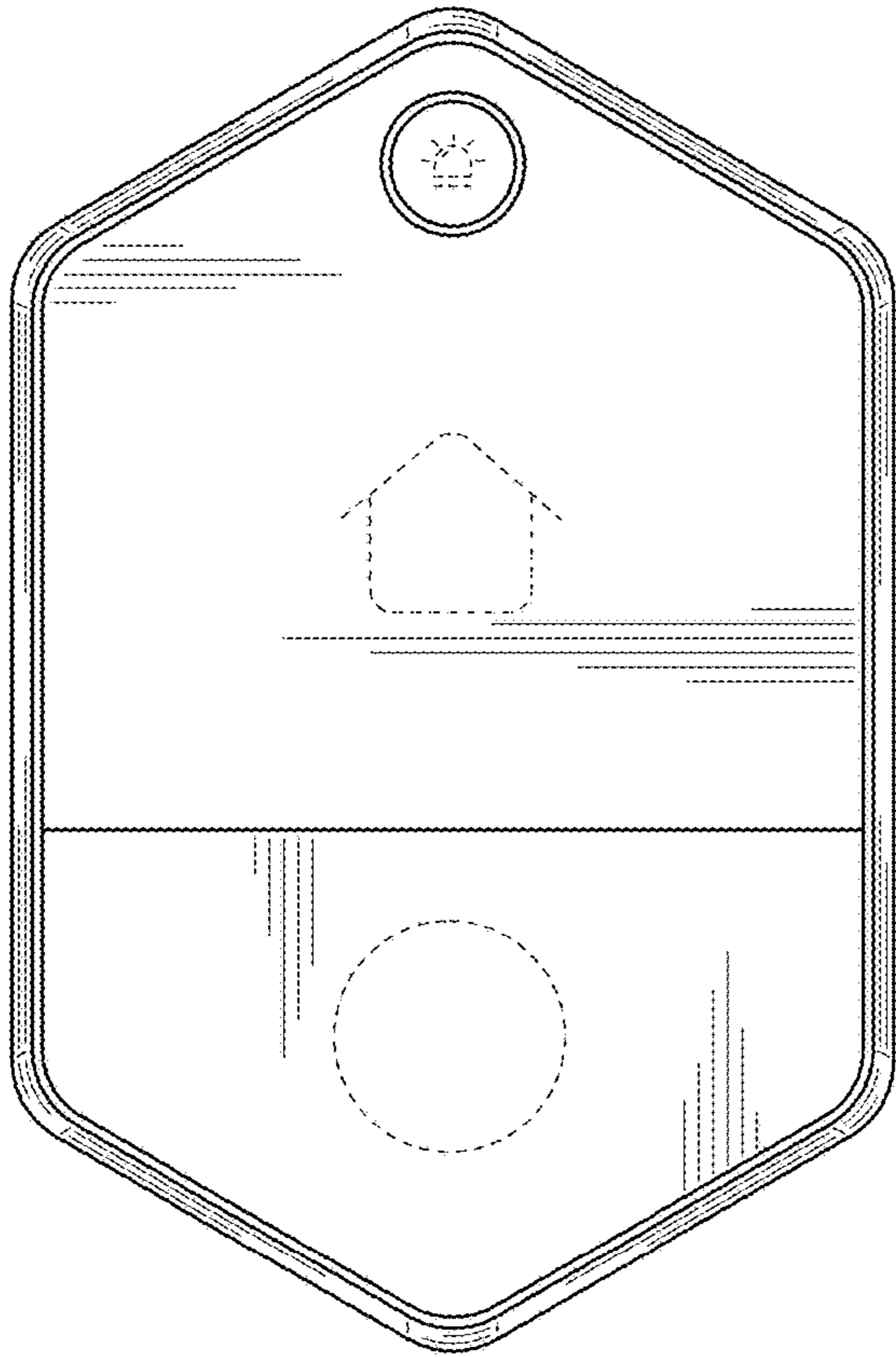


FIG. 2

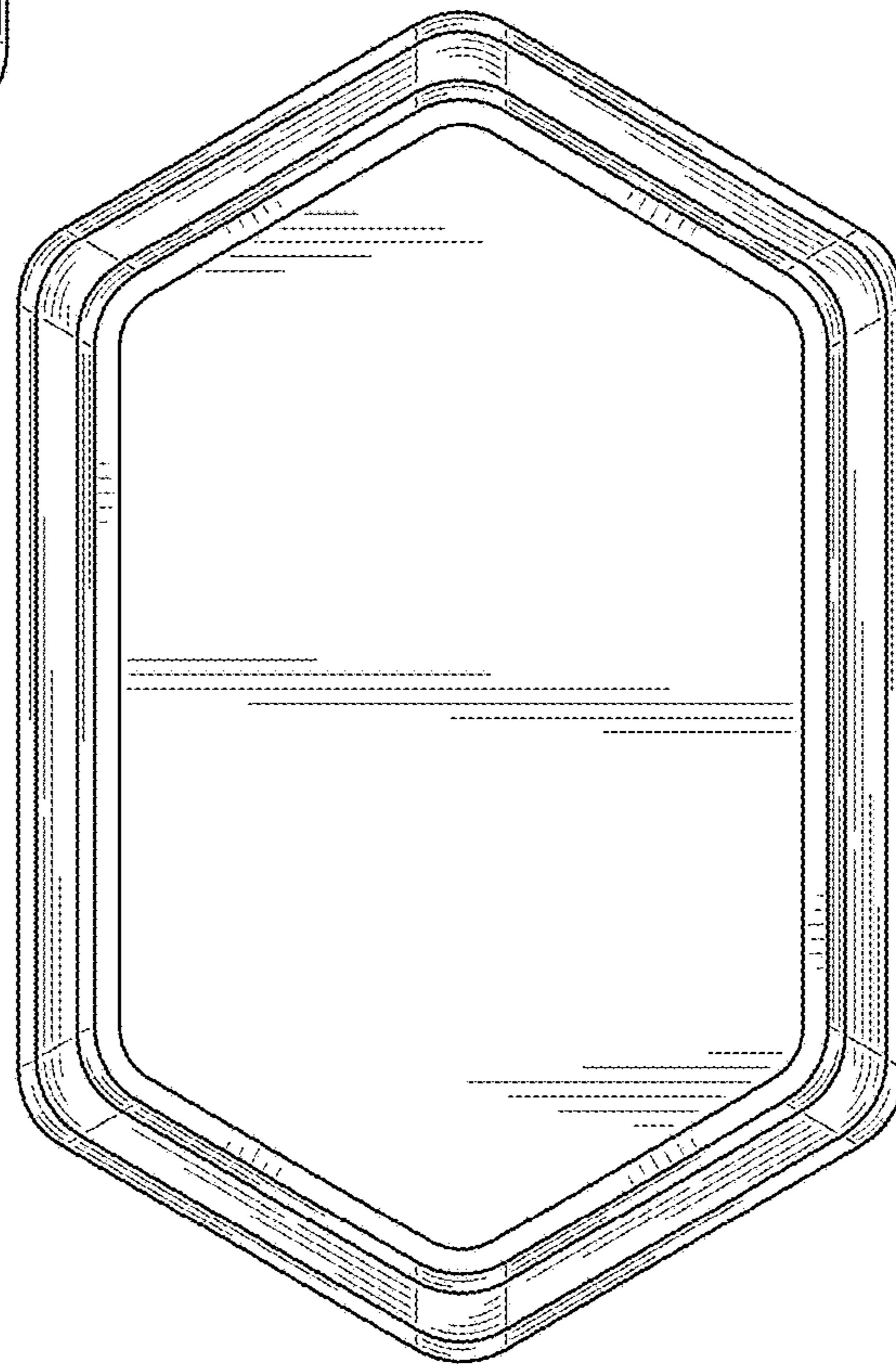


FIG. 3

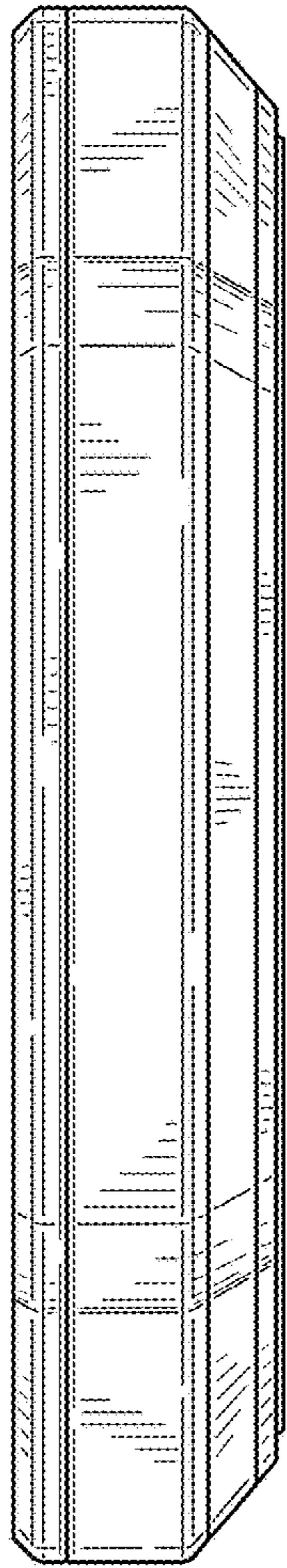


FIG. 4

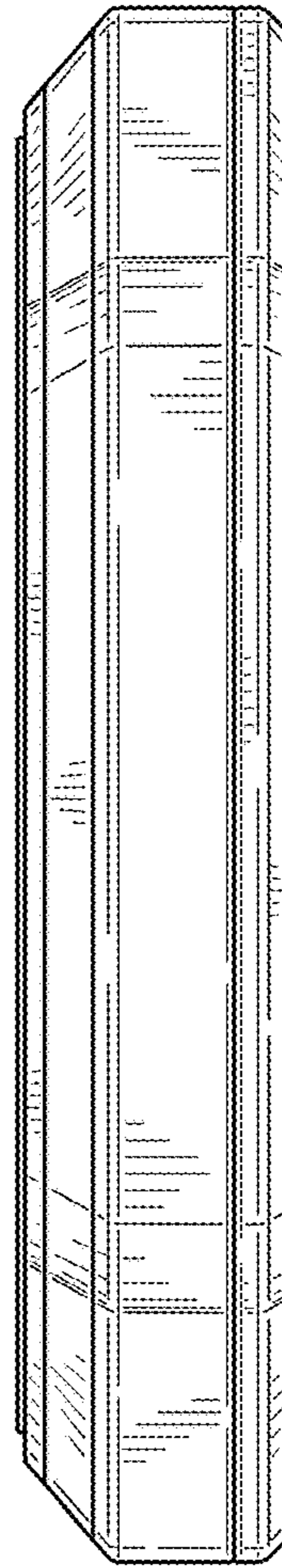


FIG. 5

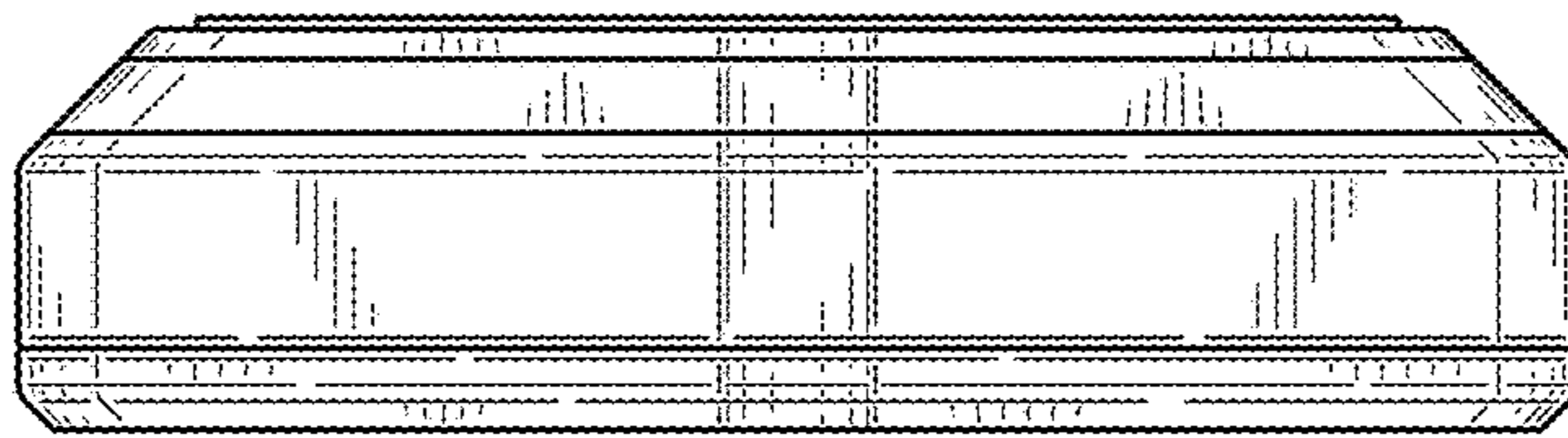


FIG. 6

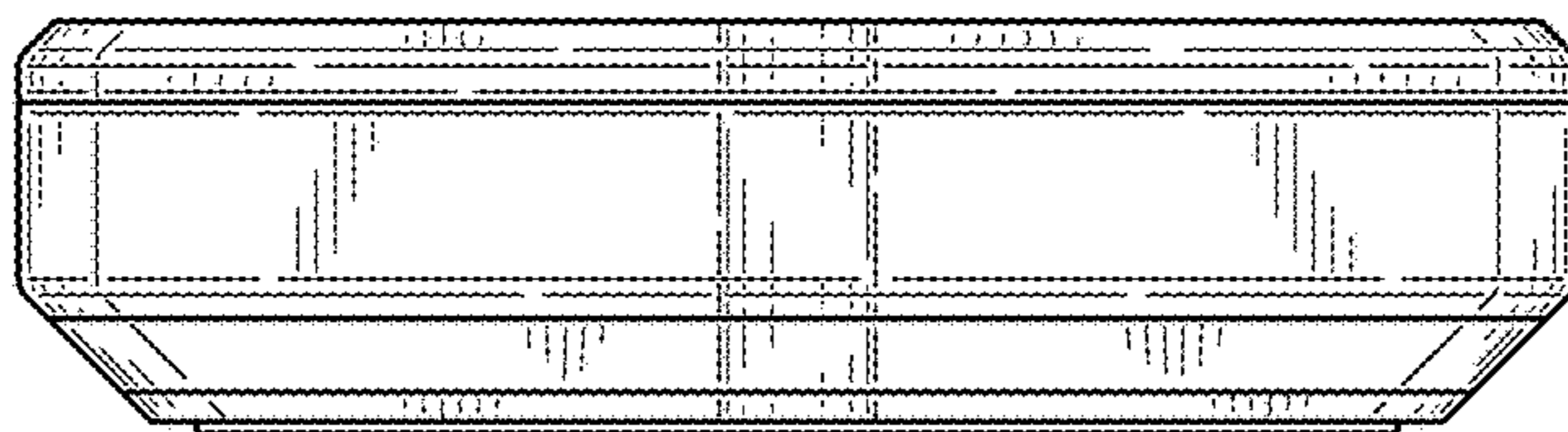


FIG. 7