



US00D806656S

(12) **United States Design Patent**
Popp et al.

(10) **Patent No.:** **US D806,656 S**
(45) **Date of Patent:** **** Jan. 2, 2018**

(54) **CONNECTION CABLE**

(71) Applicant: **Karl Storz GmbH & Co. KG,**
Tuttlingen (DE)

(72) Inventors: **Toralf Popp,** Schaffhausen (CH); **Urs Vogel,** Schaffhausen (CH); **Eugenia Fuhr,** Tuttlingen (DE); **Ulrich Merz,** Tuttlingen (DE)

(73) Assignee: **KARL STORZ GmbH & Co. KG,**
Tuttlingen (DE)

(**) Term: **15 Years**

(21) Appl. No.: **29/589,099**

(22) Filed: **Dec. 28, 2016**

(30) **Foreign Application Priority Data**

Jul. 1, 2016 (EP) 003261957-0002

(51) **LOC (11) Cl.** **13-03**

(52) **U.S. Cl.**
USPC **D13/153**

(58) **Field of Classification Search**
USPC D13/108-110, 133, 137.1-137.4,
D13/138.1-138.2, 139.1-139.8, 152-154,
D13/156, 173, 177, 151, 146, 147, 107;
D14/433, 435.1, 432; D8/350-353, 331,
D8/396, 398, 399, 382, 383, 387, 393,
D8/343; D24/137, 138
CPC H01R 25/00; H01R 25/006; H01R 25/003;
H01R 9/00; H01R 11/00; H01R 13/46;
H01R 13/62; H01R 13/639; H01R
13/6392; H02J 2007/0062; H02G 3/14
See application file for complete search history.

(56) **References Cited**

U.S. PATENT DOCUMENTS

D271,618 S * 11/1983 Nishigaki D16/134
D428,487 S * 7/2000 Renner D24/138

D533,662 S * 12/2006 Nakajima D24/138
D559,781 S * 1/2008 Victor D13/133
D573,102 S * 7/2008 Sheehan D13/153
D591,438 S * 4/2009 Hama D24/133
D600,206 S * 9/2009 Ledbetter D13/110
D619,539 S * 7/2010 Komiyama D13/153
D651,312 S * 12/2011 Halleck D16/202
D693,465 S * 11/2013 Koehler D24/138
D704,642 S * 5/2014 Yamamoto D13/133
D728,472 S * 5/2015 Abe D13/110
D731,972 S * 6/2015 Liu D13/133
D737,217 S * 8/2015 Leidolt D13/153
D743,892 S * 11/2015 Hill D13/133

(Continued)

Primary Examiner — Rosemary K Tarca

Assistant Examiner — Christy M Nemeth

(74) *Attorney, Agent, or Firm* — Muncy, Geissler, Olds & Lowe, P.C.

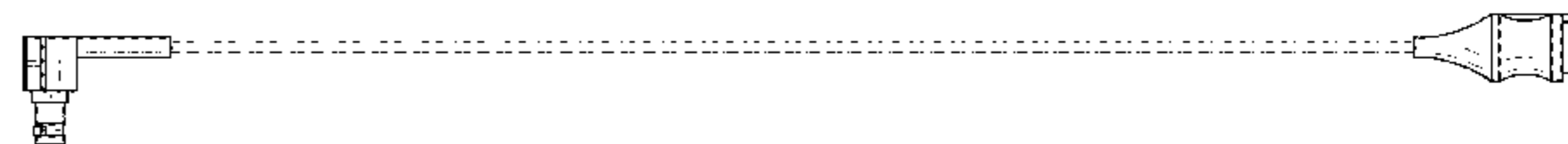
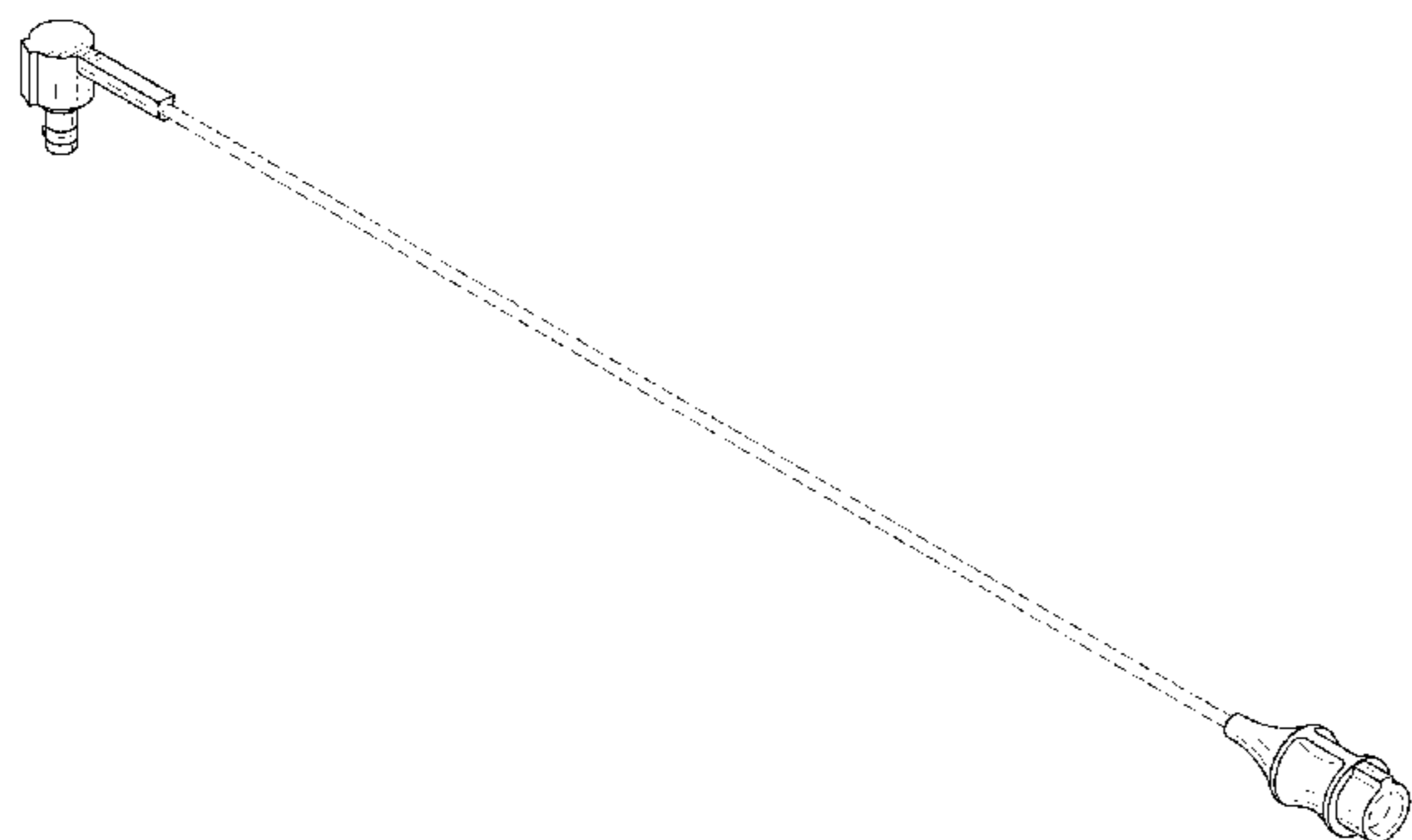
(57) **CLAIM**

The ornamental design for a connection cable, as shown and described.

DESCRIPTION

FIG. 1 is a front perspective view of a connection cable according to the present invention.
FIG. 2 is a front view of the connection cable of FIG. 1.
FIG. 3 is a rear view of the connection cable of FIG. 1.
FIG. 4 is a left side view of the connection cable of FIG. 1.
FIG. 5 is a right side view of the connection cable of FIG. 1.
FIG. 6 is a top view of the connection cable of FIG. 1; and, FIG. 7 is a bottom view of the connection cable of FIG. 1.
The broken lines in the drawings are for the purpose of illustrating portions of the connection cable that form no part of the claimed design.

1 Claim, 7 Drawing Sheets



(56)

References Cited

U.S. PATENT DOCUMENTS

D753,283 S *	4/2016	Efinger	D24/108
D753,593 S *	4/2016	Benedict	D13/133
D771,257 S *	11/2016	Spycher	D24/146
D775,683 S *	1/2017	Shipard	D13/133
D779,427 S *	2/2017	Juds	D13/110
D779,431 S *	2/2017	Aishima	D13/133

* cited by examiner

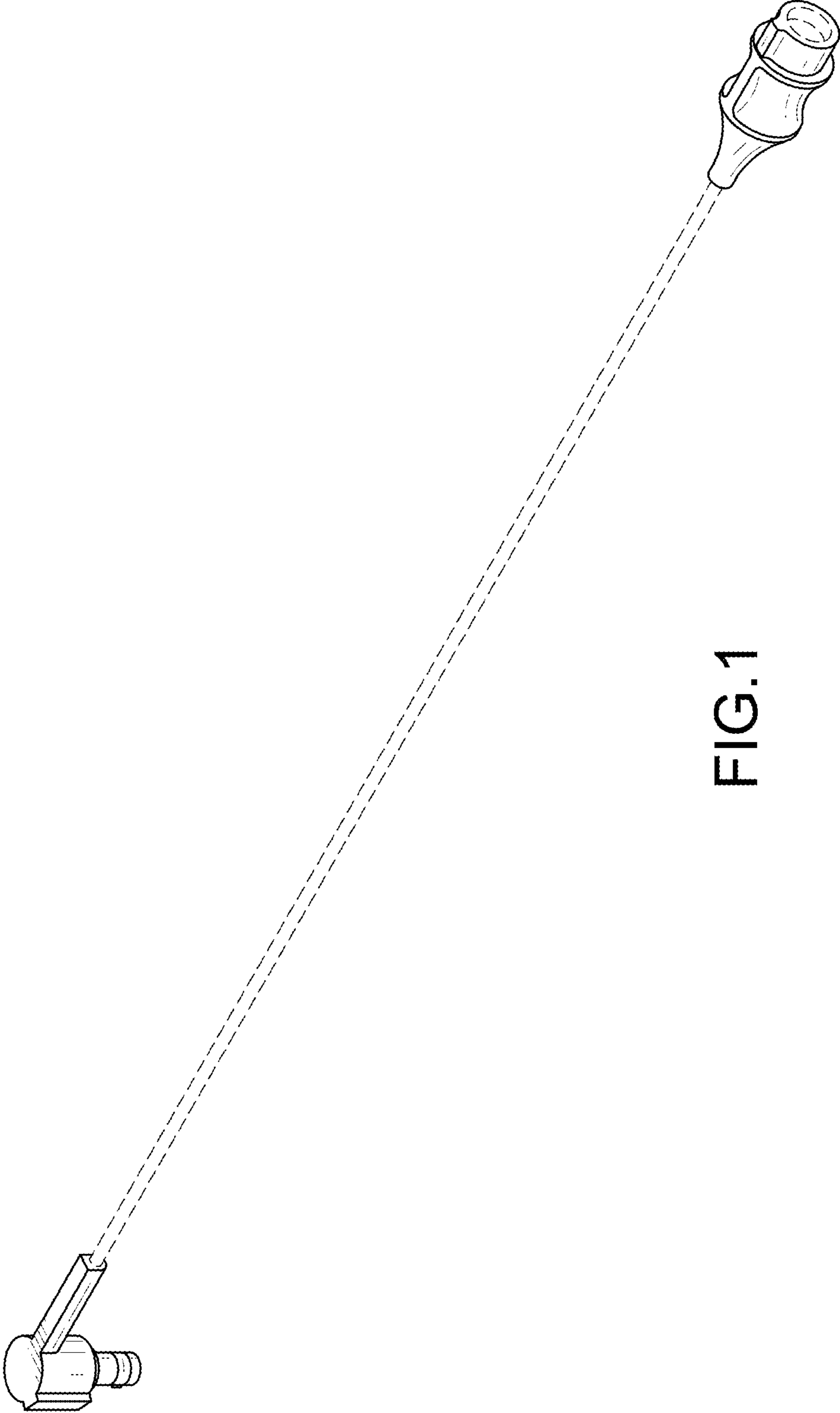


FIG.1

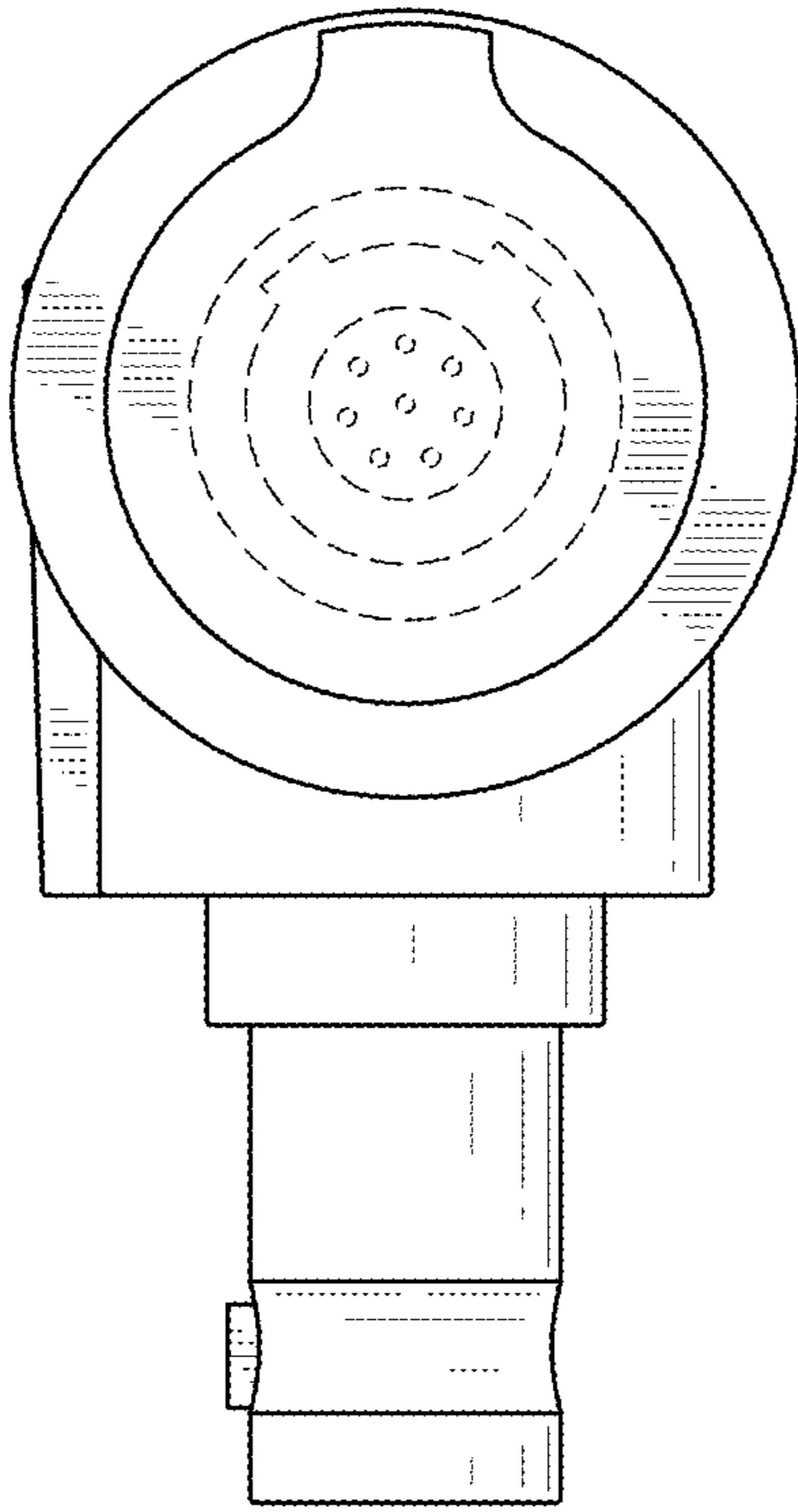


FIG.2

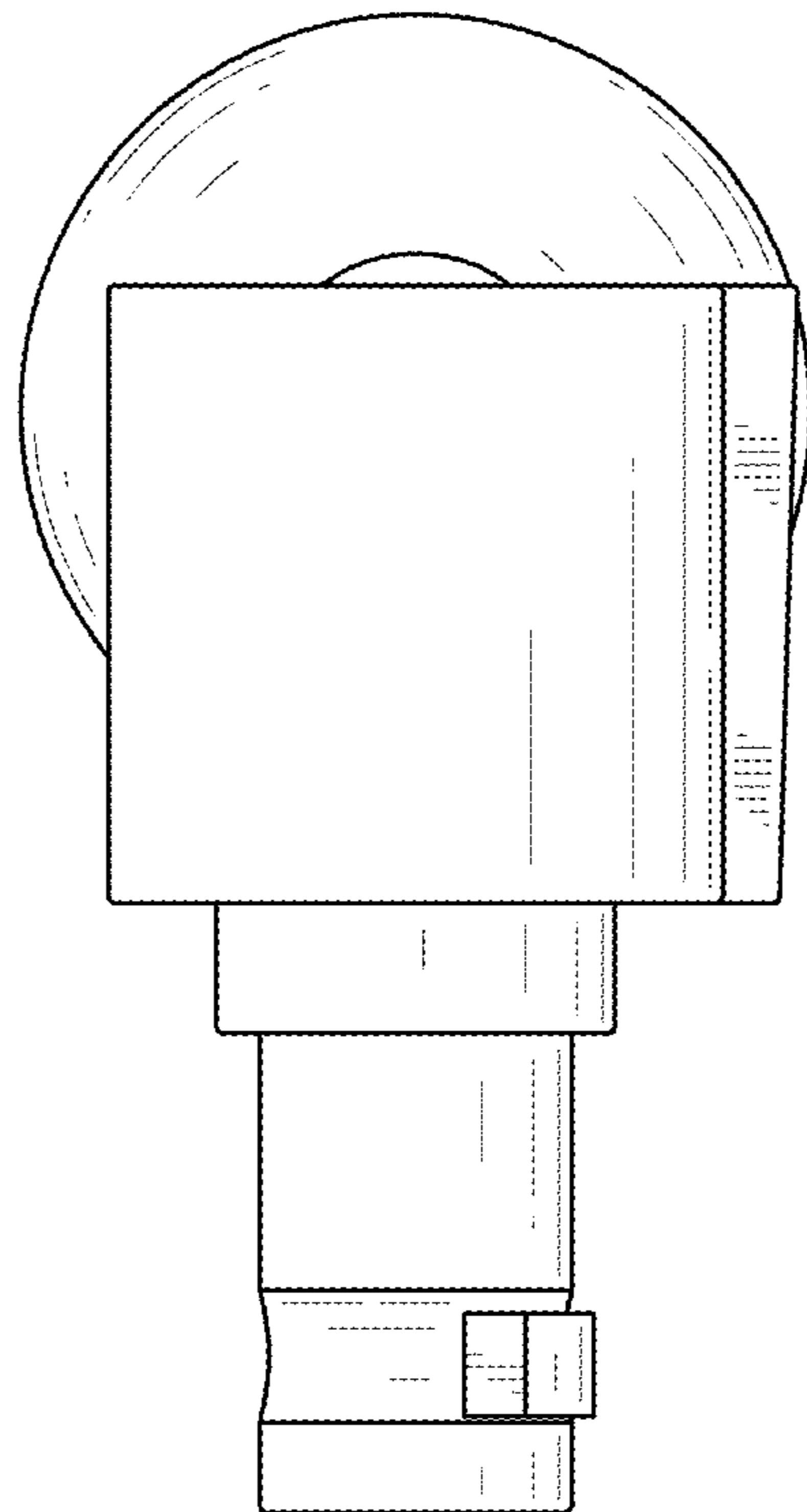


FIG.3

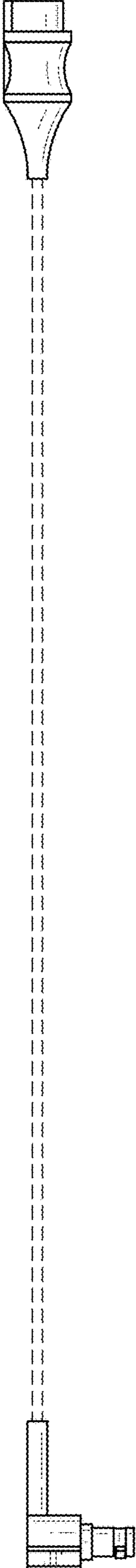


FIG.4

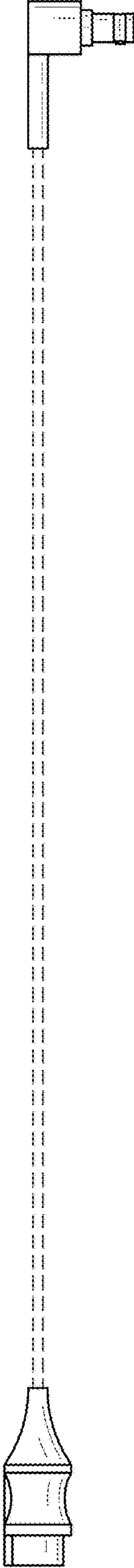


FIG.5

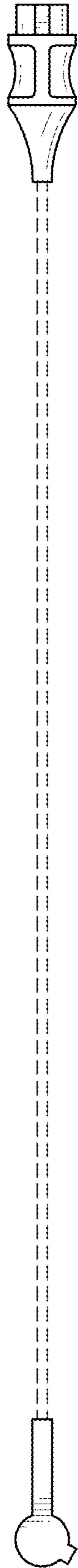


FIG.6

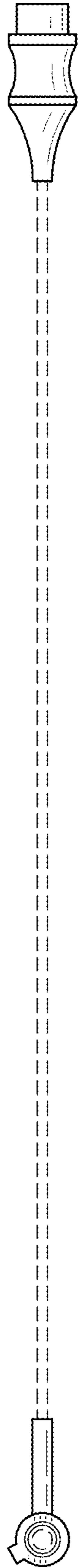


FIG.7