



US00D806653S

(12) **United States Design Patent** (10) **Patent No.:** **US D806,653 S**  
**DeCosta** (45) **Date of Patent:** **\*\* Jan. 2, 2018**

(54) **ELECTRICAL CONNECTOR**  
(71) Applicant: **Thomas DeCosta**, Westport, MA (US)  
(72) Inventor: **Thomas DeCosta**, Westport, MA (US)  
(\*\*) Term: **15 Years**  
(21) Appl. No.: **29/620,251**  
(22) Filed: **Sep. 6, 2016**  
(51) **LOC (11) Cl.** ..... **13-03**  
(52) **U.S. Cl.**  
USPC ..... **D13/133**  
(58) **Field of Classification Search**  
USPC ..... D13/101, 102, 103, 107, 108, 110, 118,  
D13/119, 123, 133, 134, 135, 146, 147,  
D13/148, 149, 150, 151, 153, 154, 155,  
D13/156, 173, 184, 199  
CPC ..... H01R 13/40; H01R 13/64; H01R 13/66;  
H01R 4/00; H01R 4/60; H01R 4/66;  
H01R 13/00; H01R 13/44; H01R 13/52;  
H01R 13/58; H01R 13/62; H01R 24/38;  
H01R 43/00; H01R 43/18; H01R 43/22;  
G02B 6/38; G02B 6/4442; G02B 6/42;  
G02B 6/40; G02B 6/3897; G02B 6/36;  
G02B 6/32; G02B 6/26; G02B 6/24;  
G02B 6/00

See application file for complete search history.

(56) **References Cited**  
U.S. PATENT DOCUMENTS

6,402,393 B1 \* 6/2002 Grimes ..... G02B 6/3897  
385/56  
D481,676 S \* 11/2003 Huang ..... D13/123  
D552,037 S \* 10/2007 Imai ..... D13/147  
D675,566 S \* 2/2013 Jibiki ..... D13/133  
D678,205 S \* 3/2013 Shifris ..... D13/133  
2003/0082951 A1 \* 5/2003 Moriwake ..... H01R 12/707  
439/607.05  
2003/0114032 A1 \* 6/2003 Sakiyama ..... H01R 13/6205  
439/181

2006/0234553 A1 \* 10/2006 Tsai ..... H01R 13/65802  
439/607.01  
2009/0149045 A1 \* 6/2009 Chen ..... H01R 13/6471  
439/92  
2010/0099274 A1 \* 4/2010 Hsieh ..... H05K 1/182  
439/55  
2011/0200294 A1 \* 8/2011 Case ..... G02B 6/3825  
385/135  
2012/0214324 A1 \* 8/2012 Wu ..... H01R 13/6658  
439/271  
2016/0033723 A1 \* 2/2016 Liu ..... G02B 6/3897  
385/56

**OTHER PUBLICATIONS**

Leviton 41085-MLW Quickport Duplex, posted at Nascars.com, posted on Jan. 6, 2016, [online], [site visited May 23, 2017]. Available from Internet, <[https://www.nascars.com/products/Leviton\\_Fiber\\_Connectors](https://www.nascars.com/products/Leviton_Fiber_Connectors)>.\*

(Continued)

*Primary Examiner* — Mary Ann Calabrese  
*Assistant Examiner* — Catherine Ho

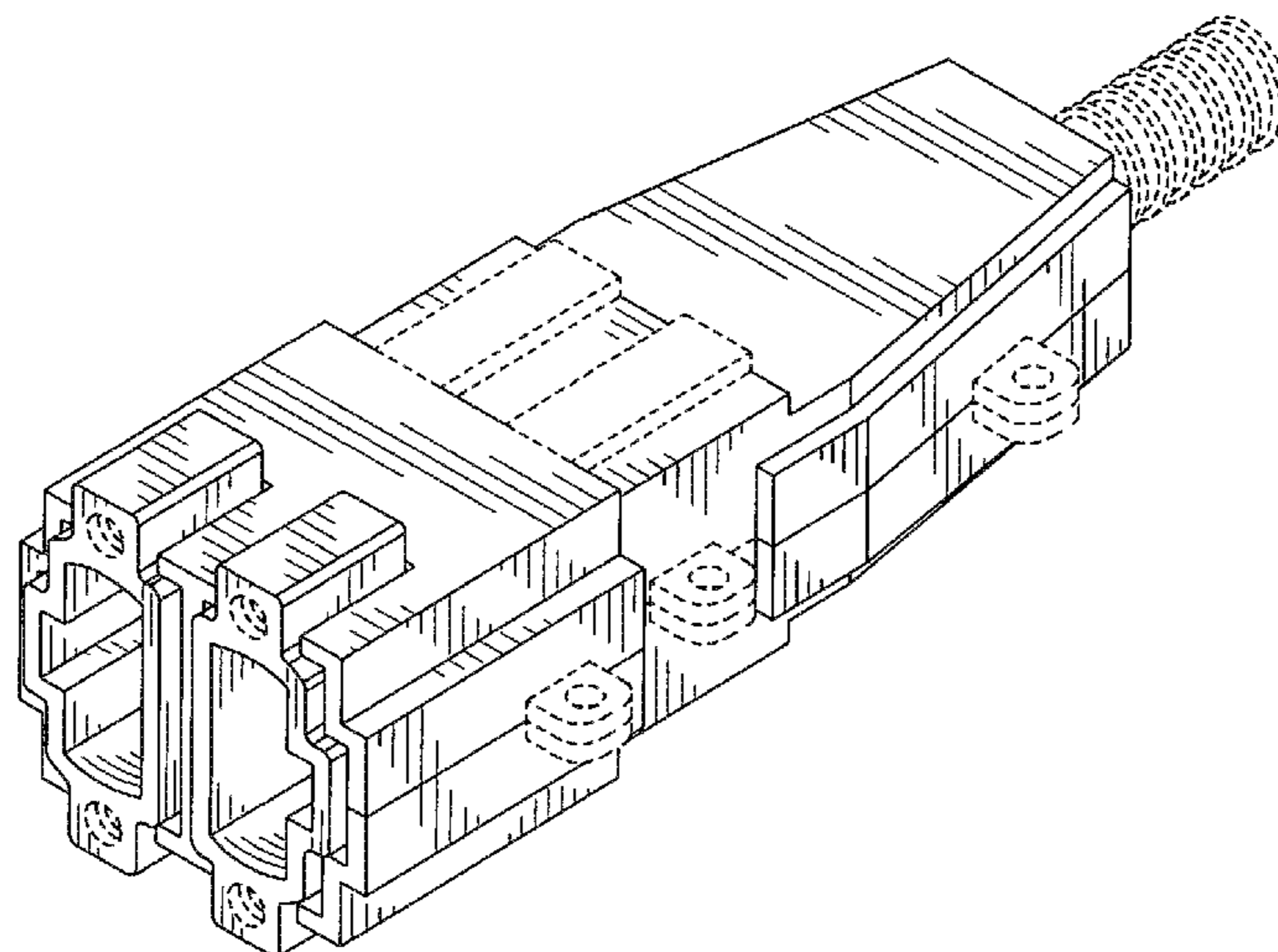
(57) **CLAIM**

The ornamental design for a electrical connector, as shown and described.

**DESCRIPTION**

FIG. 1 is a front perspective view of the electrical connector, employing my new design;  
FIG. 2 is a left side view of FIG. 1;  
FIG. 3 is a right side view of FIG. 1;  
FIG. 4 is a front end view of FIG. 1;  
FIG. 5 is a rear end view of FIG. 1;  
FIG. 6 is a top view of FIG. 1; and,  
FIG. 7 is a bottom view of FIG. 1.  
The broken line portion of the figure drawings is included to show portions of the article that form no part of the claimed design.

**1 Claim, 4 Drawing Sheets**



(56)

**References Cited**

OTHER PUBLICATIONS

Adapter 3M LC, posted at Rozetka.com, posted on Jul. 28, 2016, [online], [site visited May 23, 2017]. Available from Internet, <[http://rozetka.com.ua/3m\\_8661dc/p2790667/](http://rozetka.com.ua/3m_8661dc/p2790667/)>.\*

\* cited by examiner

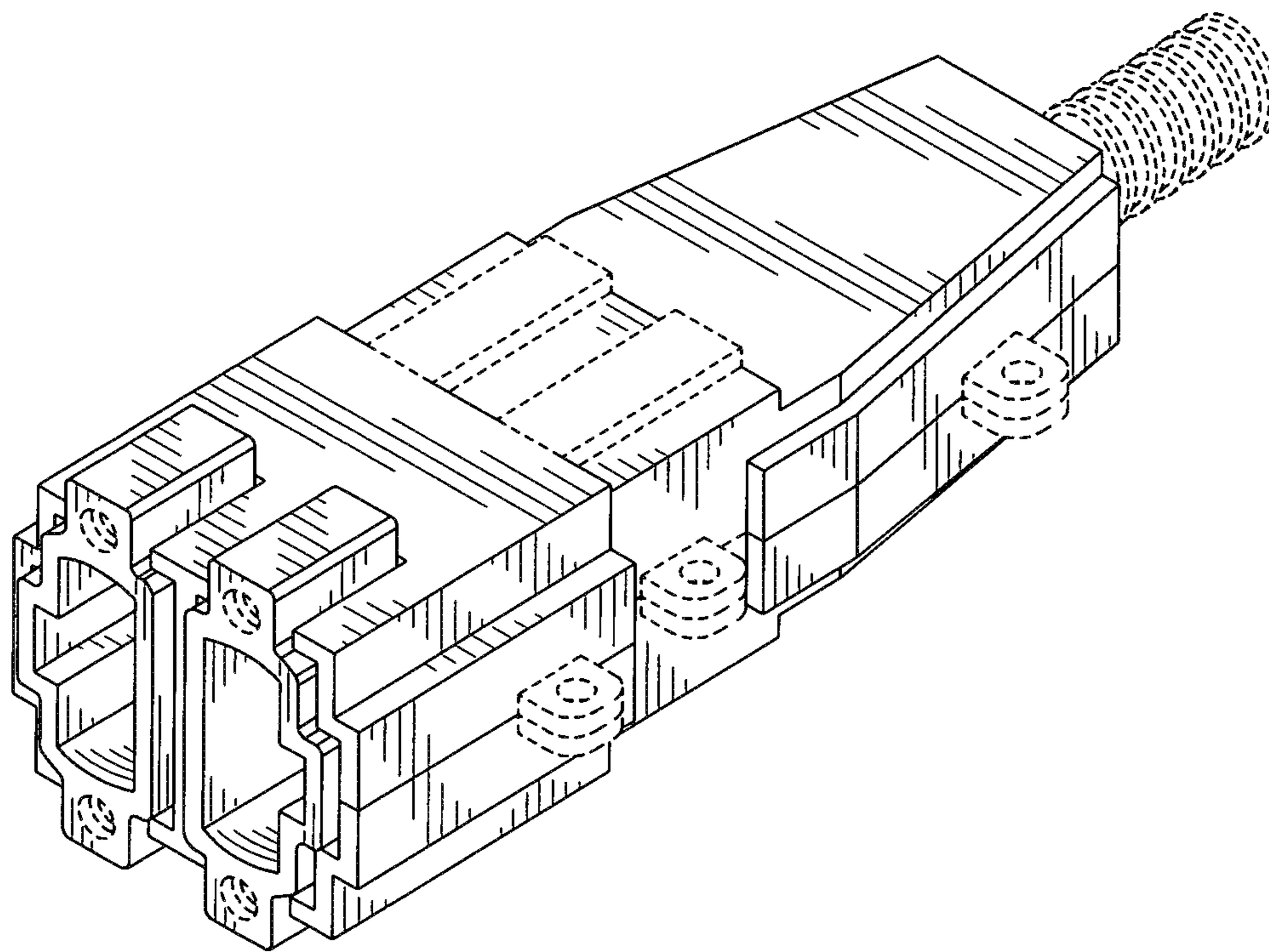


FIG. 1

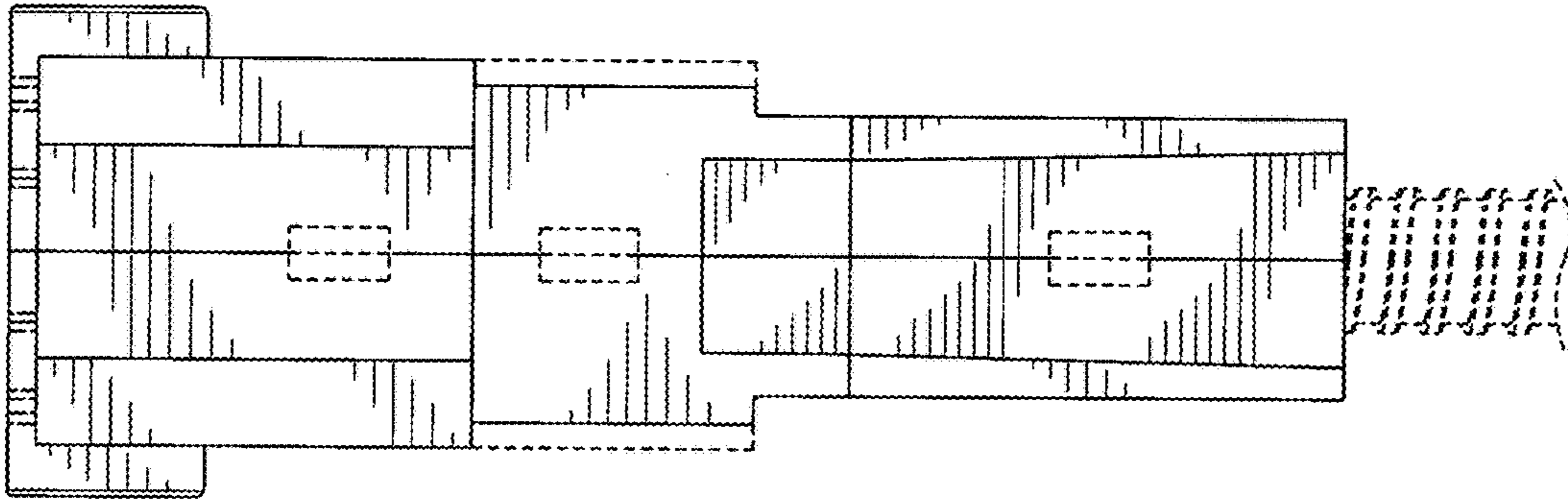


FIG. 2

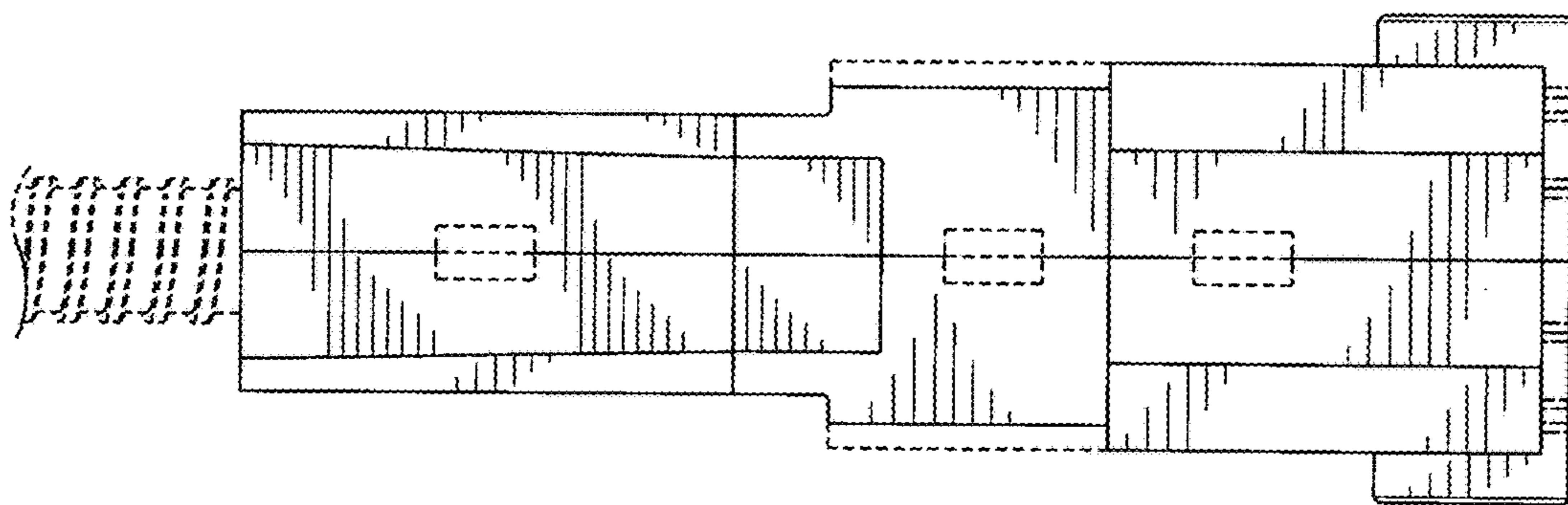


FIG. 3

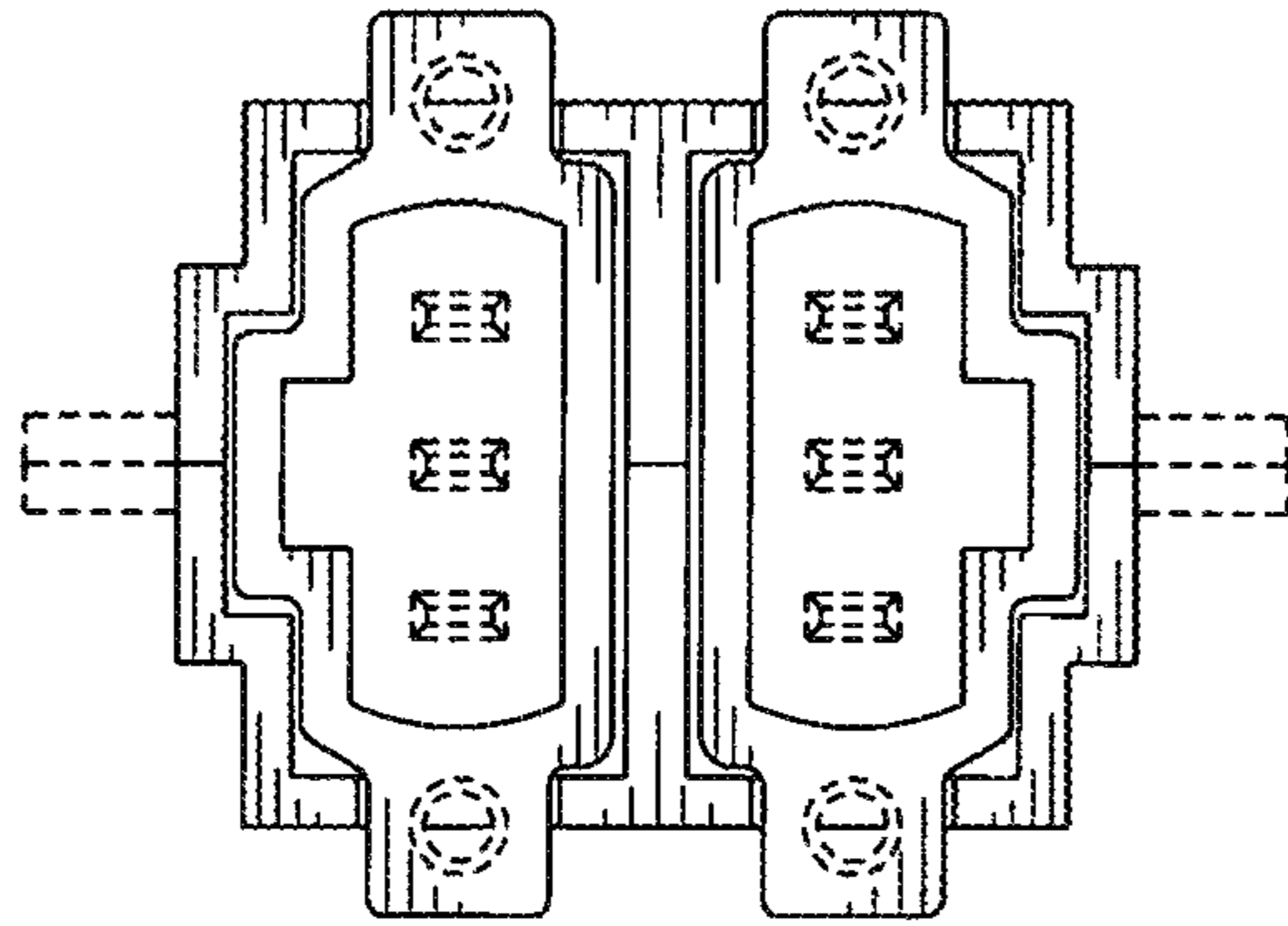


FIG. 4

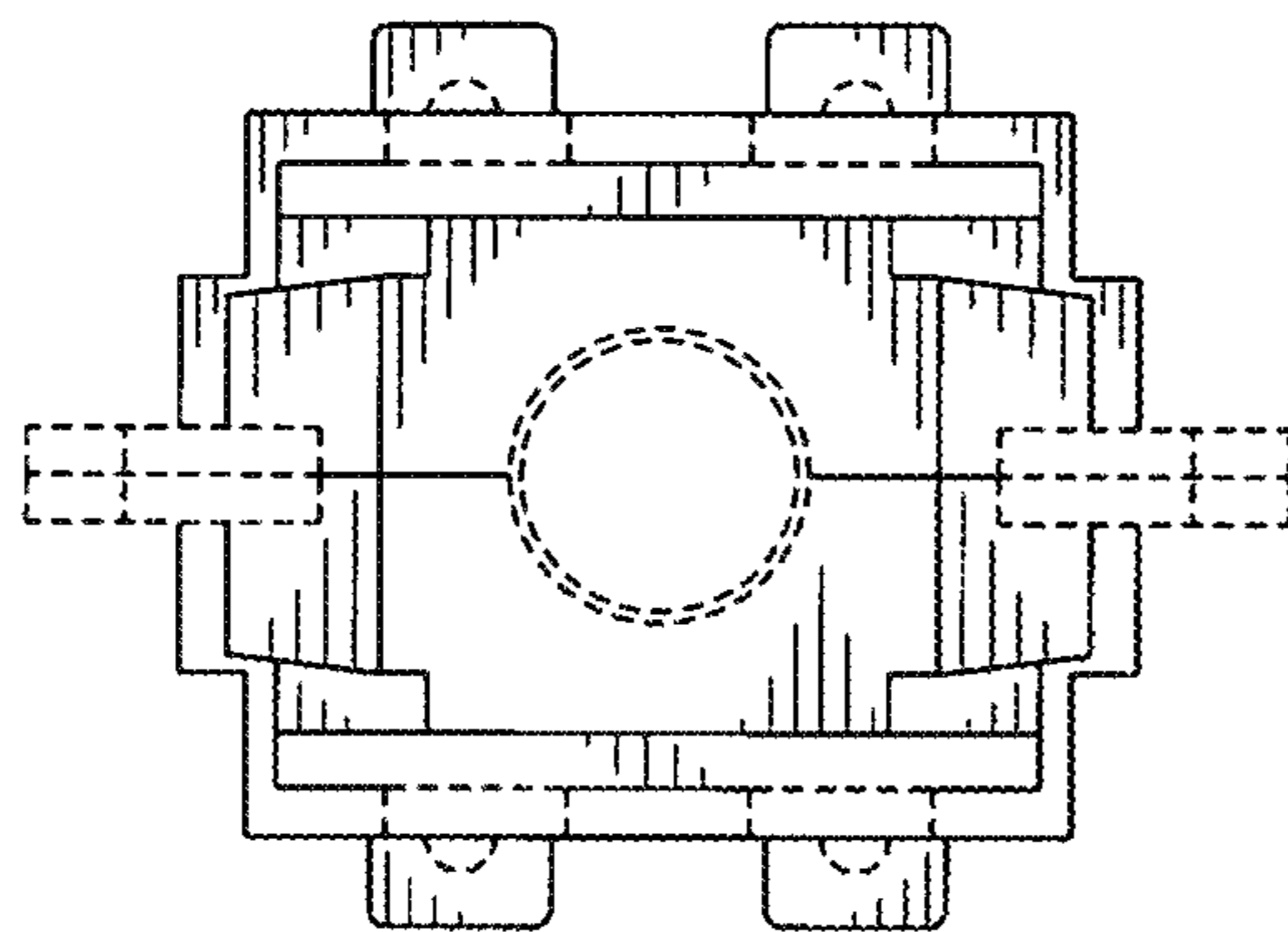


FIG. 5

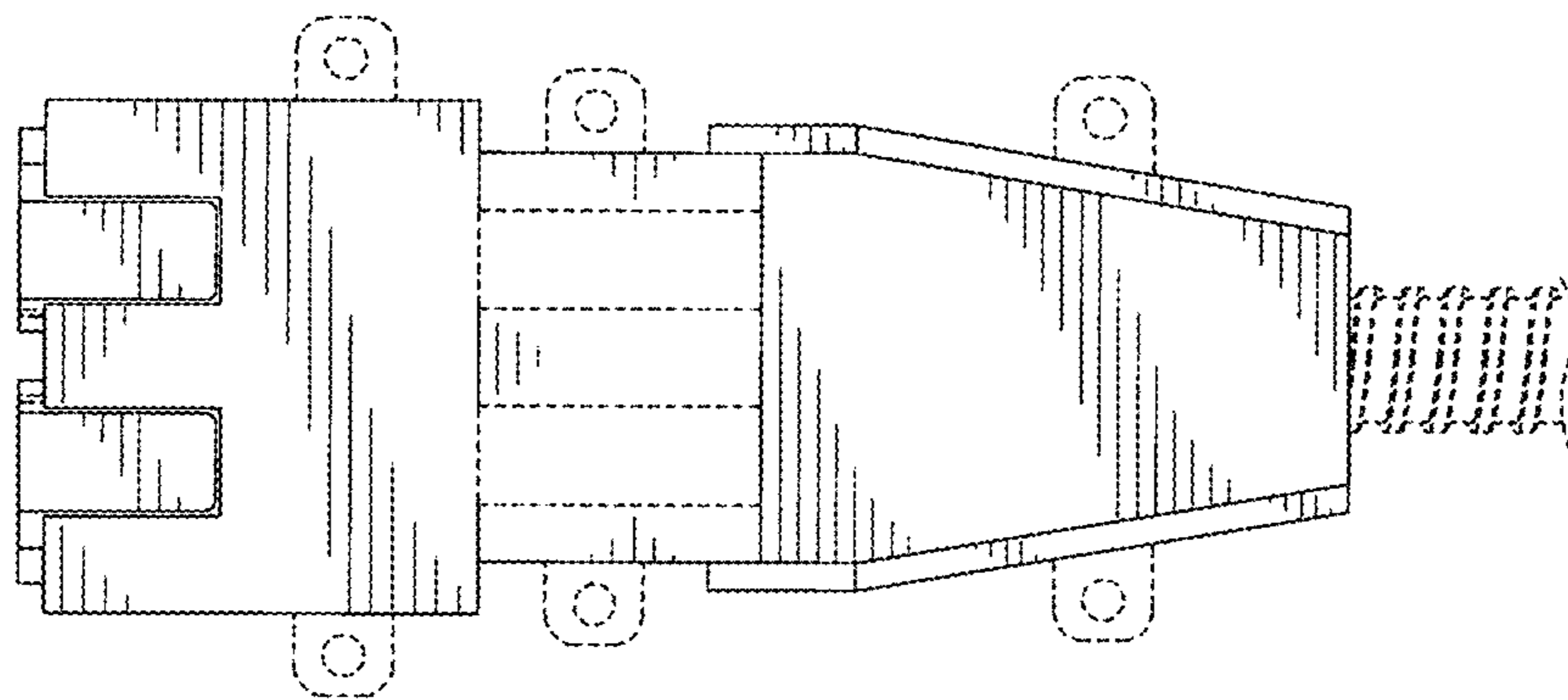


FIG. 6

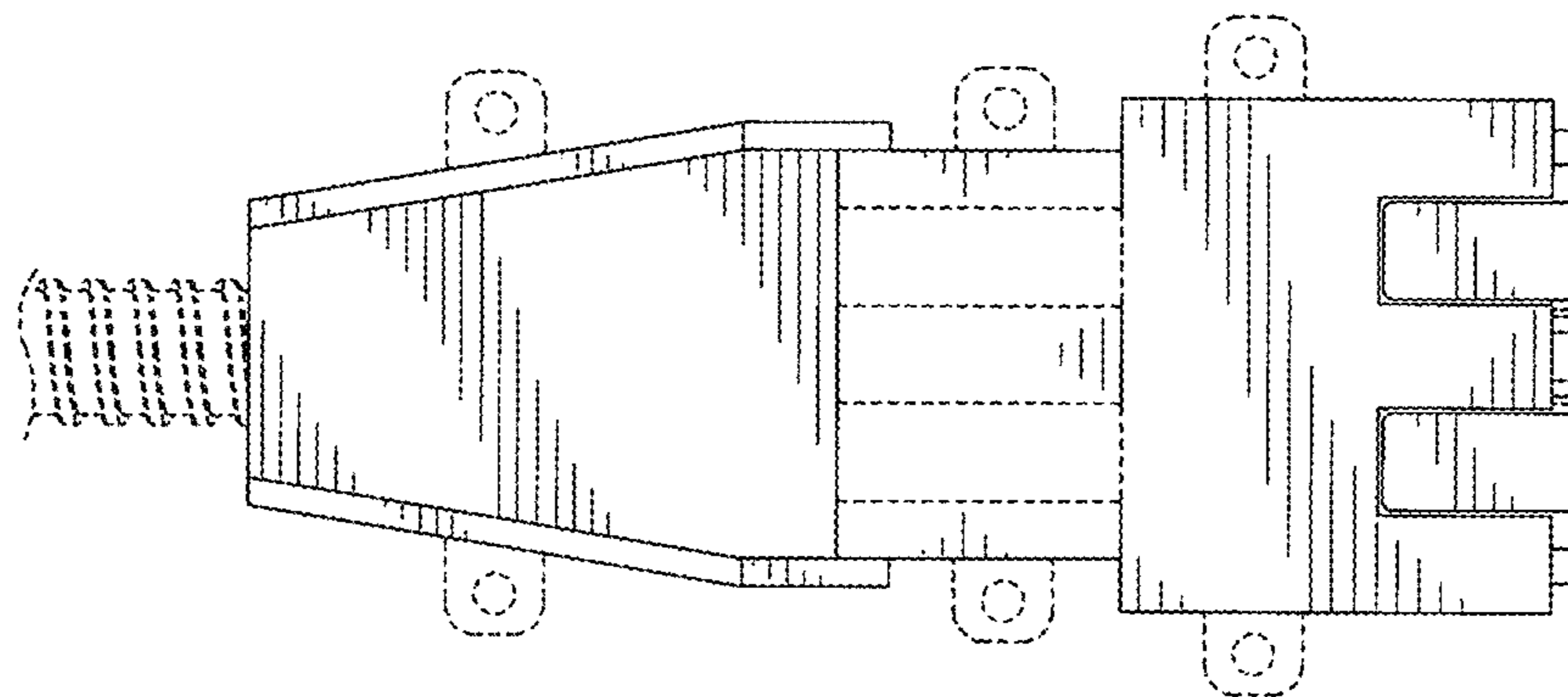


FIG. 7