



US00D806652S

(12) **United States Design Patent**
Lanigan et al.

(10) **Patent No.:** **US D806,652 S**
(45) **Date of Patent:** **** Jan. 2, 2018**

(54) **CONNECTOR**

(71) Applicant: **DEKA Products Limited Partnership**,
Manchester, NH (US)

(72) Inventors: **Richard J. Lanigan**, Concord, NH
(US); **Kevin L. Grant**, Litchfield, NH
(US); **Lisa A. Panneton**, Manchester,
NH (US)

(73) Assignee: **DEKA Products Limited Partnership**,
Manchester, NH (US)

(**) Term: **14 Years**

(21) Appl. No.: **29/459,766**

(22) Filed: **Jul. 3, 2013**

(51) **LOC (11) Cl.** **13-03**

(52) **U.S. Cl.**
USPC **D13/133**

(58) **Field of Classification Search**
USPC D13/101, 103, 110, 123, 133, 154, 155,
D13/184, 199
CPC H01R 12/7005; H01R 13/422; H01R 13/428;
H01R 13/434; H01R 13/639; H01R
23/7005
See application file for complete search history.

(56) **References Cited**

U.S. PATENT DOCUMENTS

D462,659 S *	9/2002	Goto	D13/133
D470,820 S *	2/2003	Goto	D13/133
D767,491 S *	9/2016	Grant	D13/133
D767,492 S *	9/2016	Grant	D13/133

* cited by examiner

Primary Examiner — Thomas Johannes
Assistant Examiner — Shawn T Gingrich

(74) *Attorney, Agent, or Firm* — Michelle Saquet Temple

(57) **CLAIM**

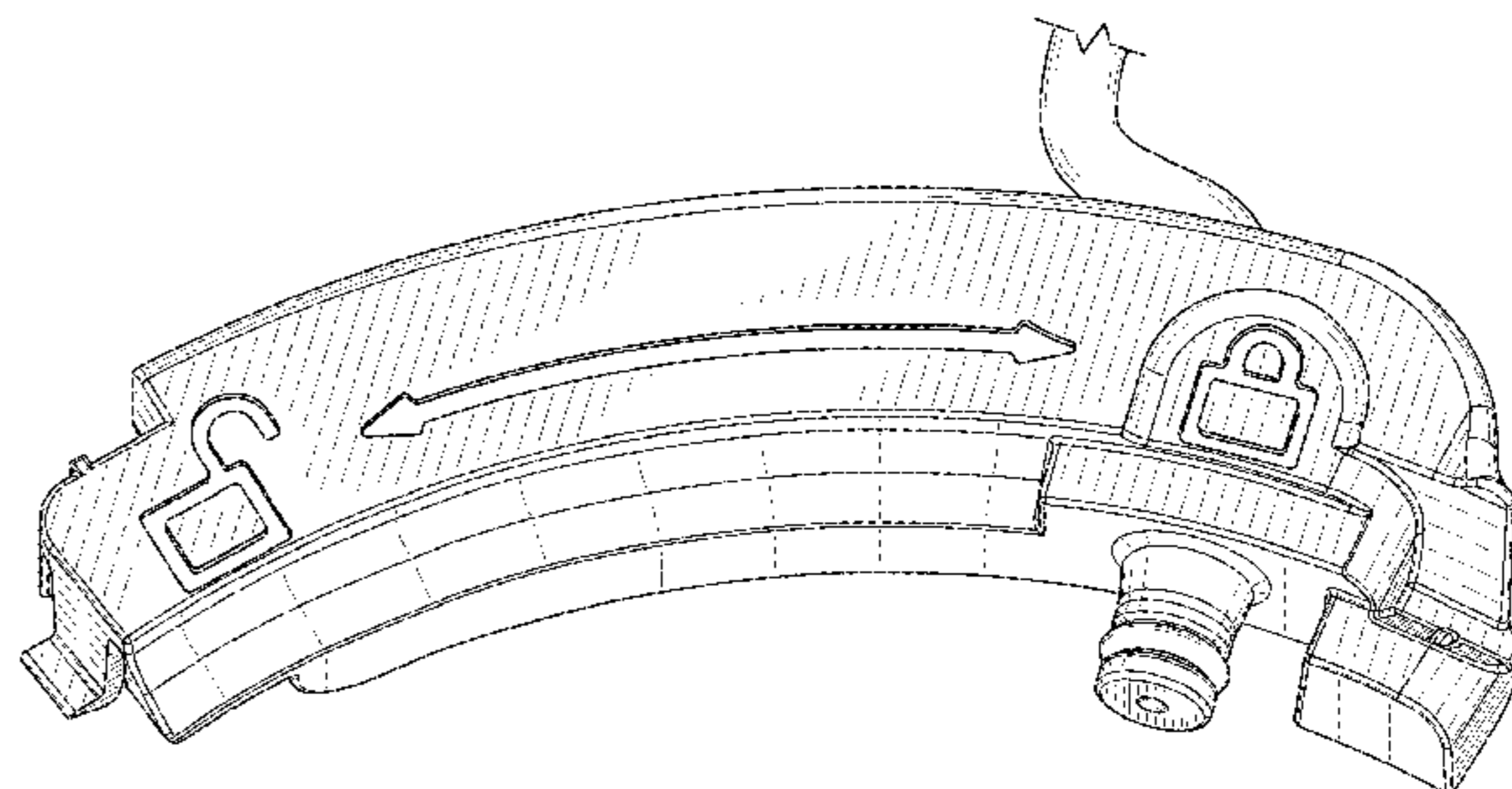
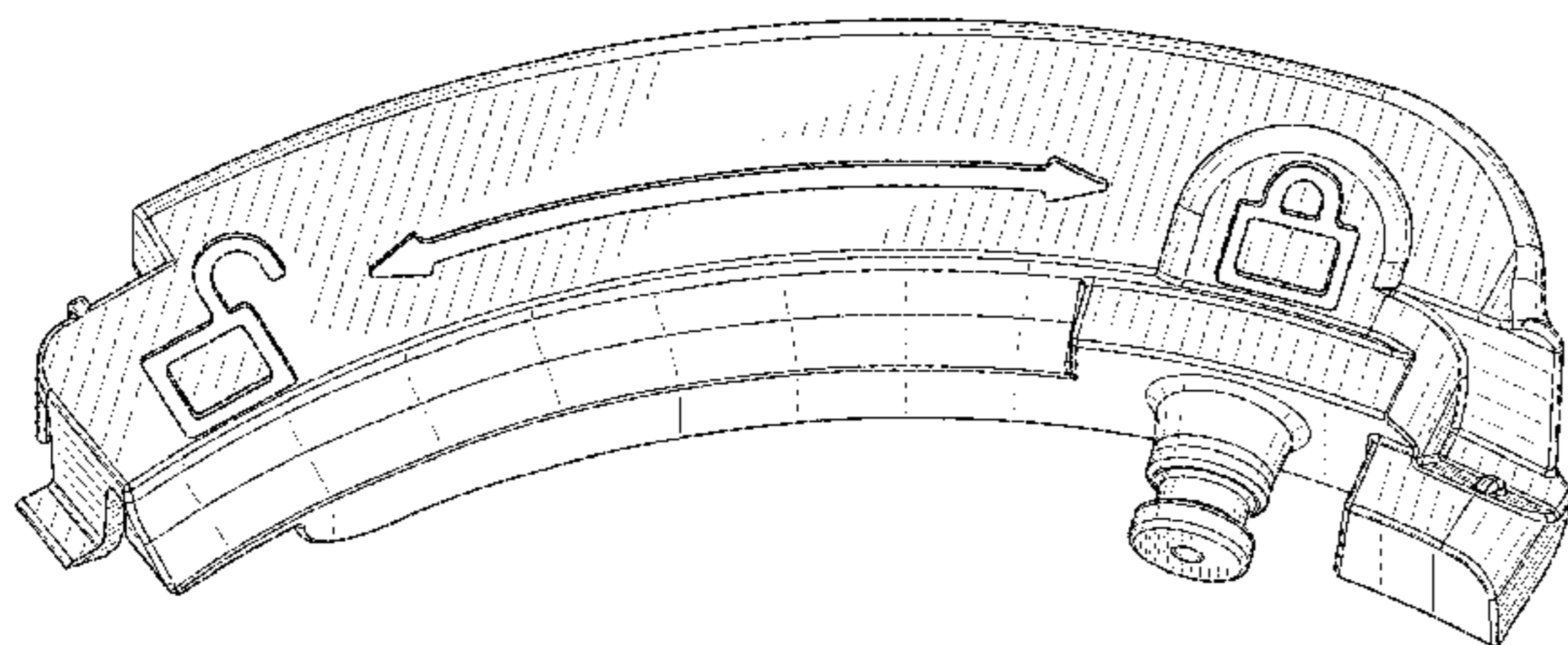
The ornamental design for a connector, as shown and described.

DESCRIPTION

FIG. 1 is a top-front perspective view of the first embodiment of a connector showing the claimed design; FIG. 2 is a bottom-back perspective view thereof; FIG. 3 is a rear view thereof; FIG. 4 is a front view thereof; FIG. 5 is a left side view thereof; FIG. 6 is a right side thereof; FIG. 7 is a bottom view thereof; FIG. 8 is a rear cross sectional view thereof taken along line 8-8 of FIG. 7, thereof; FIG. 9 is a top-front perspective view of the second embodiment of a connector showing the claimed design; FIG. 10 is a bottom-back perspective view thereof; FIG. 11 is a rear view thereof; FIG. 12 is a front view thereof; FIG. 13 is a left side view thereof; FIG. 14 is a right side thereof; FIG. 15 is a bottom view thereof; FIG. 16 is a rear cross sectional view thereof taken along line 16-16 of FIG. 15, thereof; FIG. 17 is a top-front perspective view of the third embodiment of a connector showing the claimed design; FIG. 18 is a bottom-back perspective view thereof; FIG. 19 is a rear view thereof; FIG. 20 is a front view thereof; FIG. 21 is a left side view thereof; FIG. 22 is a right side thereof; FIG. 23 is a bottom view thereof; and, FIG. 24 is a rear cross sectional view thereof taken along line 24-24 of FIG. 23, thereof.

The broken lines in the figures form the boundary of the claimed design and form no part of the claimed design. The shade lines in the figures show contour and not surface ornamentation.

1 Claim, 18 Drawing Sheets



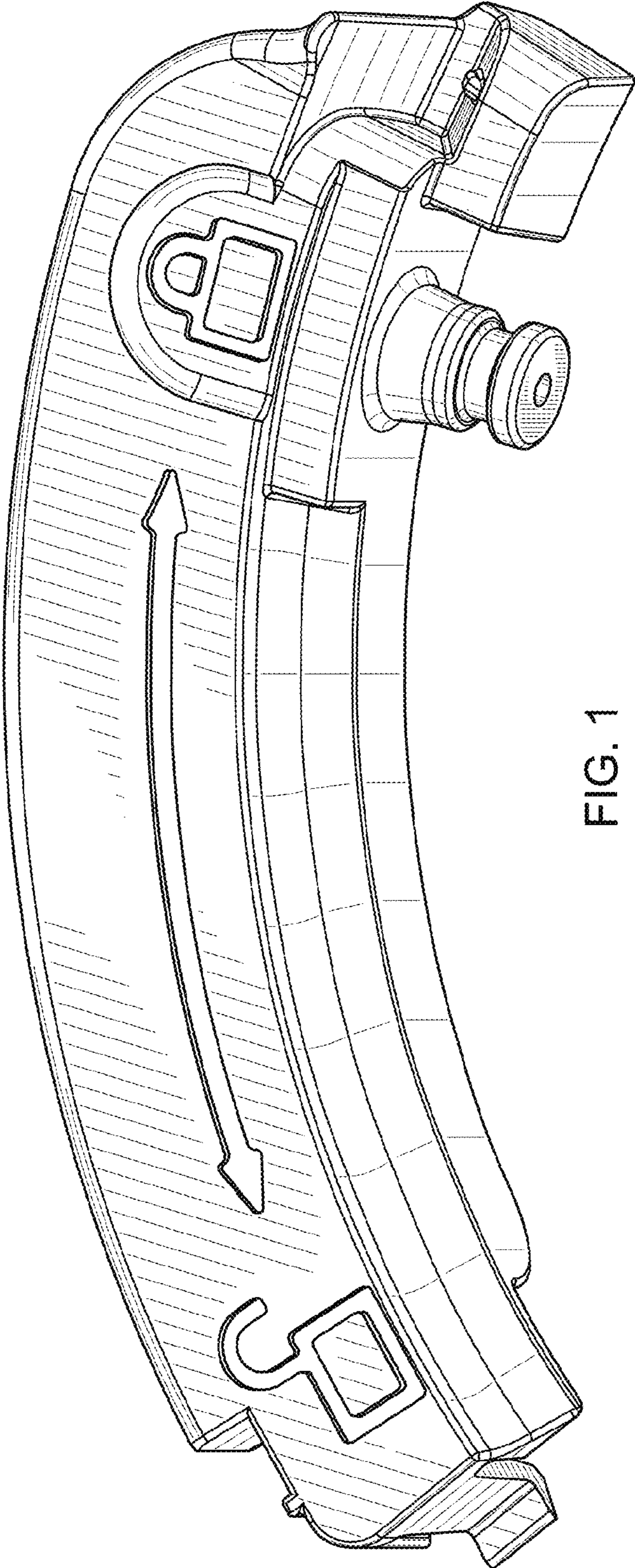


FIG. 1

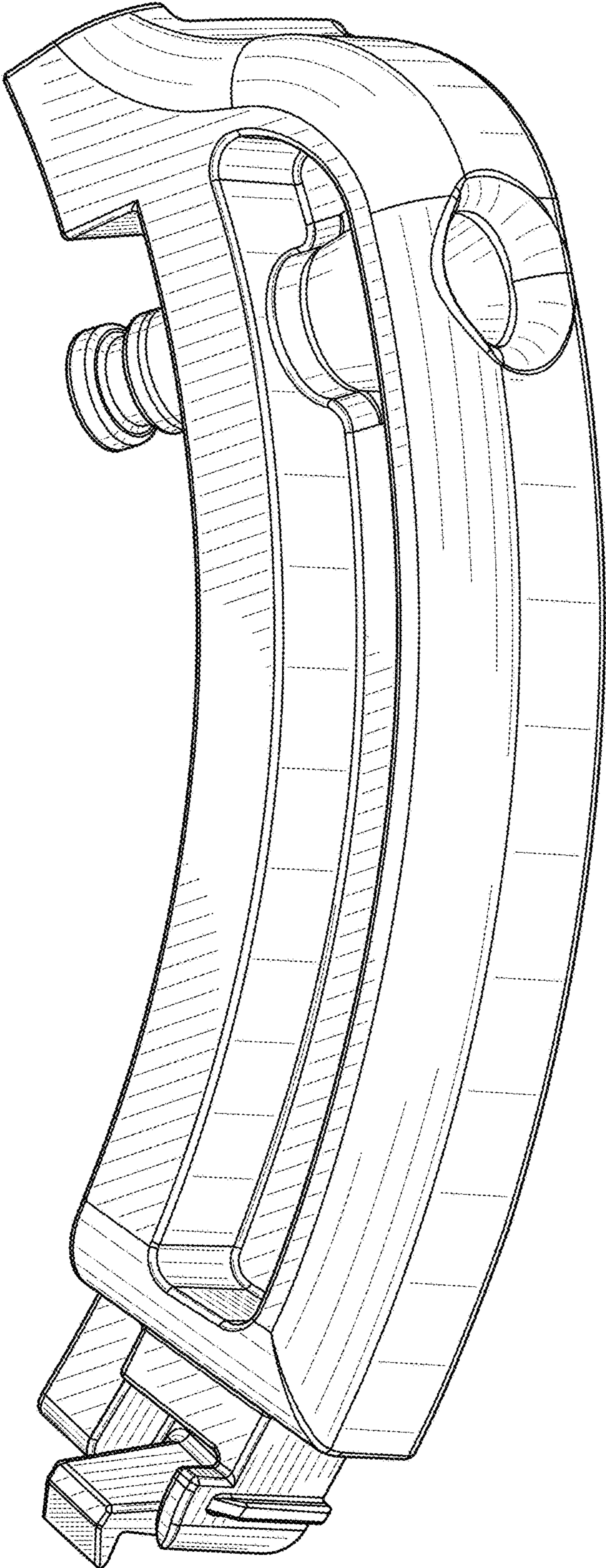


FIG. 2

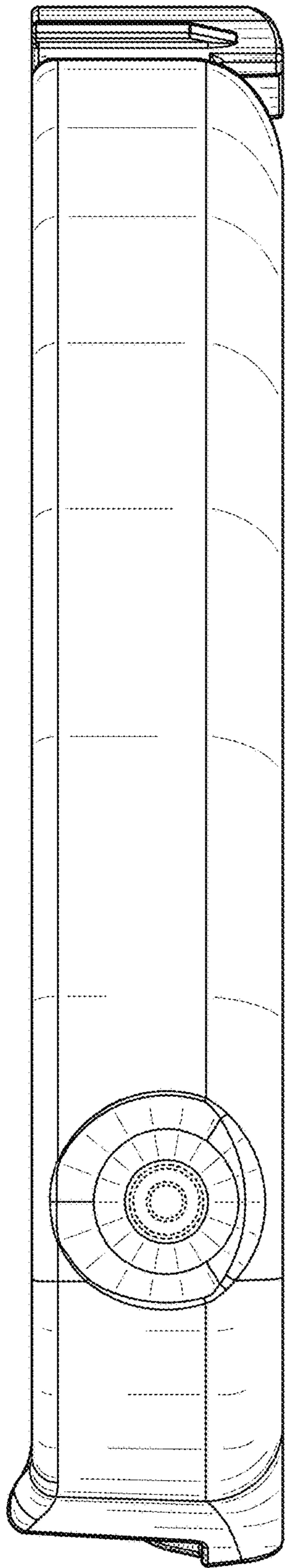


FIG. 3

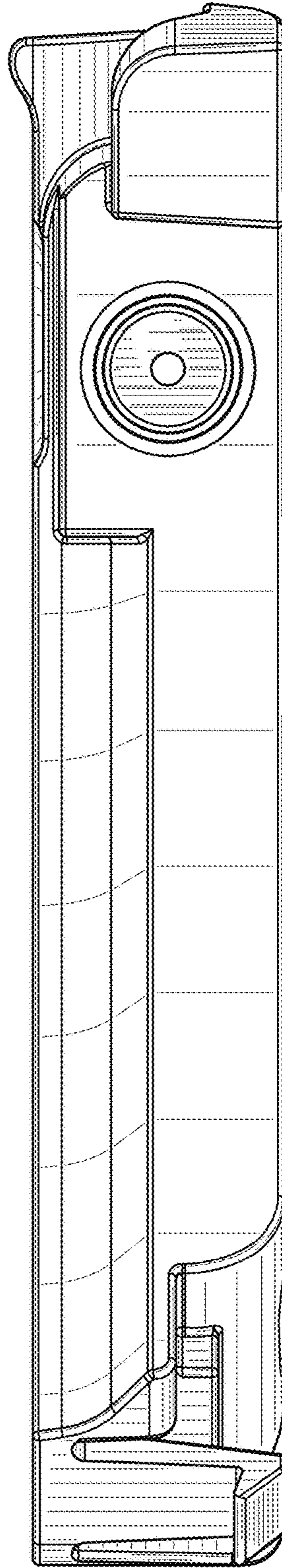


FIG. 4

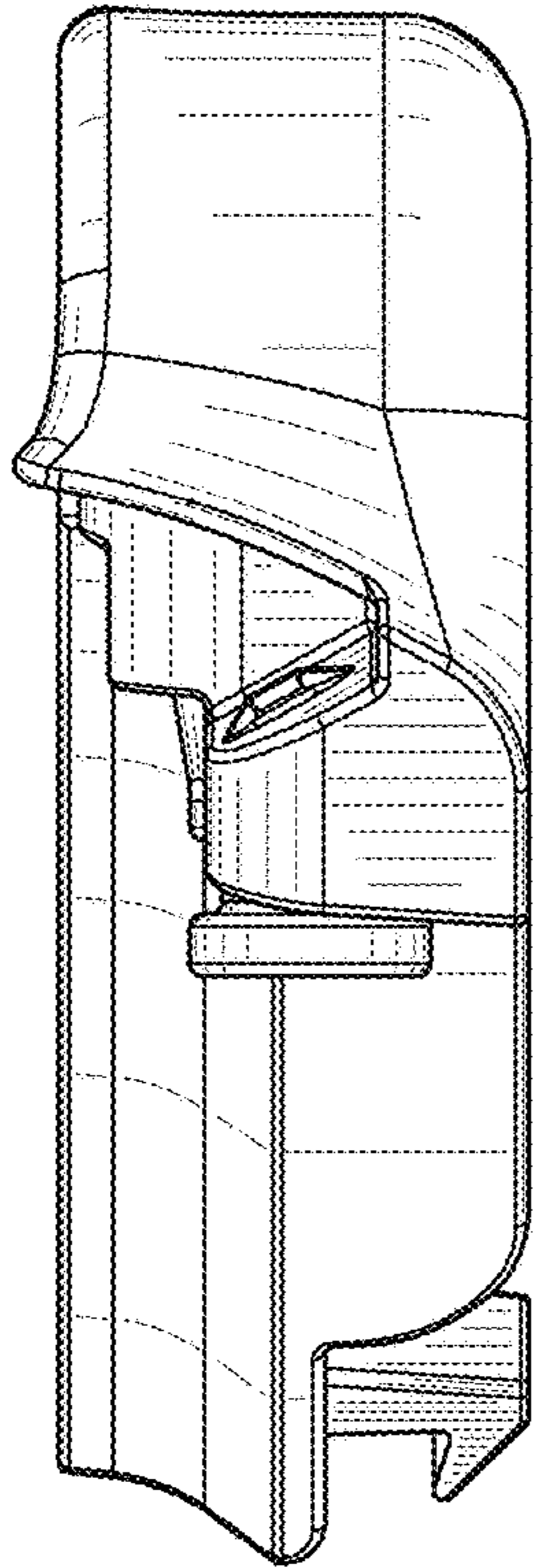


FIG. 5

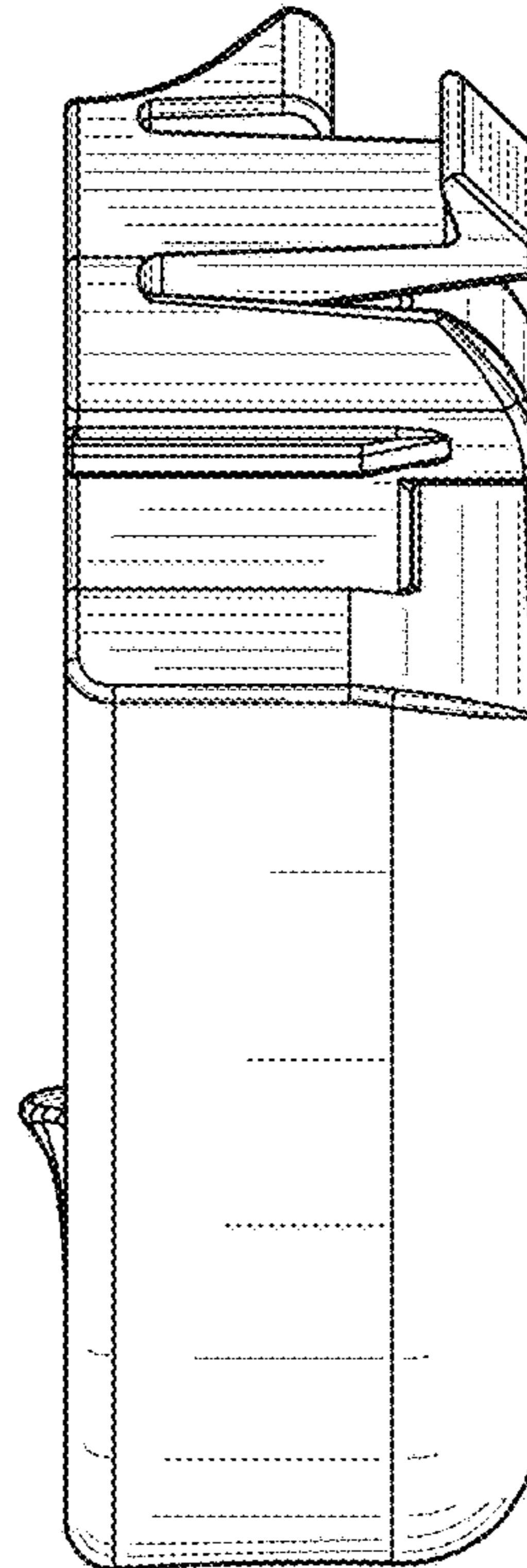


FIG. 6

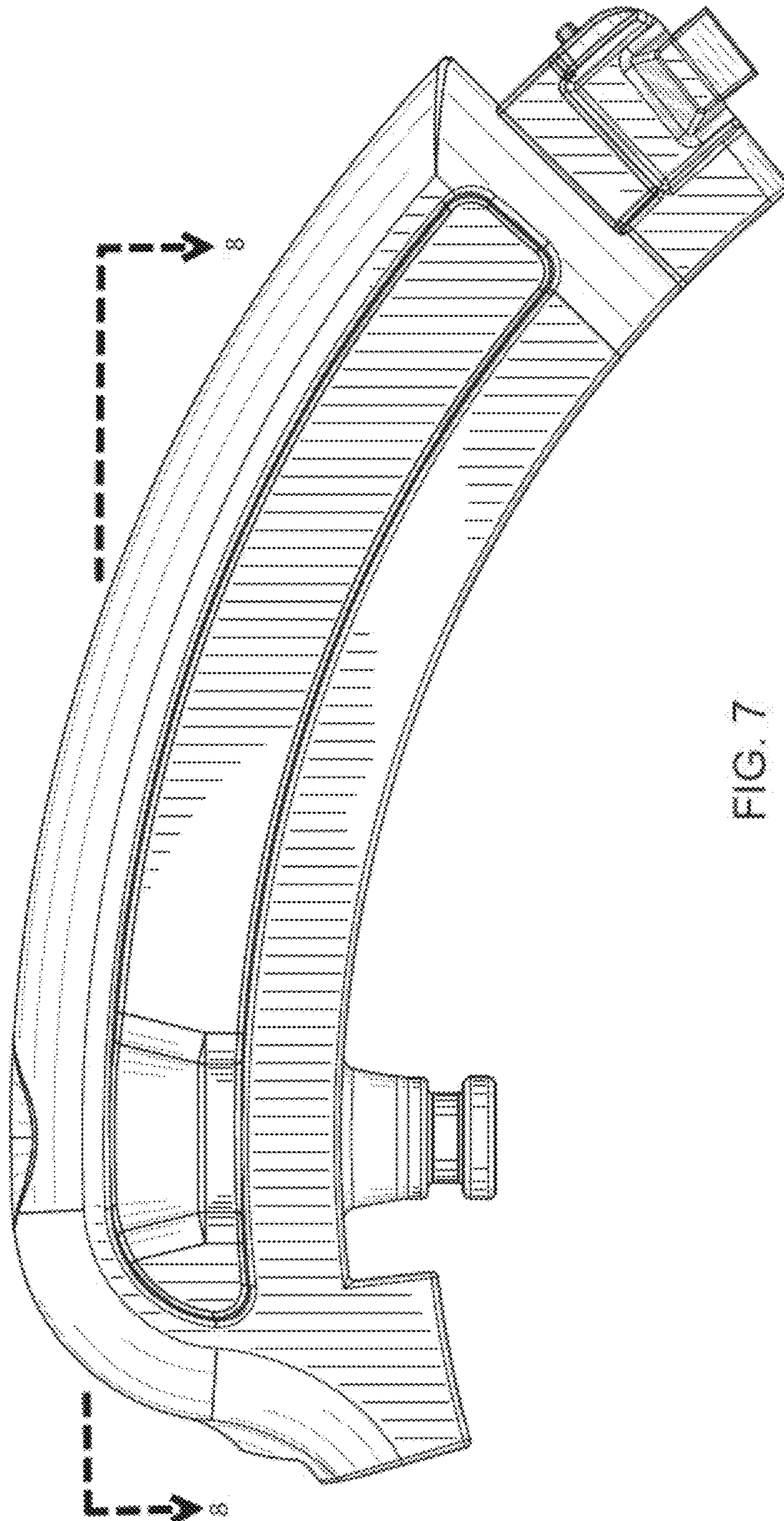


FIG. 7

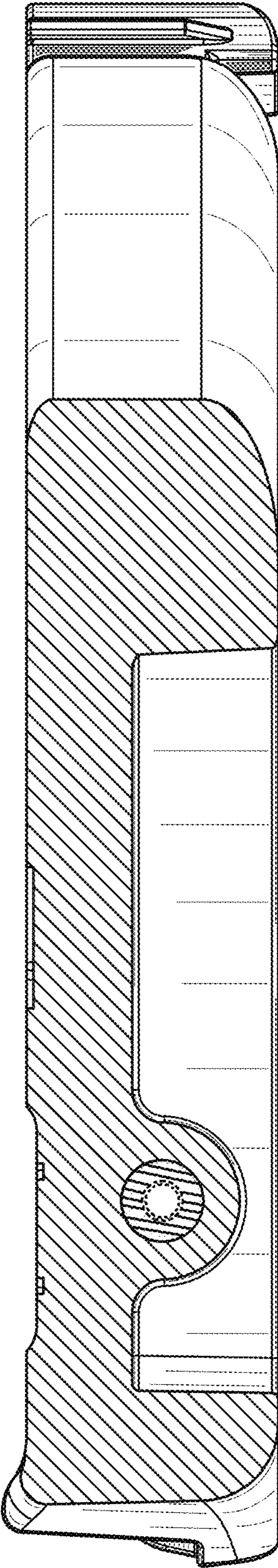


FIG. 8

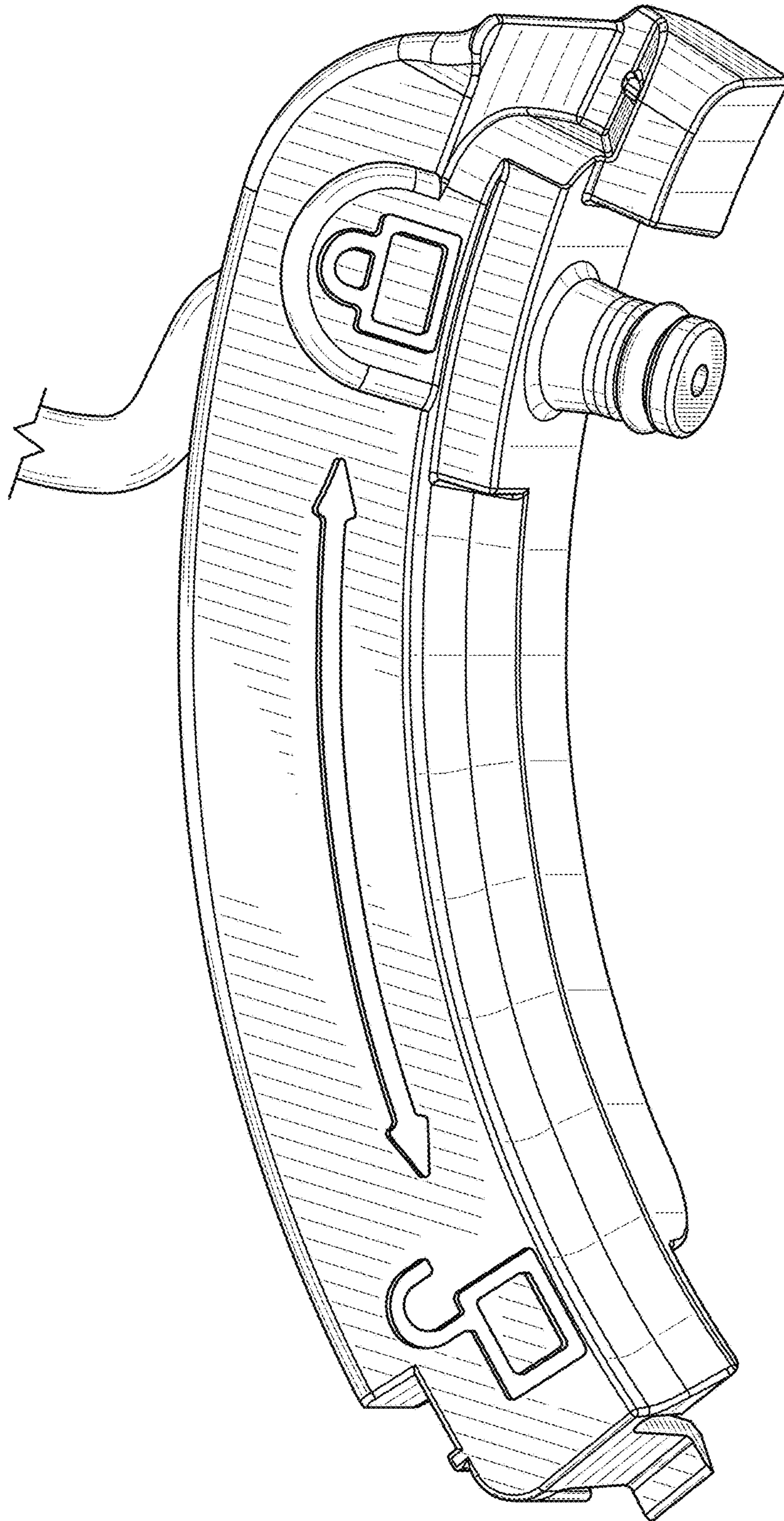


FIG. 9



FIG. 10

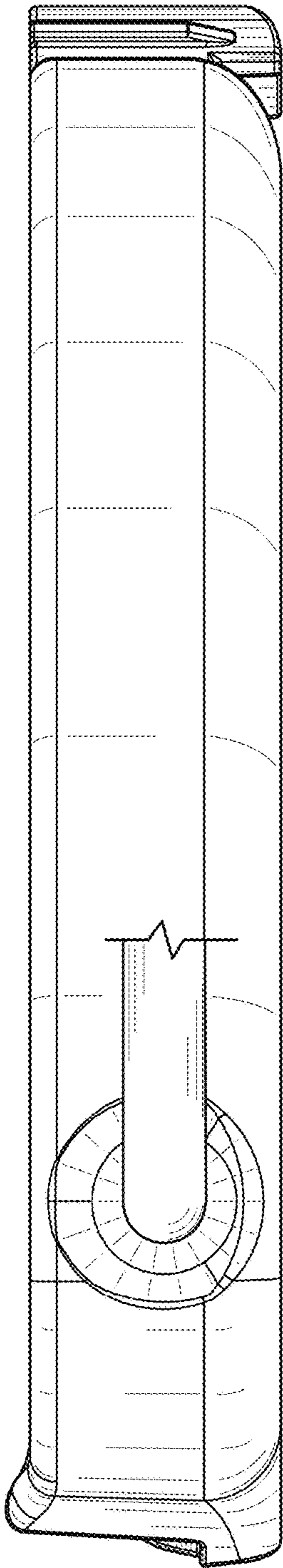


FIG. 11

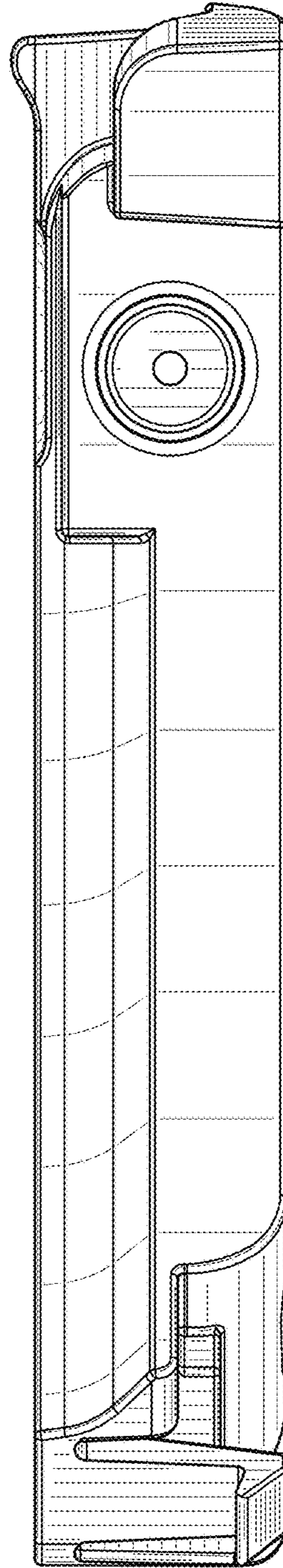


FIG. 12

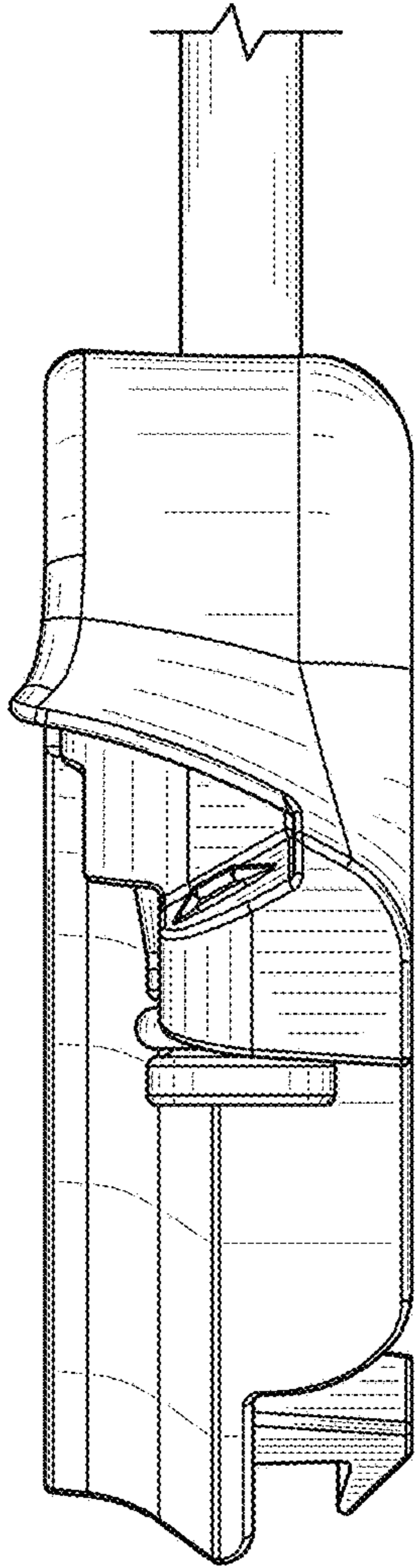


FIG. 13

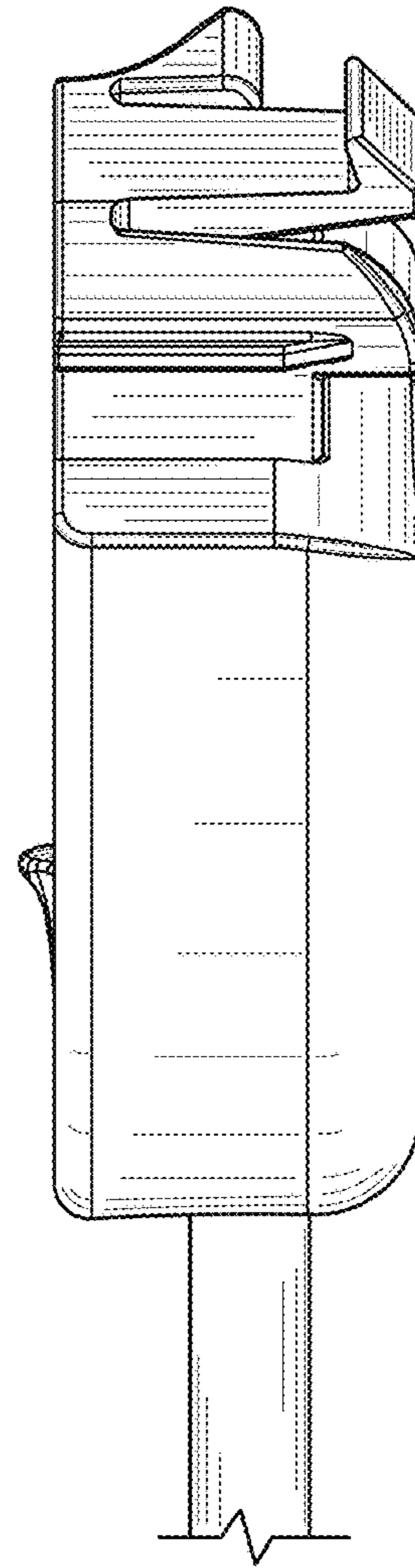


FIG. 14

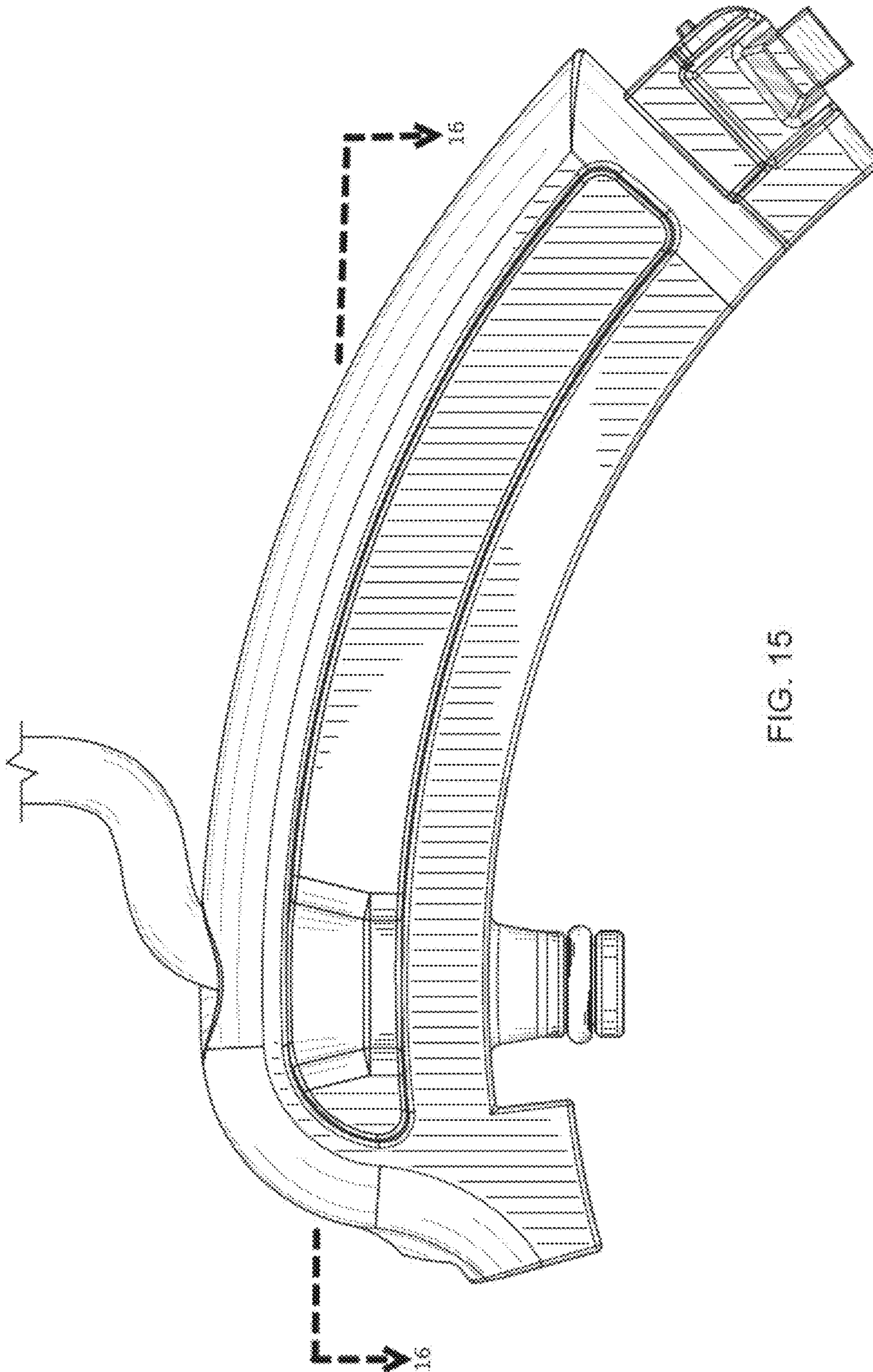


FIG. 15

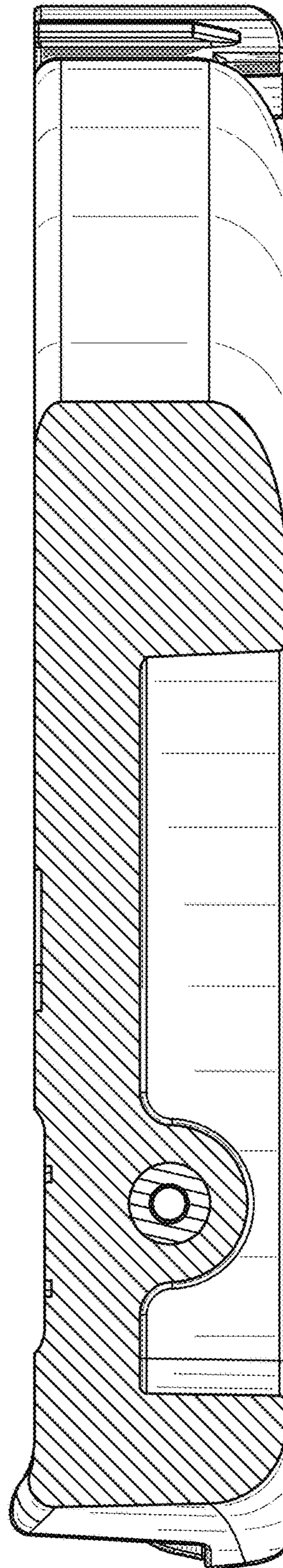


FIG. 16

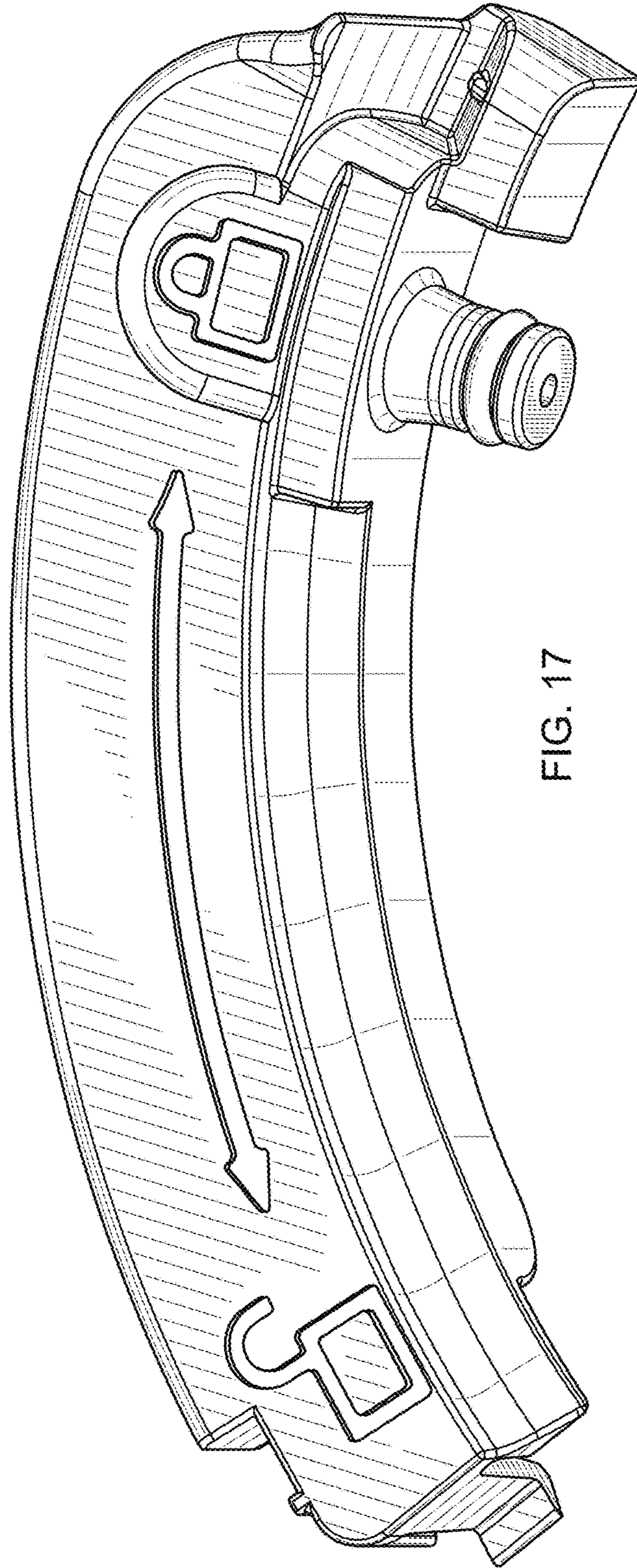


FIG. 17

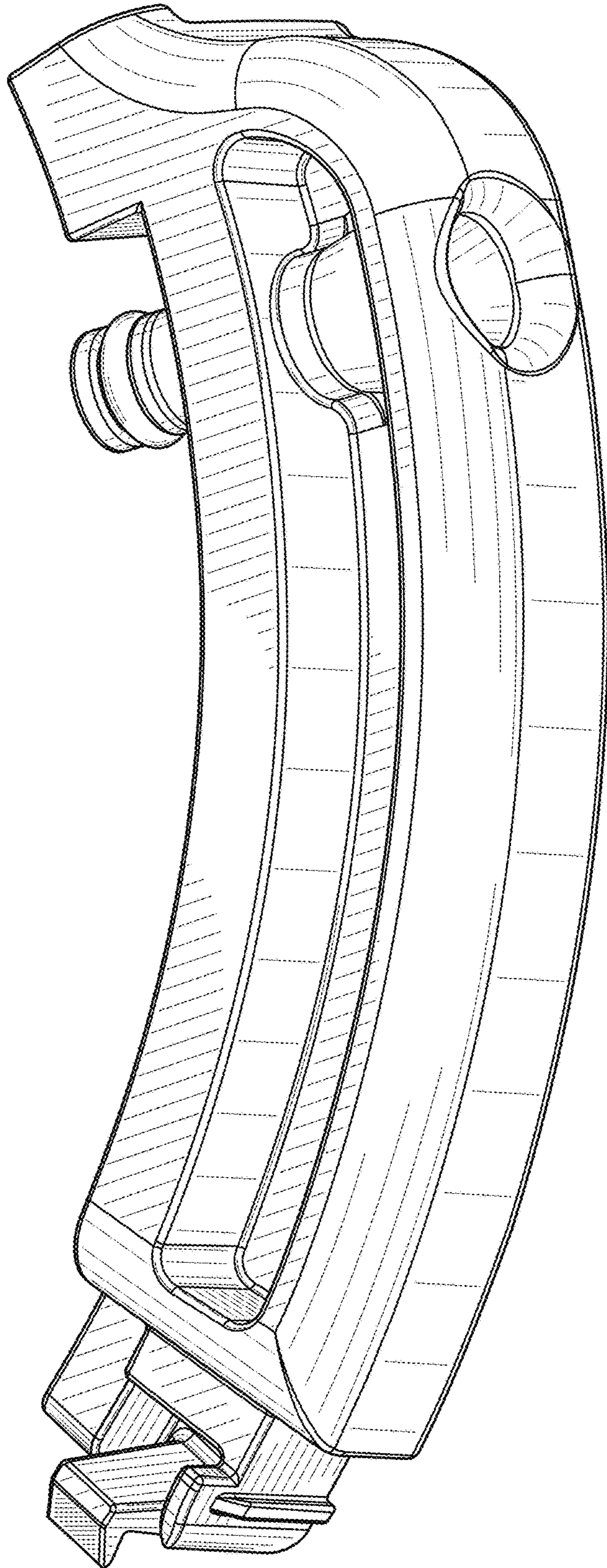


FIG. 18

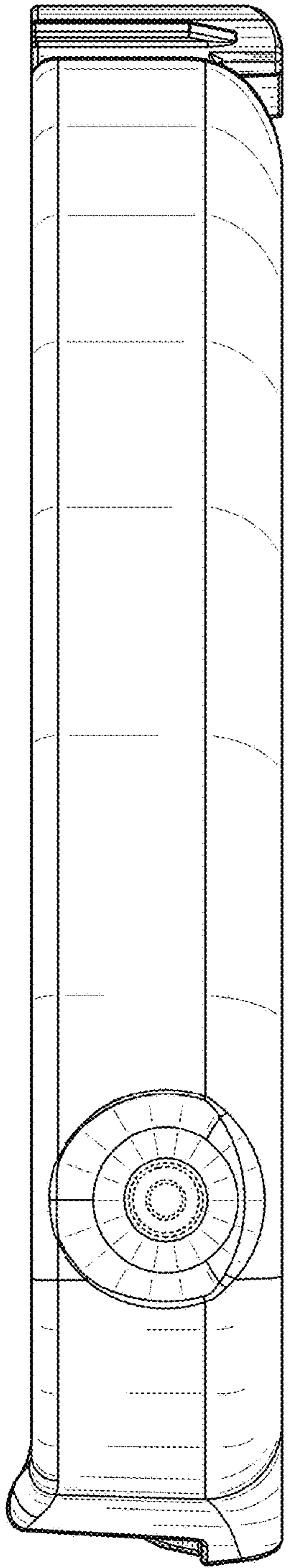


FIG. 19

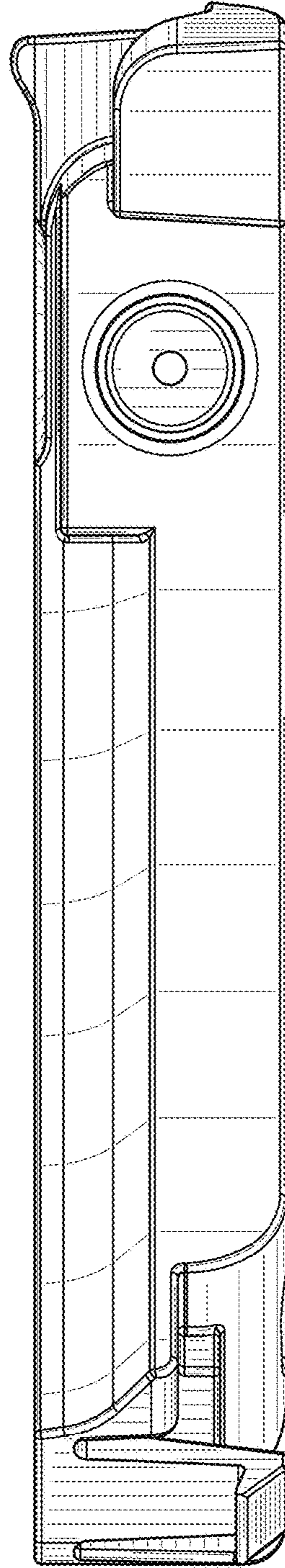


FIG. 20

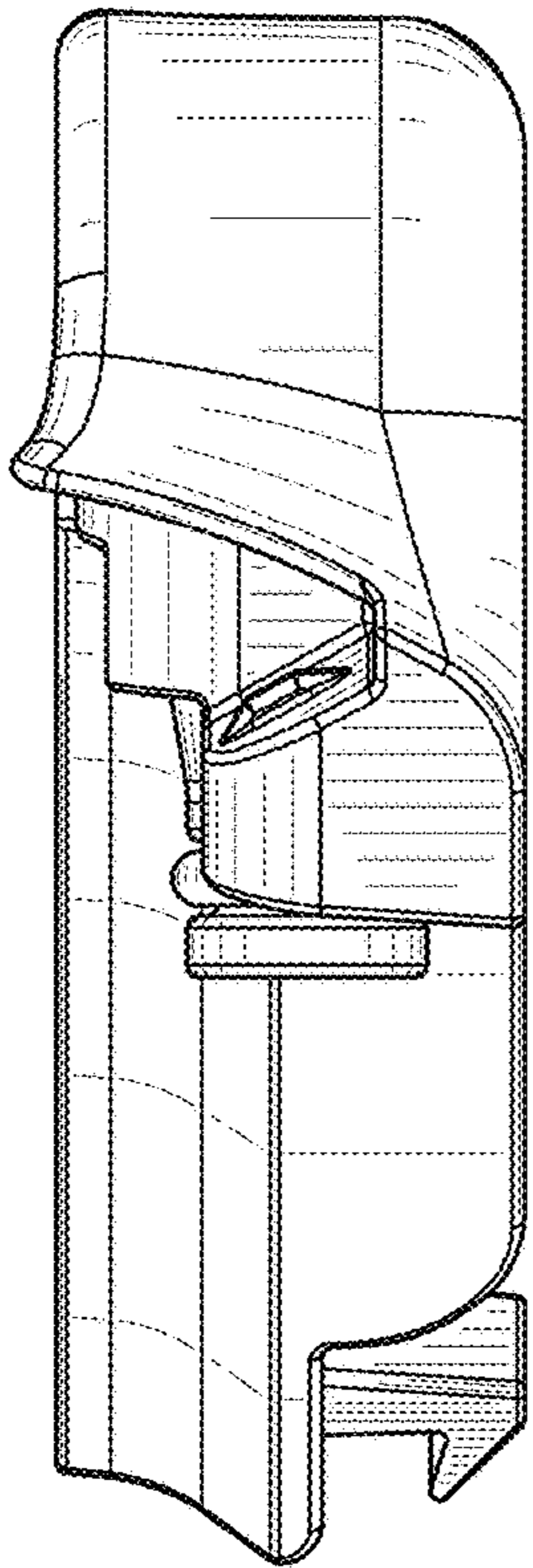


FIG. 21

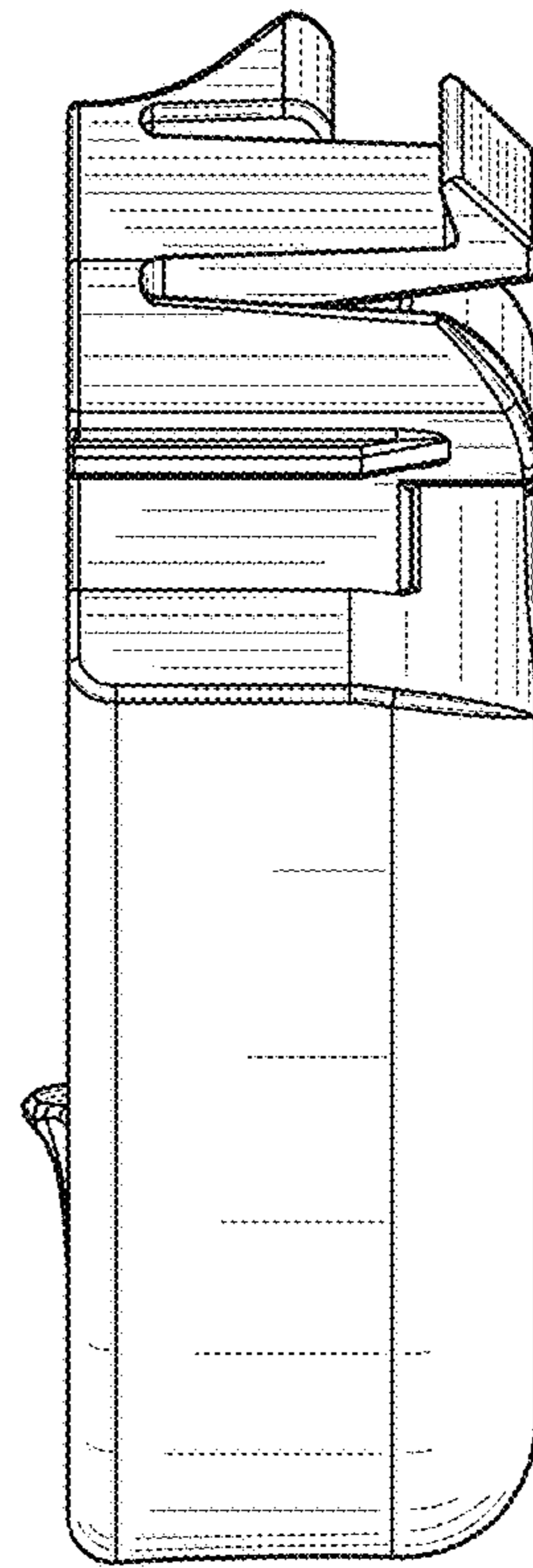


FIG. 22

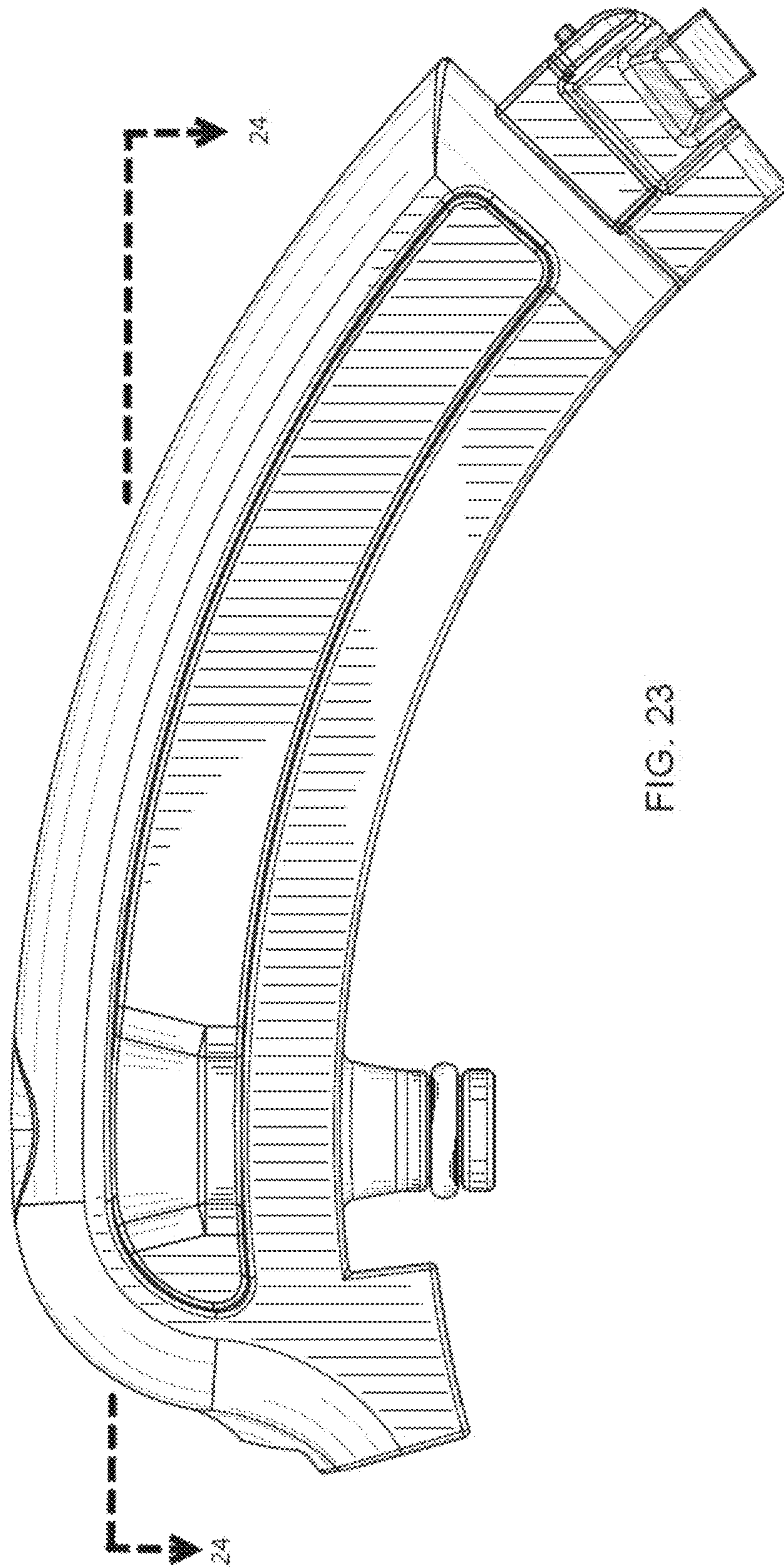


FIG. 23

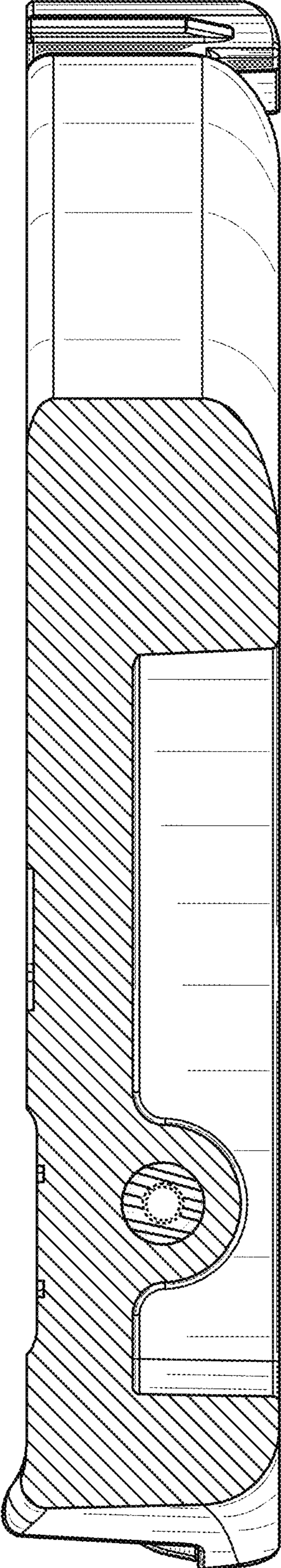


FIG. 24