



US00D806650S

(12) **United States Design Patent**
Chang

(10) **Patent No.:** **US D806,650 S**

(45) **Date of Patent:** **** Jan. 2, 2018**

(54) **FAN MOTOR STAND**

(71) Applicant: **Fang-Fu Chang**, Taipei (TW)

(72) Inventor: **Fang-Fu Chang**, Taipei (TW)

(**) Term: **14 Years**

(21) Appl. No.: **29/517,420**

(22) Filed: **Feb. 12, 2015**

(51) **LOC (11) Cl.** **13-01**

(52) **U.S. Cl.**
USPC **D13/112**

(58) **Field of Classification Search**
USPC D13/101, 112, 113, 114, 117, 118, 120,
D13/122, 199; D15/1, 3, 5, 199
CPC . F02B 63/04; H02K 3/24; H02K 3/47; H02K
1/12; H02K 5/18; H02K 11/0094; H02K
9/06; H02K 9/14
See application file for complete search history.

(56) **References Cited**

U.S. PATENT DOCUMENTS

4,105,905	A *	8/1978	Barcus	H02K 5/18 310/59
D294,141	S *	2/1988	Ueda	D13/112
4,742,257	A *	5/1988	Carpenter	H02K 9/14 310/57
5,296,769	A *	3/1994	Havens	A47L 5/22 310/58

D401,553	S *	11/1998	Pearce	D13/112
D401,687	S *	11/1998	Pearce	D23/411
D502,917	S *	3/2005	Bird	D13/112
D551,167	S *	9/2007	Kubota	D13/112
D603,951	S *	11/2009	Seidler	D23/370
D665,894	S *	8/2012	Inada	D23/370
D701,299	S *	3/2014	Oba	D23/370

* cited by examiner

Primary Examiner — Derrick Holland

(74) *Attorney, Agent, or Firm* — Pro-TECHTOR
International Services; Ian Oglesby

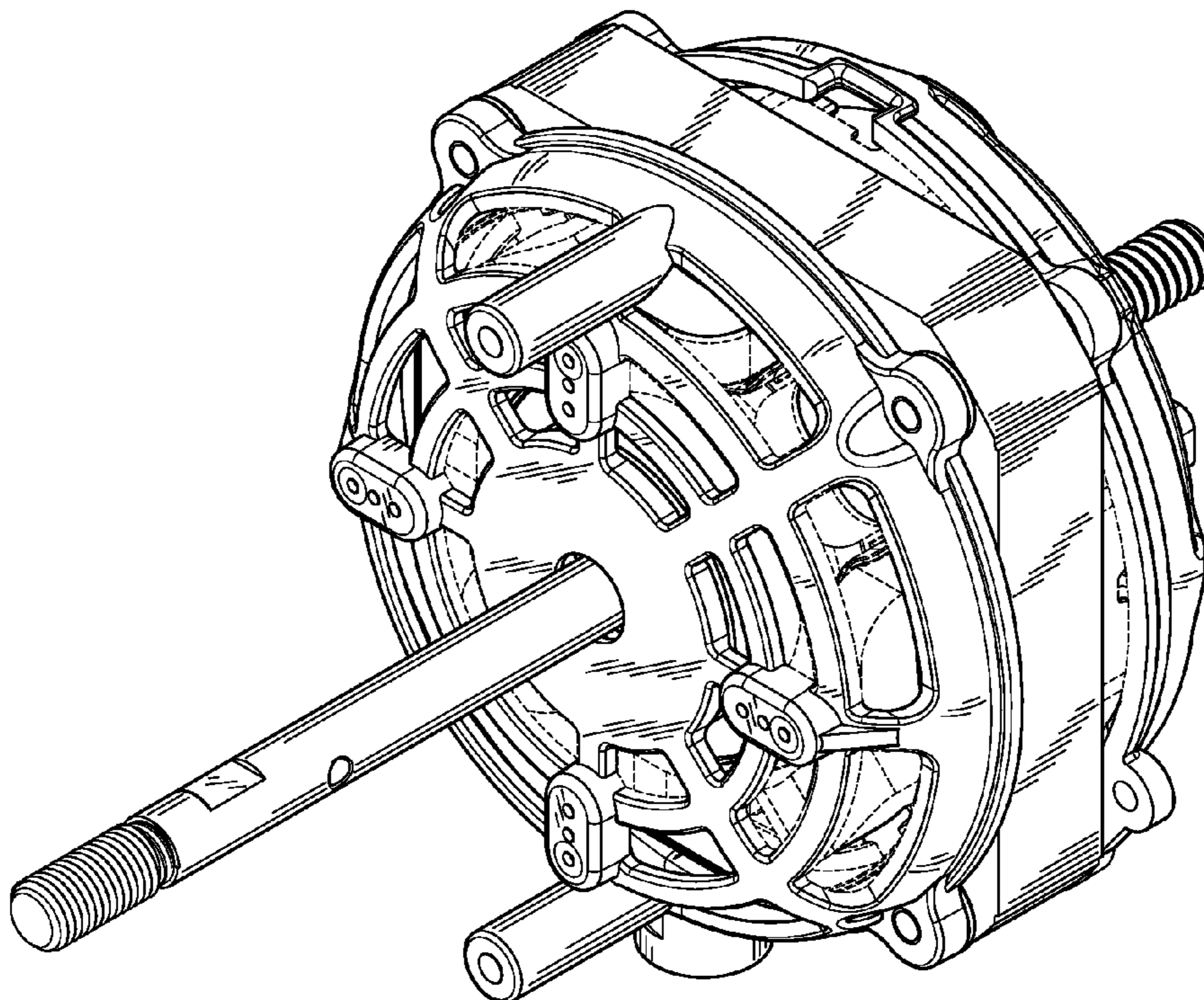
(57) **CLAIM**

The ornamental design for a fan motor stand, as shown and described.

DESCRIPTION

FIG. 1 is a perspective view of a fan motor stand showing my new design;
FIG. 2 is a front view thereof;
FIG. 3 is a rear view thereof;
FIG. 4 is a first side view thereof;
FIG. 5 is a second side view thereof;
FIG. 6 is a third side view thereof; and,
FIG. 7 is a fourth side view thereof.
The broken lines shown represent unclaimed subject matter and form no part of the claimed design.

1 Claim, 7 Drawing Sheets



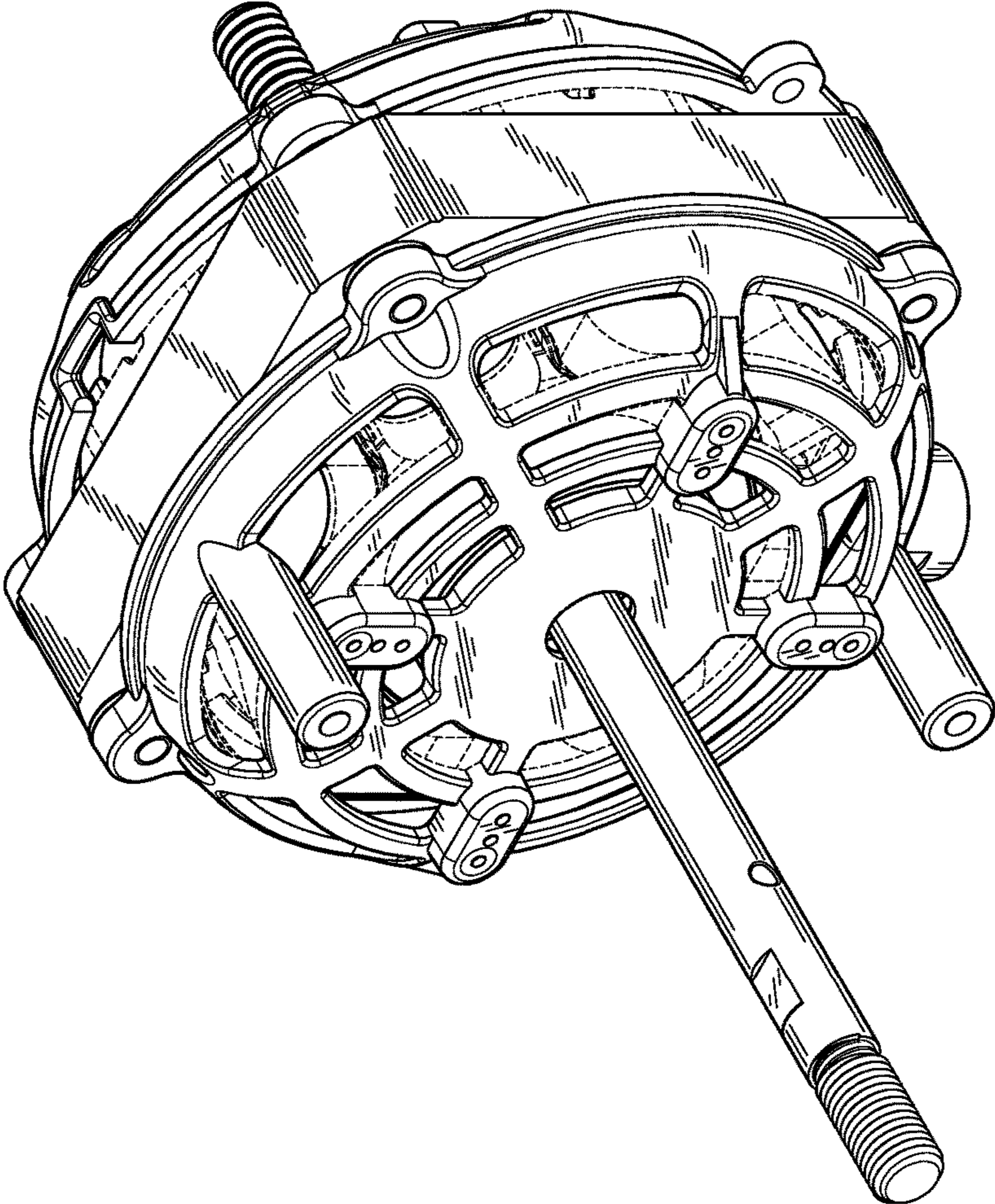


Fig.1

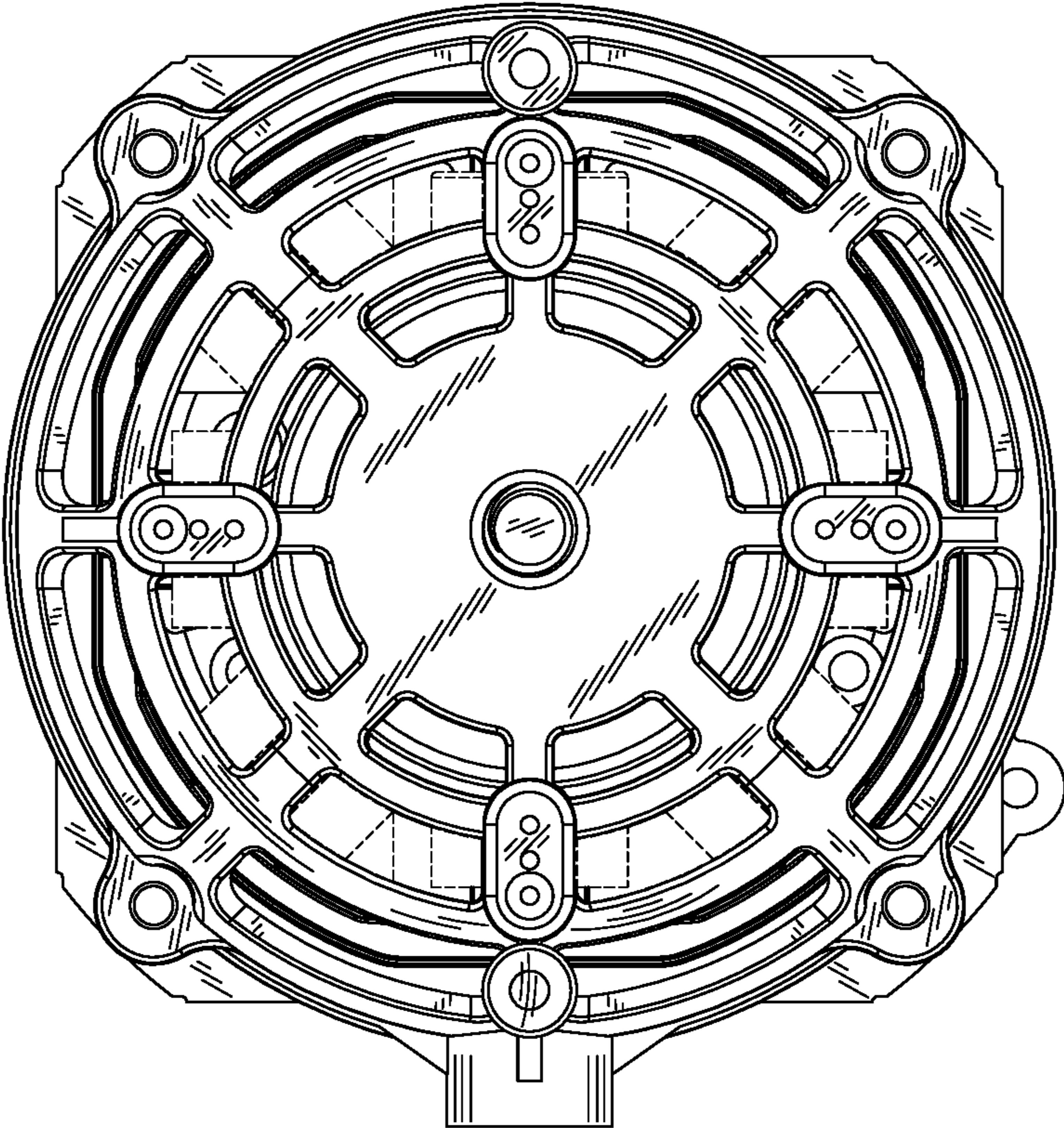


Fig.2

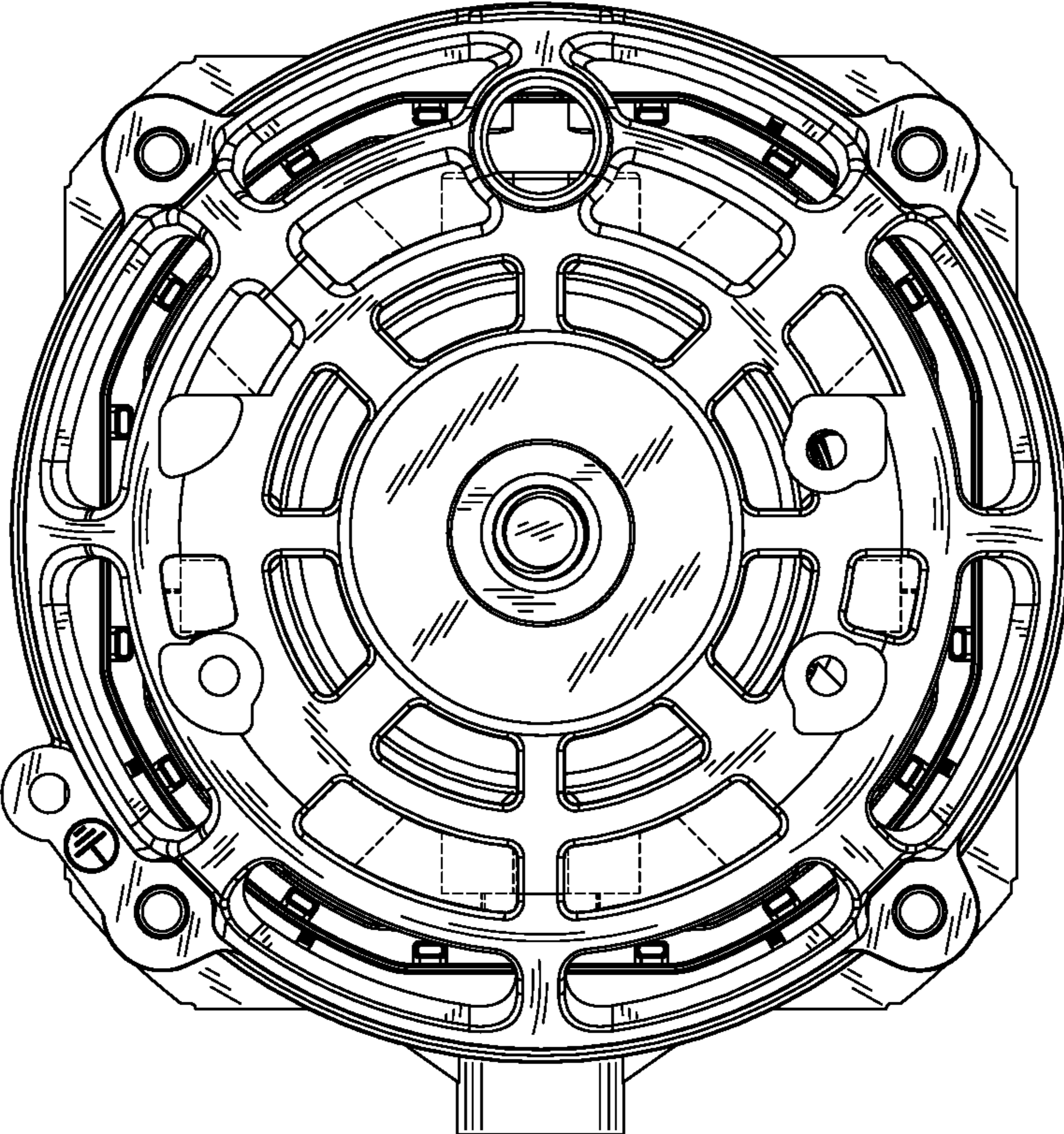


Fig.3

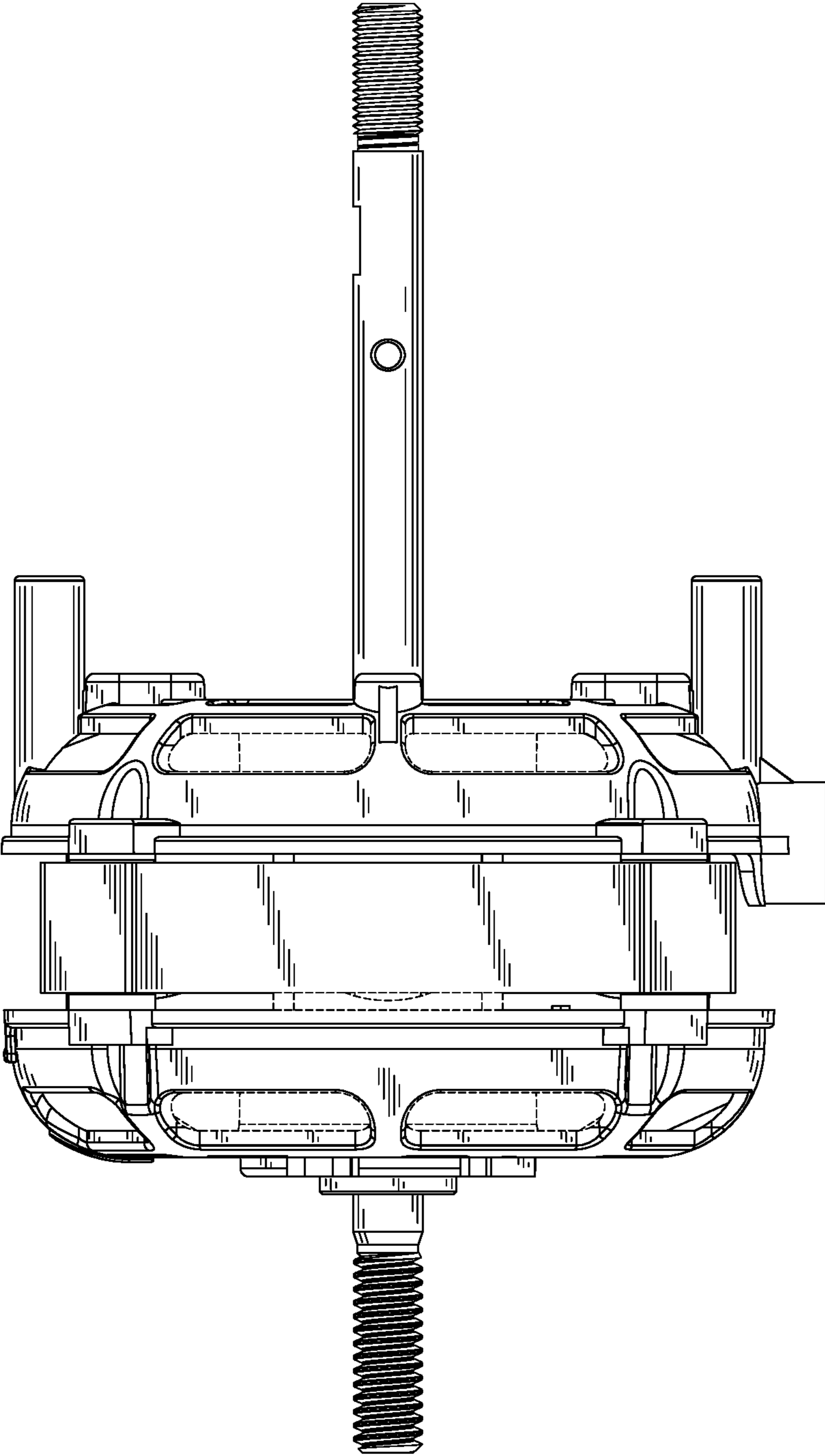


Fig.4

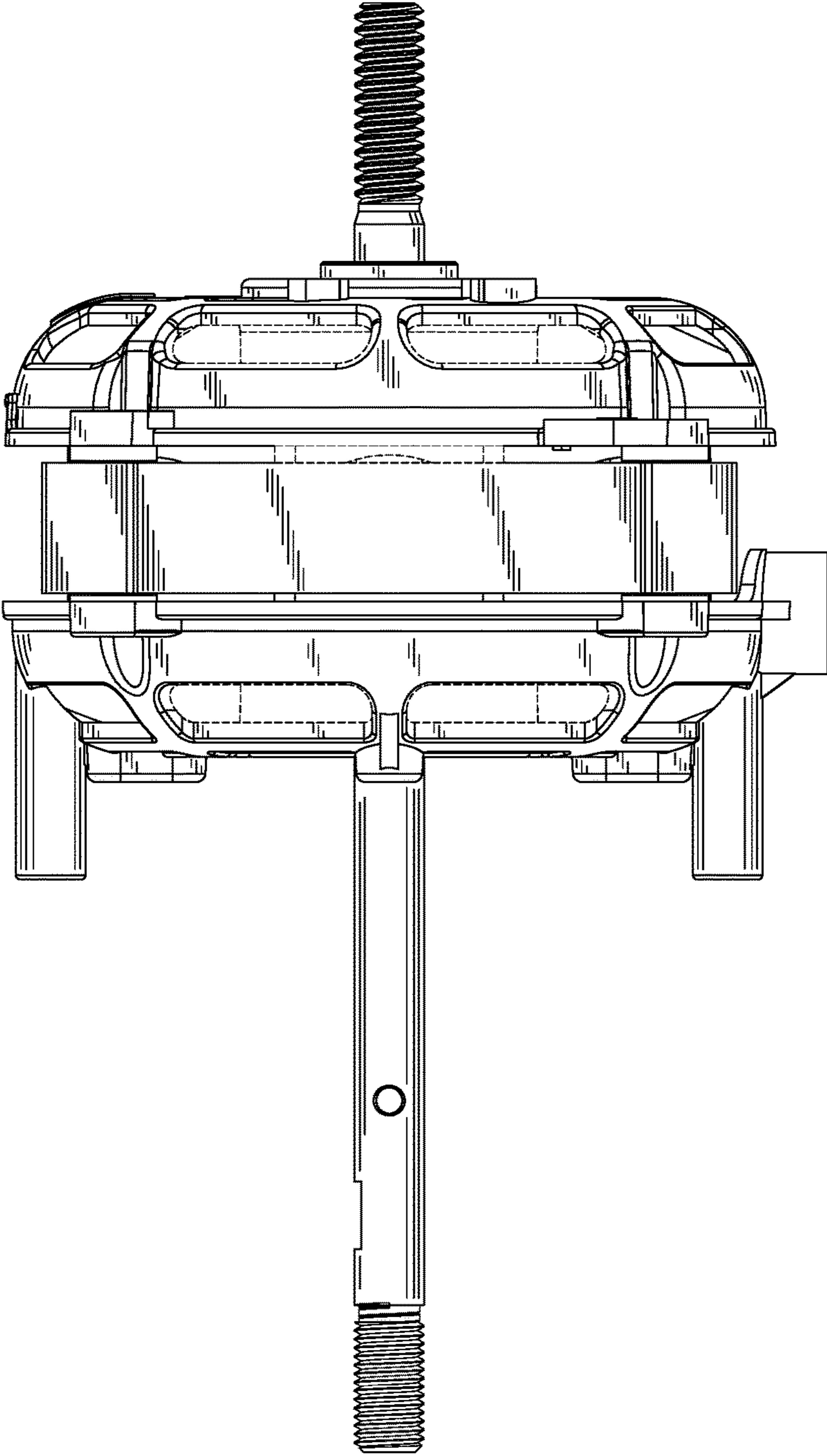


Fig. 5

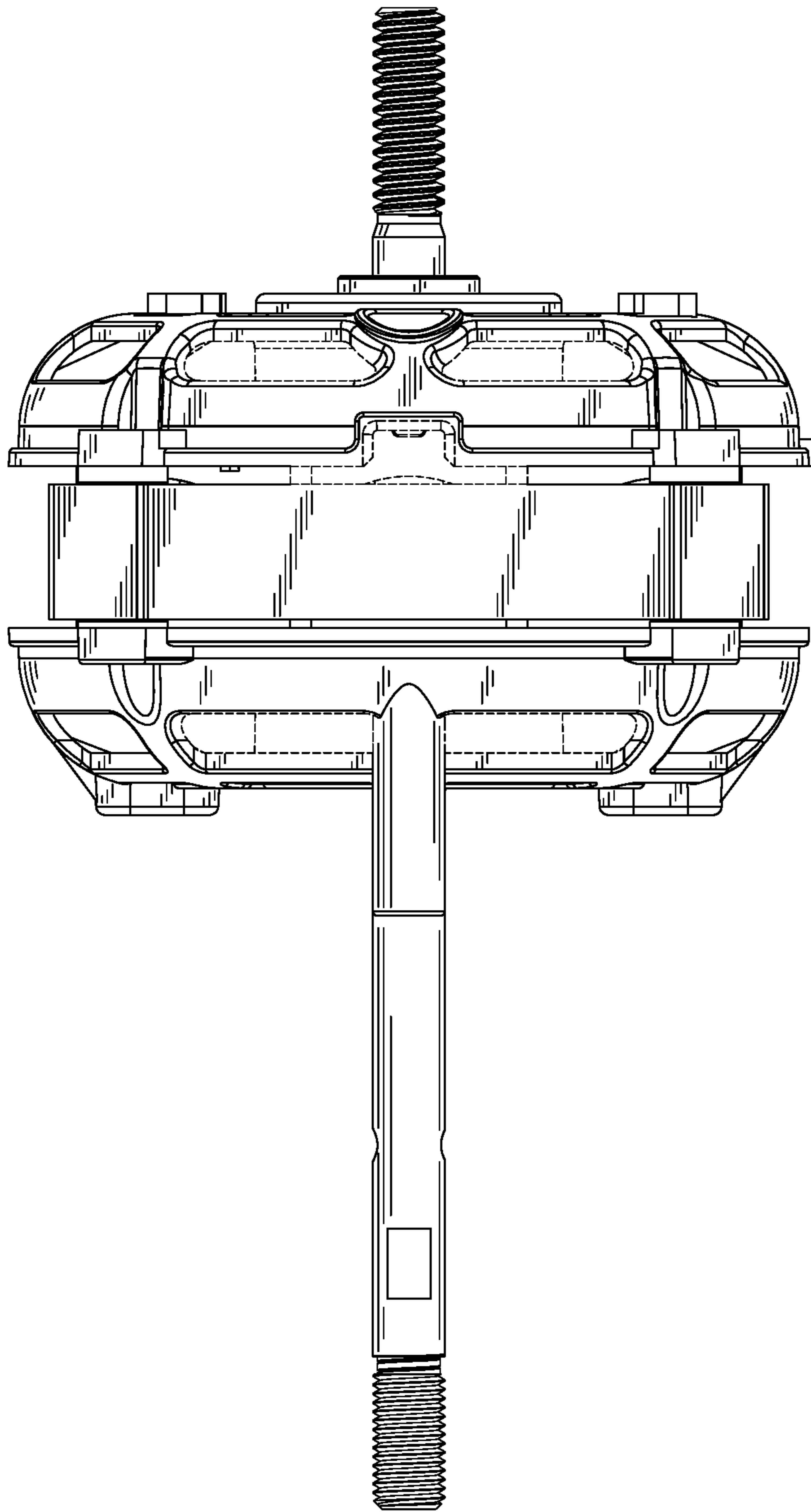


Fig.6

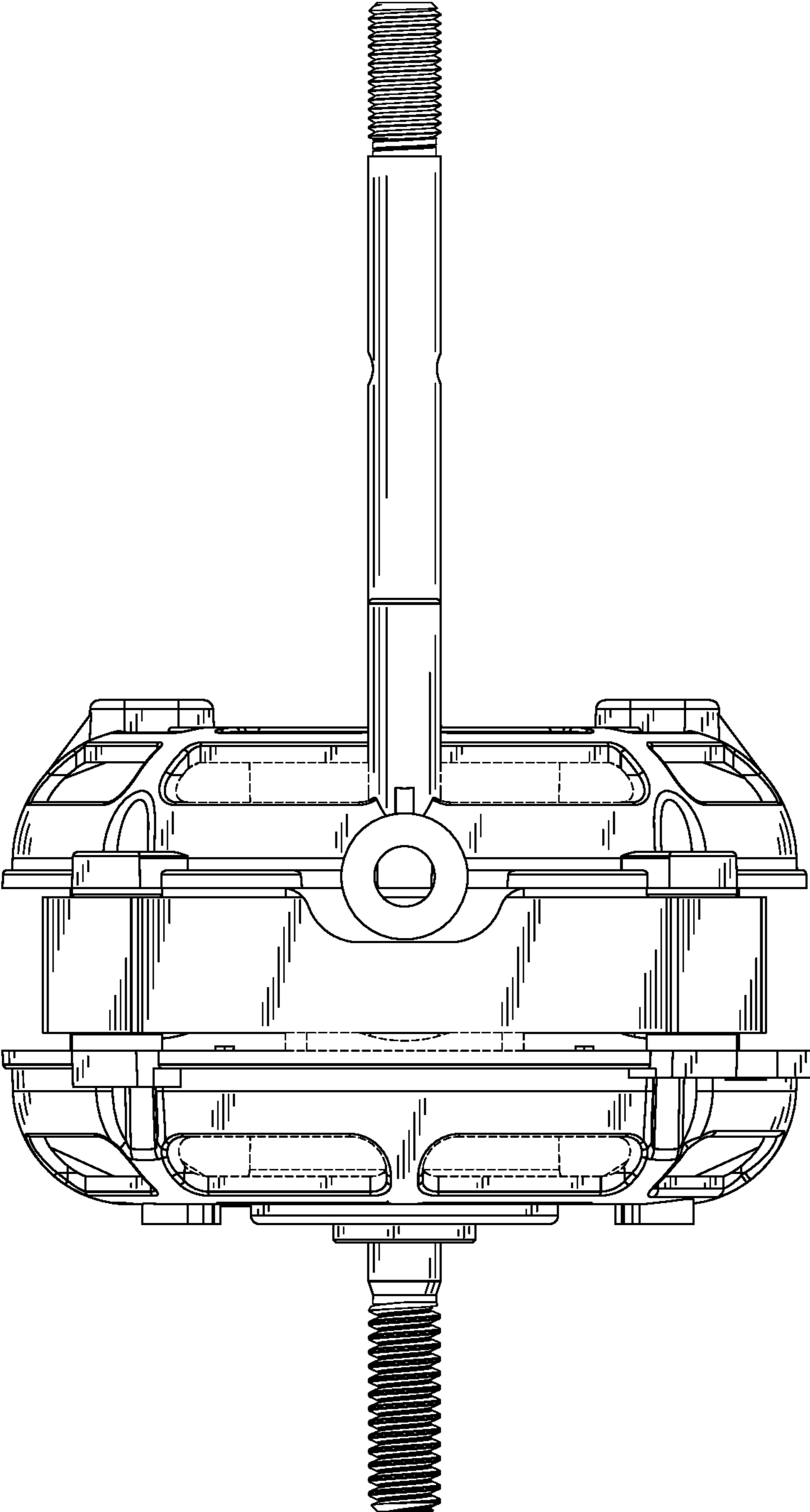


Fig.7