



US00D806649S

(12) **United States Design Patent** (10) **Patent No.:** **US D806,649 S**
Chang et al. (45) **Date of Patent:** **** Jan. 2, 2018**

(54) **WIRELESS CHARGER**
(71) Applicant: **Cheng Uei Precision Industry Co., Ltd.**, New Taipei (TW)
(72) Inventors: **Gen-Yuan Chang**, New Taipei (TW); **Jung-Ching Cheng**, New Taipei (TW); **Kun-Wei Tsai**, New Taipei (TW); **Yung-Cheng Chuang**, New Taipei (TW)

(73) Assignee: **CHENG UEI PRECISION INDUSTRY CO., LTD.**, New Taipei (TW)

(**) Term: **15 Years**

(21) Appl. No.: **29/565,250**

(22) Filed: **May 18, 2016**

(51) **LOC (11) Cl.** **13-02**

(52) **U.S. Cl.**
USPC **D13/108**

(58) **Field of Classification Search**
USPC D13/102–110, 118–119, 184, 199; D14/251, 253, 432, 434; D11/90
CPC Y02E 60/12; Y02T 90/14; Y02T 90/122; Y02T 90/128; Y02T 90/163; H02J 7/025; H02J 7/0042; H02J 7/0044; H02J 7/0045; H02J 7/0003; H01F 38/14; H01R 13/6675; H01M 2/1022; H01M 2/1055; H01M 10/44; H01M 10/46; H01M 10/425; B60L 11/182
See application file for complete search history.

(56) **References Cited**

U.S. PATENT DOCUMENTS

D81,380 S * 6/1930 Dinhofer D11/90
D420,362 S * 2/2000 Pedraza D14/242

D454,131 S * 3/2002 Lord D14/434
D595,289 S * 6/2009 Horace Luke D14/341
D607,427 S * 1/2010 Ho D14/138 AA
D638,792 S * 5/2011 Lu D13/108
D661,680 S * 6/2012 Wei D14/155
D662,534 S * 6/2012 Chang D16/225
D674,785 S * 1/2013 Kyriakides, II D14/240
D702,632 S * 4/2014 Salmon D13/108
D753,537 S * 4/2016 Modi D11/90
D778,826 S * 2/2017 Broadhurst, IV D13/107
2016/0380453 A1* 12/2016 Xiao H04M 1/04 320/108

* cited by examiner

Primary Examiner — Rosemary K Tarcza

Assistant Examiner — Alison M Ofstun

(74) *Attorney, Agent, or Firm* — Cheng-Ju Chiang

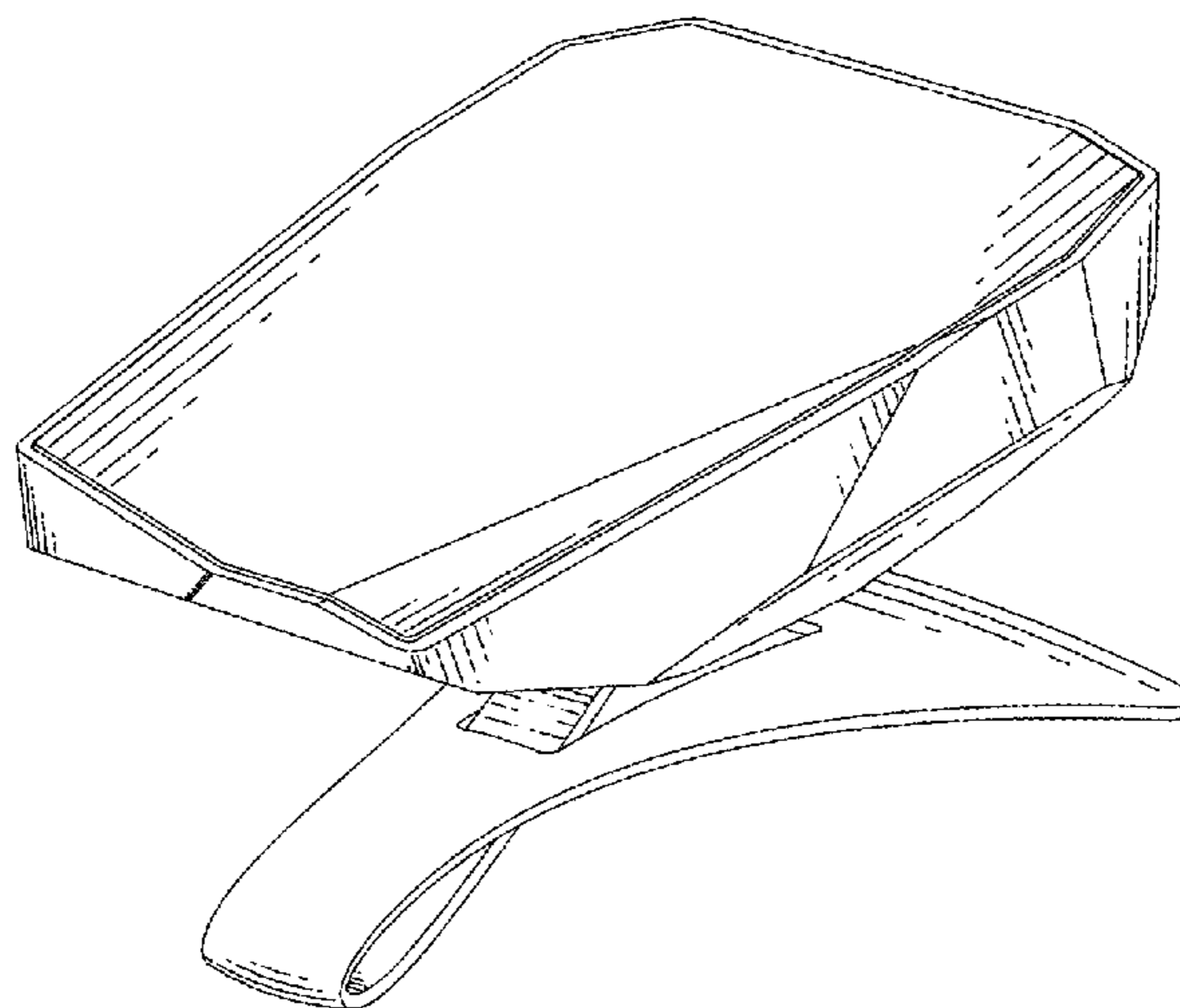
(57) **CLAIM**

The ornamental design for a wireless charger, as shown and described.

DESCRIPTION

FIG. 1 is a perspective view of a wireless charger showing our new design;
FIG. 2 is a front elevational view thereof;
FIG. 3 is a rear elevational view thereof;
FIG. 4 is a left side elevational view thereof;
FIG. 5 is a right side elevational view thereof;
FIG. 6 is a top plan view thereof;
FIG. 7 is a bottom plan view thereof; and,
FIG. 8 is another perspective view of the wireless charger showing our new design.
The broken lines presented in the figures are included for the purpose of illustrating portions of the article that form no part of the claimed design.

1 Claim, 8 Drawing Sheets



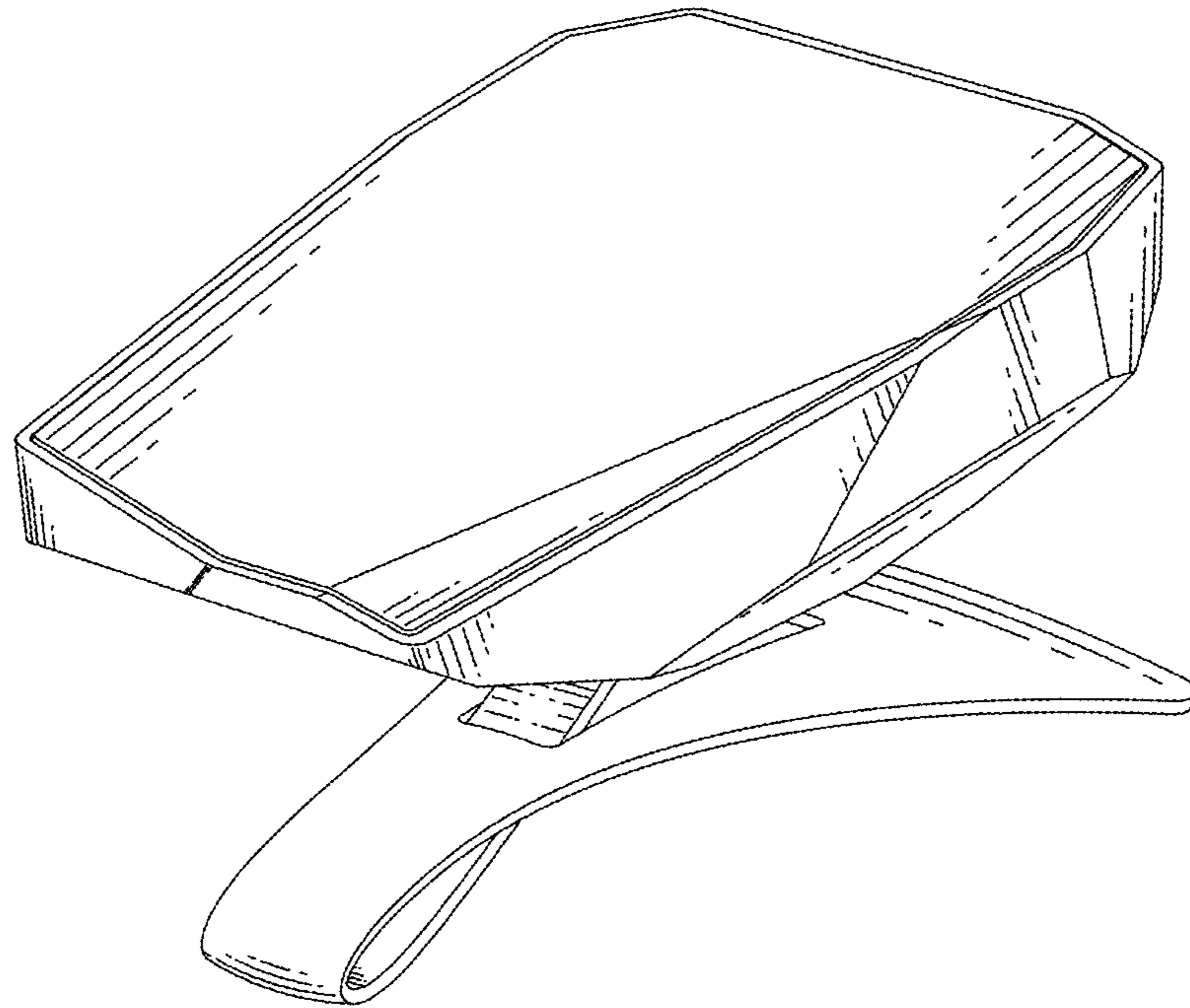


FIG. 1

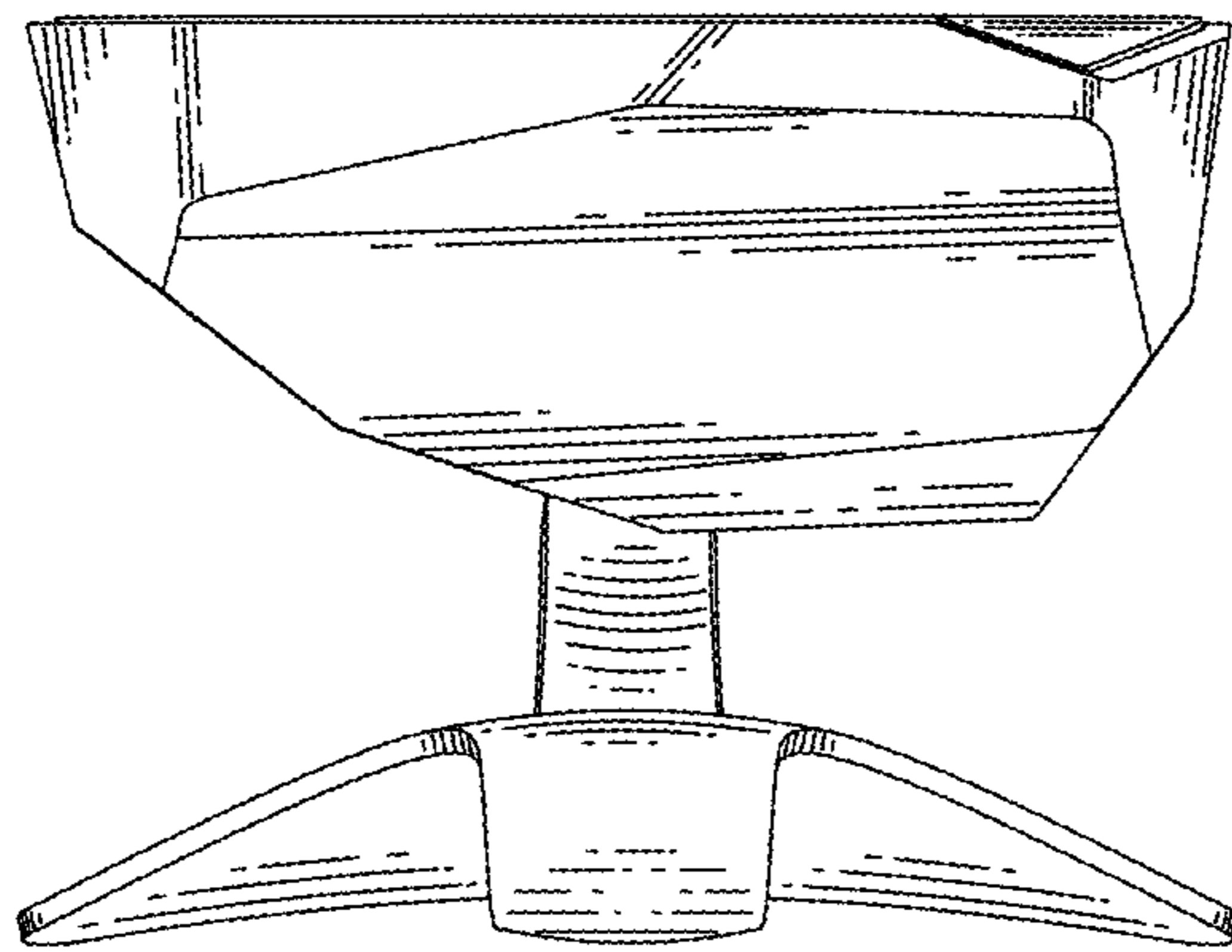


FIG. 2

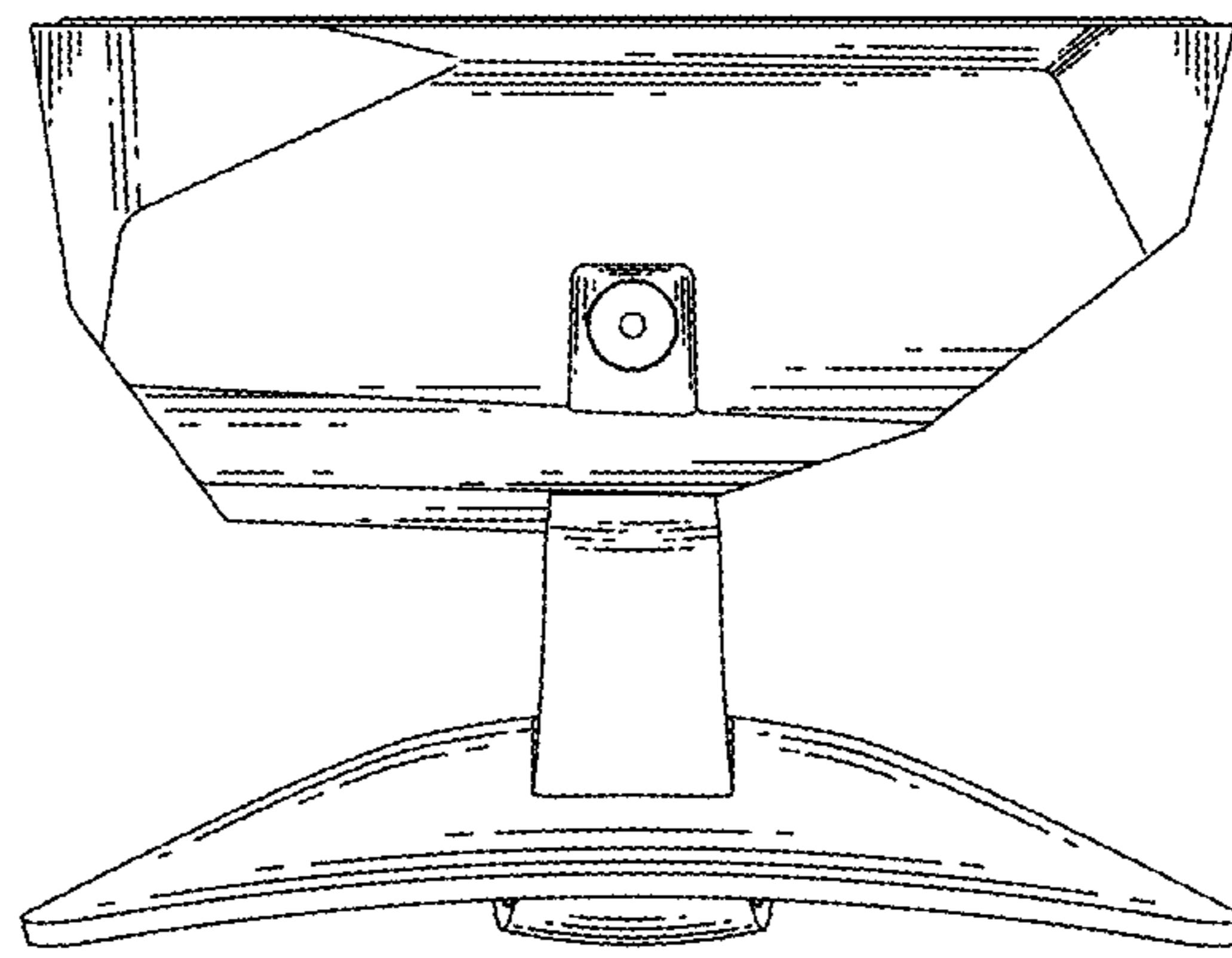


FIG. 3

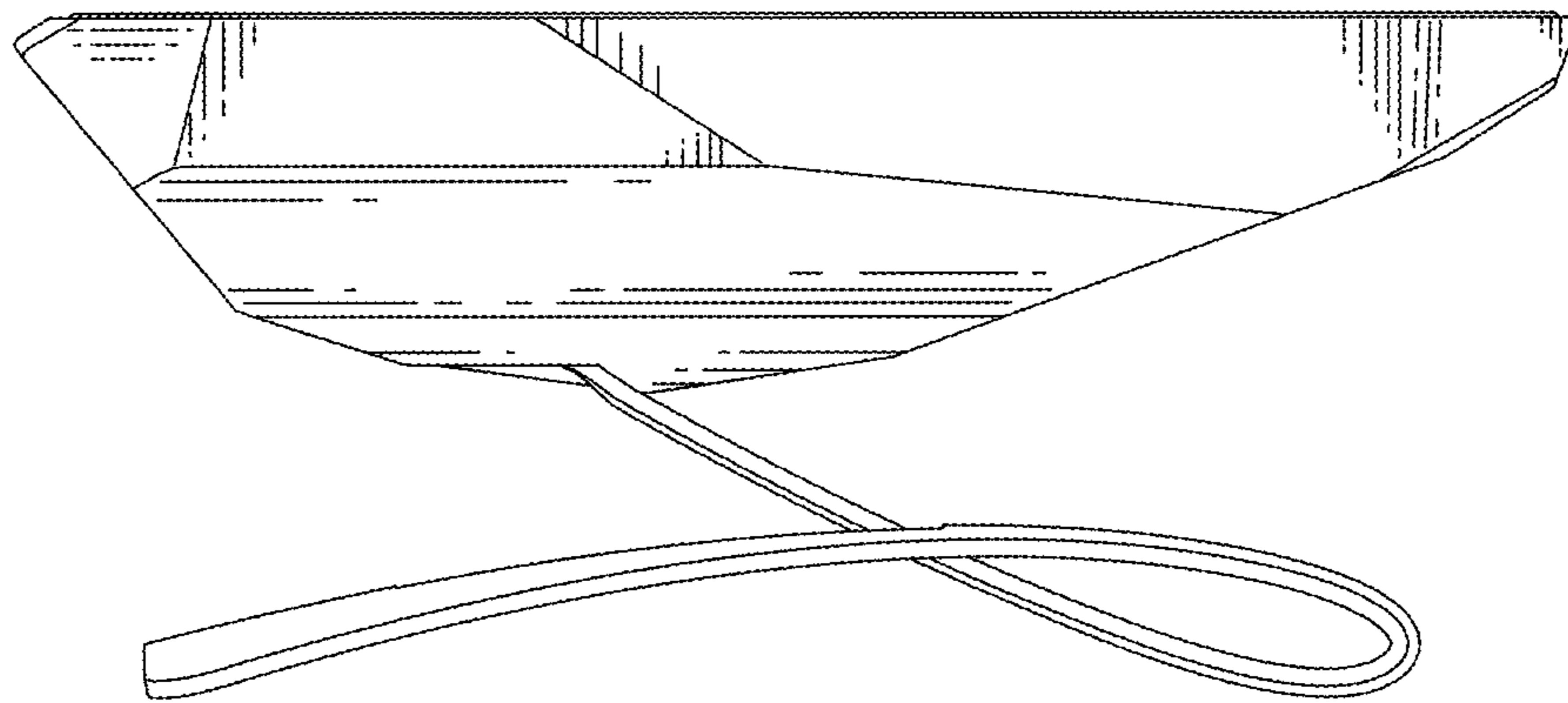


FIG. 4

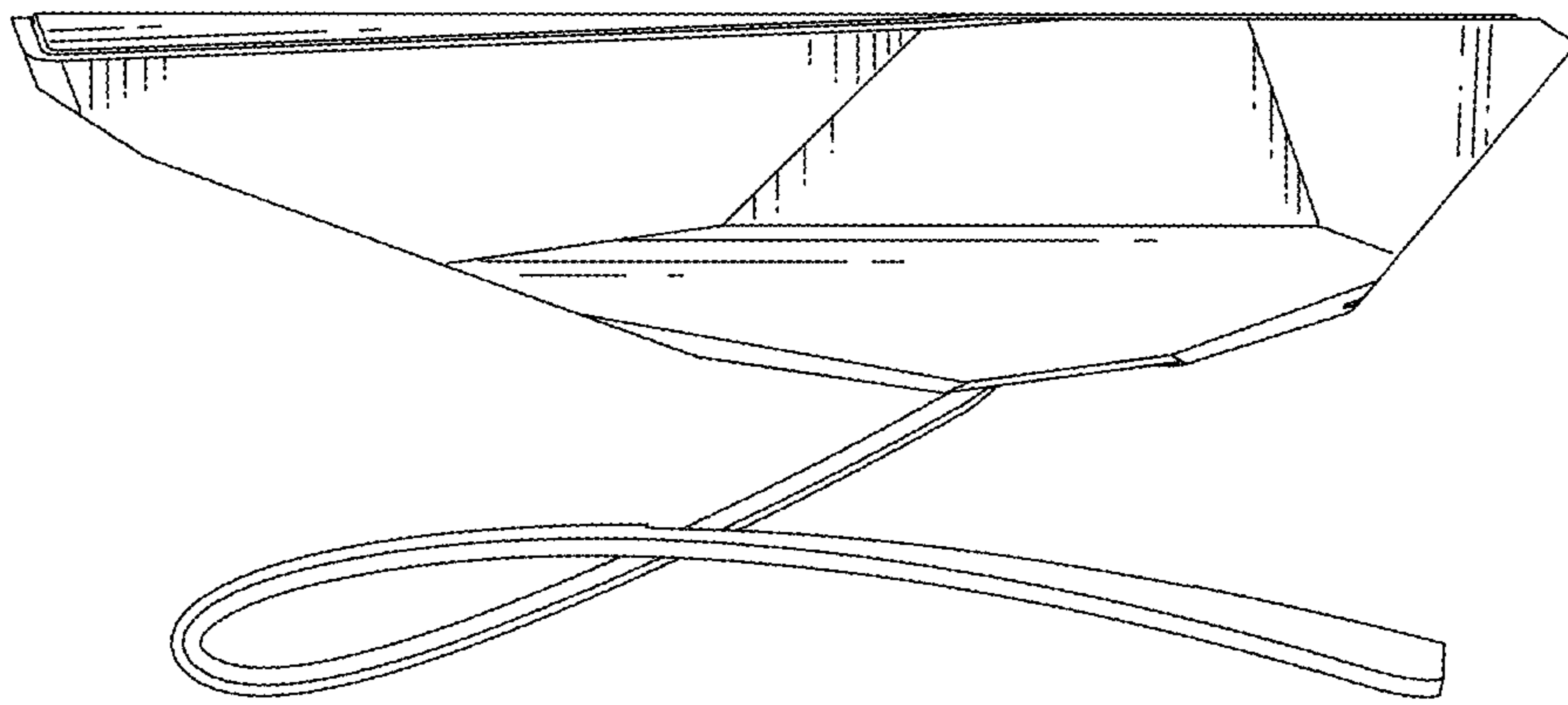


FIG. 5

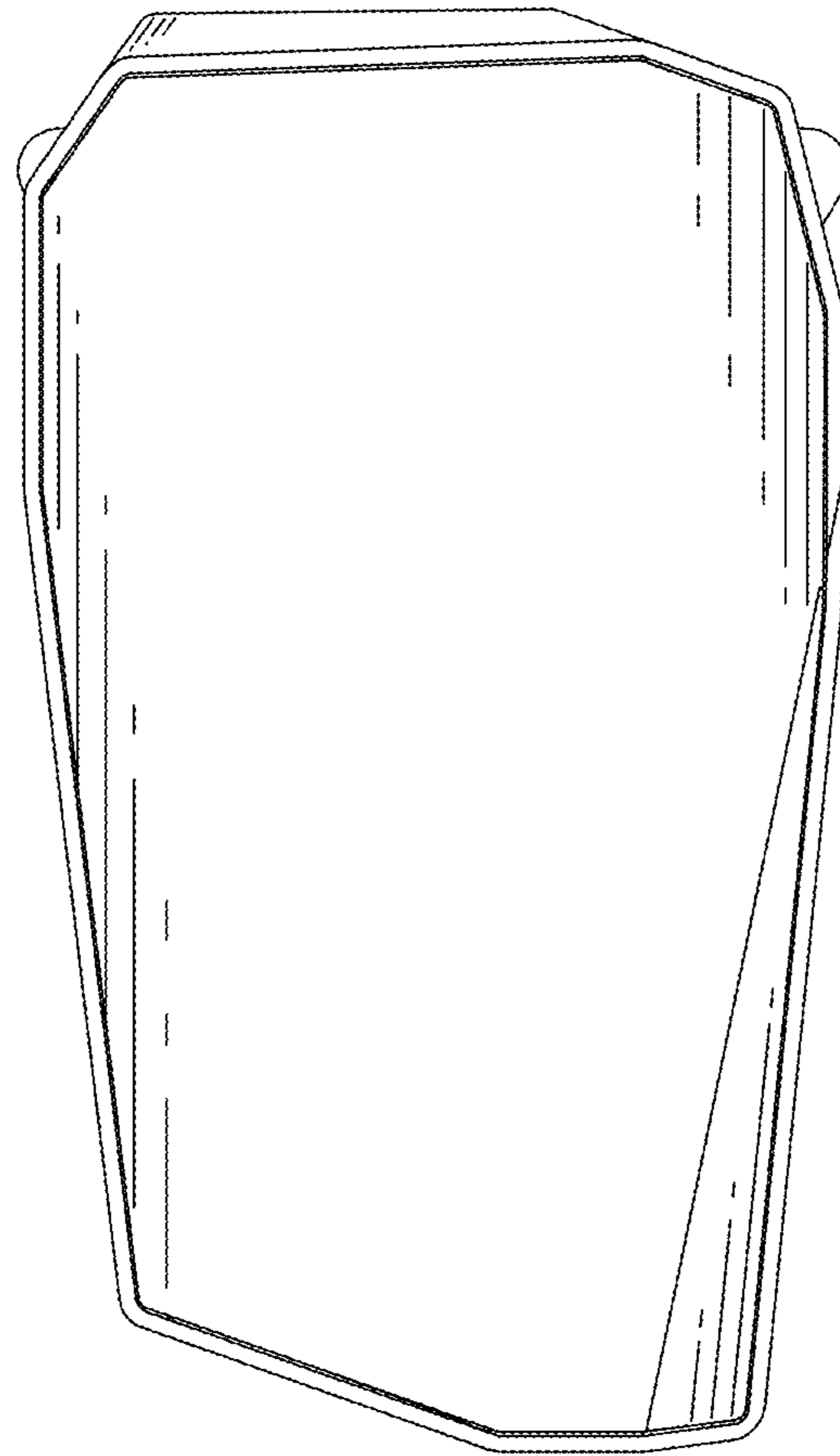


FIG. 6

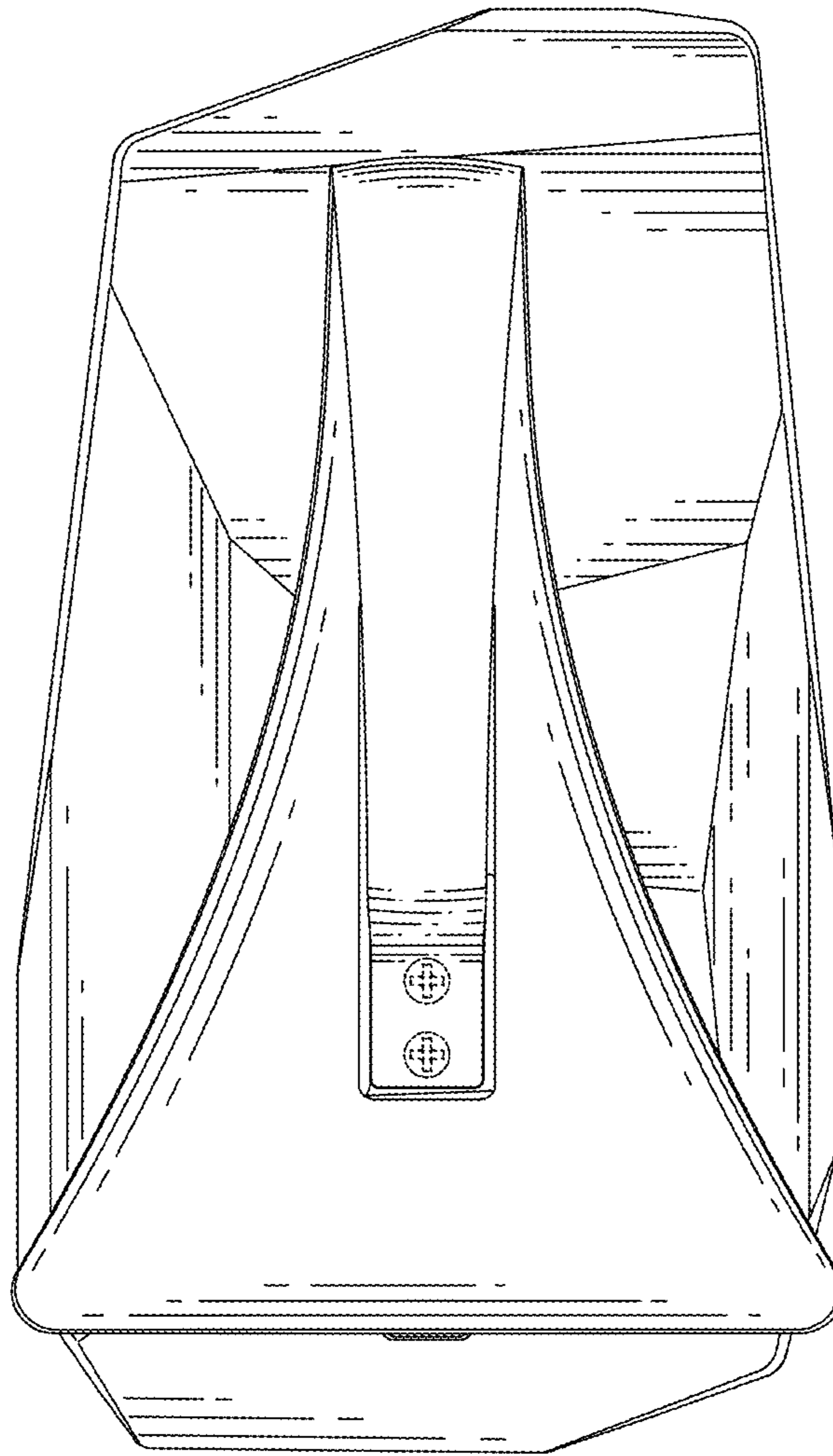


FIG. 7

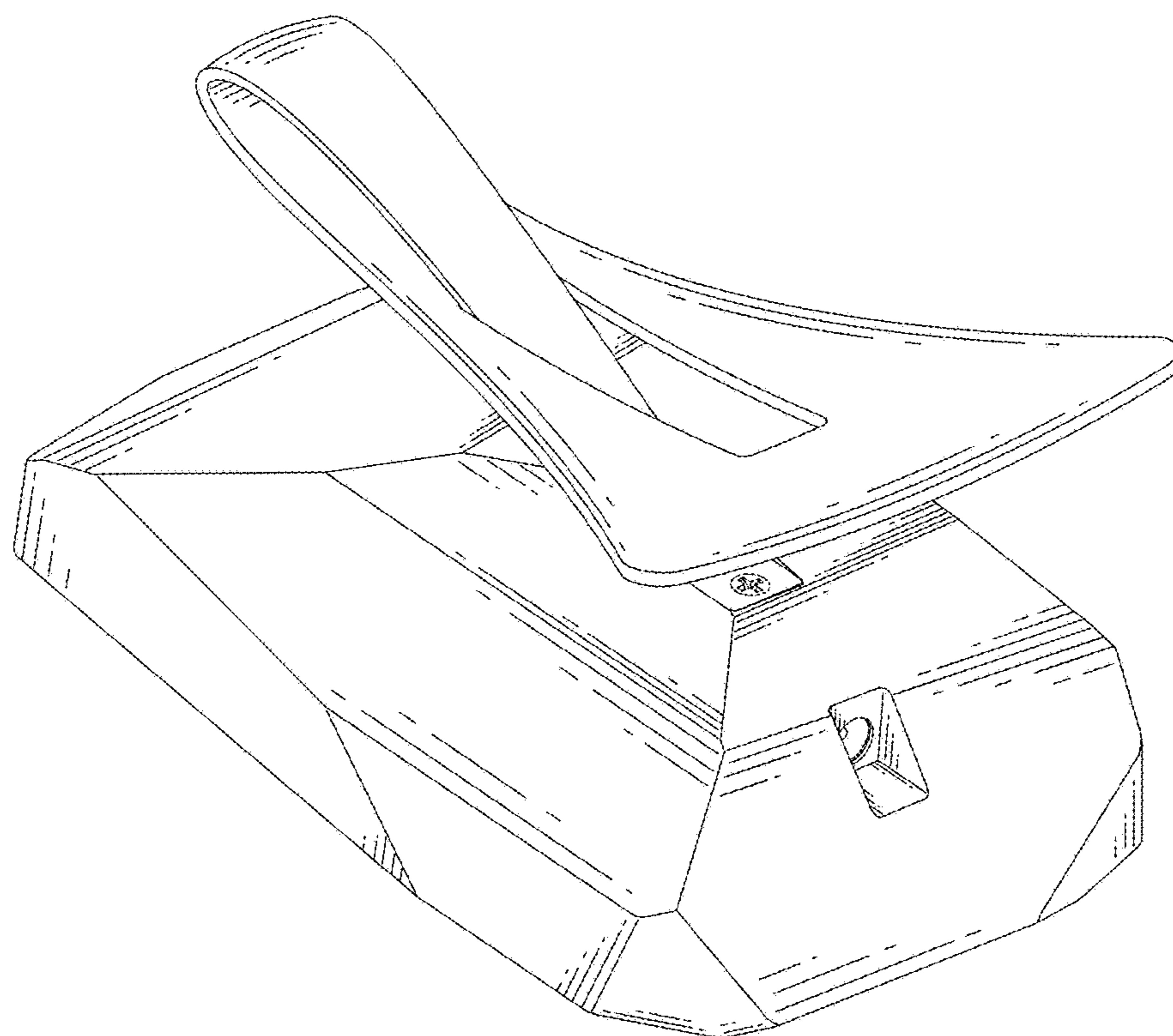


FIG. 8