



US00D806648S

(12) **United States Design Patent** (10) **Patent No.:** **US D806,648 S**
Beedham et al. (45) **Date of Patent:** **** Jan. 2, 2018**

(54) **HEARING AID CHARGING UNIT**
(71) Applicant: **SONOVA AG**, Stäfa (CH)
(72) Inventors: **Martyn Beedham**, Zürich (CH);
Stefanie Klein, Lemmer (NL)
(73) Assignee: **Sonova AG**, Staefa (CH)
(**) Term: **15 Years**
(21) Appl. No.: **35/502,069**
(22) Filed: **Nov. 7, 2016**

D769,234 S * 10/2016 Rami D14/253
D774,455 S * 12/2016 Kim D13/108
D776,052 S * 1/2017 Nommensen D13/107
D776,270 S * 1/2017 Wilcox D24/127
D776,659 S * 1/2017 Hou D14/433
D777,100 S * 1/2017 Price D13/103
D784,258 S * 4/2017 Vienna D13/108
D784,343 S * 4/2017 Chen D14/434
D787,463 S * 5/2017 Maxwell D14/130
D791,622 S * 7/2017 Chang D10/46
D793,954 S * 8/2017 Clervi D13/107
D797,042 S * 9/2017 Miller D13/107
D797,099 S * 9/2017 Wieser D14/300
D797,665 S * 9/2017 Champaign D13/108
D798,867 S * 10/2017 Carnevali D14/434
D800,653 S * 10/2017 Smiedt D13/107

(Continued)

(80) **Hague Agreement Data**

Int. Filing Date: **Nov. 7, 2016**
Int. Reg. No.: **DM/093645**
Int. Reg. Date: **Nov. 7, 2016**
Int. Reg. Pub. Date: **Dec. 9, 2016**

Primary Examiner — Rhea Shields

(57) **CLAIM**

The ornamental design for a hearing aid charging unit, as shown and described.

(51) **LOC (11) Cl.** **13-02**

(52) **U.S. Cl.**
USPC **D13/107**

DESCRIPTION

(58) **Field of Classification Search**
USPC D13/107, 101, 108, 103; D14/223, 434,
D14/300, 130, 433, 253, 420; D26/120;
D3/276; D24/127; D10/46
CPC A45C 5/02; H20J 7/0045
See application file for complete search history.

1. Hearing aid charging unit

- 1.1 : Front
- 1.2 : Back
- 1.3 : Right
- 1.4 : Left
- 1.5 : Bottom
- 1.6 : Top
- 1.7 : Perspective

Fig. 1.1 is a front side view of a hearing aid charging unit showing our new design; fig. 1.2 is a rear side view thereof; fig. 1.3 is a right side view thereof; fig. 1.4 is a left side view thereof; fig. 1.5 is a bottom view thereof; fig. 1.6 is a top view thereof; fig. 1.7 is a top, front and left side perspective view thereof.

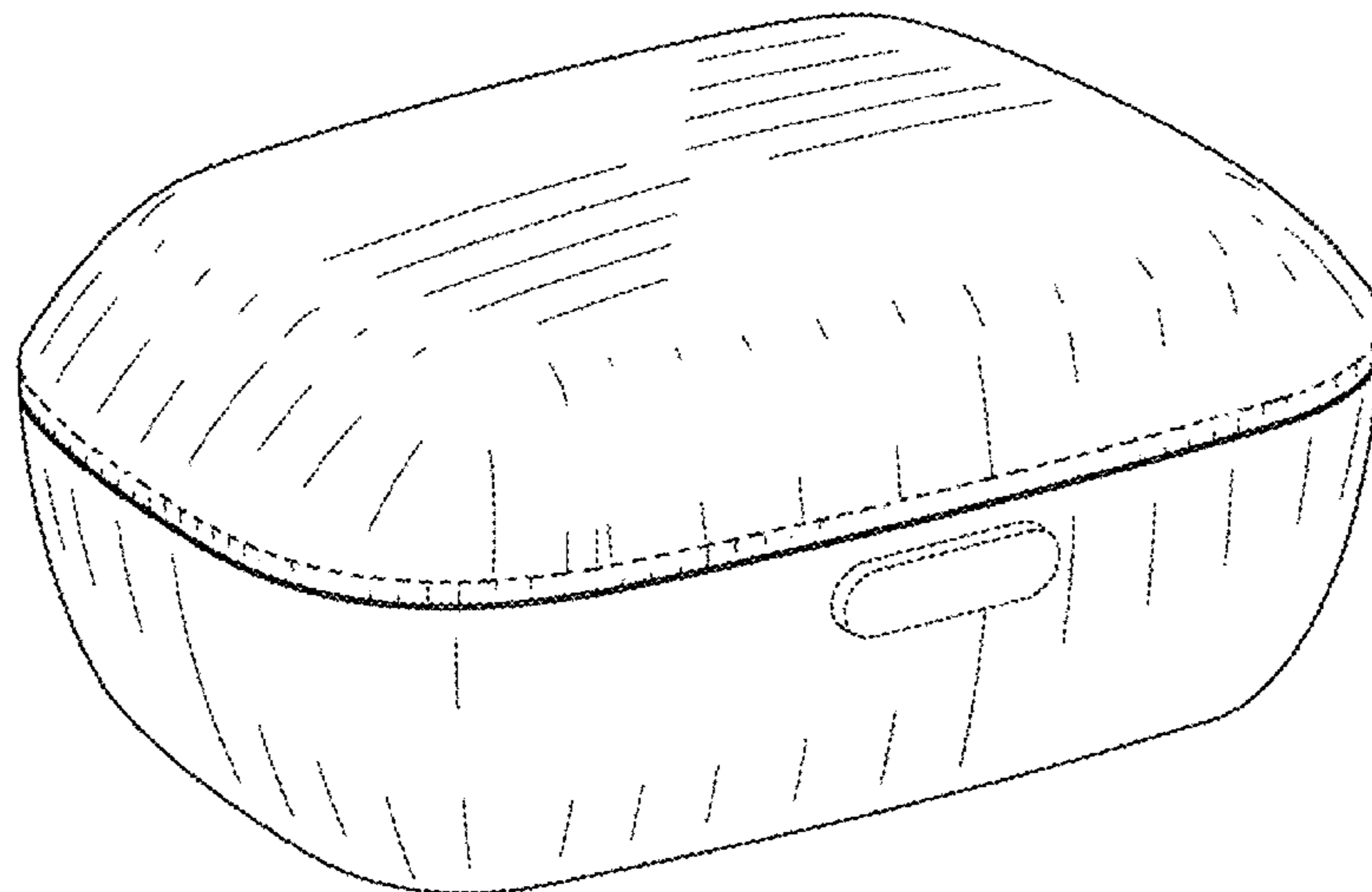
In the drawings, the broken lines are for the purpose of illustrating environment only and form no part of the claimed design.

(56) **References Cited**

U.S. PATENT DOCUMENTS

D453,267 S * 2/2002 Beedham D3/276
D741,254 S * 10/2015 Kelly D13/101
D747,267 S * 1/2016 Aumiller D13/108
D753,869 S * 4/2016 Prijic D26/120
D757,010 S * 5/2016 Kang D14/420
D757,014 S * 5/2016 Hahn D13/108
D759,621 S * 6/2016 Maxwell D14/130
D760,721 S * 7/2016 Akana D14/434
D763,789 S * 8/2016 Mchatet D13/107

1 Claim, 7 Drawing Sheets



(56)

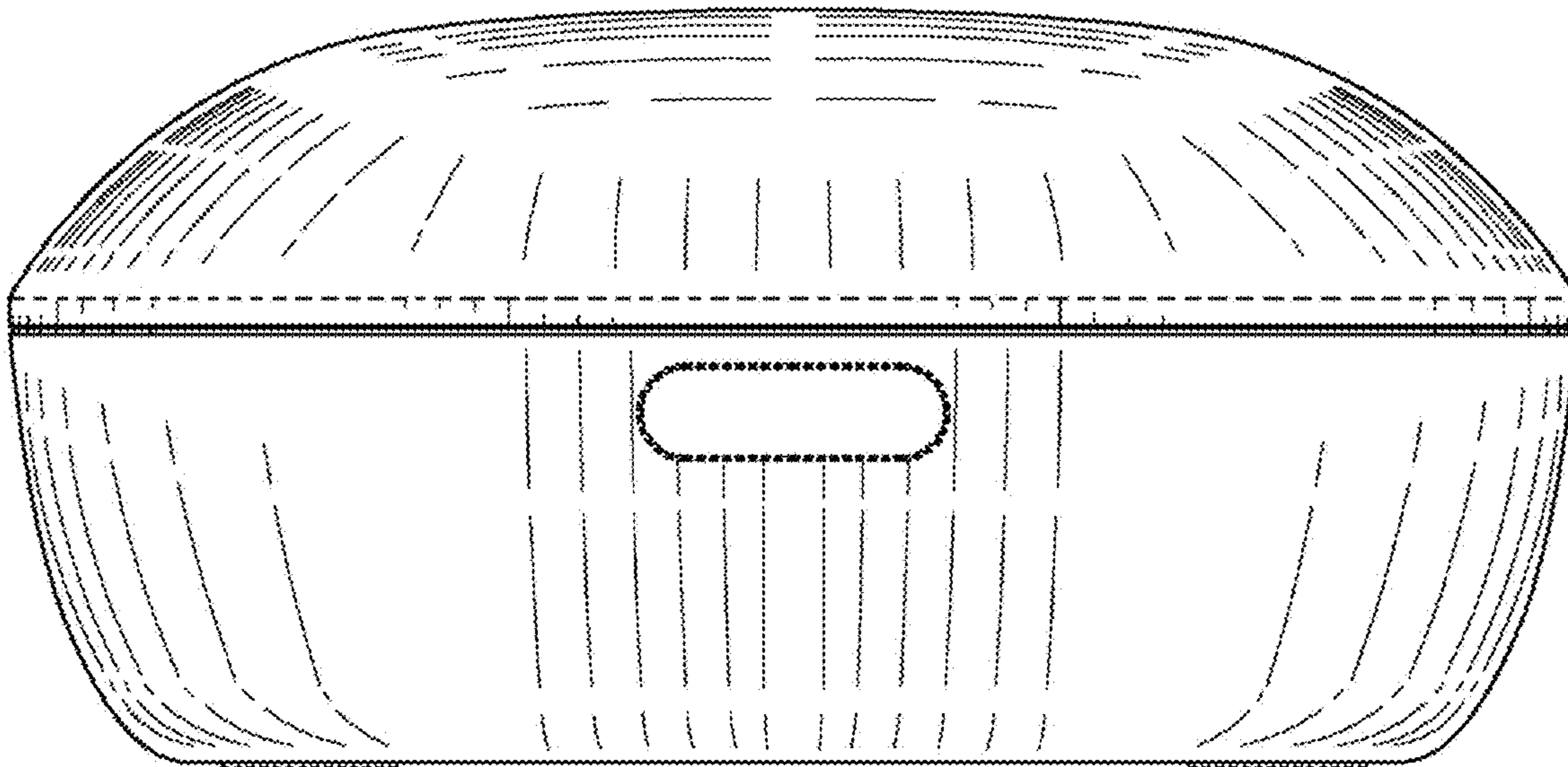
References Cited

U.S. PATENT DOCUMENTS

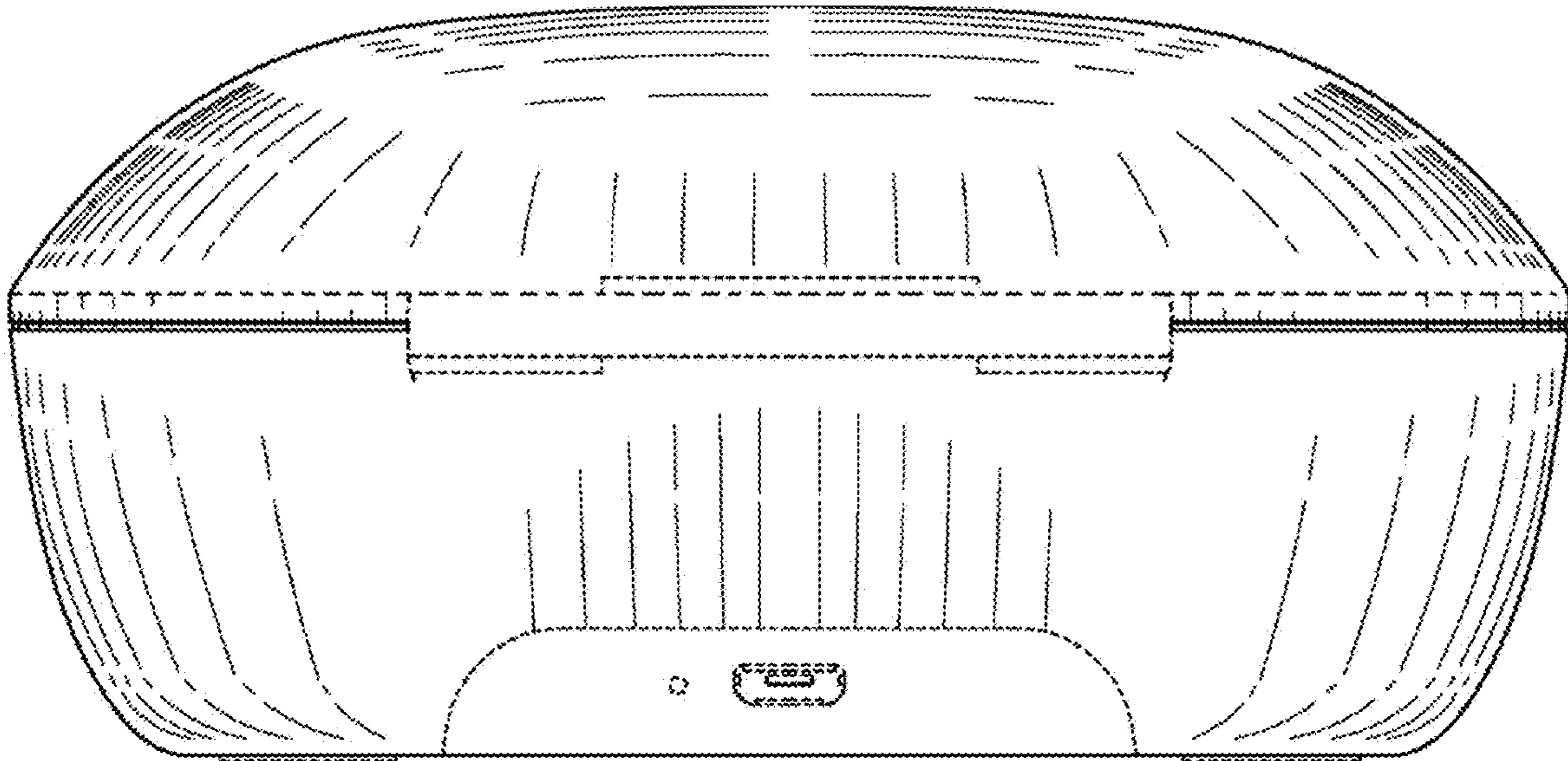
D801,312 S * 10/2017 Birger H04R 1/1016
D14/223
2004/0231941 A1* 11/2004 Van Hoya A45C 5/02
190/124
2015/0295440 A1* 10/2015 Liao H02J 7/0045
320/103

* cited by examiner

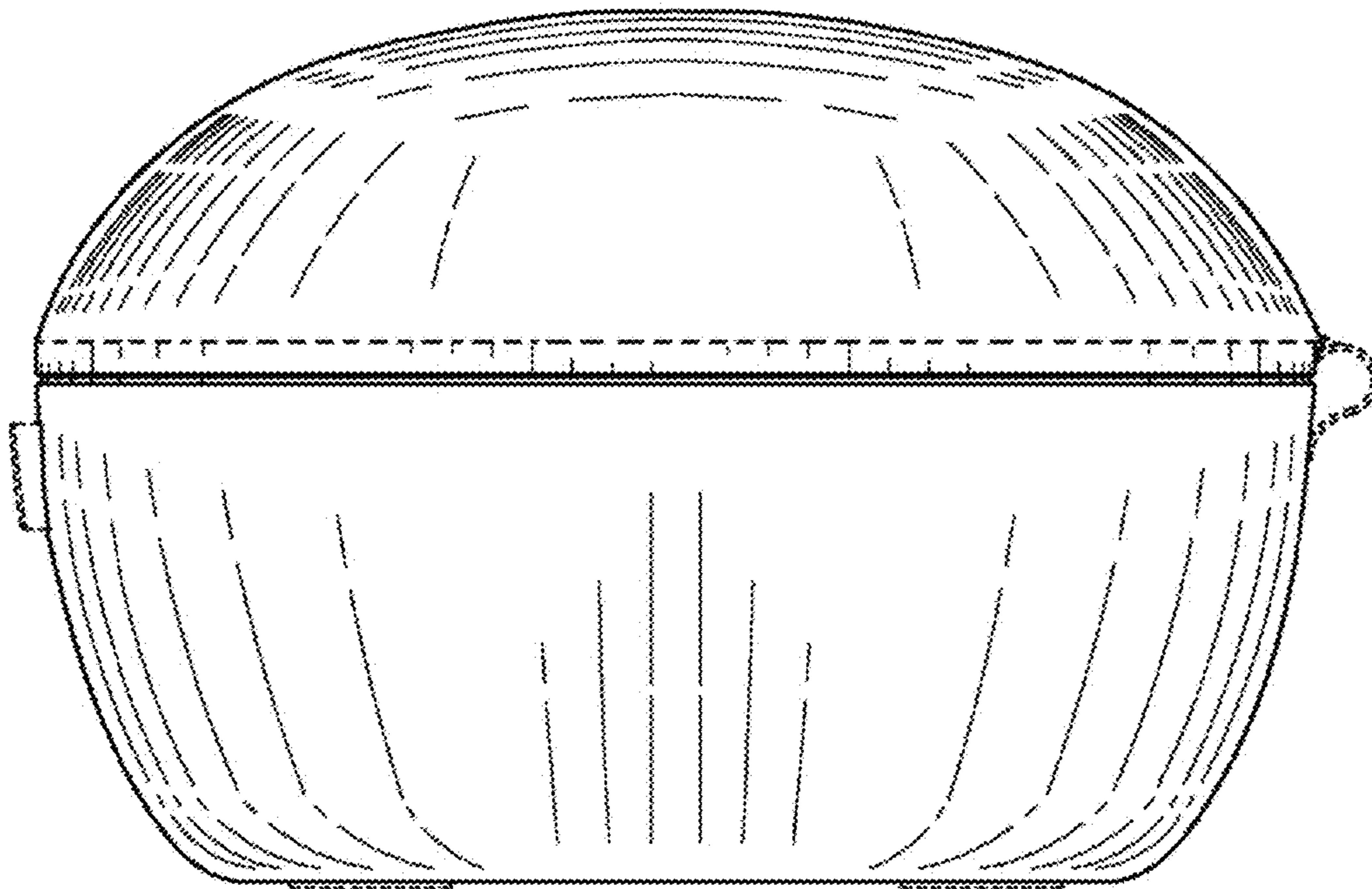
1.1



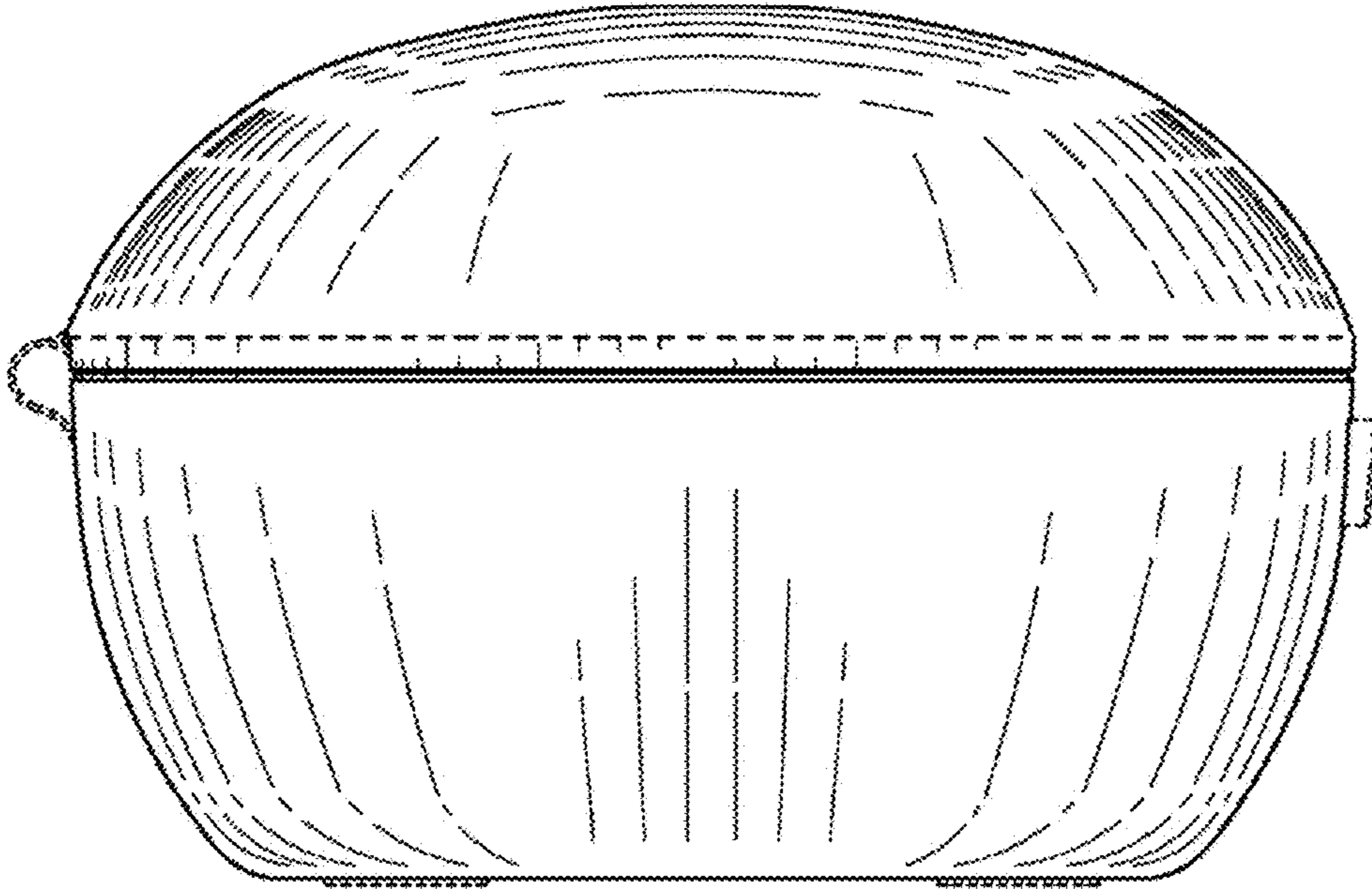
1.2



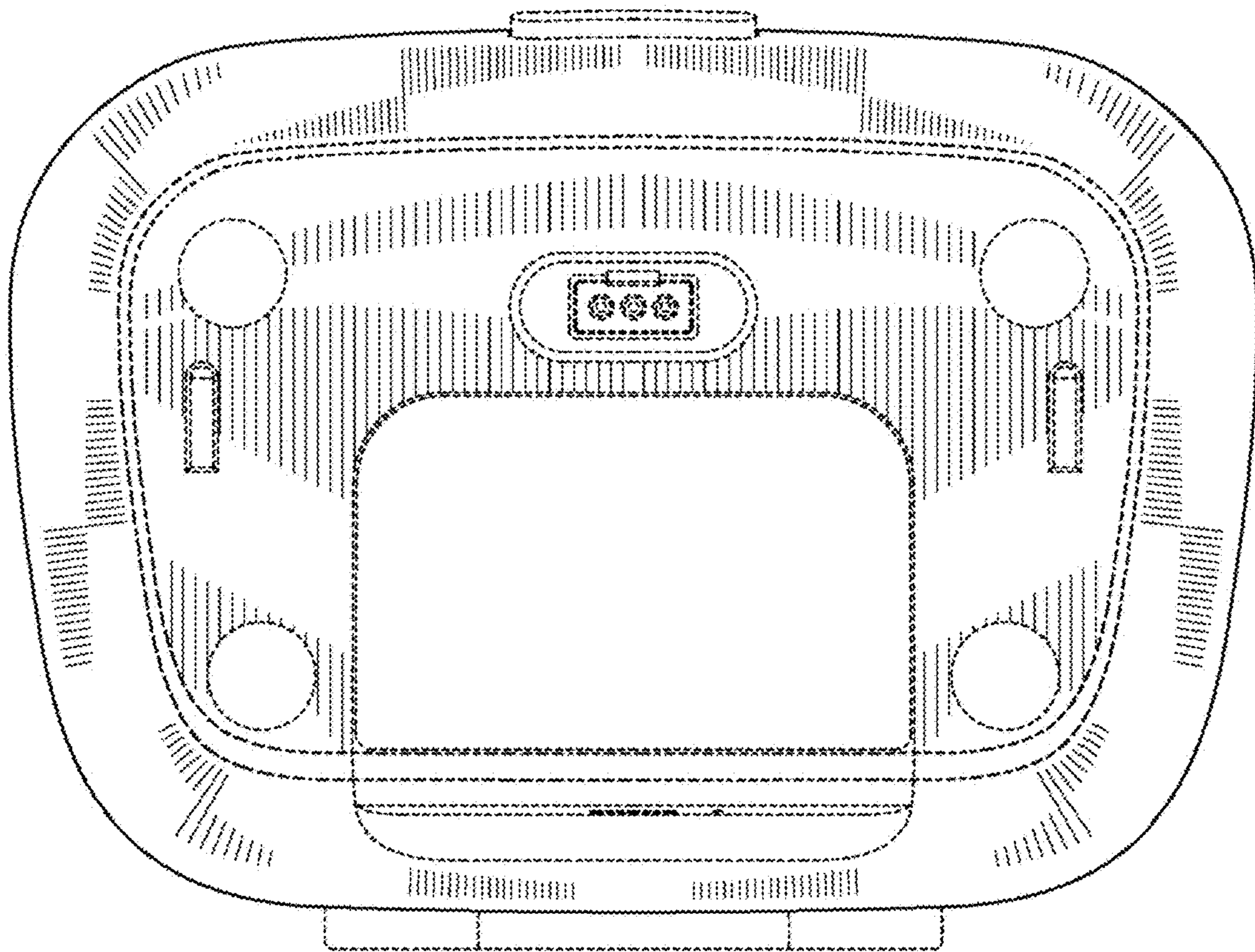
1.3



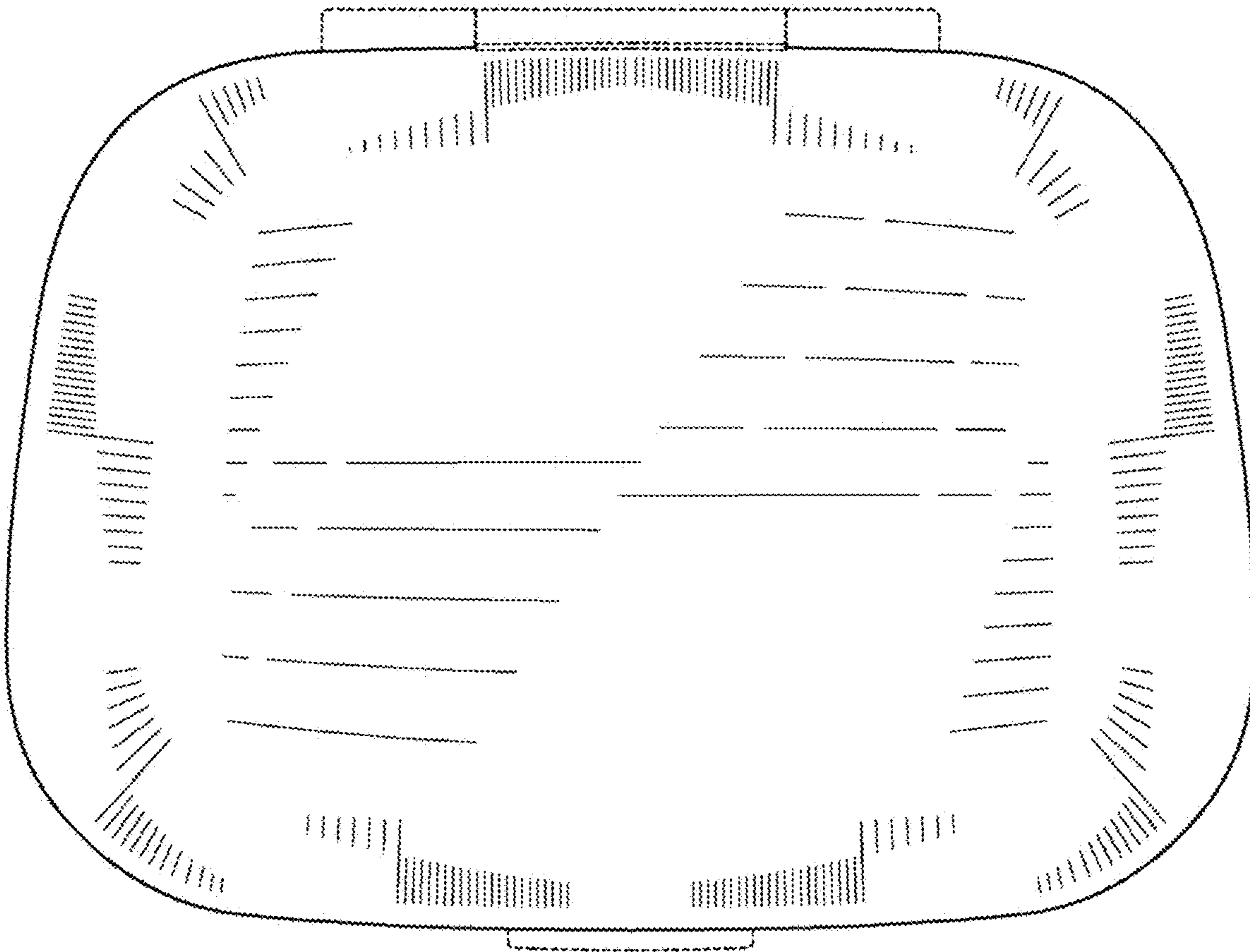
1.4



1.5



1.6



1.7

