



US00D806645S

(12) **United States Design Patent** (10) **Patent No.:** **US D806,645 S**
Ercole (45) **Date of Patent:** **** Jan. 2, 2018**

(54) **PROFILE FOR A SOLAR COLLECTOR**

(71) Applicant: **CORDIVARI S.R.L.**, Morro d'Oro (IT)
(72) Inventor: **Cordivari Ercole**, Morro d'Oro (IT)
(73) Assignee: **Cordivari S.R.L.**, Morro d'Oro (IT)
(**) Term: **15 Years**

(21) Appl. No.: **29/539,278**

(22) Filed: **Sep. 11, 2015**

(30) **Foreign Application Priority Data**

Mar. 12, 2015 (EM) DM/085947

(51) **LOC (11) Cl.** **13-02**

(52) **U.S. Cl.**
USPC **D13/102**

(58) **Field of Classification Search**
USPC D13/102, 103, 104, 107, 110, 119, 199;
136/244, 245, 251, 146, 158, 291;
323/906; 126/569, 571, 600, 621, 622,
126/680, 906; D25/119, 164, 61, 125,
D25/126, 199, 48.3, 60, 69; D6/707.24,
D6/707, 300; D8/349, 354; D20/44
CPC Y02E 10/50; Y02E 10/544; H01L 31/042;
H01L 25/04
See application file for complete search history.

(56) **References Cited**

U.S. PATENT DOCUMENTS

2,131,115 A * 9/1938 Naisuler E06B 3/30
428/603
D141,051 S * 5/1945 Kethum, Jr. D25/119
2,657,488 A * 11/1953 Knox A47G 1/08
40/732
D181,755 S * 12/1957 Spertus D6/300
D256,840 S * 9/1980 Katz D13/102
4,226,256 A * 10/1980 Hawley F24J 2/5233
126/569

4,421,943 A * 12/1983 Withjack F24J 2/5264
126/569
D276,938 S * 12/1984 Pedersen 5/636
D279,214 S * 6/1985 Hanson D13/102
D304,985 S * 12/1989 Raptis D6/300
D340,260 S * 10/1993 Parker D20/19
D441,545 S * 5/2001 Ungaro D6/300
D447,577 S * 9/2001 Gardner D25/119
D454,180 S * 3/2002 Wessels D23/267
D486,248 S * 2/2004 Sudano D25/119

(Continued)

Primary Examiner — Derrick Holland

Assistant Examiner — Jennifer O King

(74) *Attorney, Agent, or Firm* — Arent Fox LLP

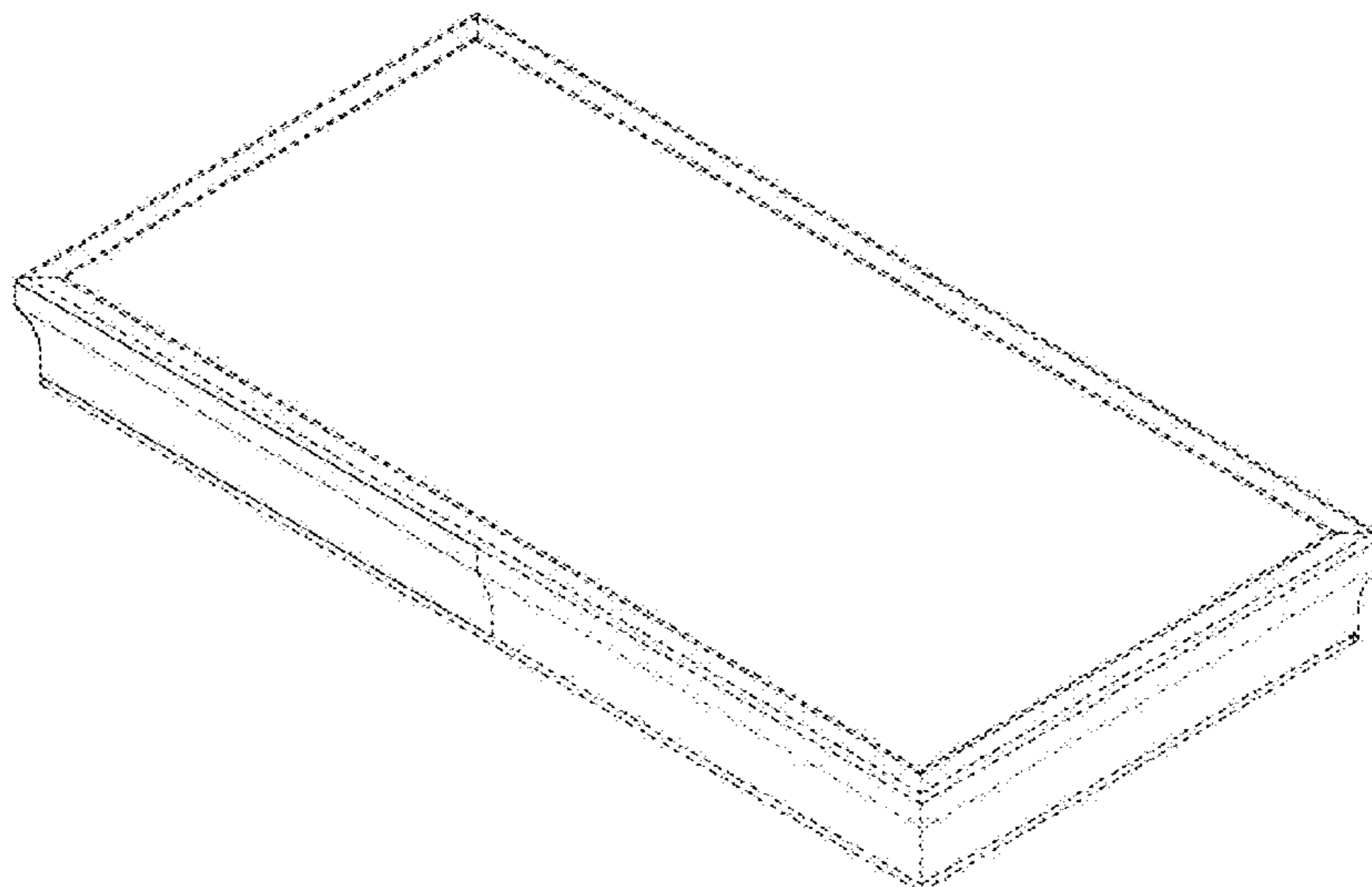
(57) **CLAIM**

The ornamental design for a profile for a solar collector, as shown and described.

DESCRIPTION

FIG. 1 is a perspective view of a first embodiment of a profile for a solar collector showing my new design; FIG. 2 is a top view of the profile of FIG. 1; FIG. 3 is a left side view of the profile of FIG. 1; FIG. 4 is a rear view of the profile of FIG. 1; FIG. 5 is a right side view of the profile of FIG. 1; FIG. 6 is a front view of the profile of FIG. 1; FIG. 7 is a bottom view of the profile of FIG. 1; FIG. 8 is a perspective view of a second embodiment of a profile for a solar collector showing my new design; FIG. 9 is a top view of the profile of FIG. 8; FIG. 10 is a left side view of the profile of FIG. 8; FIG. 11 is a rear view of the profile of FIG. 8; FIG. 12 is a right side view of the profile of FIG. 8; FIG. 13 is a front view of the profile of FIG. 8; and, FIG. 14 is a bottom view of the profile of FIG. 8. The broken lines shown represent unclaimed subject matter and form no part of the claimed design.

1 Claim, 14 Drawing Sheets



(56)

References Cited

U.S. PATENT DOCUMENTS

D505,794	S *	6/2005	Mohundro	D6/300
6,968,654	B2 *	11/2005	Moulder	F24J 2/464 126/623
D518,651	S *	4/2006	Mayer	D6/300
D547,262	S *	7/2007	Ullman	D13/102
D560,605	S *	1/2008	McClintock	D13/102
D597,743	S *	8/2009	Skinner	D25/119
D599,286	S *	9/2009	Horito	D13/102
D630,162	S *	1/2011	Bullen	D13/102
D630,578	S *	1/2011	Ekmekdje	D13/102
D639,734	S *	6/2011	Ferber	D13/108
8,061,091	B2 *	11/2011	Botkin	F24J 2/5211 126/623
D671,885	S *	12/2012	Steinau	D13/102
8,402,704	B2 *	3/2013	Hartley	E04H 6/025 136/244
D697,864	S *	1/2014	McGrath	D13/102
D701,488	S *	3/2014	Lim	D13/102
D701,827	S *	4/2014	Turk	D13/102
D708,123	S *	7/2014	Ilzhoefner	D13/102
D708,124	S *	7/2014	Ilzhoefner	D13/102
D718,228	S *	11/2014	Clarkson	D13/102
D718,704	S *	12/2014	Rizzo	D13/102
D718,876	S *	12/2014	Smedberg	D25/119
9,052,123	B2 *	6/2015	Anderson	F24J 2/5233
9,263,985	B2 *	2/2016	Silberschatz	H02S 30/10
2009/0235970	A1 *	9/2009	Chen	G06F 1/266 136/244
2013/0153006	A1 *	6/2013	Cox	H02S 20/00 136/251

* cited by examiner

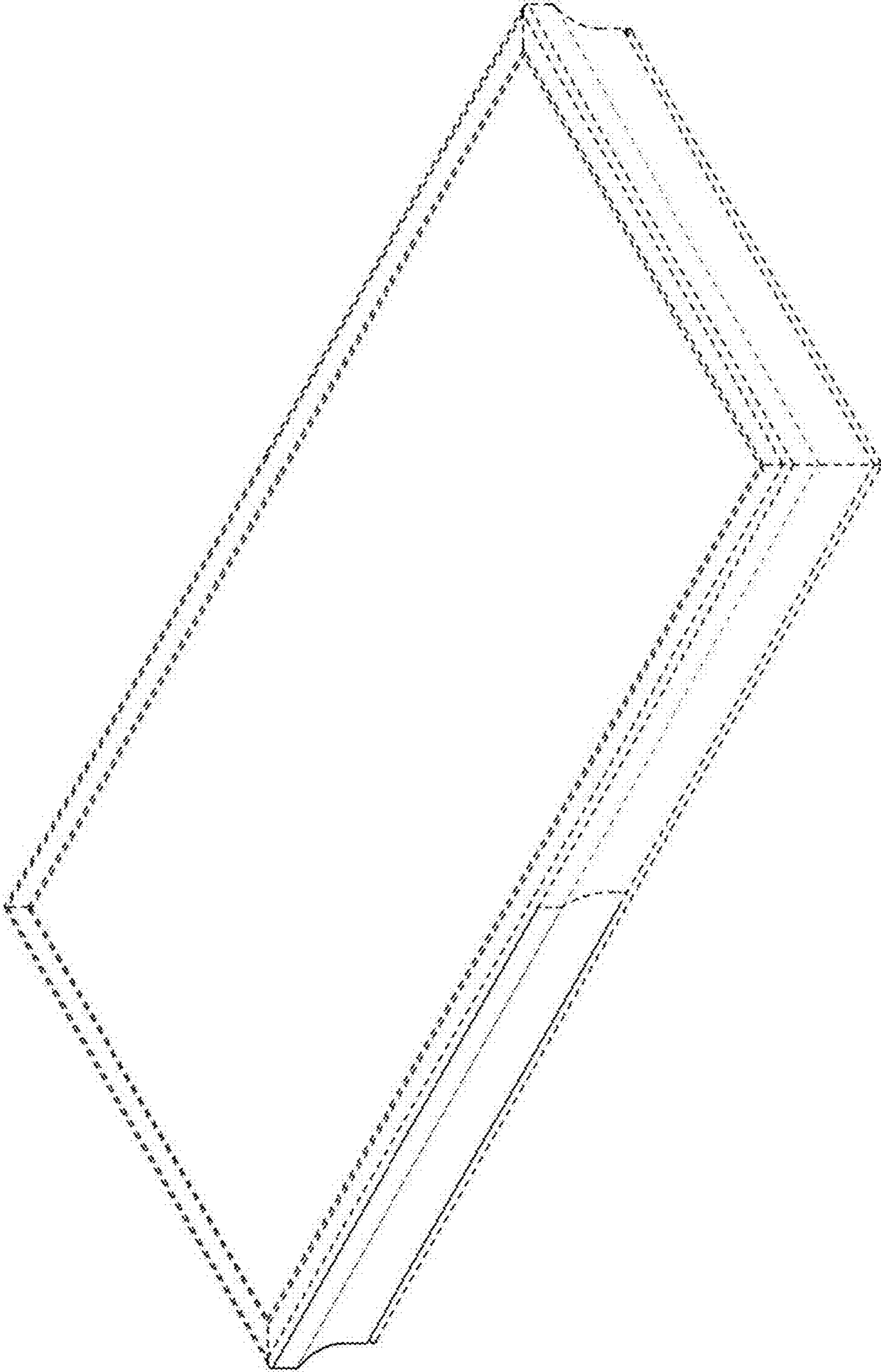


FIG. 1

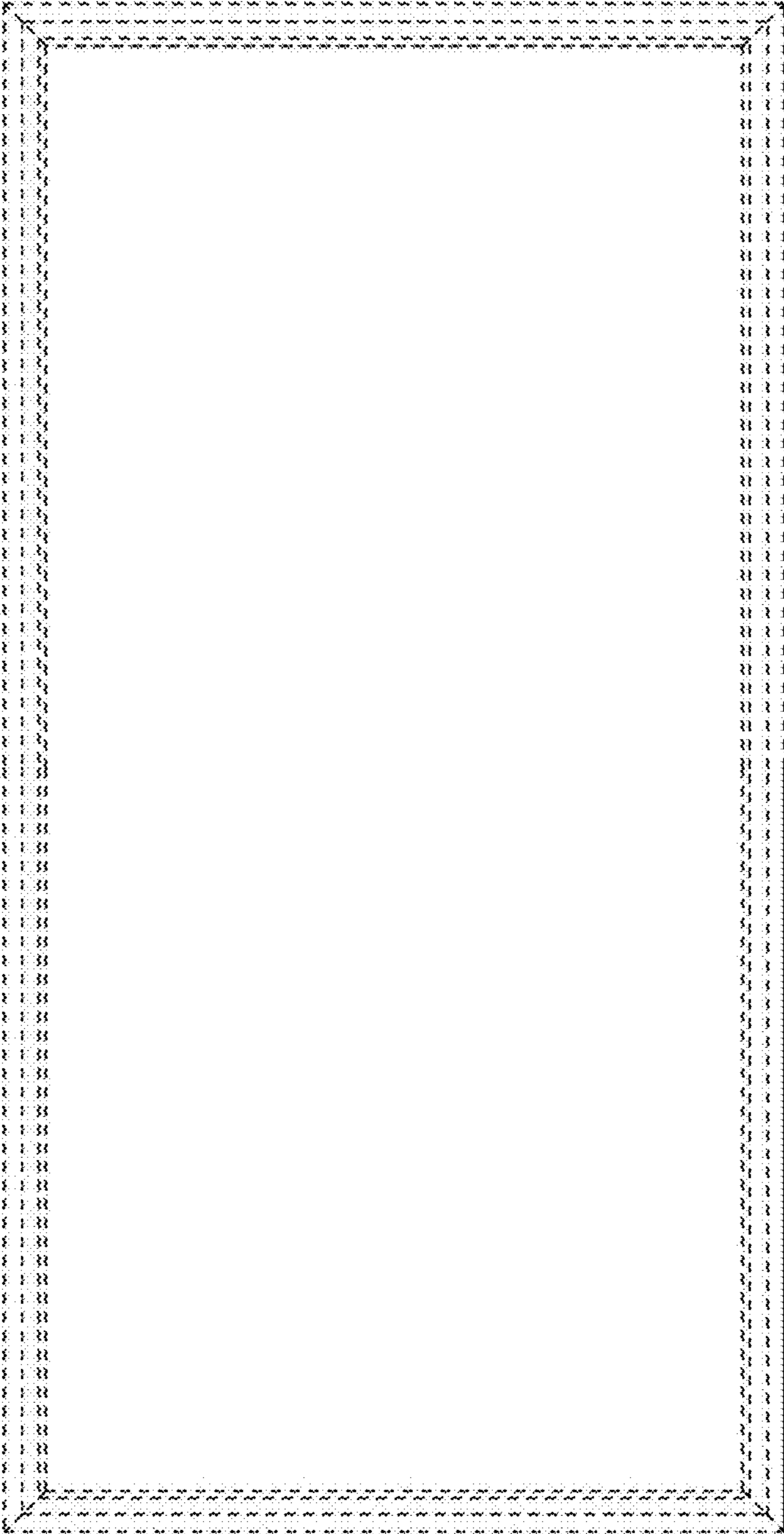


FIG. 2

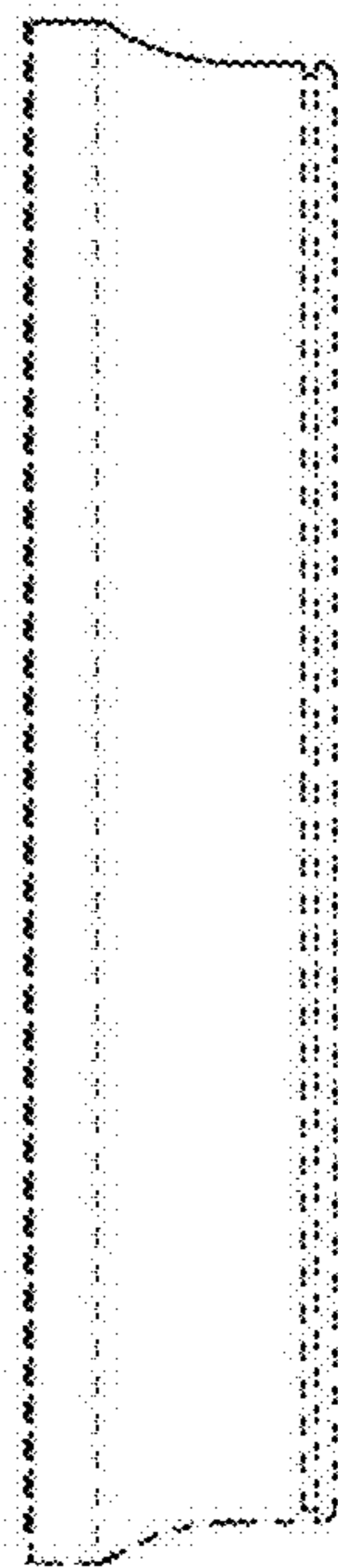


FIG. 3



FIG. 4



FIG. 5



FIG. 6

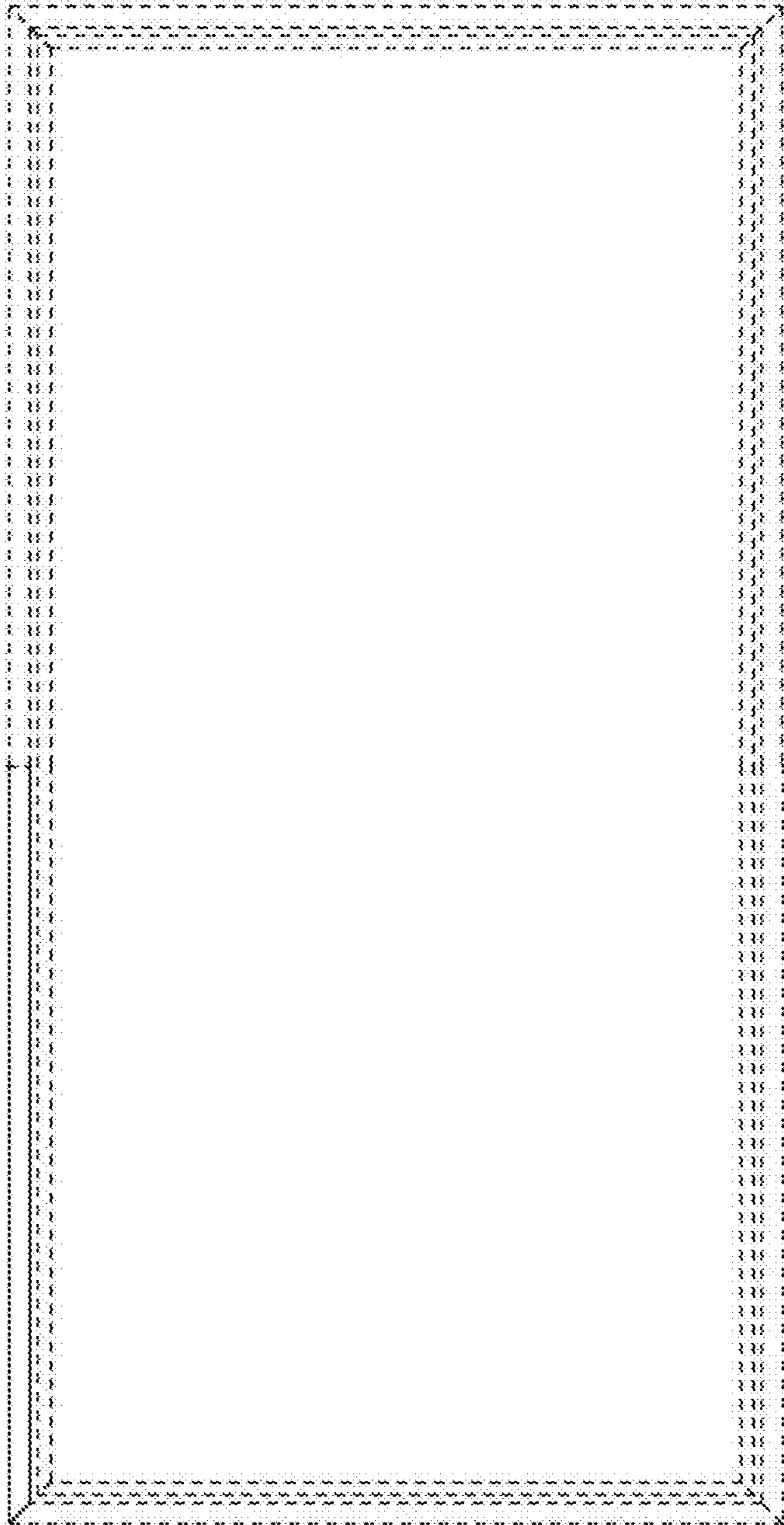


FIG. 7

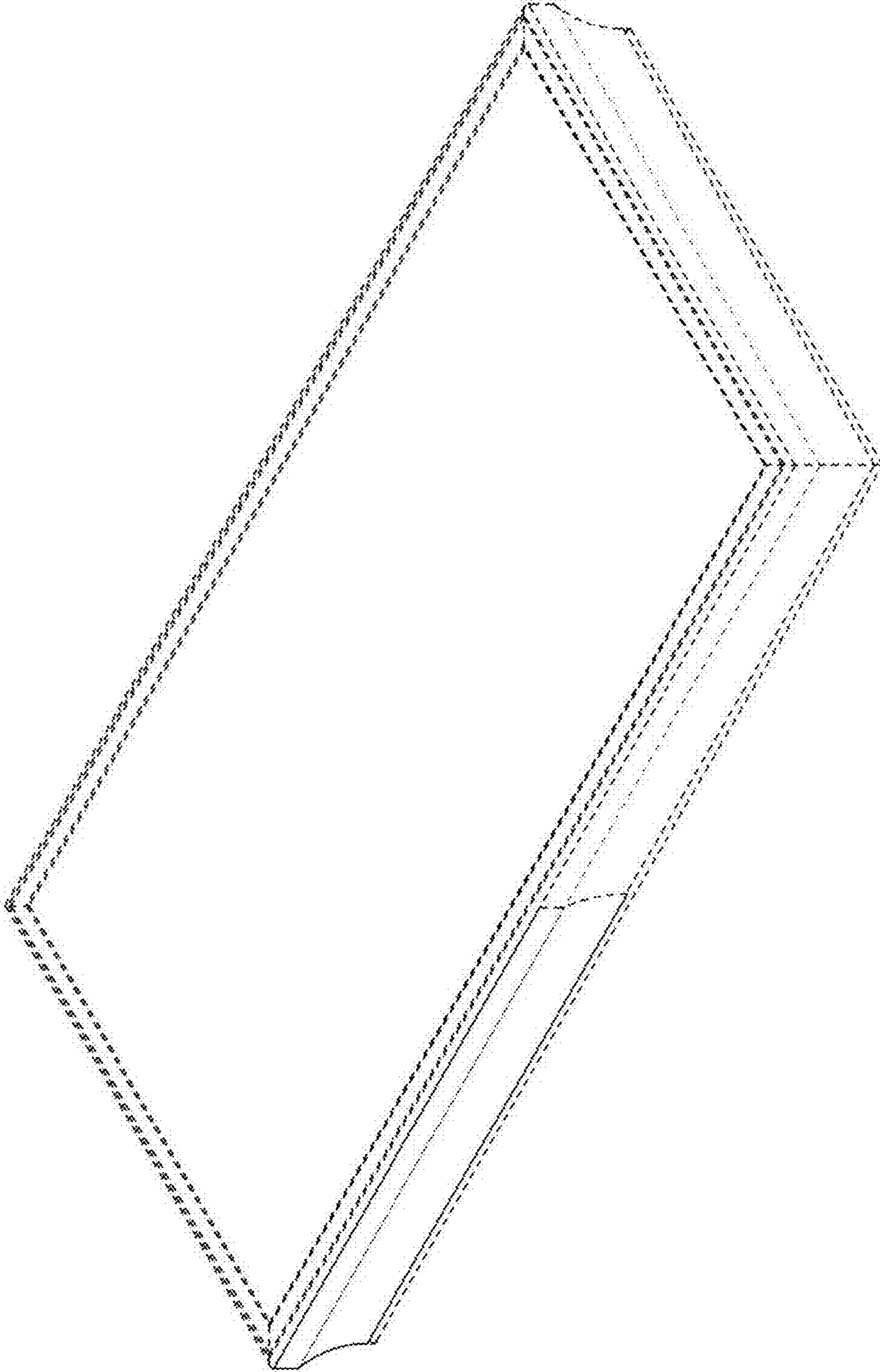


FIG. 8

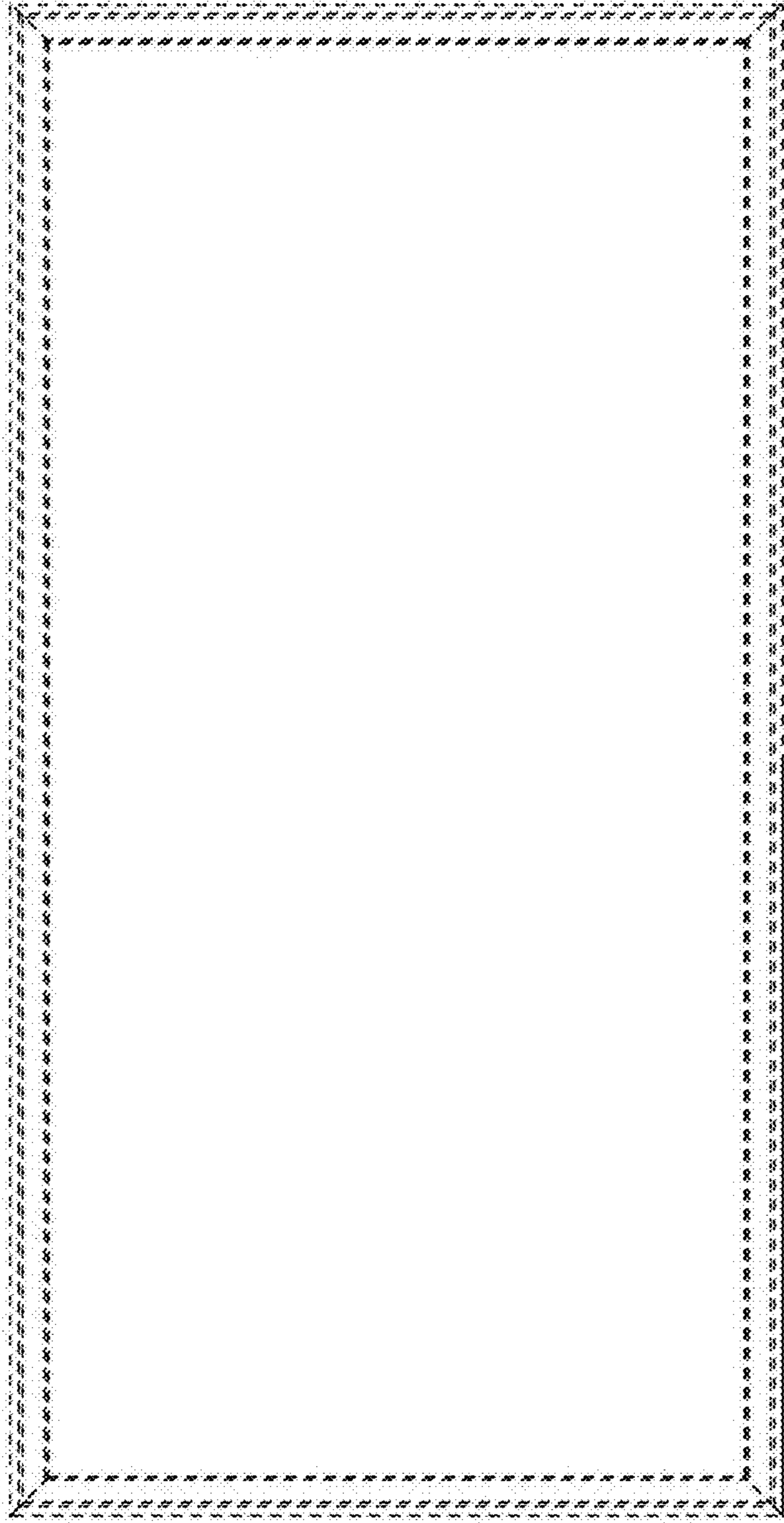


FIG. 9

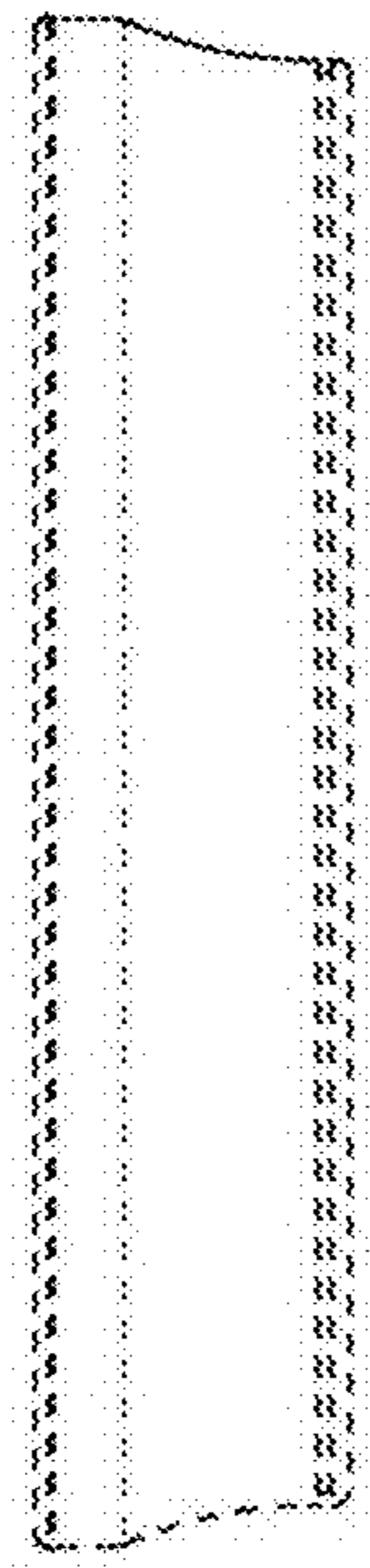


FIG. 10

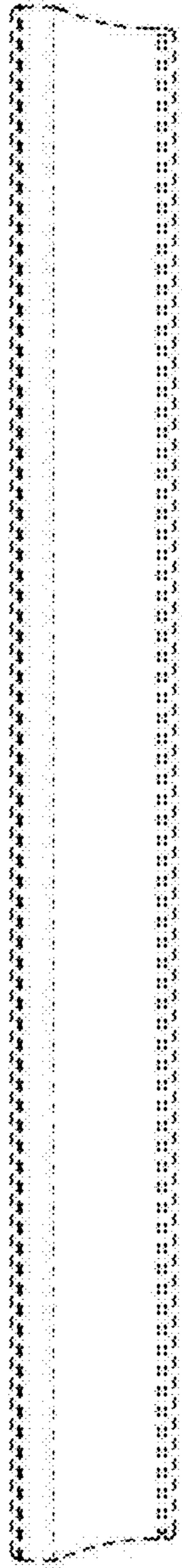


FIG. 11

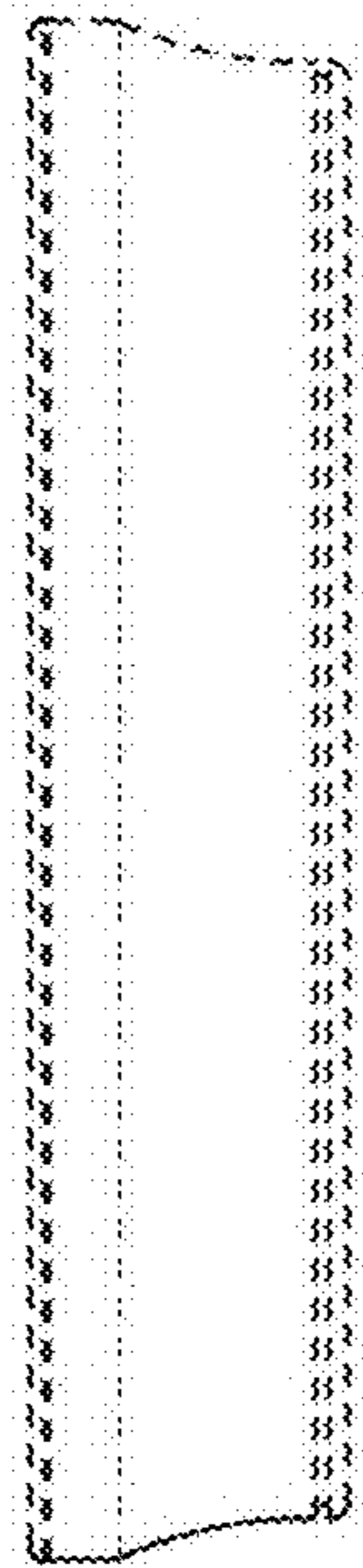


FIG. 12



FIG. 13

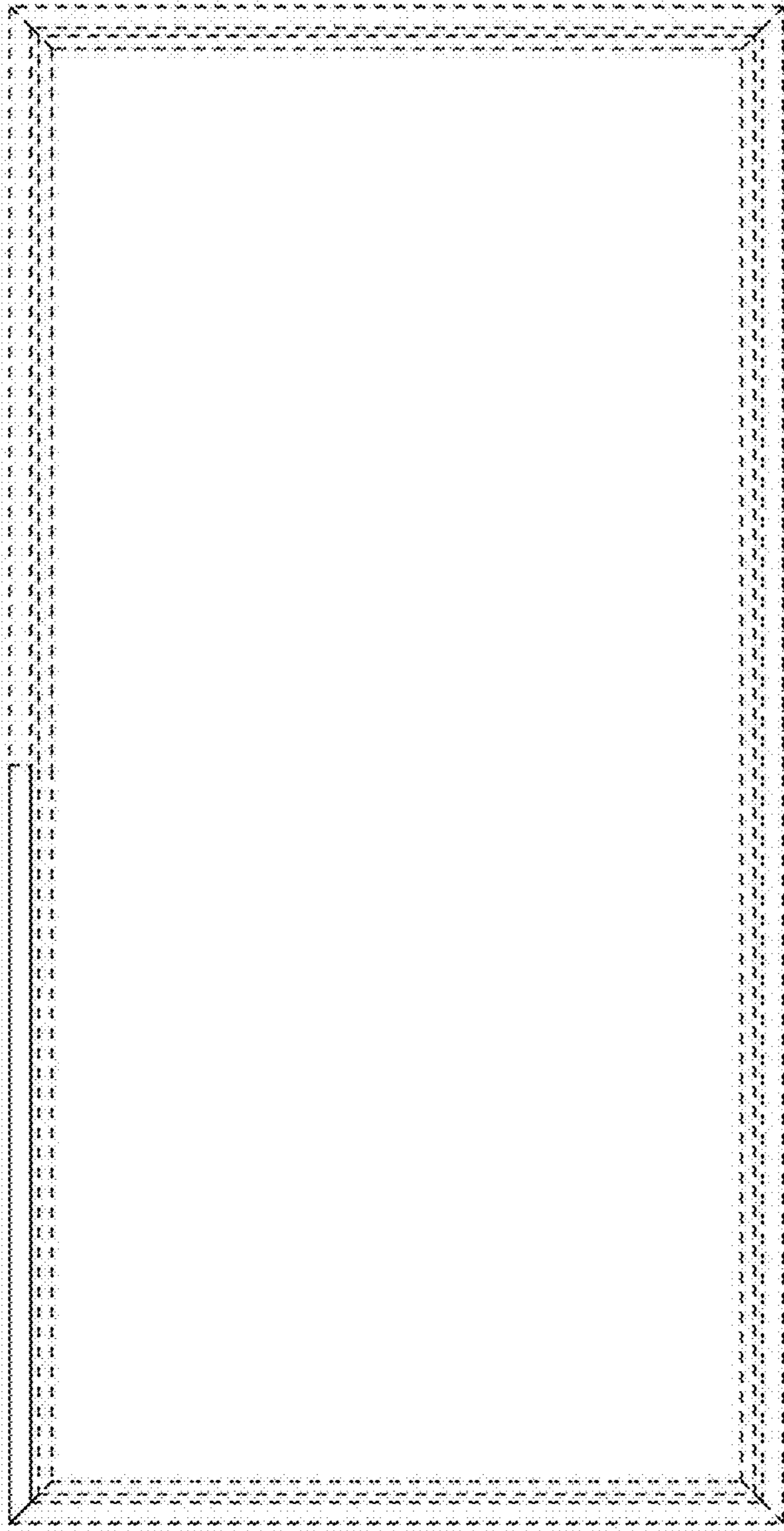


FIG. 14