



US00D806644S

(12) **United States Design Patent**
Mittleman et al.

(10) **Patent No.:** **US D806,644 S**
(45) **Date of Patent:** **** Jan. 2, 2018**

(54) **AC/DC ADAPTER**

H01R 13/745; H01R 23/727; H01R
31/065

(71) Applicant: **GOOGLE INC.**, Mountain View, CA
(US)

See application file for complete search history.

(72) Inventors: **Adam Duckworth Mittleman**,
Redwood City, CA (US); **Jason Evans**
Goulden, Los Gatos, CA (US);
Nicholas Webb, Menlo Park, CA (US);
Gregory Daniel Louis Germe,
Oakland, CA (US); **William Raeming**
Dong, Palo Alto, CA (US); **Rochus**
Jacob, San Francisco, CA (US)

(56) **References Cited**

U.S. PATENT DOCUMENTS

1,934,911 A 11/1933 Campbell
D234,218 S 1/1975 Donato
3,906,592 A 9/1975 Sakasegawa et al.
(Continued)

FOREIGN PATENT DOCUMENTS

CN 303729172 6/2016
EM 003361435-001 9/2016

(Continued)

OTHER PUBLICATIONS

Dropcam Pro, posted at Youtube.com, posted on Oct. 10, 2013,
[online], [site visited Jun. 16, 2017]. Available from Internet,
<<https://www.youtube.com/watch?v=NokAzHXsCQQ>>.*

(Continued)

Primary Examiner — Mary Ann Calabrese

Assistant Examiner — Catherine Ho

(74) *Attorney, Agent, or Firm* — Morgan, Lewis &
Bockius LLP

(73) Assignee: **GOOGLE INC.**, Mountain View, CA
(US)

(**) Term: **15 Years**

(21) Appl. No.: **29/570,412**

(22) Filed: **Jul. 7, 2016**

(51) **LOC (11) Cl.** **13-02**

(52) **U.S. Cl.**
USPC **D13/101**

(58) **Field of Classification Search**
USPC D10/105, 106.2, 106.5, 106.6, 106.8,
D10/114.8; D13/101, 102, 103, 106, 107,
D13/108, 110, 116, 118, 123, 133, 134,
D13/135, 146, 147, 148, 149, 150, 151,
D13/153, 154, 155, 156, 159, 161, 173,
D13/184, 199; D15/138; D21/464;
D26/26, 85; D28/8

CPC H01R 12/718; H01R 12/88; H01R 12/89;
H01R 13/5205; H01R 13/5221; H01R
13/5816; H01R 13/582; H01R 13/5825;
H01R 13/5829; H01R 13/5833; H01R
13/6275; H01R 13/6589; H01R 13/743;

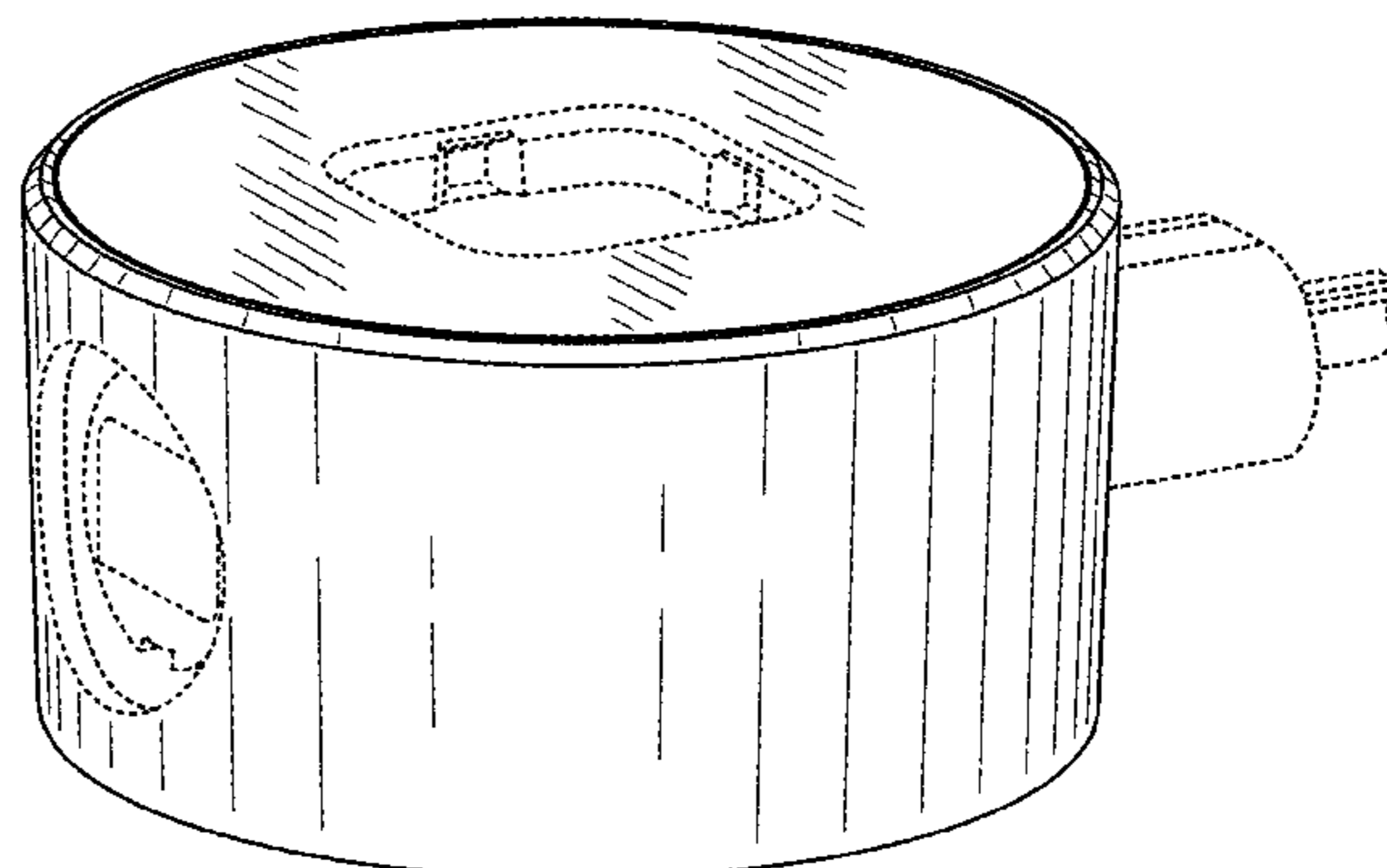
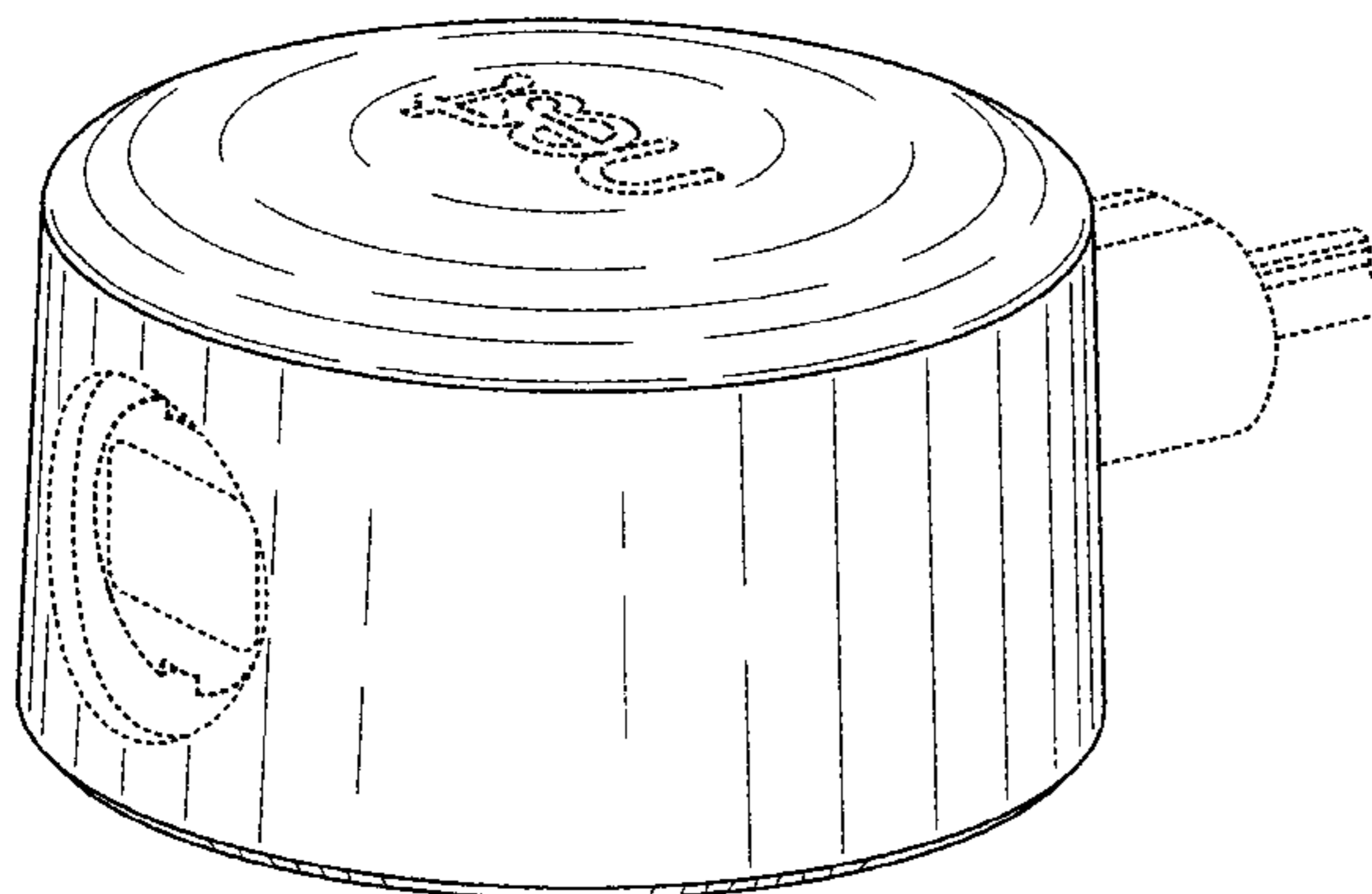
(57) **CLAIM**

We claim the ornamental design for an AC/DC adapter, as
shown and described.

DESCRIPTION

FIG. 1 is a top perspective view of our new design of an
AC/DC adapter;
FIG. 2 is a bottom perspective view thereof;
FIG. 3 is a top view thereof;
FIG. 4 is a bottom view thereof;
FIG. 5 is a side view thereof; and,
FIG. 6 is a front view thereof.

(Continued)



The broken lines in the above described FIGS. 1-6 depict environmental matter and form no part of the claimed design.

1 Claim, 6 Drawing Sheets

(56)

References Cited

U.S. PATENT DOCUMENTS

| | | | | |
|-----------|------|---------|--------------------|-------------|
| 4,439,643 | A | 3/1984 | Schweizer | |
| D296,013 | S | 5/1988 | Layne et al. | |
| 5,039,366 | A | 8/1991 | Strattman | |
| D349,714 | S | 8/1994 | Hasegawa | |
| 5,439,387 | A | 8/1995 | Hayashi | |
| 5,441,224 | A | 8/1995 | Ludwig | |
| 5,482,234 | A | 1/1996 | Lyon | |
| D390,482 | S | 2/1998 | Pasquarette | |
| D399,584 | S | 10/1998 | Giese et al. | |
| 6,007,136 | A | 12/1999 | Zittwitz et al. | |
| D427,696 | S | 7/2000 | Scott et al. | |
| D431,307 | S | 9/2000 | Zelina, Jr. et al. | |
| 6,176,142 | B1 | 1/2001 | Ericson | |
| 6,196,915 | B1 | 3/2001 | Schiedegger et al. | |
| D440,330 | S | 4/2001 | Scott et al. | |
| 6,234,277 | B1 | 5/2001 | Kaczmarek | |
| 6,732,983 | B1 | 5/2004 | Blake et al. | |
| D506,565 | S * | 6/2005 | Yurich | D26/85 |
| D509,842 | S | 9/2005 | Ou | |
| D528,576 | S | 9/2006 | Chung et al. | |
| 7,162,790 | B1 | 1/2007 | Daniels | |
| D537,784 | S | 3/2007 | Suckle et al. | |
| D554,171 | S | 10/2007 | Deng | |
| D593,071 | S | 5/2009 | Laituri et al. | |
| 7,641,161 | B2 | 1/2010 | Bauer | |
| D623,594 | S | 9/2010 | Akana et al. | |
| D640,721 | S | 6/2011 | Satine | |
| D644,259 | S | 8/2011 | Barley et al. | |
| D659,282 | S | 5/2012 | Richmond | |
| D659,497 | S | 5/2012 | Blazevic | |
| D662,122 | S | 6/2012 | Goodwin et al. | |
| D670,426 | S | 11/2012 | Bouroullec et al. | |
| D691,587 | S | 10/2013 | Ferber et al. | |
| D697,481 | S | 1/2014 | Akana et al. | |
| D700,075 | S * | 2/2014 | Bould | D10/49 |
| D708,378 | S | 6/2014 | Recker et al. | |
| D729,773 | S * | 5/2015 | Salojarvi | D14/218 |
| 9,024,581 | B2 | 5/2015 | McGinley | |
| D737,762 | S * | 9/2015 | Aumiller | D13/108 |
| D742,573 | S | 11/2015 | Kern et al. | |
| D743,468 | S | 11/2015 | Ribeiro et al. | |
| D743,954 | S * | 11/2015 | Chuang | D13/168 |
| 9,190,767 | B2 | 11/2015 | Makimura | |
| D747,524 | S | 1/2016 | Jacq et al. | |
| D750,980 | S * | 3/2016 | Takach | D10/50 |
| 9,300,078 | B2 | 3/2016 | Liu | |
| D754,233 | S | 4/2016 | Du et al. | |
| D757,587 | S * | 5/2016 | Li | D10/106.6 |
| 9,353,487 | B1 | 5/2016 | Szekely | |
| D761,343 | S | 7/2016 | Schmidt et al. | |
| 9,388,934 | B1 * | 7/2016 | Kilgore | H04N 5/2251 |
| D764,320 | S * | 8/2016 | Li | D10/50 |
| 9,437,962 | B2 | 9/2016 | Liu | |
| D768,604 | S | 10/2016 | Flowers et al. | |
| 9,515,414 | B1 | 12/2016 | Liu | |
| D776,850 | S | 1/2017 | Hodgson | |
| D777,672 | S | 1/2017 | Park et al. | |
| 9,556,641 | B2 | 1/2017 | Milanowski | |
| D778,973 | S | 2/2017 | Lee et al. | |
| D783,609 | S * | 4/2017 | Mikelson | D14/356 |
| D784,263 | S | 4/2017 | Xu | |
| D788,708 | S | 6/2017 | Vo et al. | |

| | | | |
|--------------|----|---------|-----------------------|
| D790,620 | S | 6/2017 | Lee et al. |
| D791,740 | S | 7/2017 | Fuller |
| D795,941 | S | 8/2017 | Dimitriadis et al. |
| 2004/0251392 | A1 | 12/2004 | Franks, Jr. |
| 2007/0184708 | A1 | 8/2007 | Murakami |
| 2008/0218092 | A1 | 9/2008 | Chang et al. |
| 2009/0061694 | A1 | 3/2009 | Kawasaki |
| 2009/0088010 | A1 | 4/2009 | Smith |
| 2010/0124834 | A1 | 5/2010 | De Chazal et al. |
| 2011/0053394 | A1 | 3/2011 | Hood, III |
| 2011/0181002 | A1 | 7/2011 | Fujita et al. |
| 2012/0162929 | A1 | 6/2012 | Huang |
| 2013/0023161 | A9 | 1/2013 | Youssefi-Shams et al. |
| 2013/0130530 | A1 | 5/2013 | Casses et al. |
| 2013/0203277 | A1 | 8/2013 | Gaubert |
| 2014/0073161 | A1 | 3/2014 | Winningham et al. |
| 2014/0099811 | A1 | 4/2014 | Chiu |
| 2015/0281650 | A1 | 10/2015 | Mohan |

FOREIGN PATENT DOCUMENTS

| | | |
|----|---------------|--------|
| KR | 3009038650000 | 4/2017 |
| KR | 3009052050000 | 4/2017 |

OTHER PUBLICATIONS

Nest Cam Indoor security camera, posted at Amazon.com, posted on Jun. 17, 2015, [online], [site visited Jun. 16, 2017]. Available from Internet, <<https://www.amazon.com/Nest-Cam-Indoor-security-camera/dp/B00WBJGUA2>>.*

Simplicam review, posted at Connectedly.com, posted on Nov. 26, 2014, [online], [site visited Jun. 16, 2017]. Available from Internet, <<https://www.connectedly.com/simplicam-review>>.*

Review of the googo camera HD, posted at Youtube.com, posted on Jun. 9, 2013, [online], [site visited Jun. 16, 2017]. Available from Internet, <<https://www.youtube.com/watch?v=RIc8Q6oDI9k>>.*

Google, EU Design Registration, 003303460-0001/0002, dated Oct. 14, 2016, 14 pgs.

Google, EU Design Registration, 003304310-0001/0002, dated Oct. 14, 2016, 16 pgs.

Google, EU Design Registration, 003304310-0001/0008, dated Oct. 20, 2016, 37 pgs.

Google, Office Action, CN 201630316676.1, dated Nov. 25, 2016, 2 pgs.

Google, Office Action, CN 201630316605.1, dated Nov. 24, 2016, 1 pg.

DropCapsule Pro for Dropcam Pro, announced Jun. 7, 2015 [online], [site visited Sep. 29, 2017], Available from Internet, URL: <<https://web.archive.org/web/20150607115212/http://www.connectedcrib.com/dropcapsule-pro-dropcam-pro/>>.

DIY Project Dropcam Pro outdoor enclosure, announced Oct. 20, 2014 [online], [site visited Sep. 29, 2017], Available from Internet, URL: <https://the-gadgeteer.com/2014/10/20/diy-project-dropcam-pro-outdoor-enclosure/>.

Nest Learning Thermostat posted by Detriot Borg posted date Feb. 10, 2012, © YouTube, [online], [site visited Sep. 18, 2017]. Available from Internet, <https://www.youtube.com/watch?v=KrgcOL4oLzc>.

Nest Learning Review posted by Lindsay Turrentine posted date Apr. 23, 2013, © CNET, [online], [site visited Sep. 18, 2017]. Available from Internet, <https://www.cnet.com/products/nest-learning-thermostat/review/>.

HMW posted by Heres My World posted date Oct. 28, 2016, © Amazon, [online], [site visited Sep. 18, 2017]. Available from Internet, https://www.amazon.com/Pyramid-Bluetooth-Rechargeable-Hands-Free-Speakerphone/dp/B01JJ5KT3E/ref=sr_1_19?ie=UTF8&rd=1505758713&sr=8-19&keywords=bluetooth%20Bpuck&th=1.

* cited by examiner

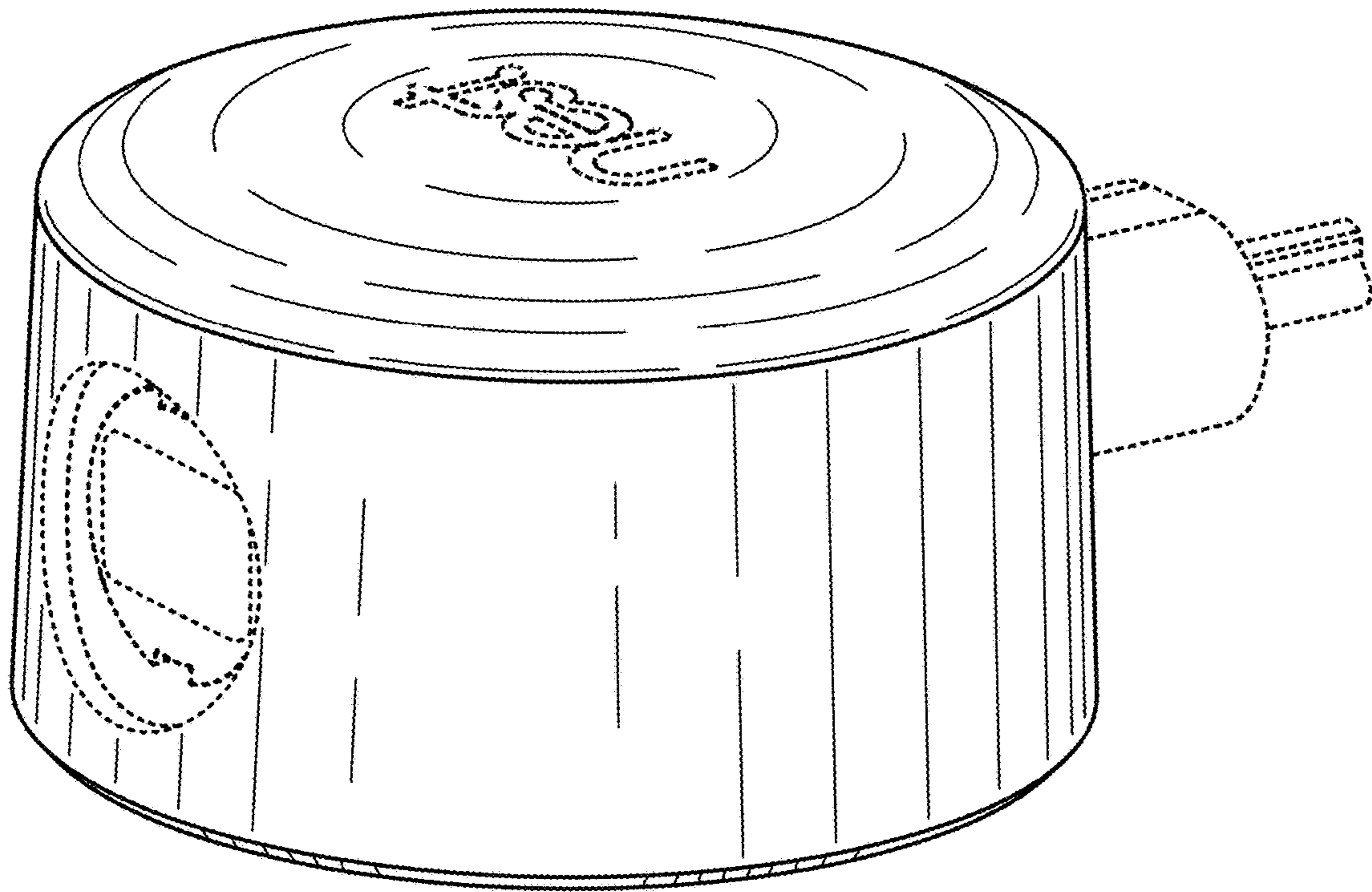


FIG. 1

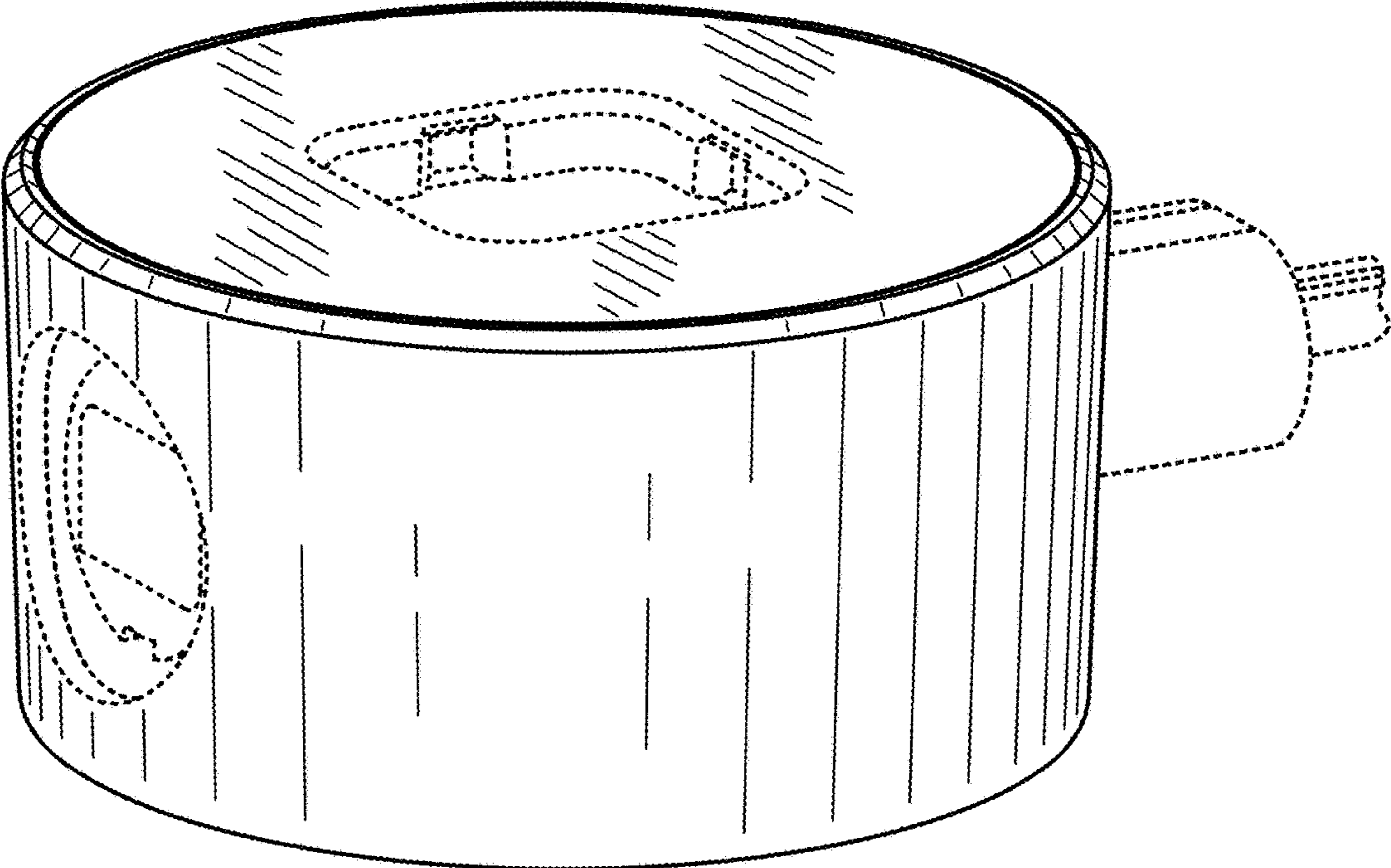


FIG. 2

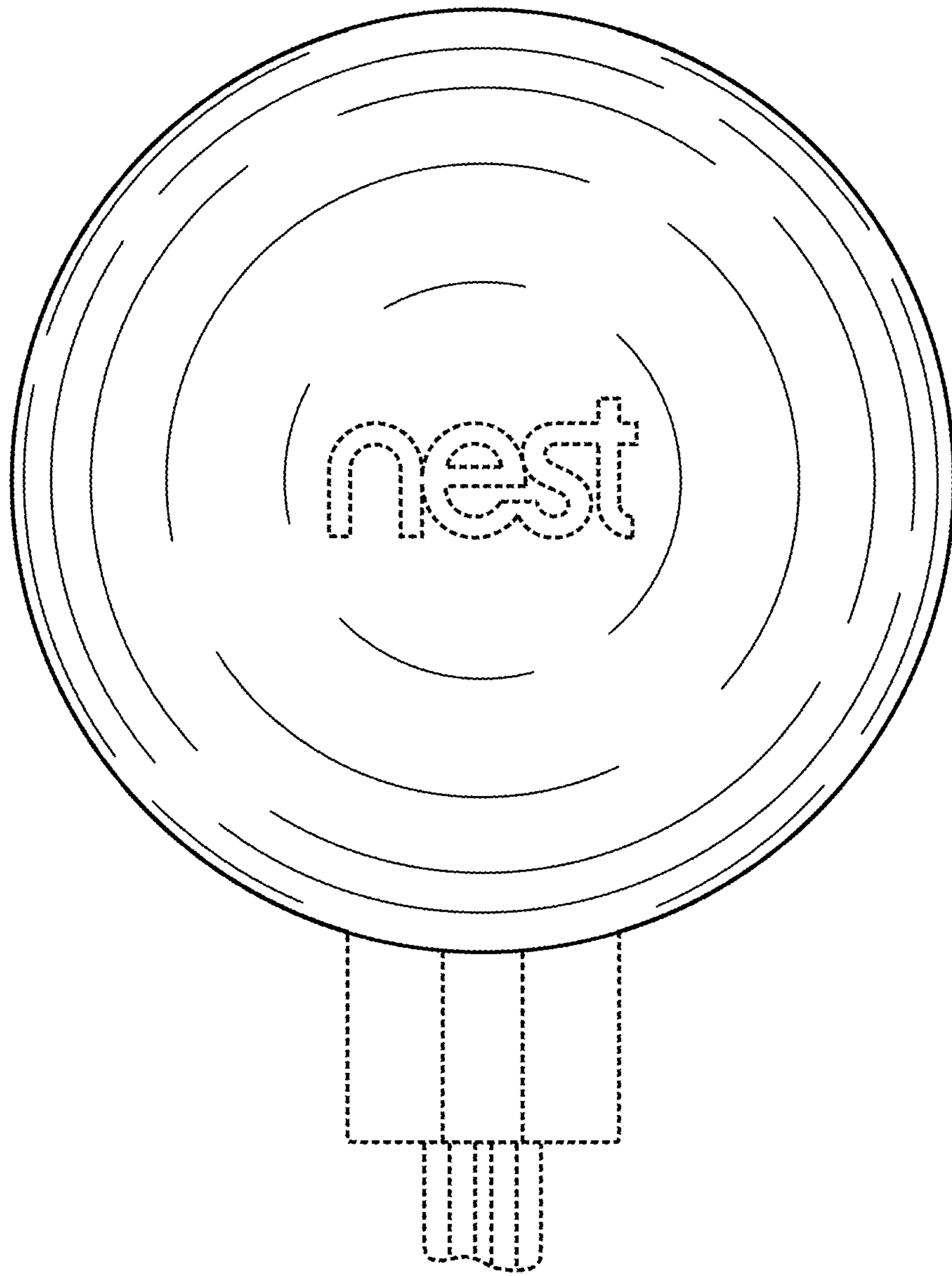


FIG. 3

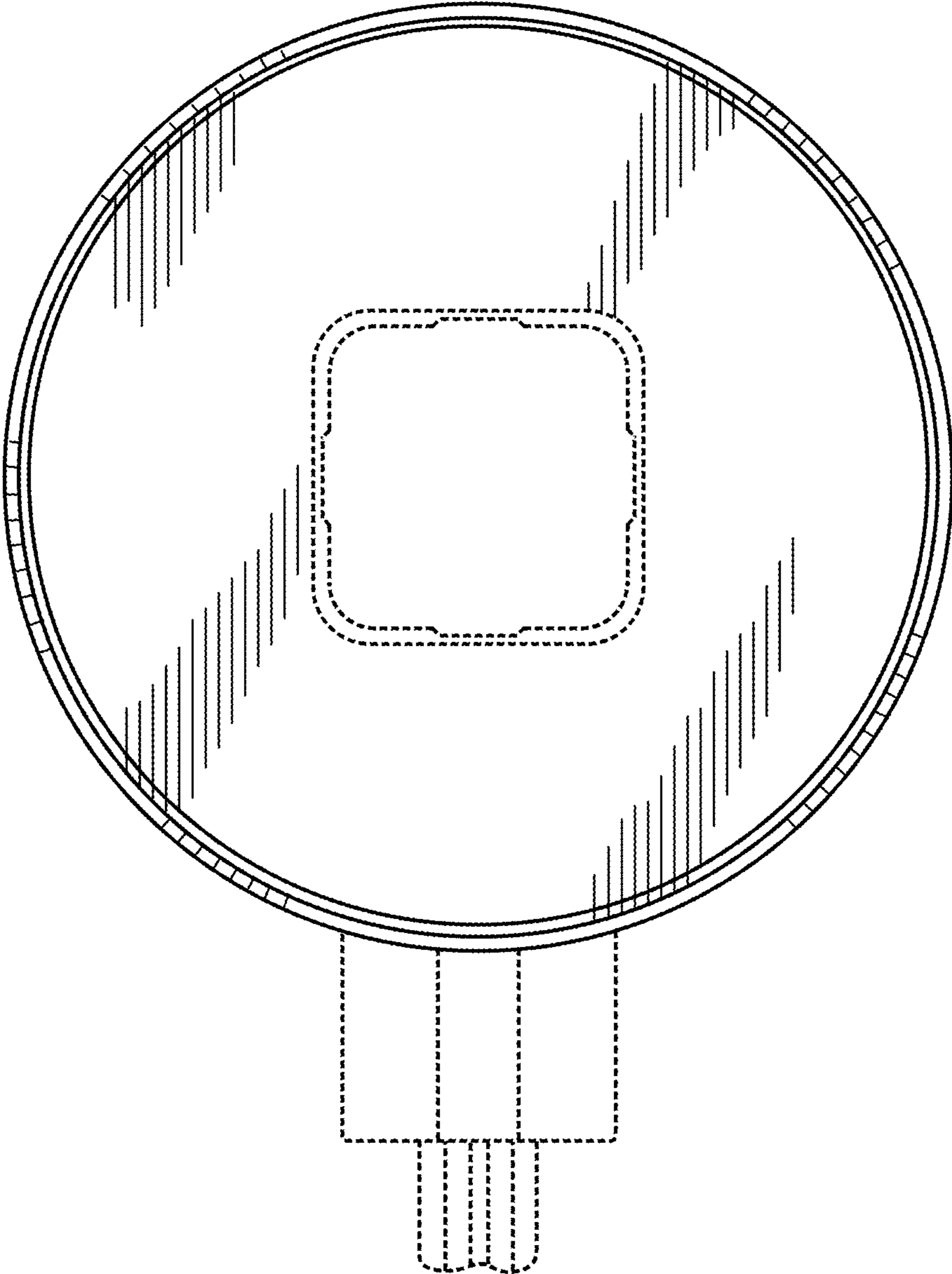


FIG. 4

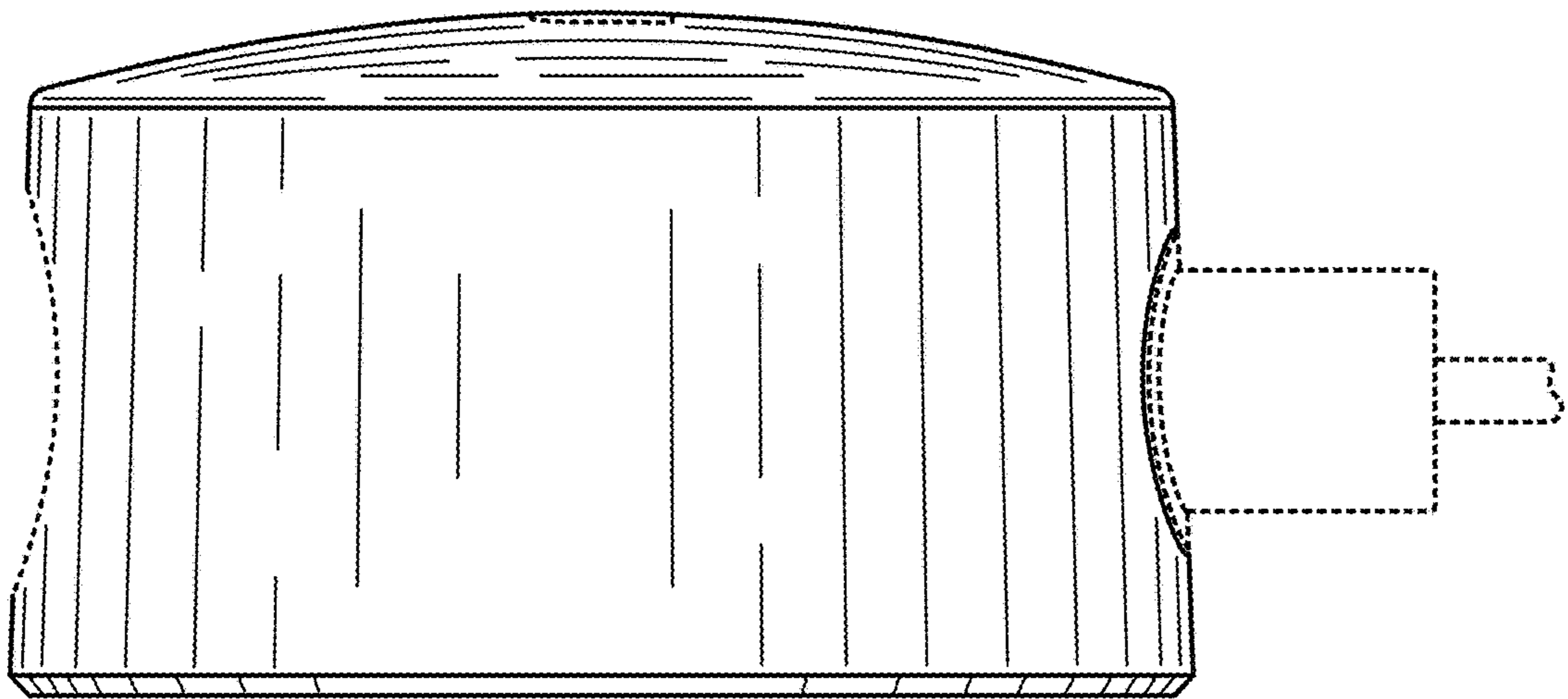


FIG. 5

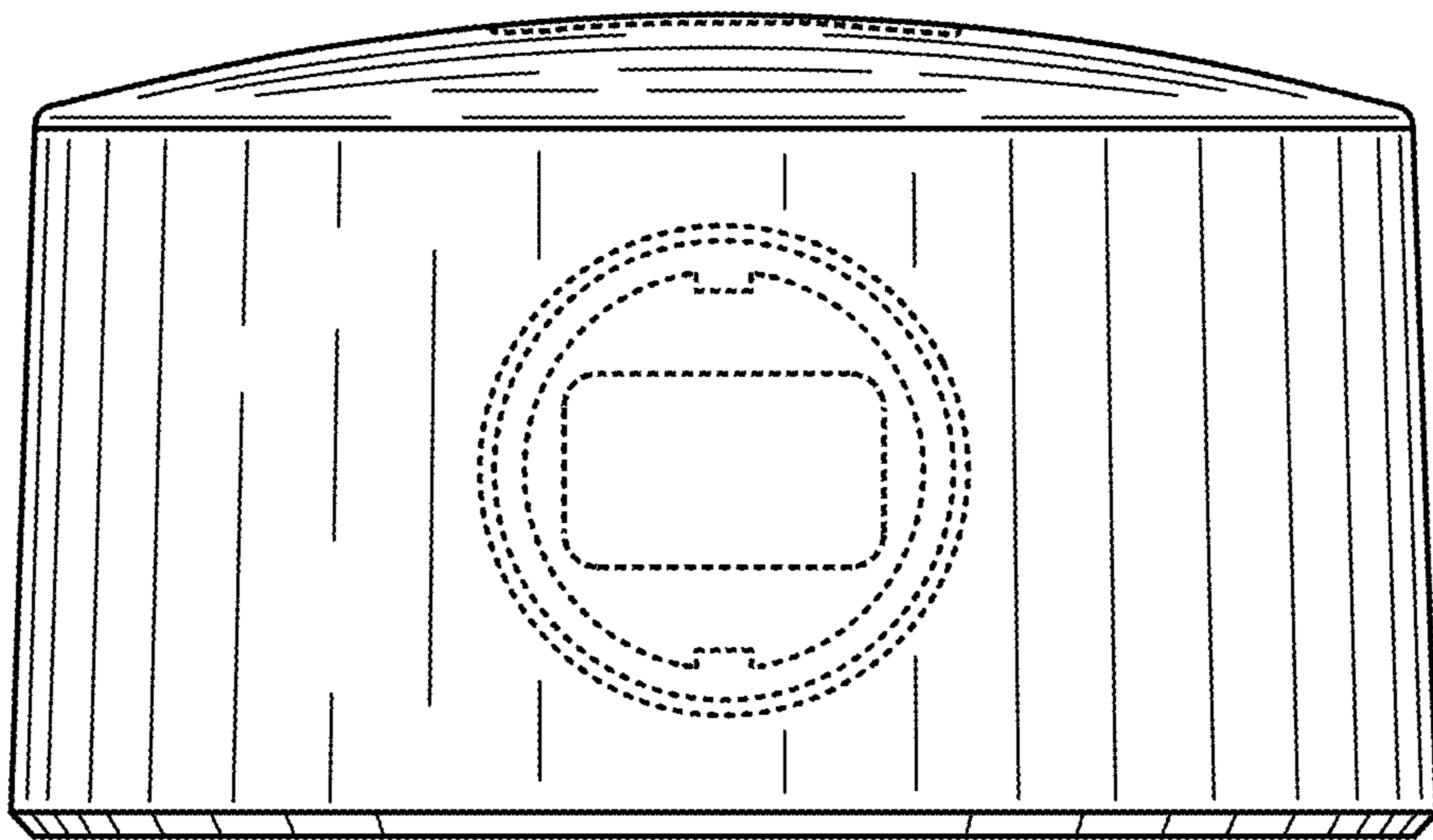


FIG. 6