



US00D806639S

(12) **United States Design Patent** (10) **Patent No.:** **US D806,639 S**
Eriksson et al. (45) **Date of Patent:** **** Jan. 2, 2018**

(54) **CARGO BOX**
(71) Applicant: **Thule Sweden AB**, Hillerstorp (SE)
(72) Inventors: **Henrik Eriksson**, Jönköping (SE); **Jan Adler**, Skillingaryd (SE); **Fredrik Fransson**, Värnamo (SE)
(73) Assignee: **Thule Sweden AB**, Hillerstorp (SE)
(**) Term: **15 Years**
(21) Appl. No.: **29/600,604**
(22) Filed: **Apr. 13, 2017**

D714,211 S 9/2014 Berrey
D717,719 S 11/2014 Sagen
8,905,279 B2 12/2014 Hubbard et al.
D722,006 S 2/2015 Settelmayer et al.
D724,520 S * 3/2015 Gruner D12/413
D726,638 S 4/2015 Rupp et al.
D739,336 S 9/2015 Berrey
D746,217 S 12/2015 Gruner
9,290,131 B2 3/2016 Sautter et al.
D773,378 S * 12/2016 Sagen D12/413
D773,379 S * 12/2016 Toyoshima D12/413
D774,442 S 12/2016 Adler et al.
D786,771 S * 5/2017 Eriksson D12/413
2012/0111910 A1 5/2012 Sautter et al.

* cited by examiner

Primary Examiner — Katrina A Betton
(74) *Attorney, Agent, or Firm* — Sterne, Kessler, Goldstein & Fox P.L.L.C.

Related U.S. Application Data

(63) Continuation of application No. 29/558,286, filed on Mar. 16, 2016, now Pat. No. Des. 786,771.
(51) **LOC (11) Cl.** **12-16**
(52) **U.S. Cl.**
USPC **D12/413**
(58) **Field of Classification Search**
USPC D12/406–414; D32/35, 58; D6/317, D6/319, 513–514
CPC B62J 9/003; B62J 7/06; B62J 9/001
See application file for complete search history.

(57) **CLAIM**

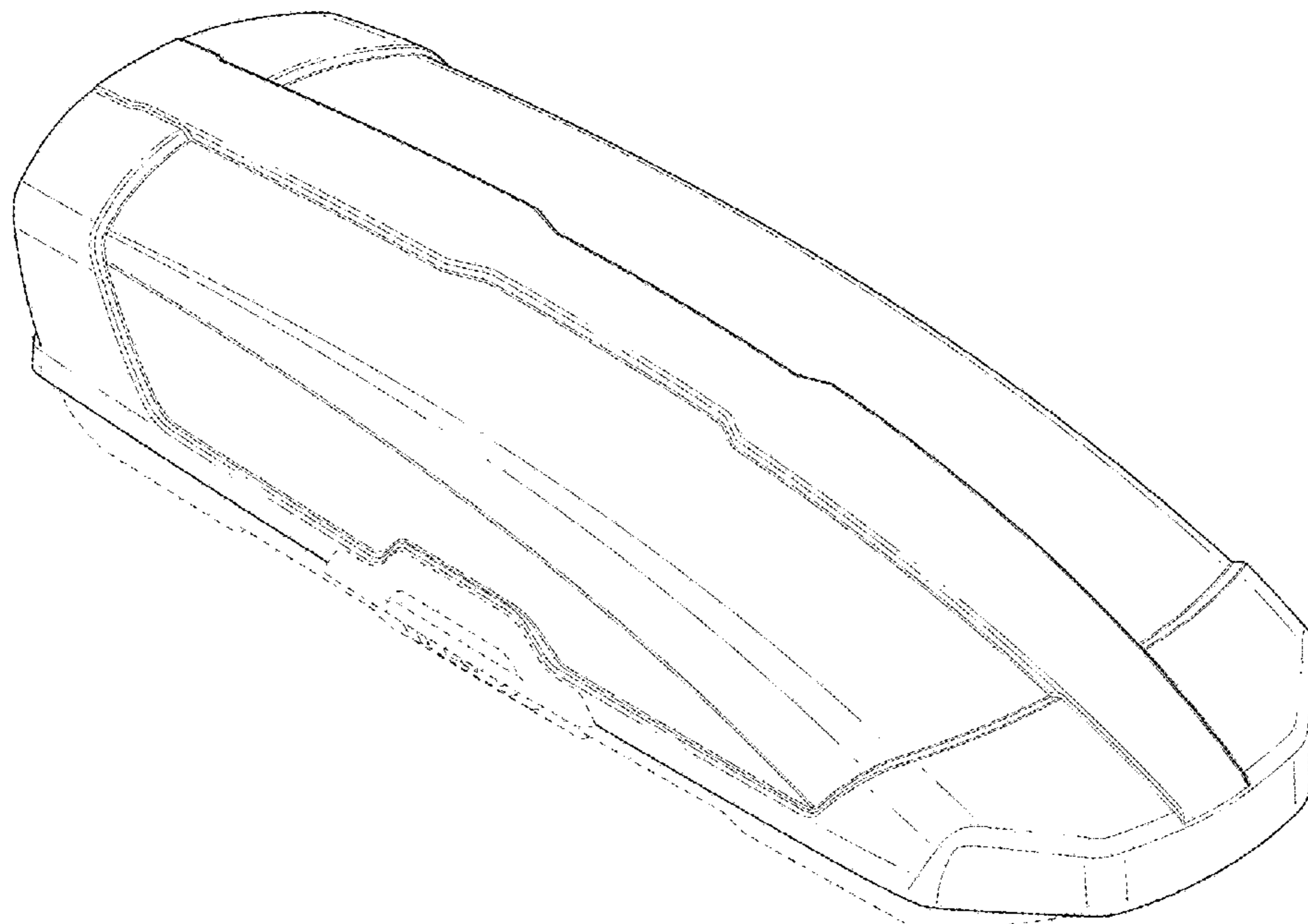
The ornamental design for a cargo box, as shown and described.

DESCRIPTION

FIG. 1 is a top front perspective view of a cargo box showing the claimed design;
FIG. 2 is a bottom front perspective view thereof;
FIG. 3 is a front view thereof;
FIG. 4 is a rear view thereof;
FIG. 5 is a left side view thereof;
FIG. 6 is a right side view thereof;
FIG. 7 is a top view thereof; and,
FIG. 8 is a bottom view thereof.
The broken lines in the figures show portions of the cargo box that form no part of the claimed design.

1 Claim, 6 Drawing Sheets

(56) **References Cited**
U.S. PATENT DOCUMENTS
D593,928 S 6/2009 Gruner
D626,495 S 11/2010 Kojoh
D628,142 S 11/2010 Farber
D630,157 S 1/2011 Farber
D642,970 S 8/2011 Elder et al.
D643,798 S 8/2011 Gruner
D656,082 S 3/2012 Gruner



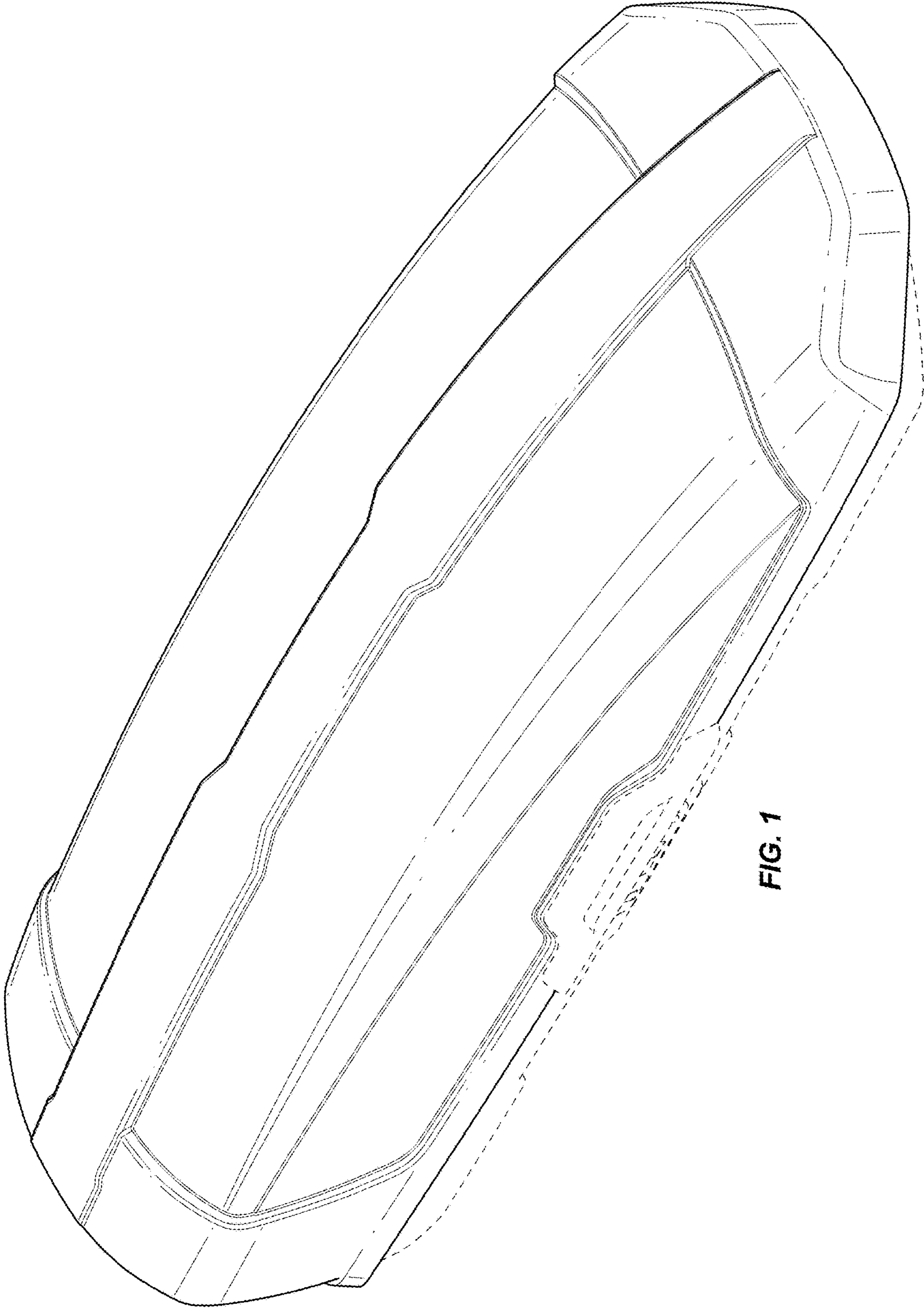


FIG. 1

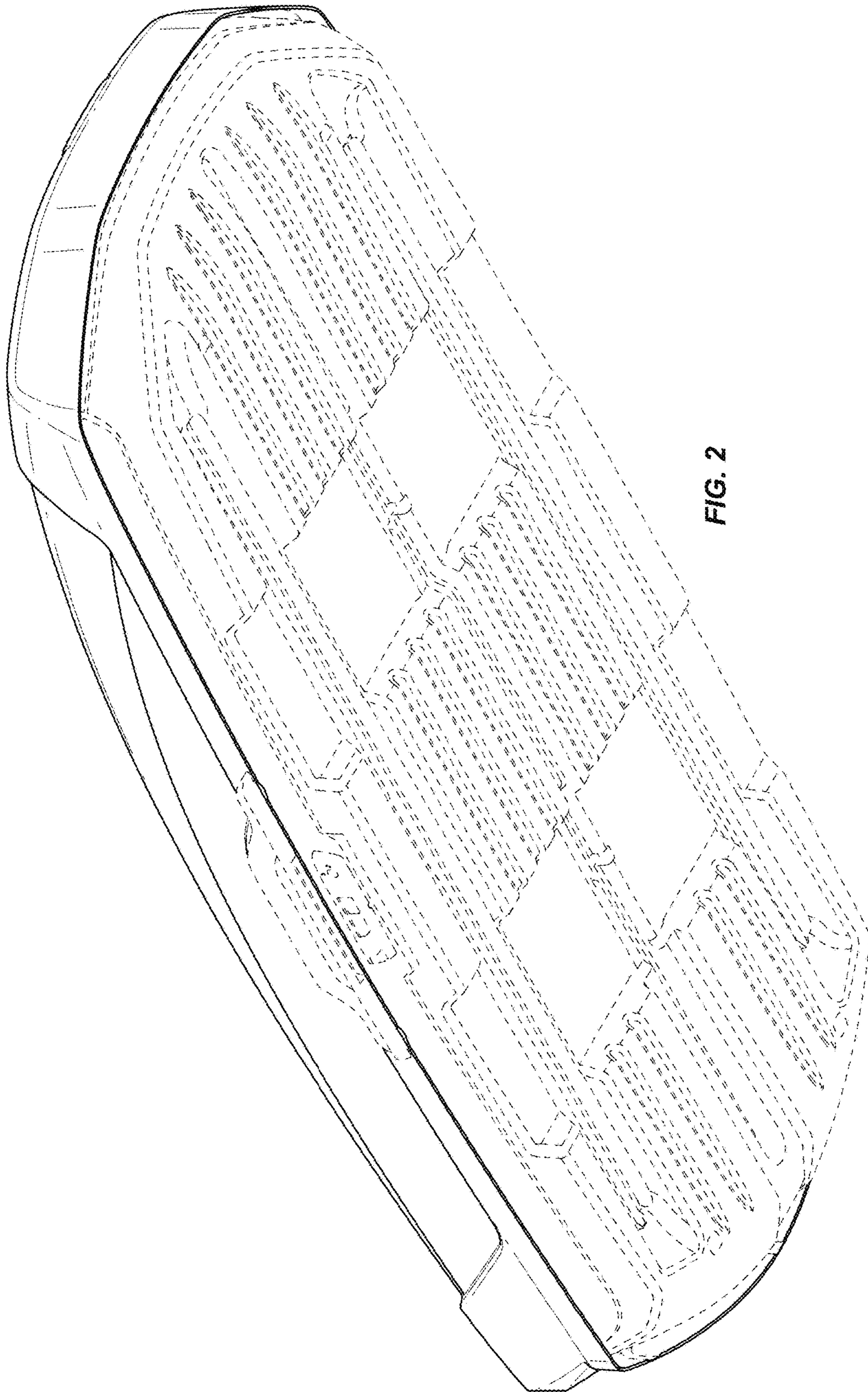


FIG. 2

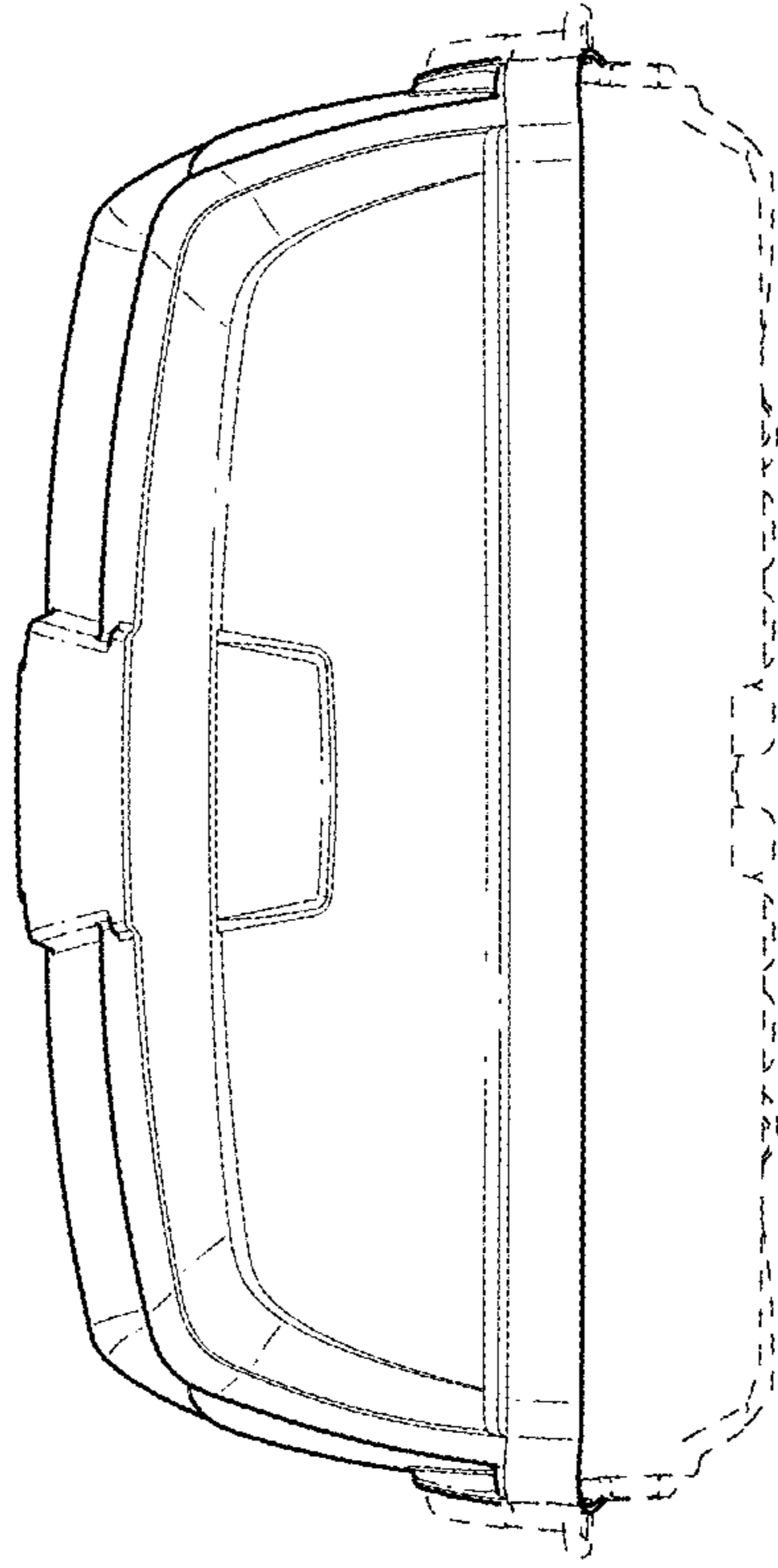


FIG. 4

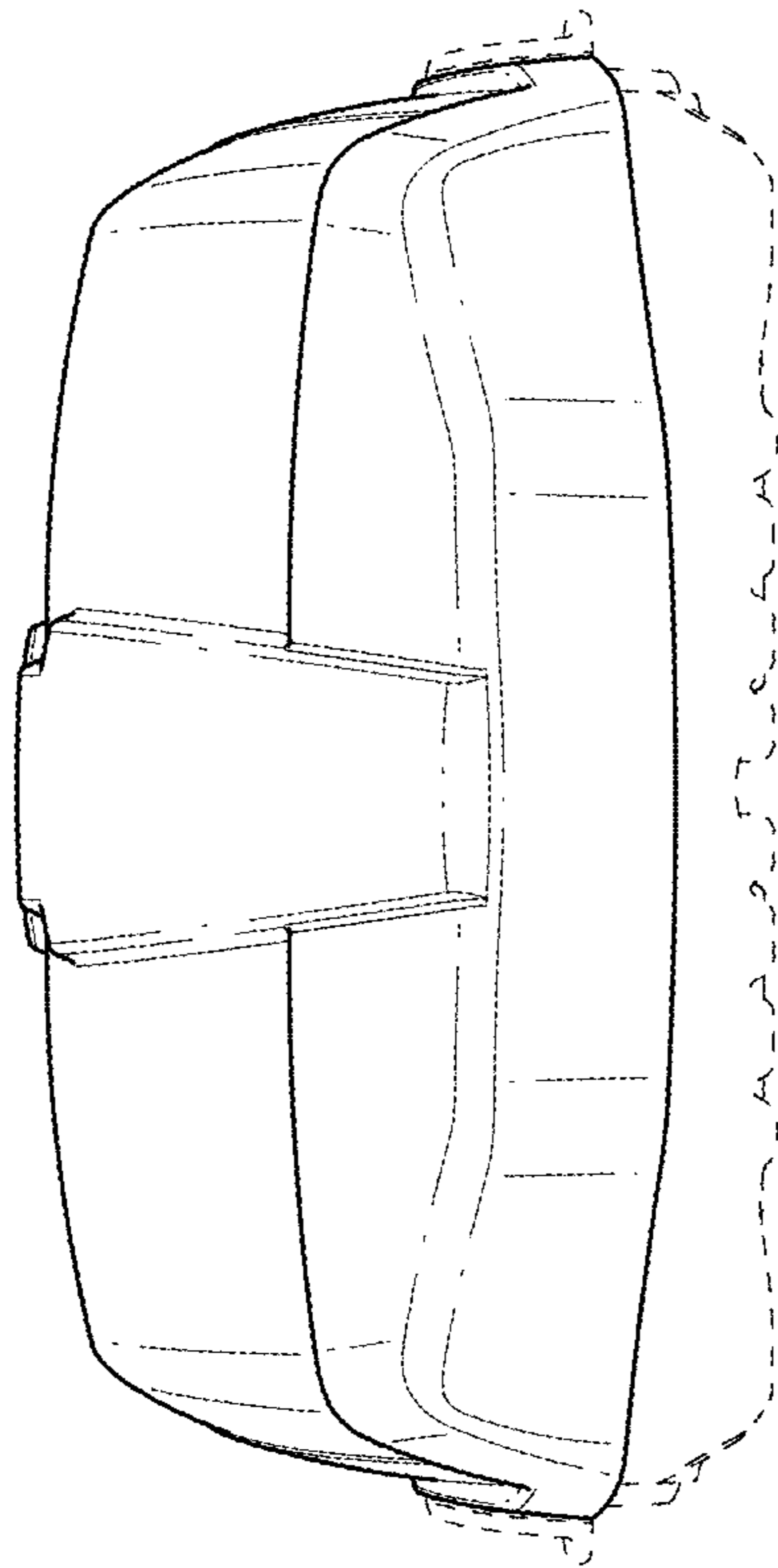


FIG. 3

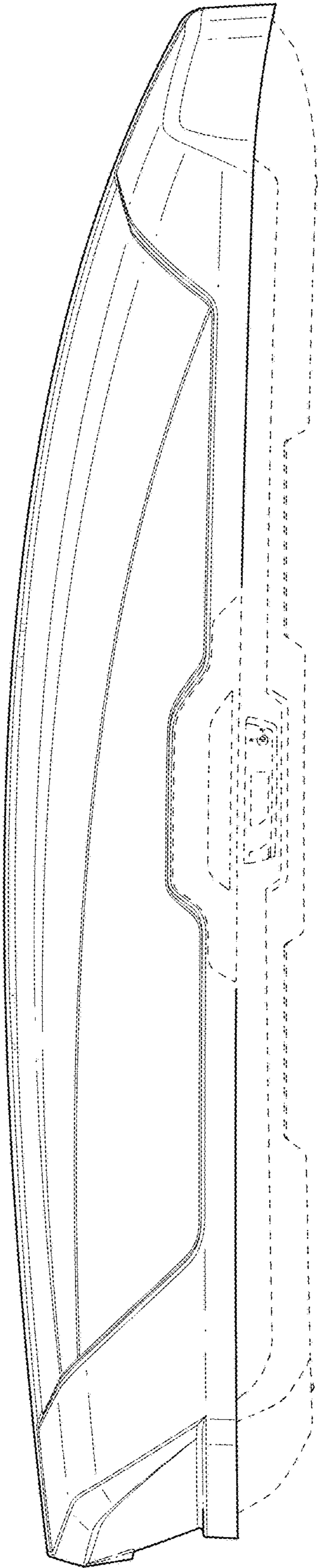


FIG. 5

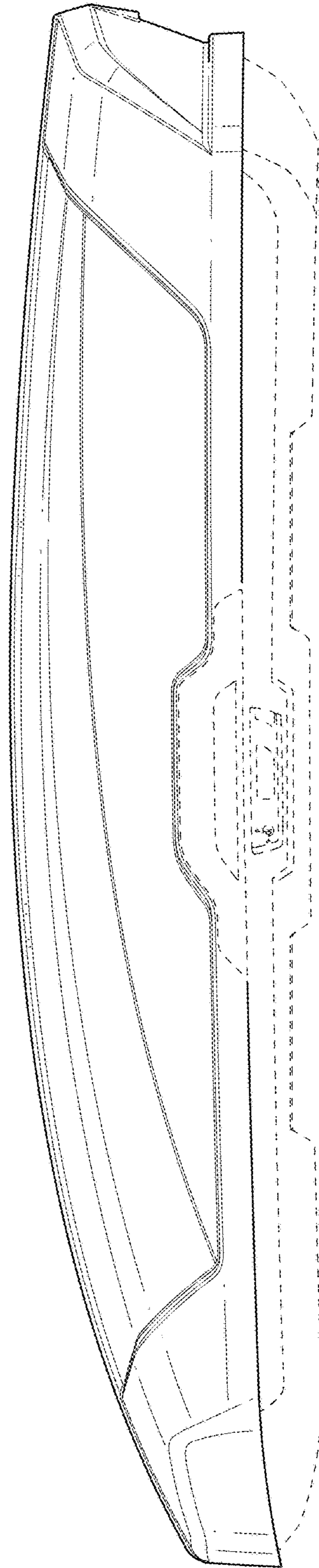


FIG. 6

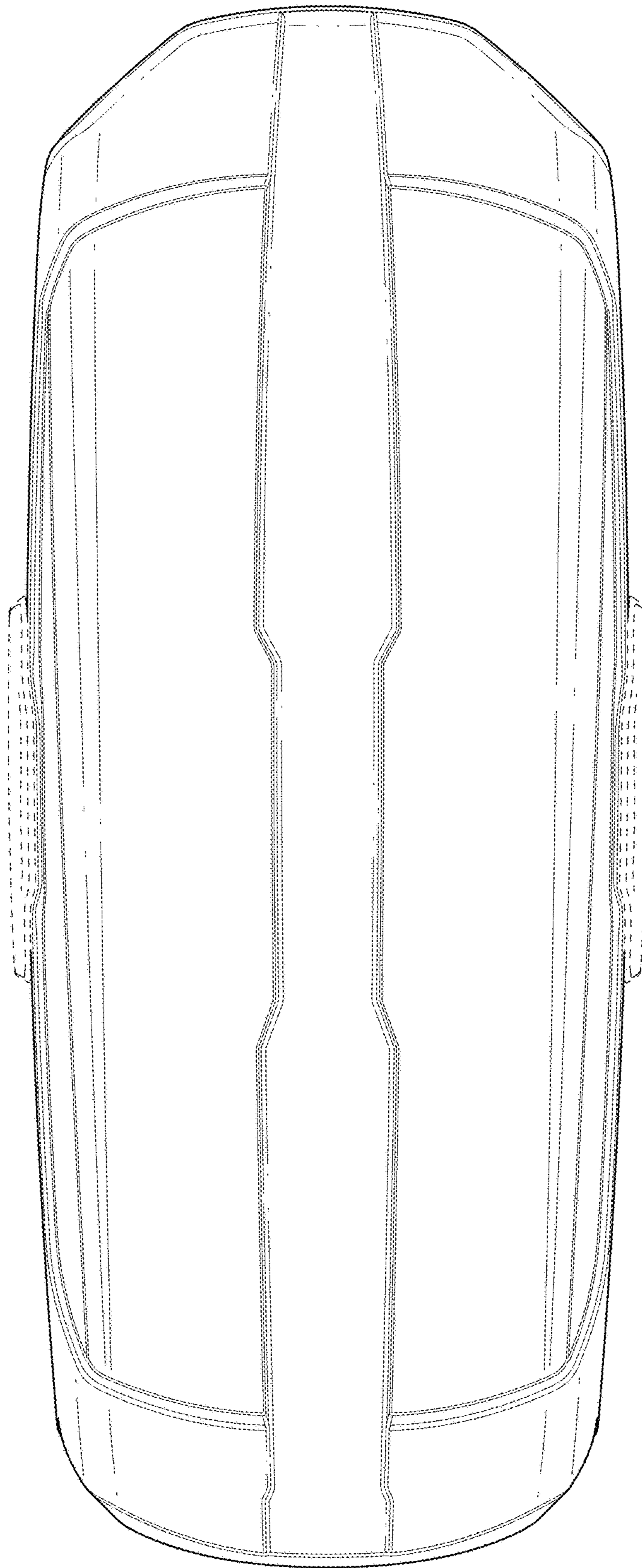


FIG. 7

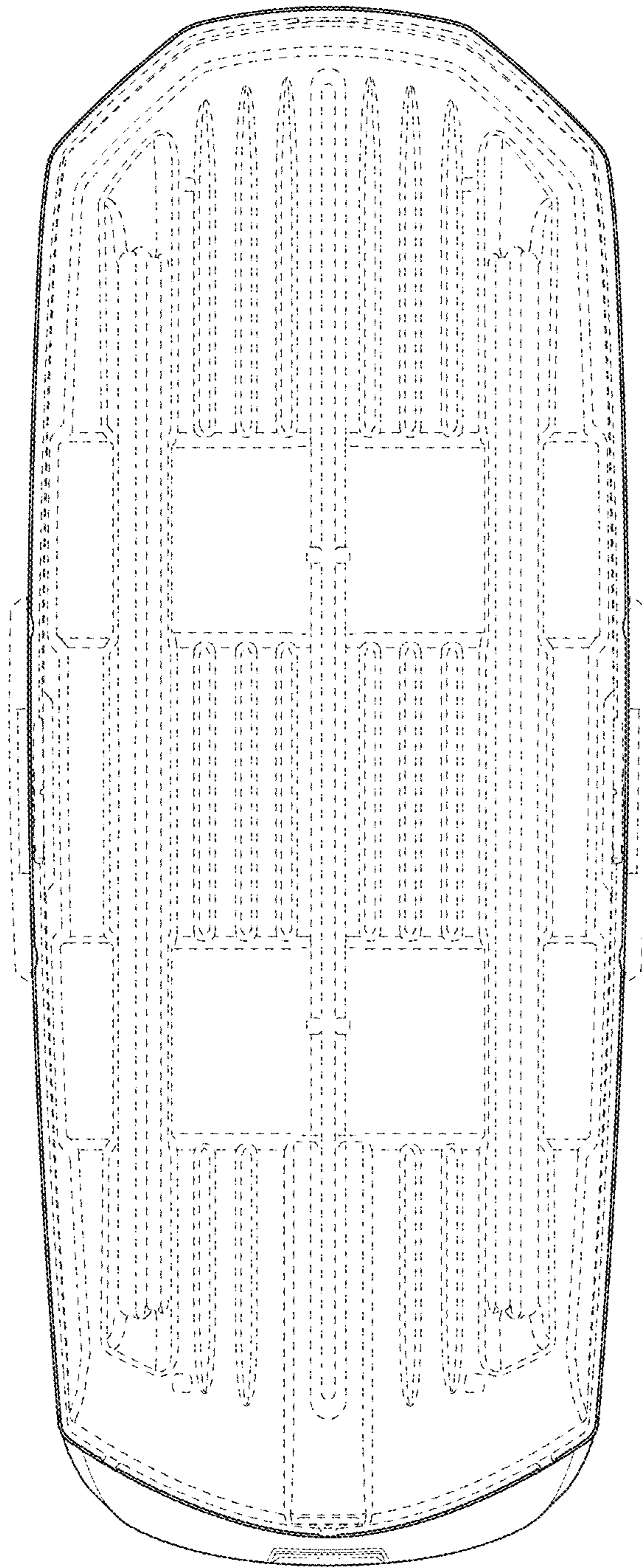


FIG. 8