



US00D806635S

(12) **United States Design Patent**
Zhou

(10) **Patent No.:** **US D806,635 S**
(45) **Date of Patent:** **** Jan. 2, 2018**

(54) **AMPHIBIOUS UNMANNED VERTICAL TAKEOFF AND LANDING PERSONAL FLYING SUIT**

(71) Applicant: **Dylan T X Zhou**, Tiburon, CA (US)

(72) Inventor: **Dylan T X Zhou**, Tiburon, CA (US)

(**) Term: **15 Years**

(21) Appl. No.: **29/577,357**

(22) Filed: **Sep. 12, 2016**

Related U.S. Application Data

(63) Continuation-in-part of application No. 29/572,722, filed on Jul. 29, 2016, and a continuation-in-part of (Continued)

(51) **LOC (11) Cl.** **12-07**

(52) **U.S. Cl.**
USPC **D12/326; D21/582; D21/576; D12/16.1**

(58) **Field of Classification Search**
USPC **D12/16.1, 319, 323-345, 82, 88, 90, 91, D12/3, 4, 2; D21/436, 438, 439, 440,**
(Continued)

(56) **References Cited**

U.S. PATENT DOCUMENTS

D88,107 S * 10/1932 Fike 296/181.5
D95,247 S * 4/1935 Grummer D12/91
(Continued)

Primary Examiner — Robert M. Spear
Assistant Examiner — Marissa J Cash
(74) *Attorney, Agent, or Firm* — Steven A. Nielsen;
www.NielsenPatents.com

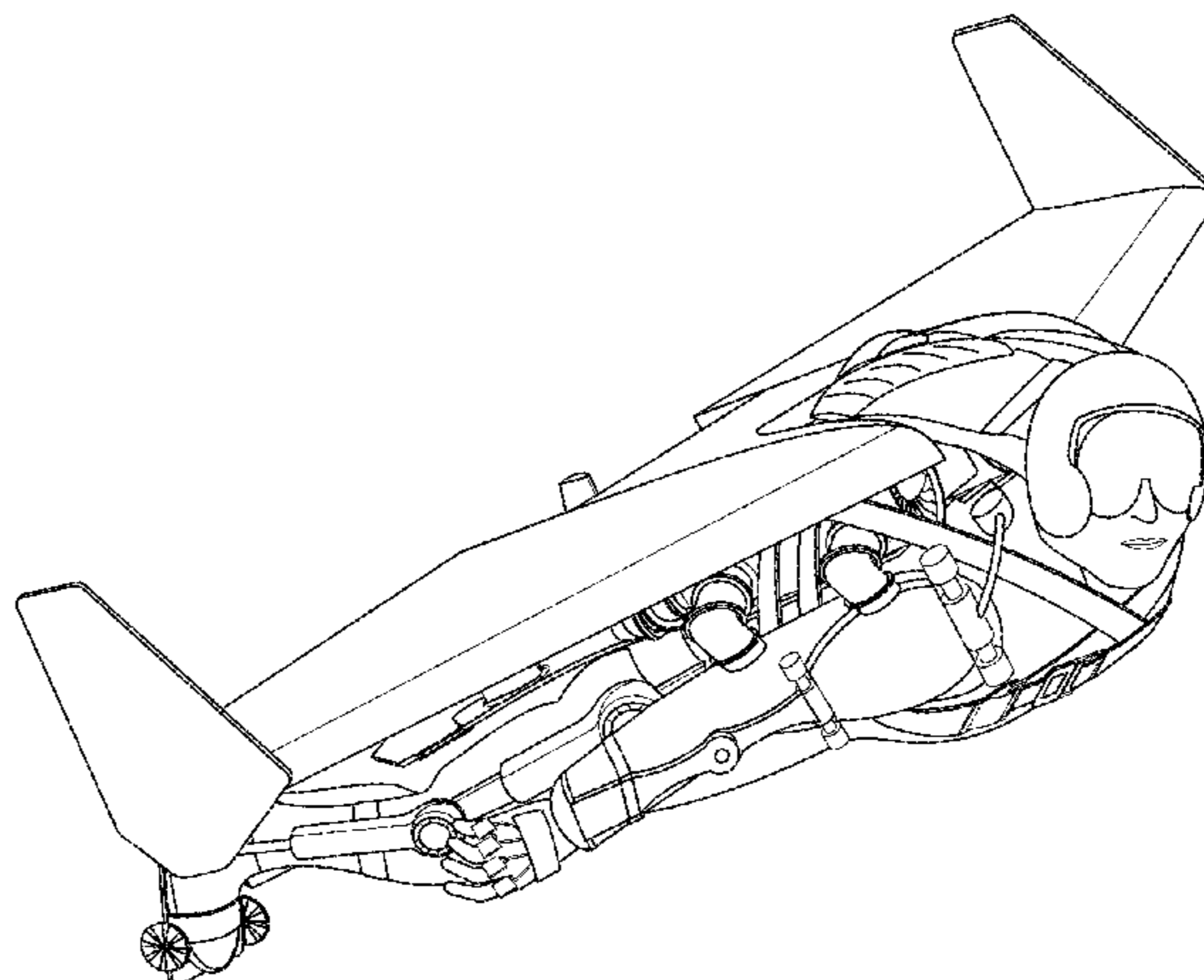
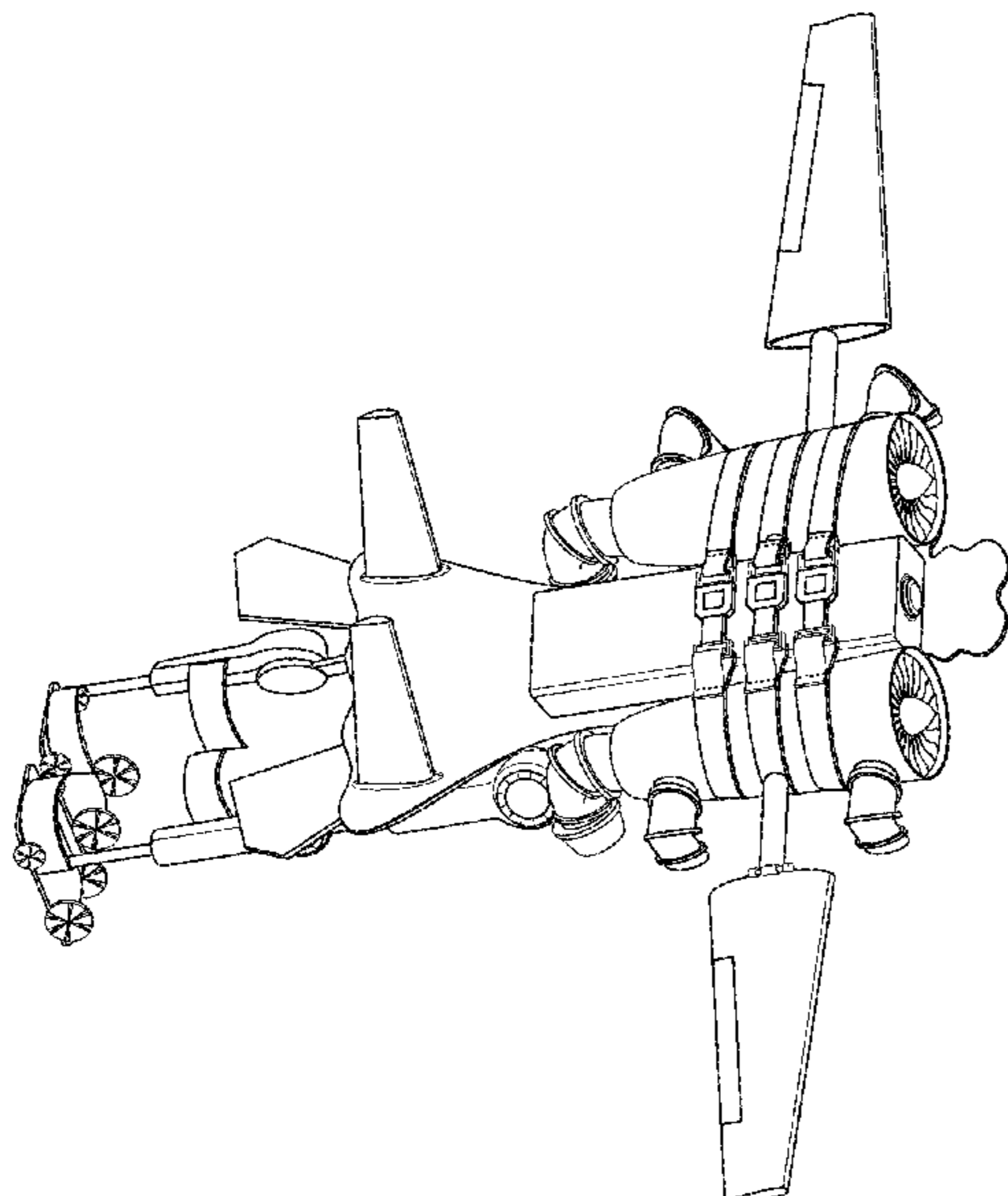
(57) **CLAIM**

We claim the ornamental design for an amphibious unmanned vertical takeoff and landing personal flying suit, as shown and described.

DESCRIPTION

FIG. 1 is a top perspective view of an amphibious unmanned vertical takeoff and landing personal flying suit shown with exoskeleton flying suit removed for clarity of disclosure; FIG. 2 is a top perspective view thereof, shown in an alternate configuration of use, with wings extended; FIG. 3 is a front view thereof; FIG. 4 is a back view thereof; FIG. 5 is a right side view thereof; FIG. 6 is a left side view thereof; FIG. 7 is a top view thereof; FIG. 8 is a bottom view thereof; FIG. 9 is a top rear perspective view of an amphibious unmanned vertical takeoff and landing personal flying suit with wings in an alternate configuration of use; FIG. 10 is a top rear perspective view thereof, shown with wings extended; FIG. 11 is a front view thereof; FIG. 12 is a back view thereof; FIG. 13 is a right side view thereof; FIG. 14 is a left side view thereof; FIG. 15 is top view thereof; FIG. 16 is a bottom view thereof; FIG. 17 is a bottom perspective view of an amphibious unmanned vertical takeoff and landing personal flying suit shown in an alternate configuration of use, with parachutes deployed; FIG. 18 is a top side perspective view thereof with payload wings deployed; FIG. 19 is a back perspective view thereof with wings in folded configuration of use; and, FIG. 20 is a perspective view thereof, shown in an alternate configuration of use with wings and engine nozzles deployed, shown in an environment of use. The broken lines in the drawings represent unclaimed environmental subject matter and form no part of the claim.

1 Claim, 20 Drawing Sheets



Related U.S. Application Data

application No. 29/567,712, filed on Jun. 10, 2016, and a continuation-in-part of application No. 14/940,379, filed on Nov. 13, 2015, now Pat. No. 9,493,235, which is a continuation-in-part of application No. 14/034,509, filed on Sep. 23, 2013, now Pat. No. 9,510,277.

(58) **Field of Classification Search**

USPC D21/441, 447, 448, 449, 450, 452, 453, D21/454, 455, 424, 533, 833, 578, 579, D21/581, 582

CPC B64C 1/062; B64C 39/024; B64C 27/08
See application file for complete search history.

(56) **References Cited**

U.S. PATENT DOCUMENTS

D99,156 S * 3/1936 Covey D12/91
D100,186 S * 6/1936 Fitzmaurice D12/91
2,156,288 A * 5/1939 Holliday B64C 37/00
180/7.4
D139,636 S * 12/1944 Walker 296/181.5
2,562,491 A * 7/1951 Hall B64C 37/00
244/2
2,562,492 A * 7/1951 Hall B64C 37/00
200/43.08
2,619,184 A * 11/1952 Hall B64C 37/00
180/54.1
D279,804 S * 7/1985 Ohno D21/582
D287,378 S * 12/1986 Ohno D21/580
D290,480 S * 6/1987 Maruyama D21/582
D293,803 S * 1/1988 Doi D21/582
D293,804 S * 1/1988 Doi D21/582
D293,805 S * 1/1988 Matsumoto D21/582
D293,806 S * 1/1988 Shibukawa D21/582
D294,045 S * 2/1988 Matsumoto D21/582
D294,047 S * 2/1988 Matsumoto D21/582
D294,048 S * 2/1988 Matsumoto D21/582
D294,049 S * 2/1988 Ohno D21/582
D294,055 S * 2/1988 Shibukawa D21/578
D301,355 S * 5/1989 Doi D21/581
D301,358 S * 5/1989 Kunihiro D21/582
D301,727 S * 6/1989 Brune D21/578
D301,901 S * 6/1989 Doi D21/581
D302,033 S * 7/1989 Shubukawa D21/582
D302,448 S * 7/1989 Shinohara D21/582

D302,449 S * 7/1989 Ishizawa D21/582
D303,409 S * 9/1989 Shinohara D21/581
5,915,649 A * 6/1999 Head B64C 37/00
244/17.17
D424,981 S * 5/2000 Cook D12/91
6,086,014 A * 7/2000 Bragg, Jr. B60F 5/02
244/2
D545,925 S * 7/2007 Milner D21/533
D547,238 S * 7/2007 Milner D12/88
D610,950 S * 3/2010 Helfet D12/91
7,938,358 B2 * 5/2011 Dietrich B64C 37/00
244/2
8,152,096 B2 * 4/2012 Smith B64C 29/0033
244/12.4
D684,503 S * 6/2013 Cook D12/92
D689,566 S * 9/2013 Wong D15/199
8,720,814 B2 * 5/2014 Smith B64C 29/0033
244/12.4
D715,382 S * 10/2014 Ito A63H 3/00
D21/578
8,973,861 B2 * 3/2015 Zhou A63H 27/12
244/17.23
D736,140 S * 8/2015 Moller D12/326
9,099,902 B2 * 8/2015 Chen H02K 5/225
9,139,299 B2 * 9/2015 Lundgren B64C 37/00
D774,148 S * 12/2016 Hong D21/578
D779,597 S * 2/2017 Liu D21/578
2003/0094536 A1 * 5/2003 LaBiche B60F 5/02
244/2
2004/0245374 A1 * 12/2004 Morgan B64C 29/0025
244/12.3
2008/0142643 A1 * 6/2008 Yoeli B60V 1/06
244/23 R
2010/0294877 A1 * 11/2010 Jianu B64C 29/0025
244/2
2013/0112804 A1 * 5/2013 Zhu B64C 29/0025
244/2
2015/0028150 A1 * 1/2015 Klein B64C 3/385
244/2
2015/0102155 A1 * 4/2015 Krastev B60K 16/00
244/2
2015/0314867 A1 * 11/2015 Razroev B64C 29/0033
244/119
2016/0001879 A1 * 1/2016 Johannesson B64C 27/50
416/142
2016/0243910 A1 * 8/2016 Hu B60F 5/02
2016/0272314 A1 * 9/2016 Radu B64C 37/00
2017/0072755 A1 * 3/2017 Zhou B60F 5/02

* cited by examiner

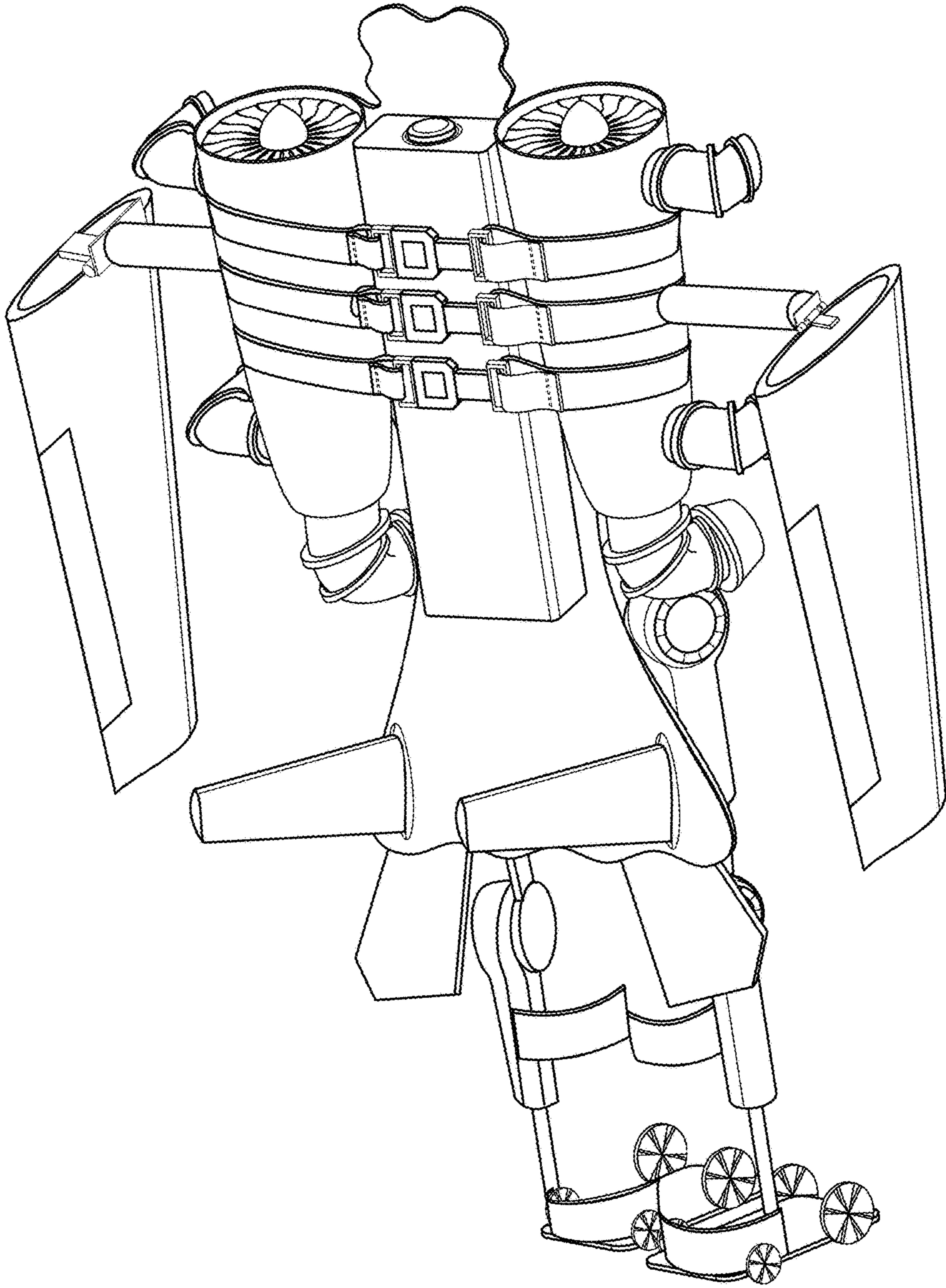
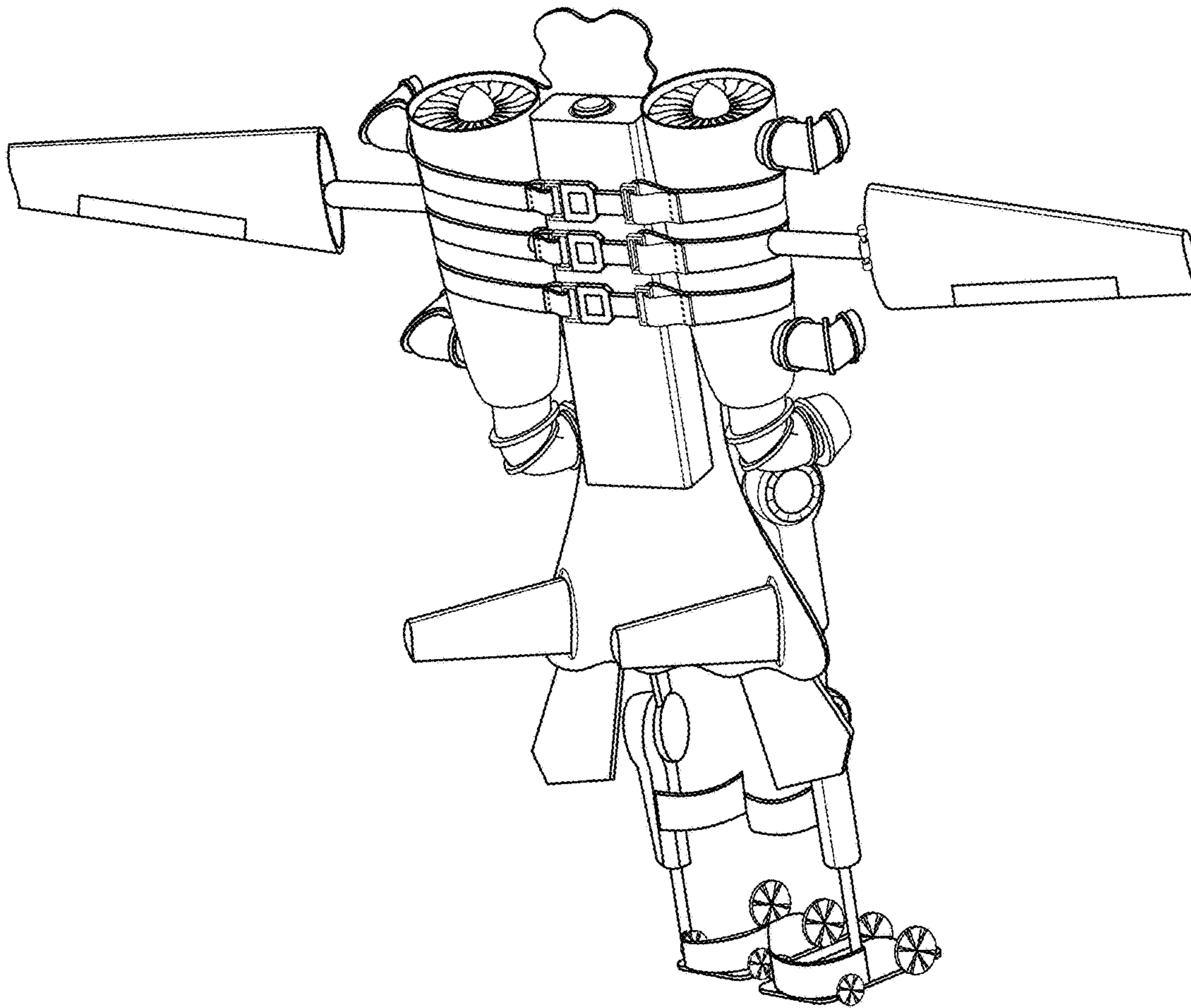


FIG. 1

FIG. 2



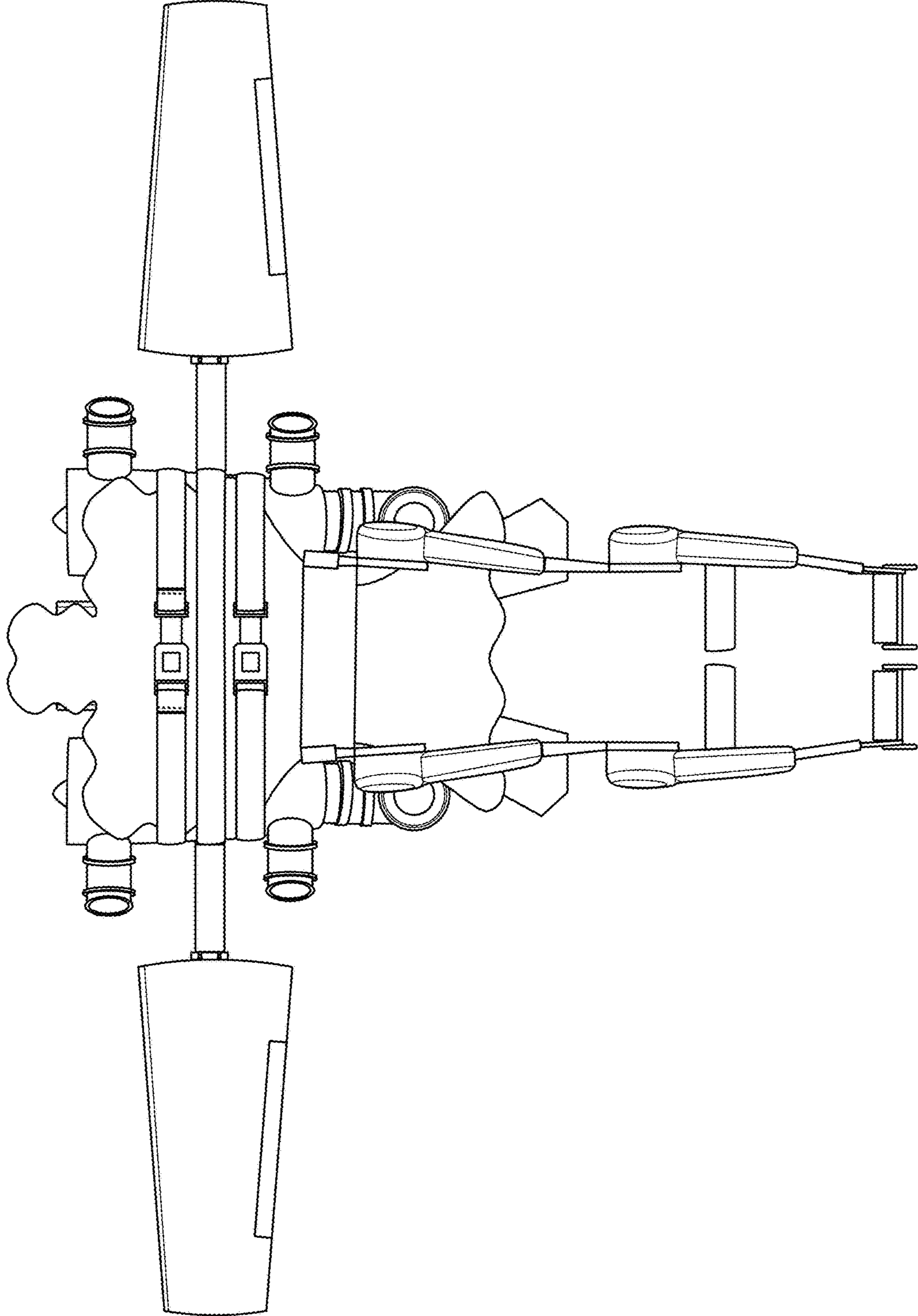


FIG. 3

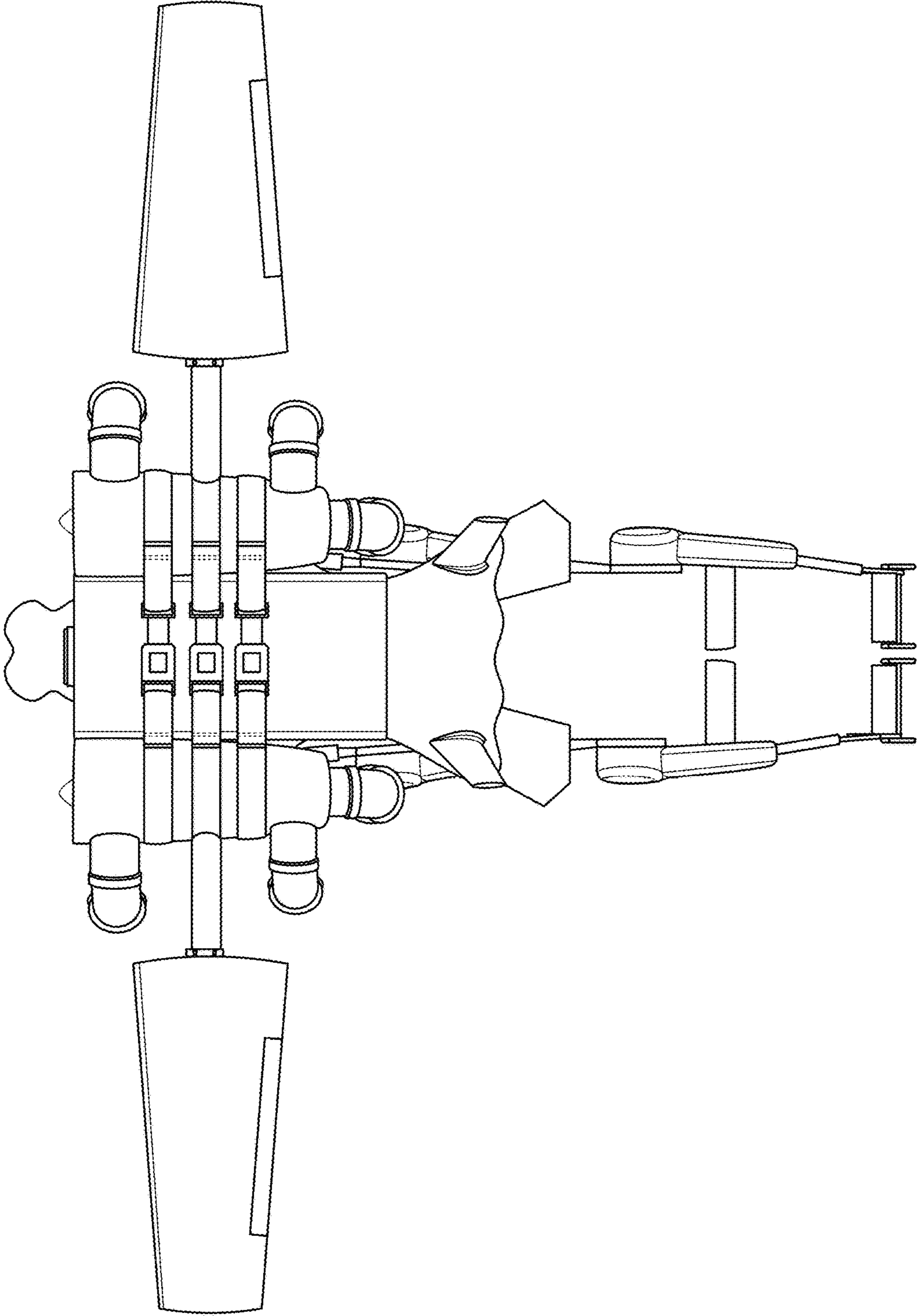


FIG. 4

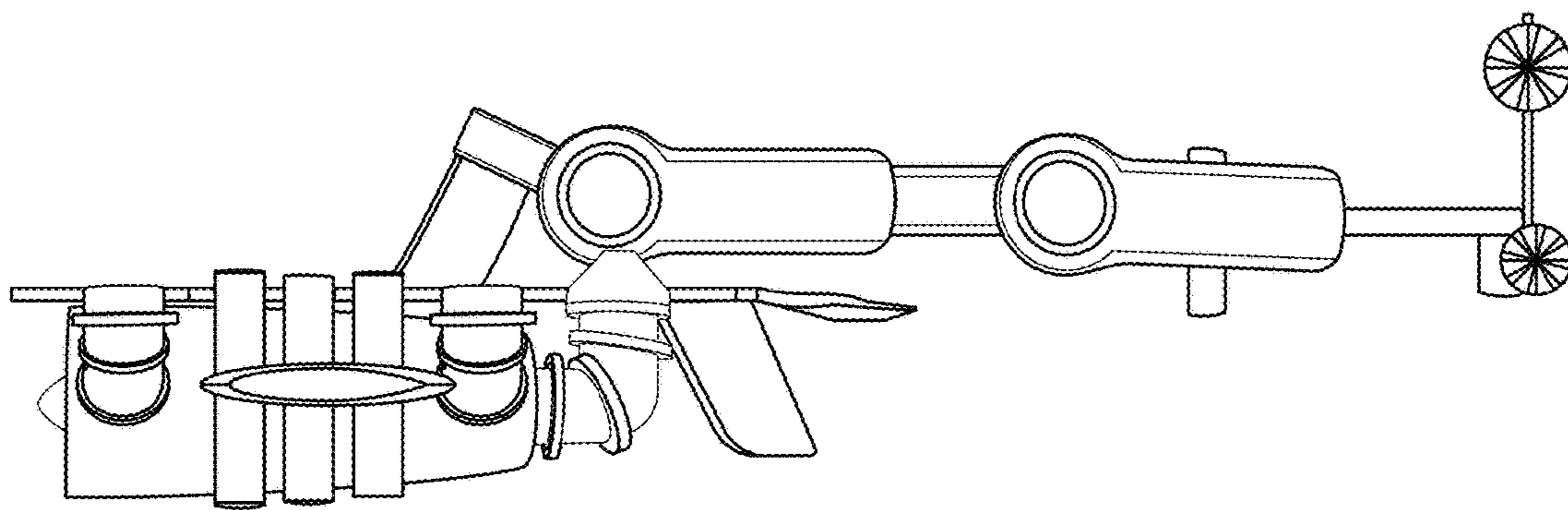


FIG. 5

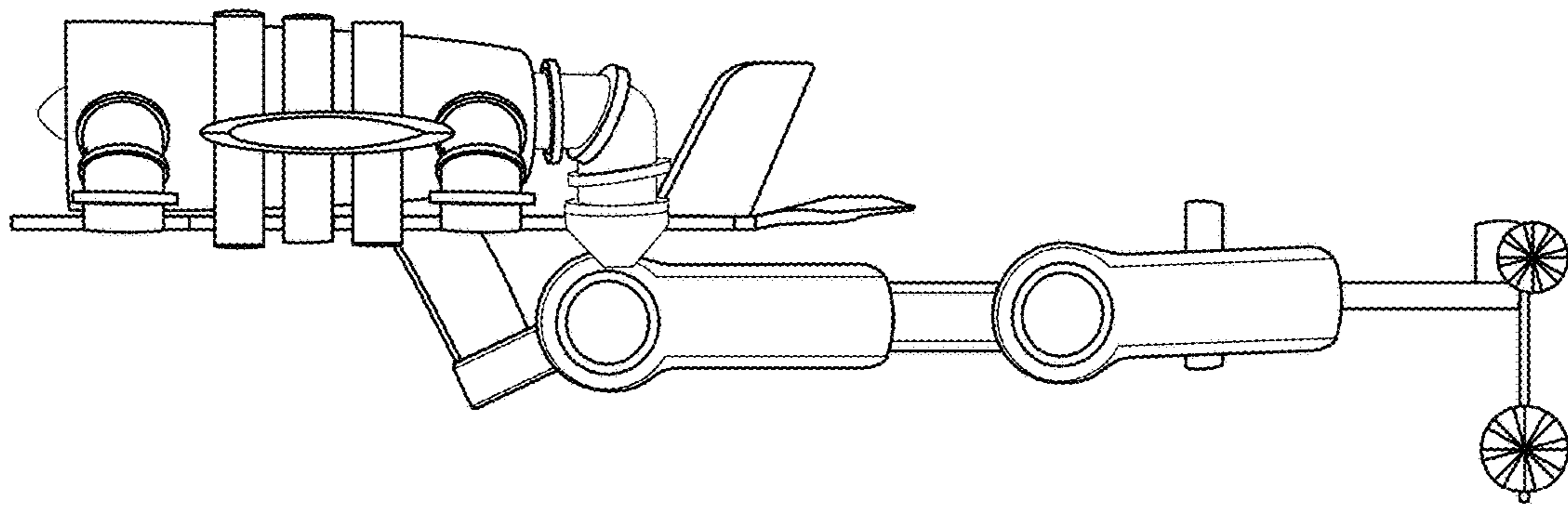


FIG. 6

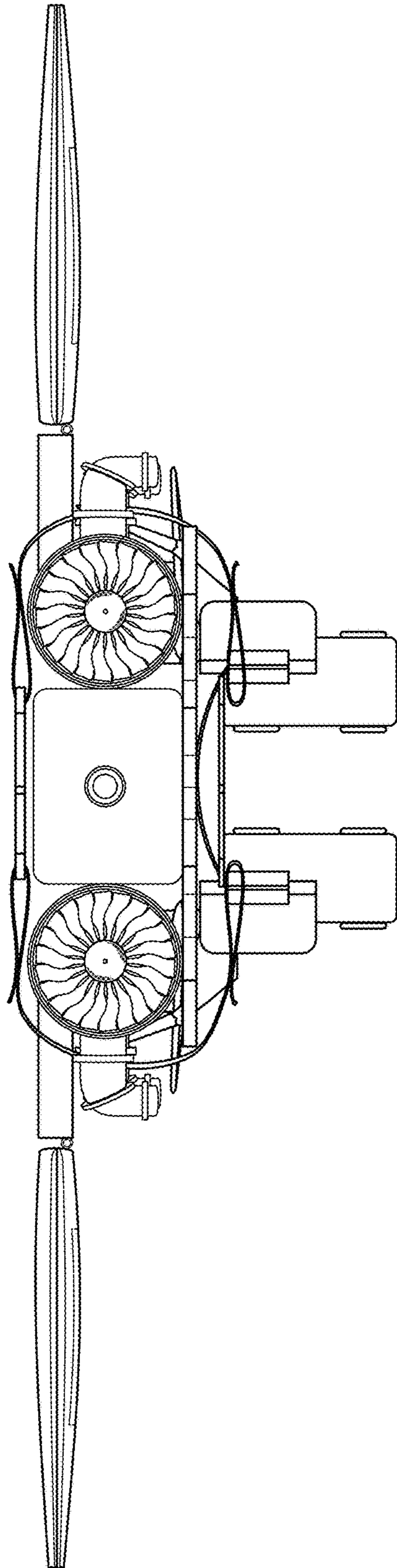


FIG. 7

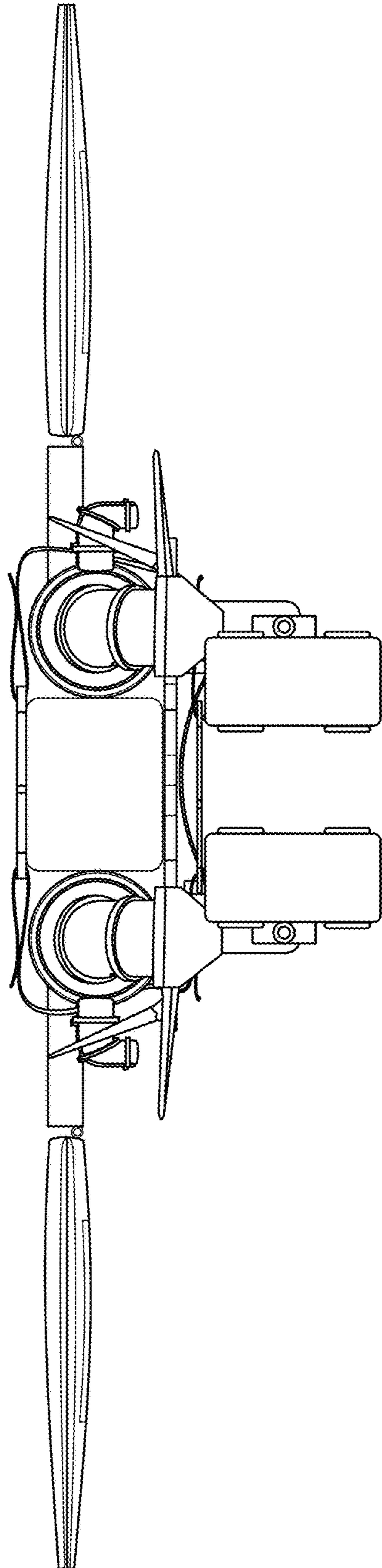


FIG. 8

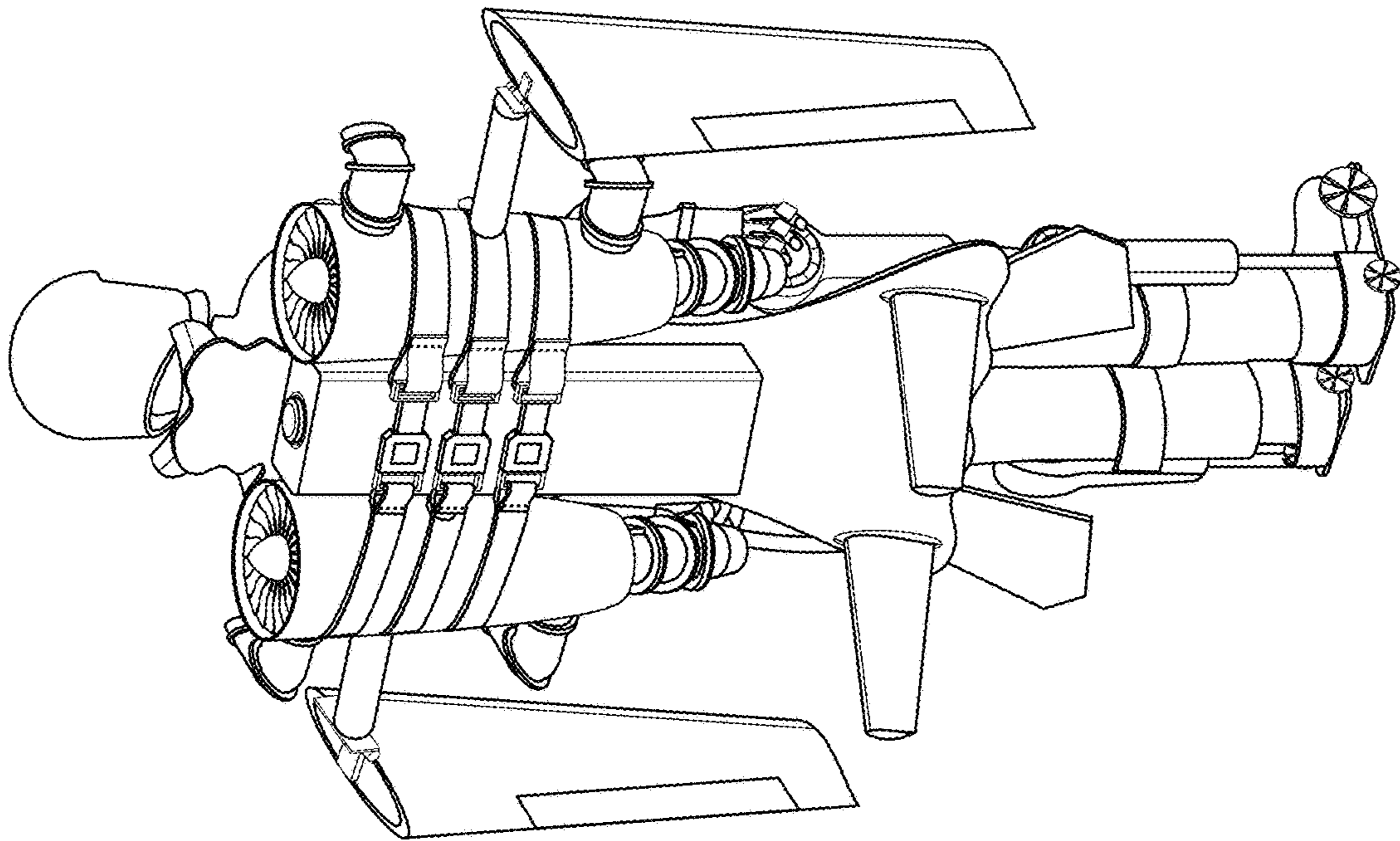


FIG. 9

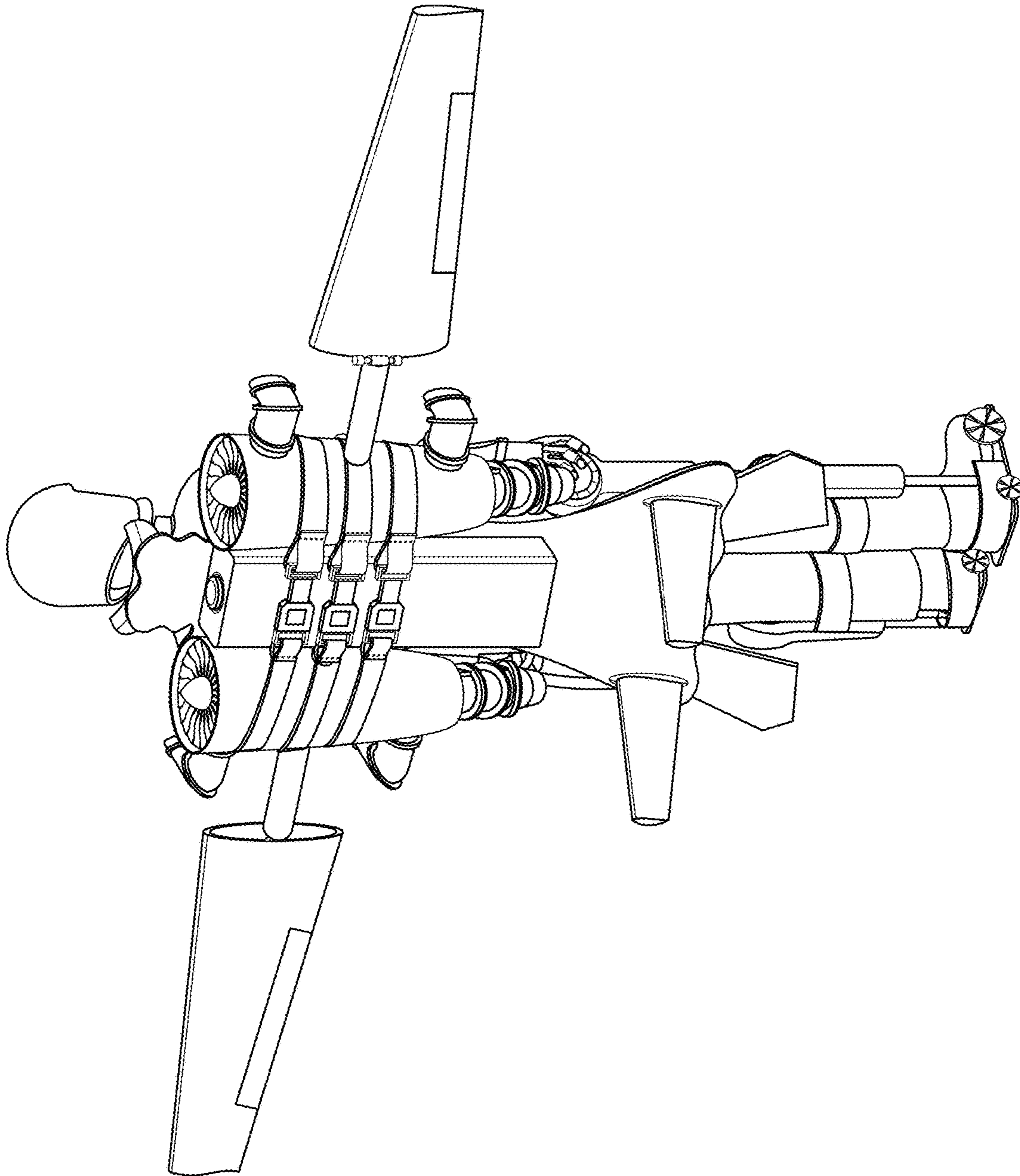


FIG. 10

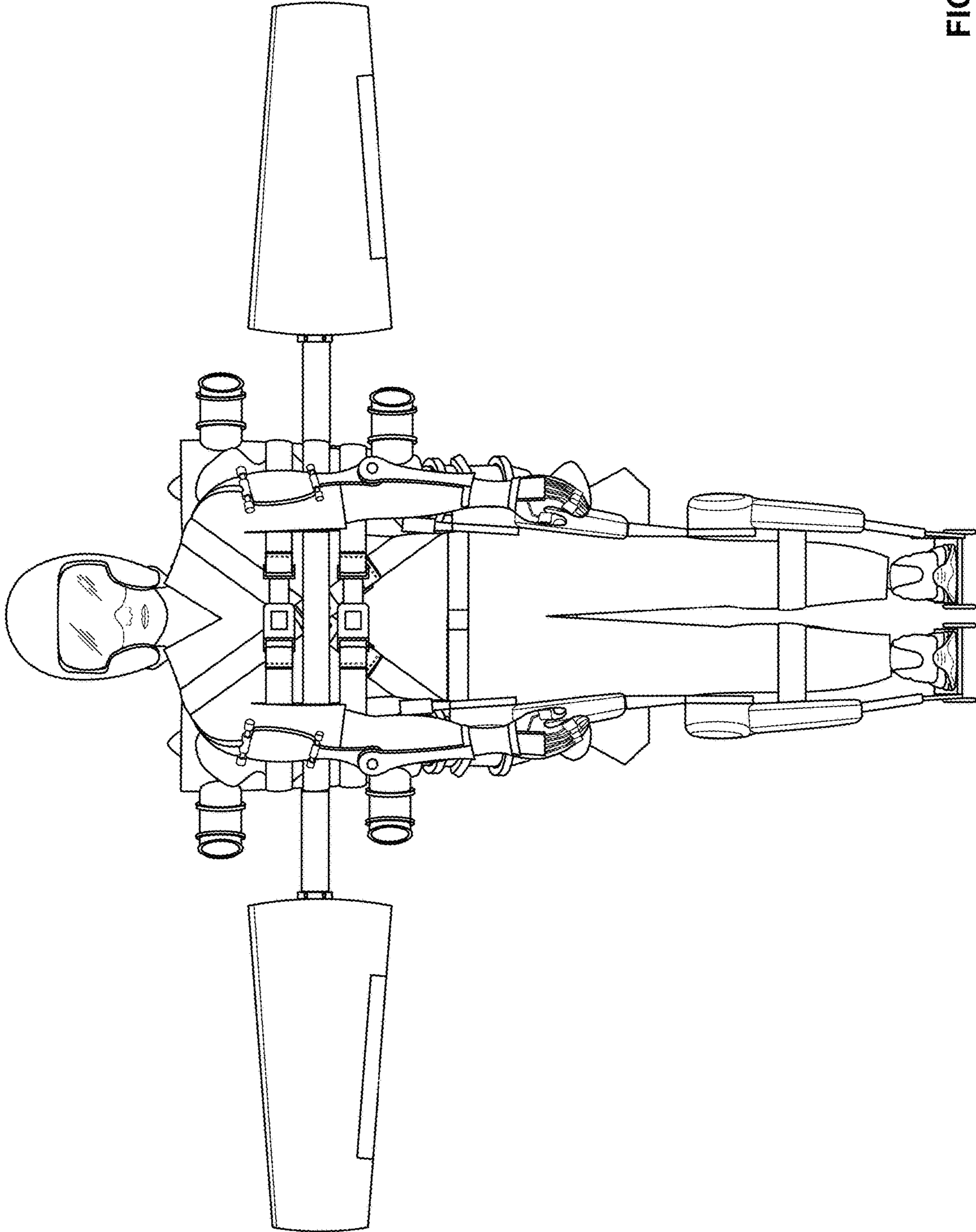


FIG. 11

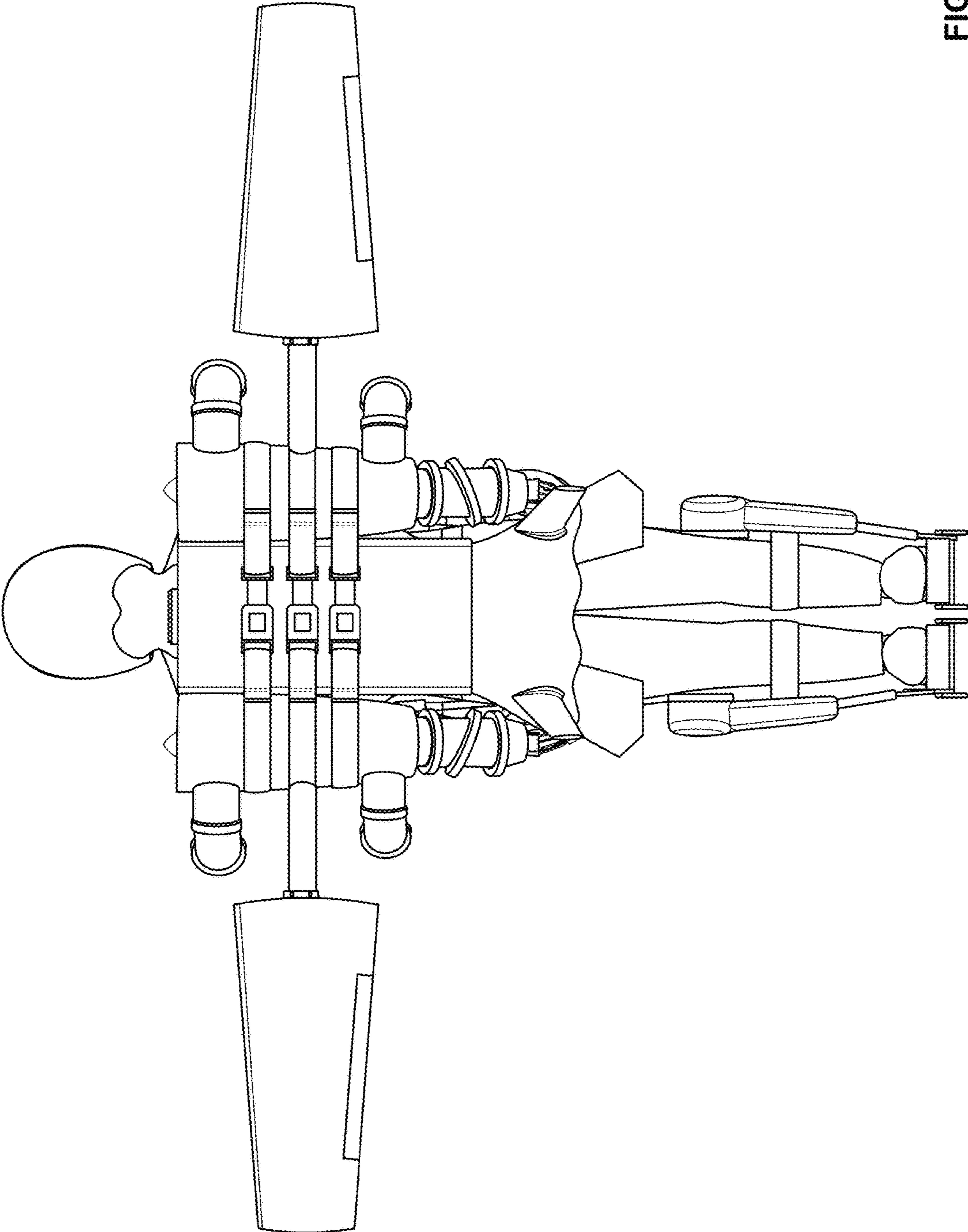


FIG. 12

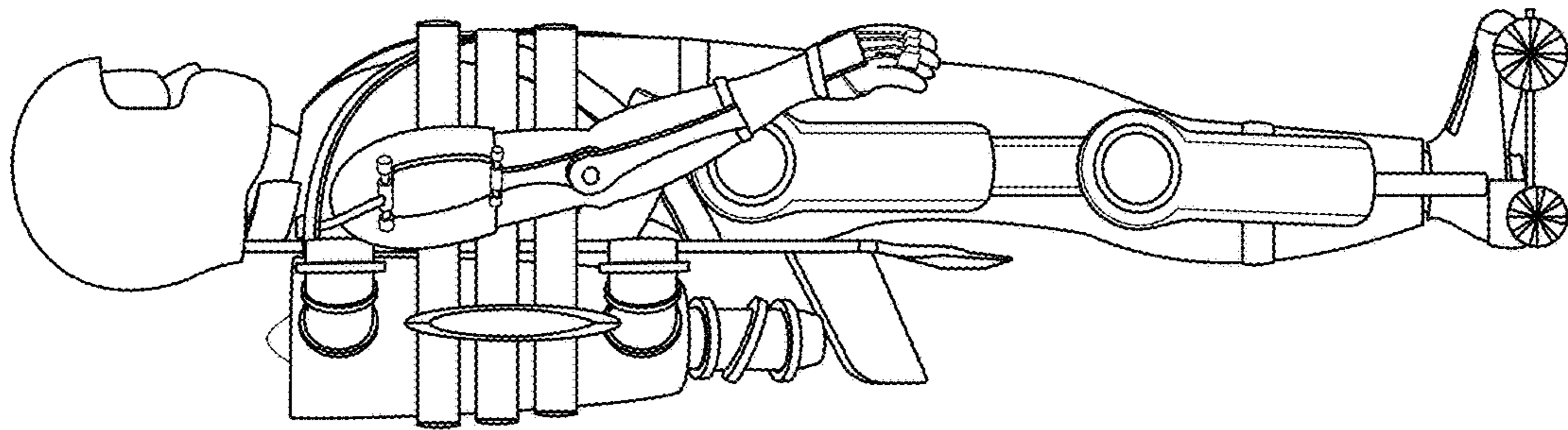


FIG. 13

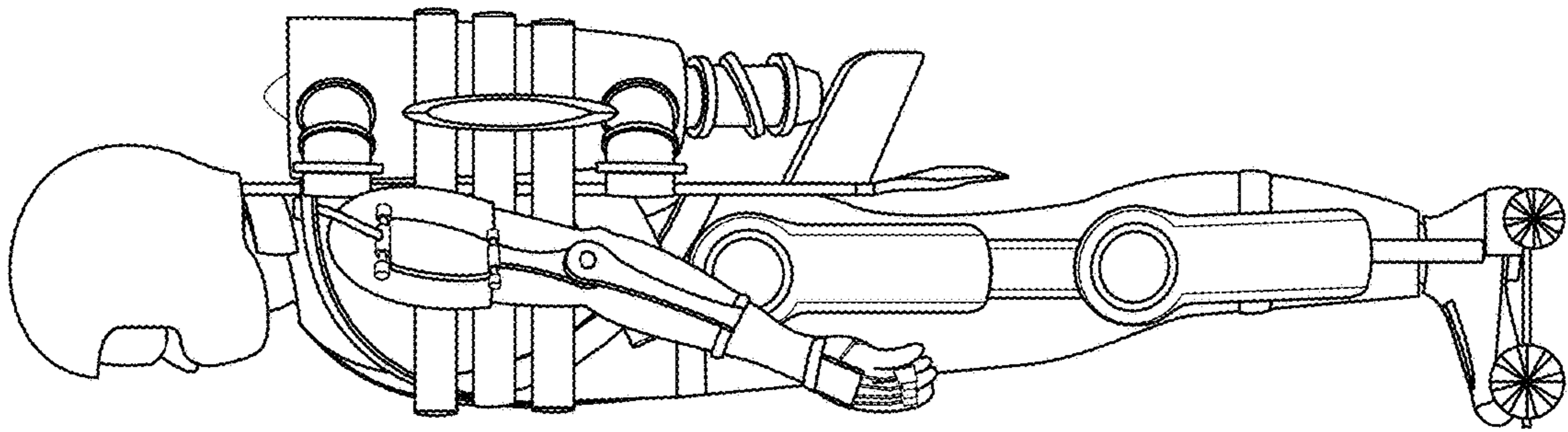


FIG. 14

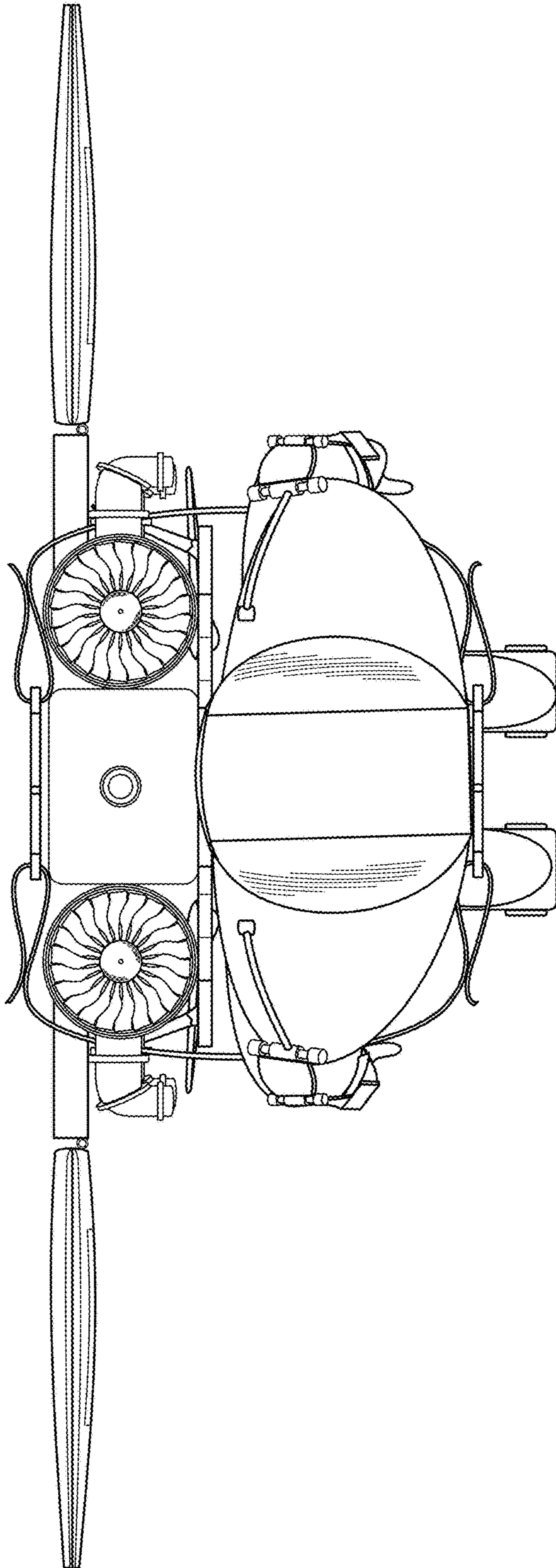


FIG. 15

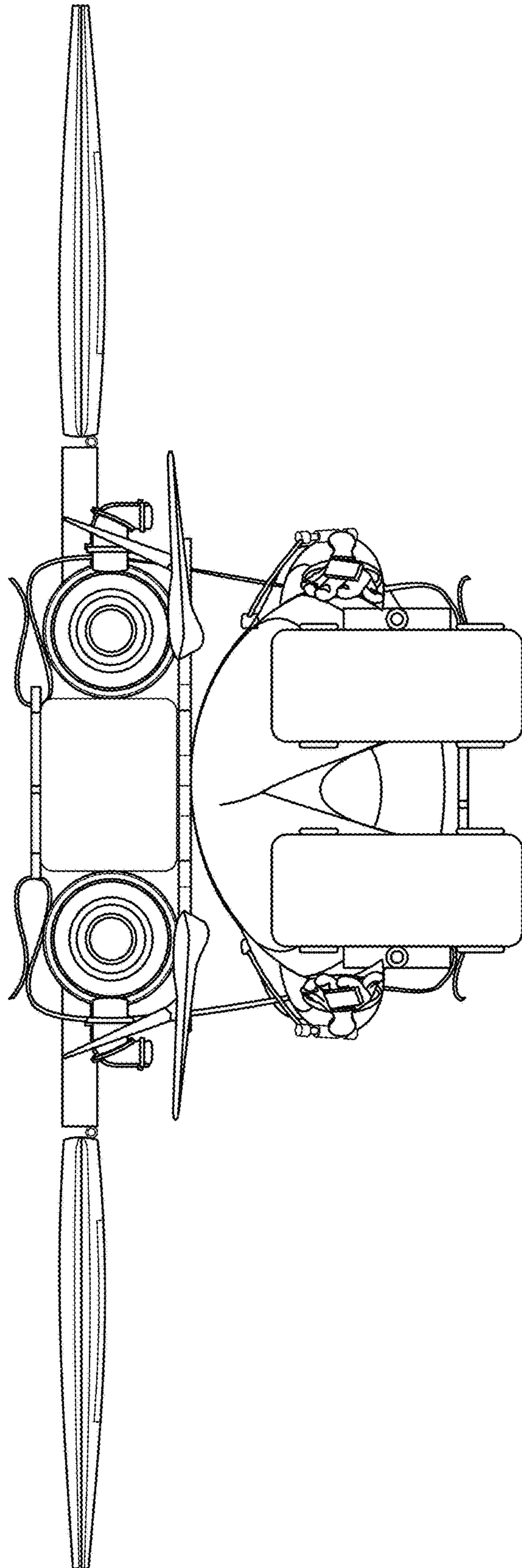


FIG. 16

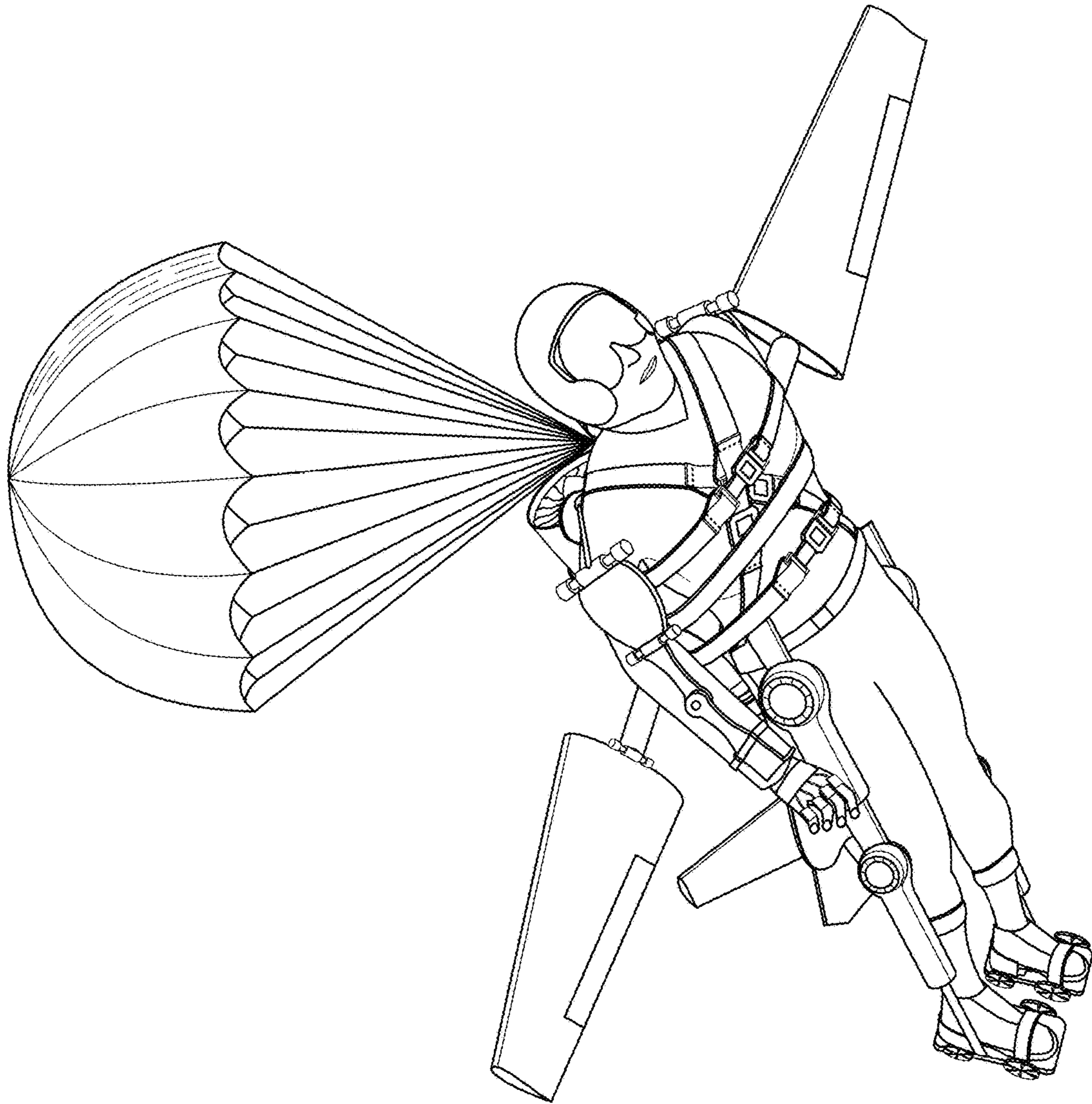


FIG. 17

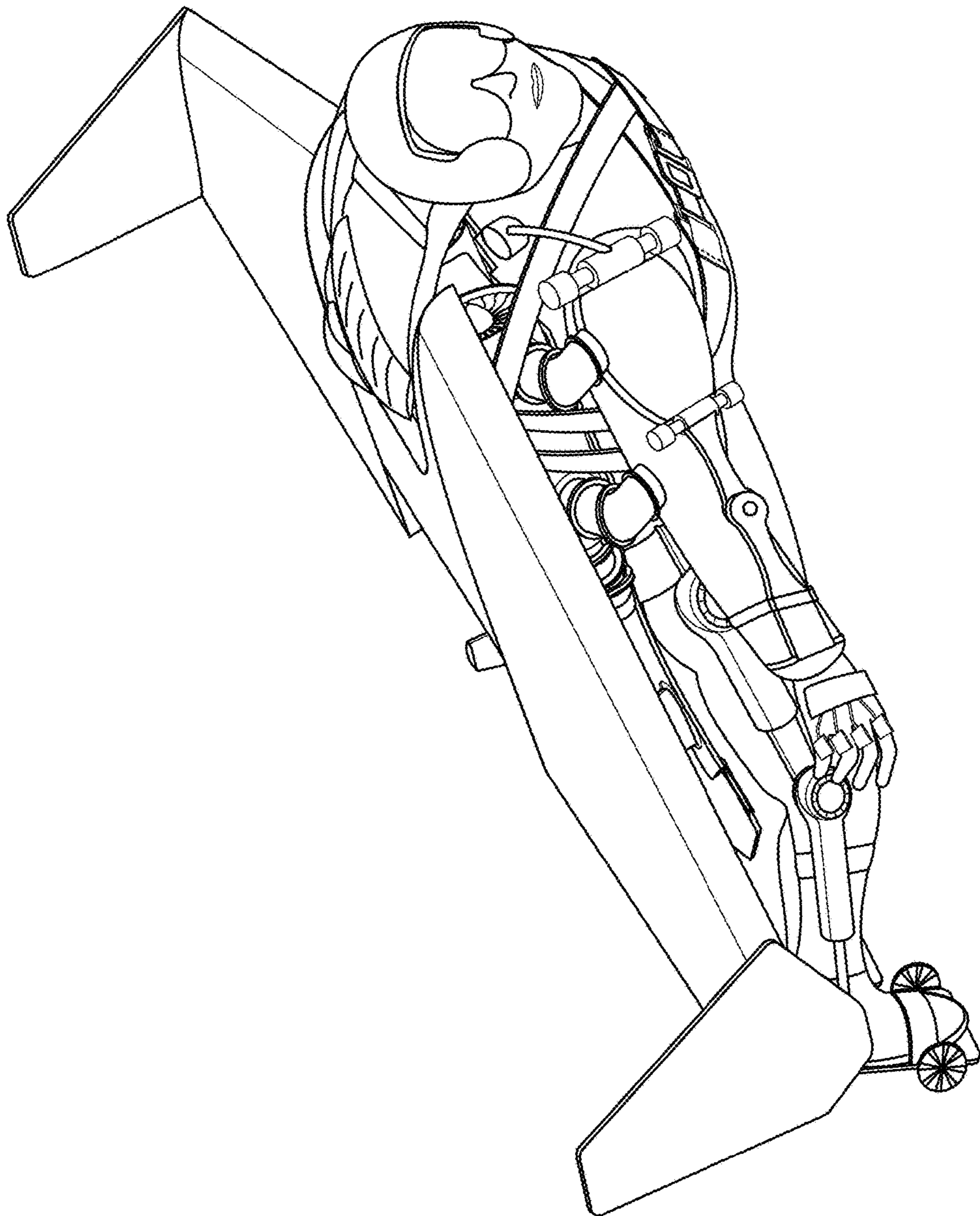


FIG. 18

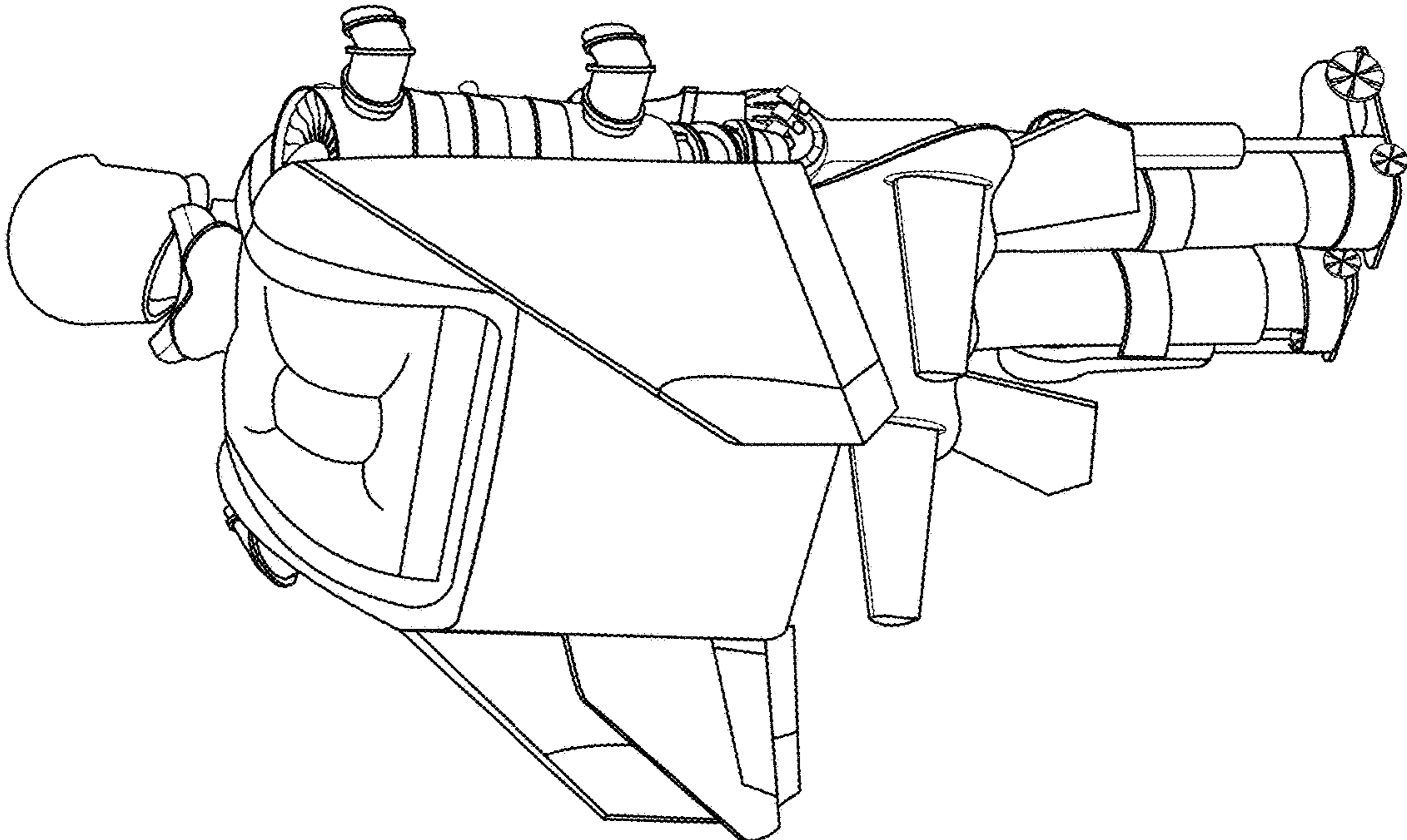


FIG. 19

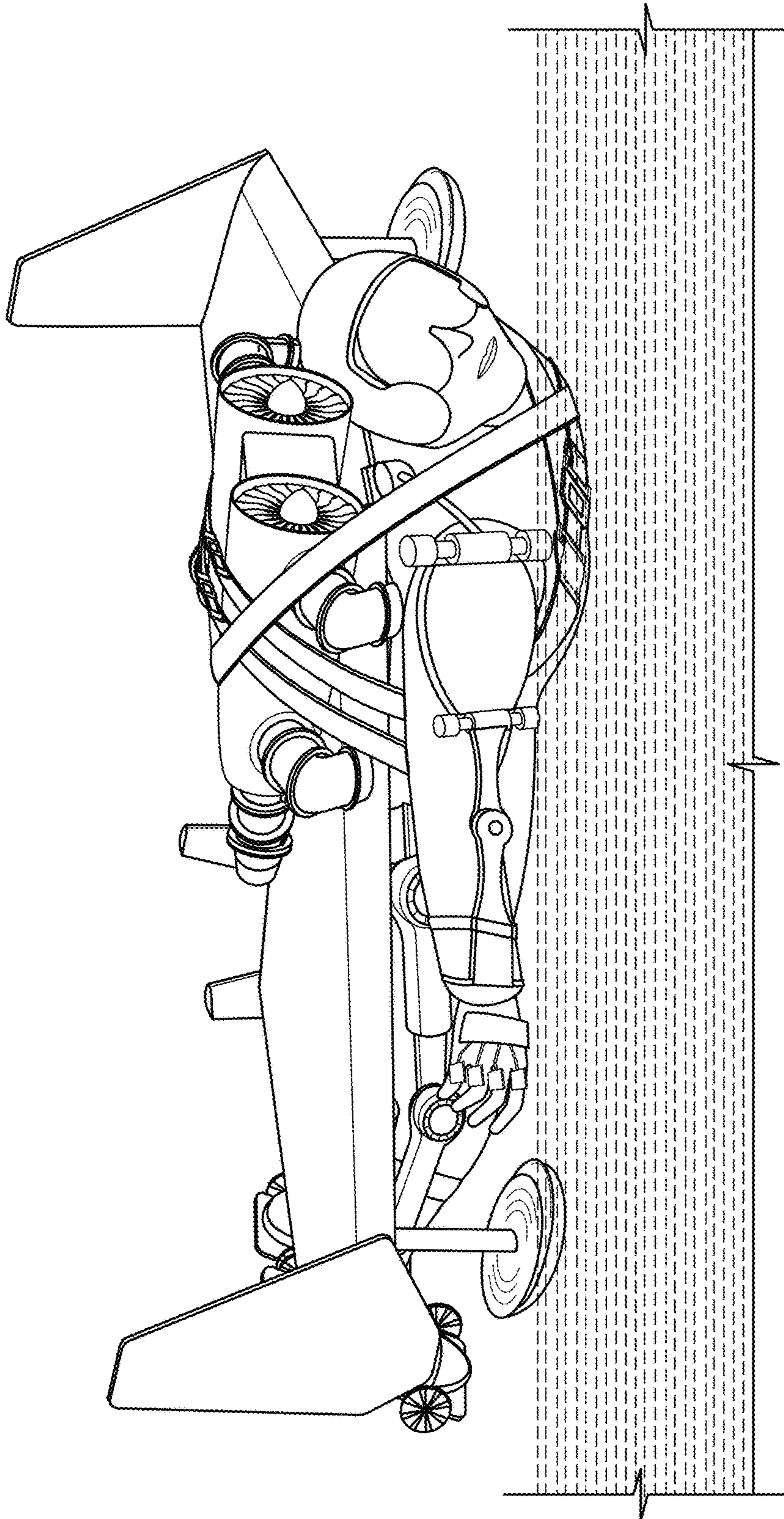


FIG. 20